



US00D774634S

(12) **United States Design Patent**
Hugues

(10) **Patent No.:** **US D774,634 S**

(45) **Date of Patent:** **** Dec. 20, 2016**

(54) **FILTER**

(71) Applicant: **Camfil AB**, Stockholm (SE)

(72) Inventor: **Mathieu Hugues**, Trosa (SE)

(73) Assignee: **CAMFIL AB**, Stockholm (SE)

(**) Term: **14 Years**

(21) Appl. No.: **29/521,600**

(22) Filed: **Mar. 25, 2015**

(30) **Foreign Application Priority Data**

Sep. 25, 2014 (EM) 002545392-0007

(51) **LOC (10) Cl.** **23-04**

(52) **U.S. Cl.**
USPC **D23/365**

(58) **Field of Classification Search**

USPC D23/355-365, 386-388, 314, 325,
D23/333-336; 55/478, 482, 483, 490,
55/497, 498, 520, 521, 529
CPC B01D 46/00; B01D 46/0004; B01D 27/04;
B01D 27/06; B01D 39/00

See application file for complete search history.

(56) **References Cited**

U.S. PATENT DOCUMENTS

D677,370 S * 3/2013 Handley D23/365
9,205,359 B2 * 12/2015 Kelmartin B01D 46/0002
2009/0193773 A1 * 8/2009 Sundvik B01D 46/125
55/478
2011/0289894 A1 * 12/2011 Nicholas B01D 46/023
55/486

* cited by examiner

Primary Examiner — Sandra Snapp

(74) *Attorney, Agent, or Firm* — Harness, Dickey & Pierce, P.L.C.

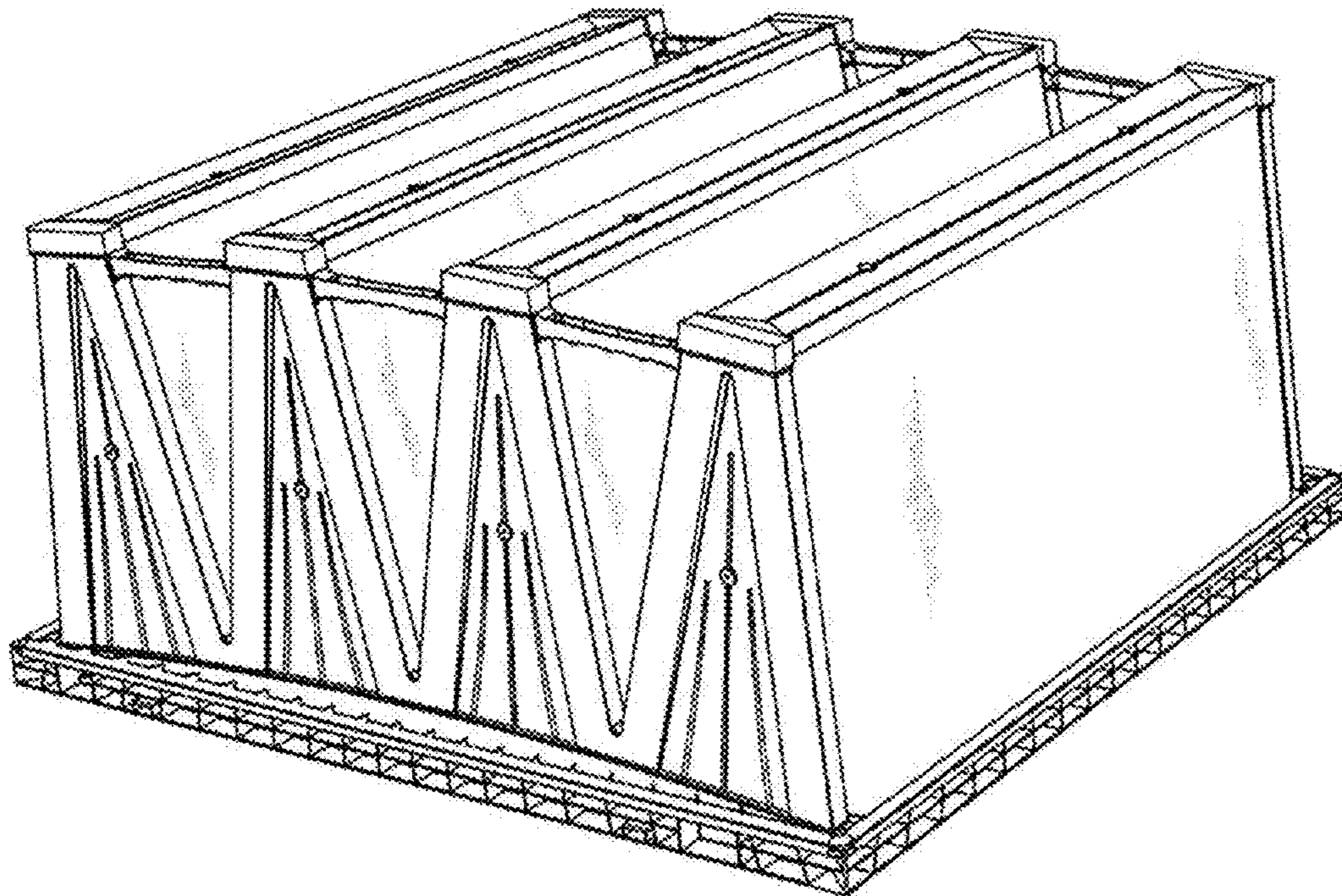
(57) **CLAIM**

The ornamental design for a filter, as shown.

DESCRIPTION

FIG. 1 is a perspective view obliquely from the rear of an embodiment of a filter, showing my new design; FIG. 2 is a perspective view obliquely from the front thereof; FIG. 3 is a top/bottom view thereof; FIG. 4 is a side view thereof; FIG. 5 is a rear view thereof; and, FIG. 6 is a front view thereof.

1 Claim, 6 Drawing Sheets



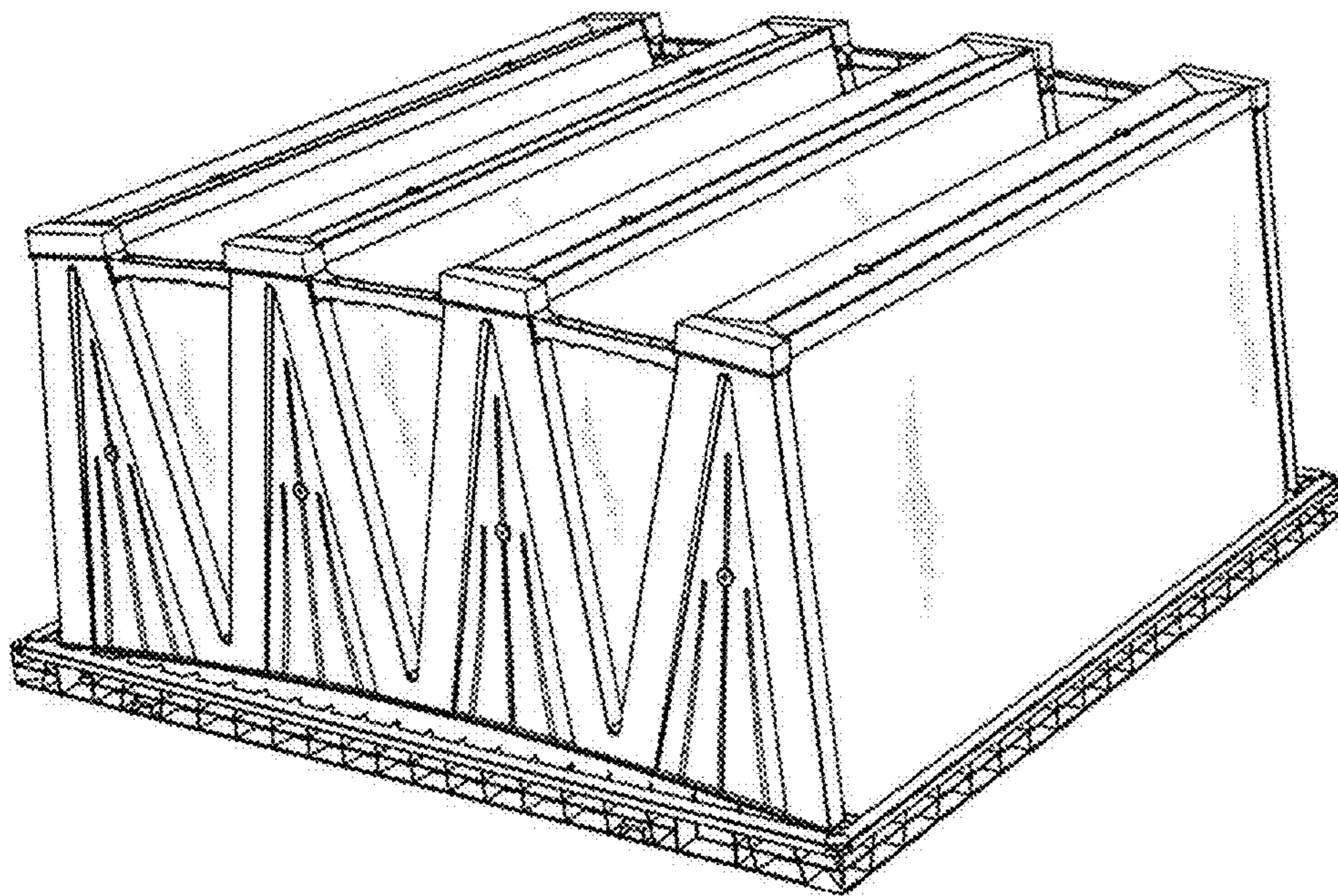


FIG. 1

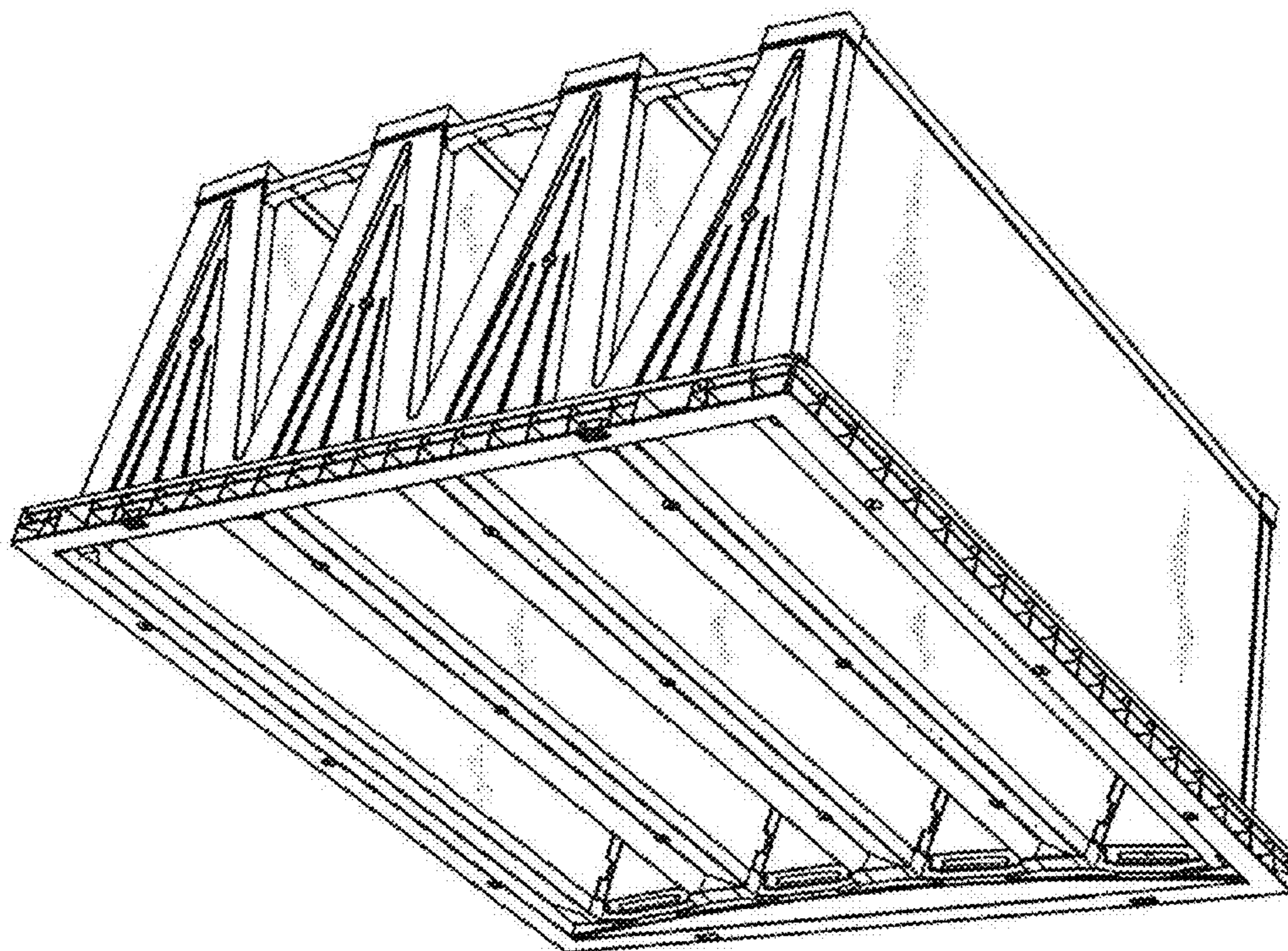


FIG. 2

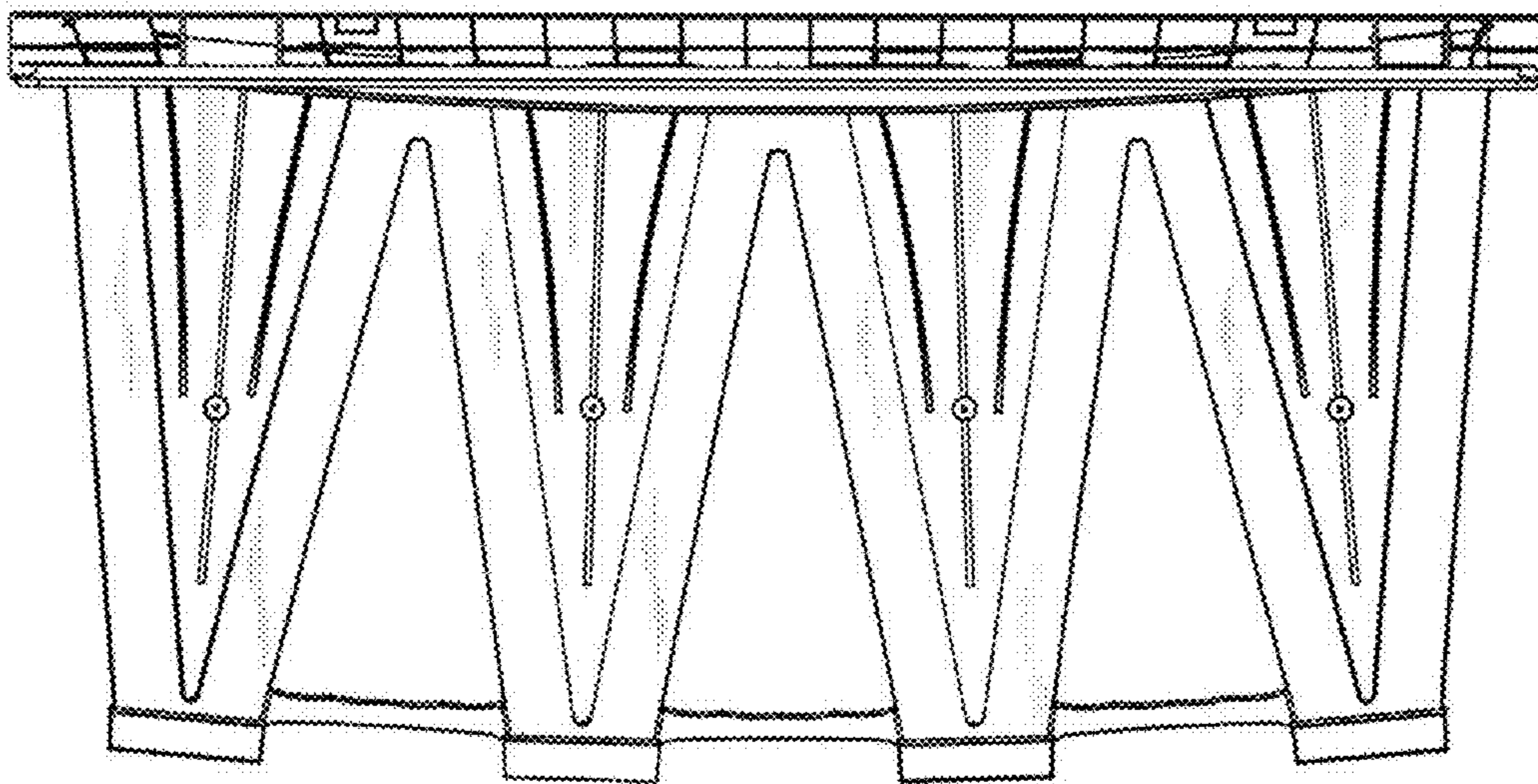


FIG. 3

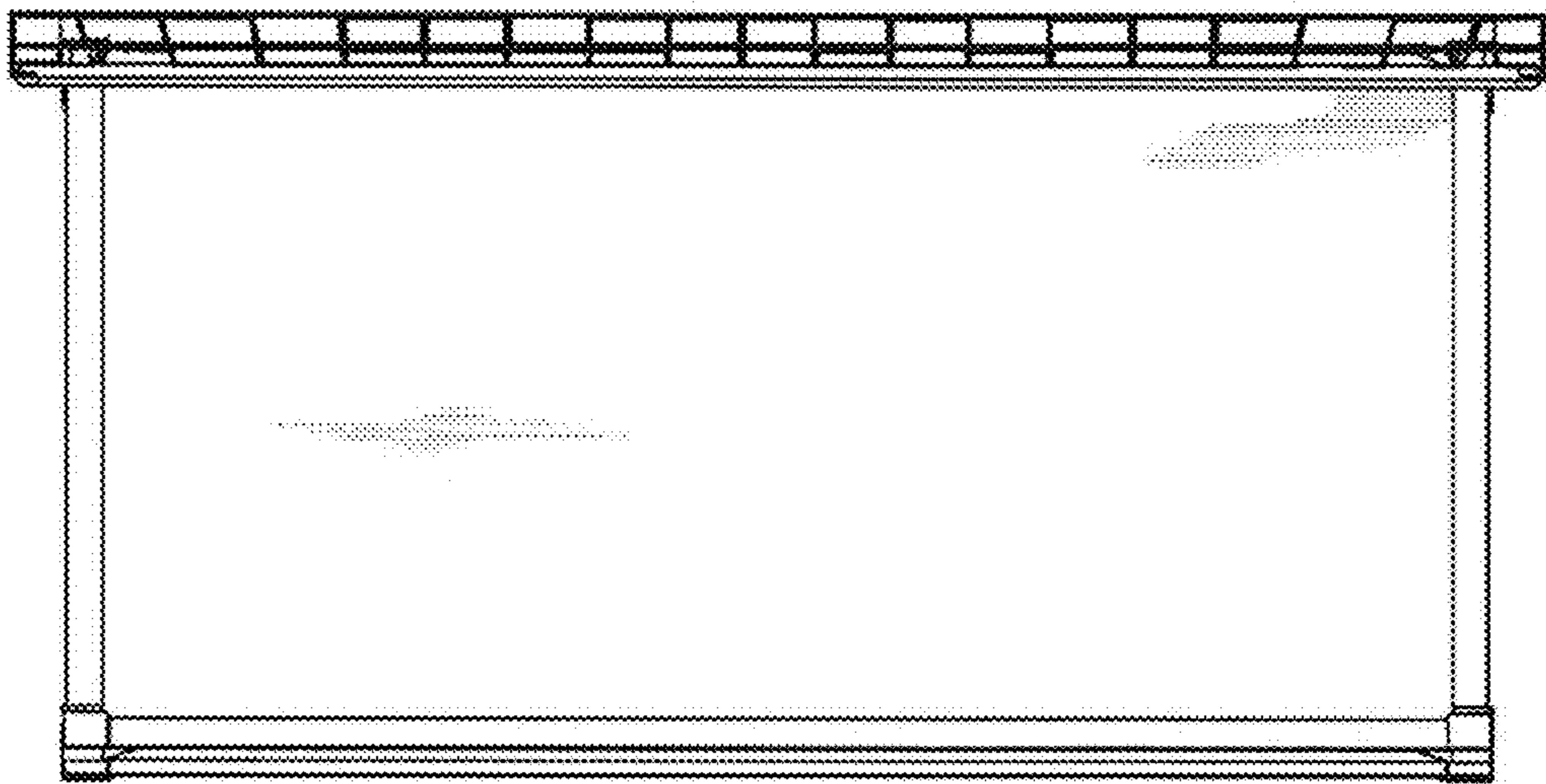


FIG. 4

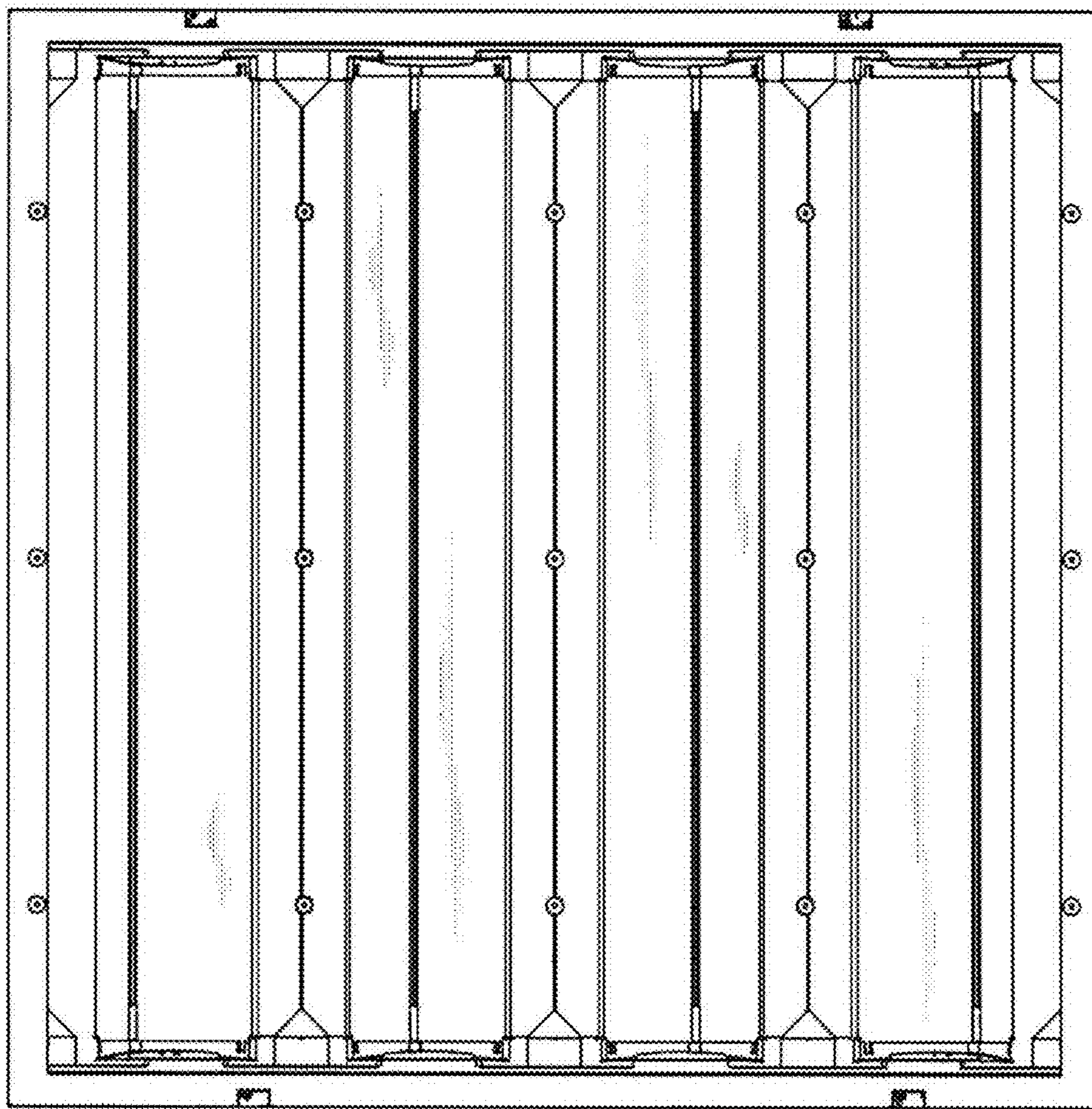


FIG. 5

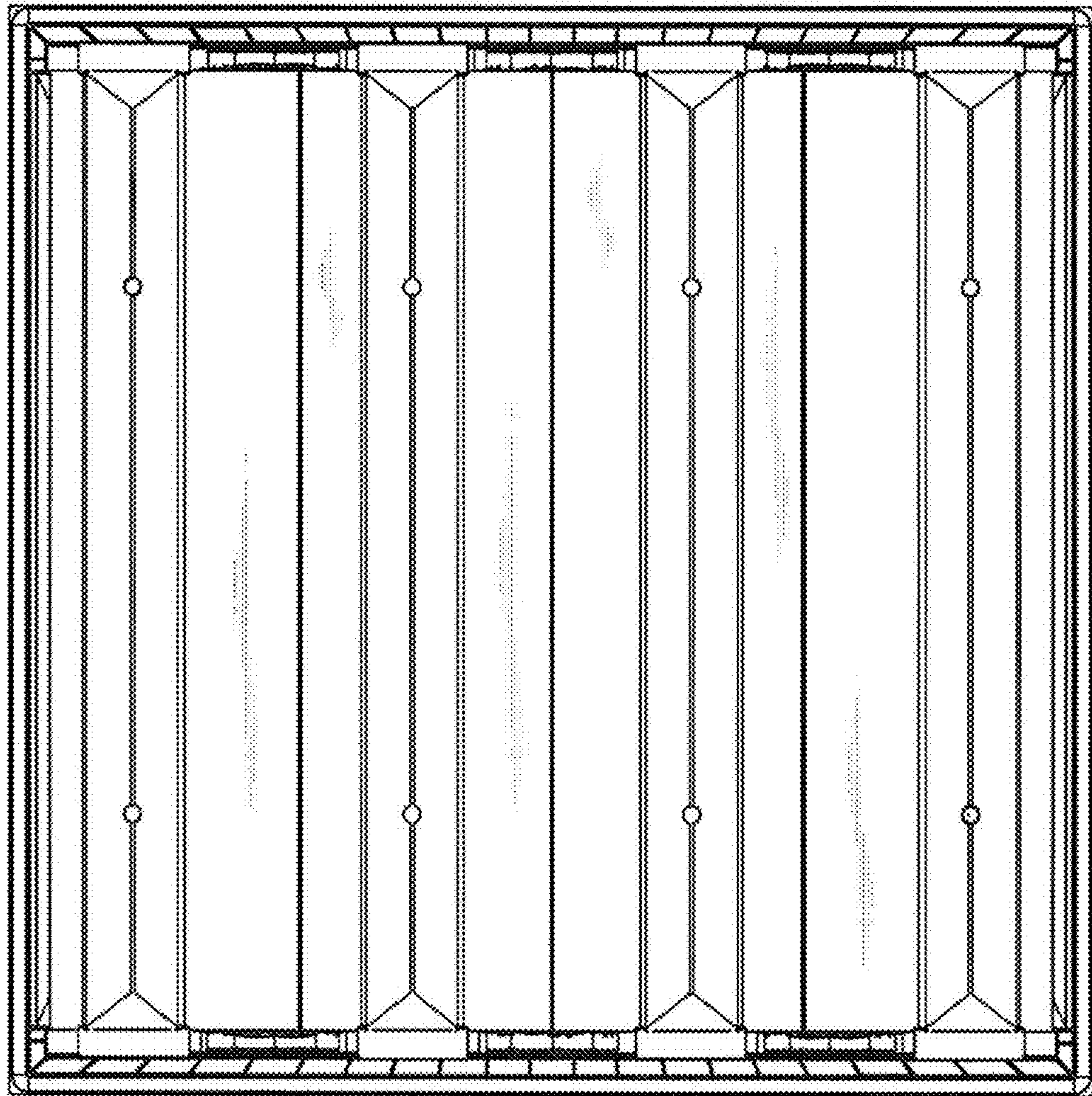


FIG. 6