



US00D774633S

(12) **United States Design Patent** (10) **Patent No.:** **US D774,633 S**
Garcia (45) **Date of Patent:** **** Dec. 20, 2016**

(54) **AIR CONDITIONING SYSTEM DRAIN PAN**

(71) Applicant: **Rheem Manufacturing Company,**
Atlanta, GA (US)

(72) Inventor: **Juan Manuel Garcia,** Torreon (MX)

(73) Assignee: **Rheem Manufacturing Company,**
Atlanta, GA (US)

(**) Term: **14 Years**

(21) Appl. No.: **29/500,386**

(22) Filed: **Aug. 25, 2014**

(51) **LOC (10) Cl.** **23-04**

(52) **U.S. Cl.**
USPC **D23/354**

(58) **Field of Classification Search**
USPC D15/89; D23/314, 317, 324, 325, 328,
D23/329, 330, 332, 333, 335, 341, 342,
D23/351, 353, 354, 355, 356, 357, 359,
D23/364, 365, 366, 370, 375, 379, 385,
D23/386, 388, 393, 499; D30/118, 161
CPC F24F 1/00; F24F 1/02; F24F 1/08;
F24F 1/42; F24F 1/46; F24F 1/60; F24F
1/0003; F24F 1/007; F24F 1/0011; F24F
3/044; F24F 3/048; F24F 3/16; F24F 7/00;
F24F 7/04; F24F 12/001; F24F 12/006;
F24F 13/20

See application file for complete search history.

(56) **References Cited**

U.S. PATENT DOCUMENTS

D142,904 S *	11/1945	Paddock	D15/89
2,511,189 A *	6/1950	Woodward	F16N 31/006 220/573
5,207,074 A	5/1993	Cox et al.		
D351,694 S *	10/1994	Evans	D30/161
D377,294 S *	1/1997	Brady	D30/161
5,791,156 A *	8/1998	Strautman	B60H 1/00364 296/38

D400,318 S *	10/1998	Lucas	D30/161
5,938,933 A	8/1999	Williams et al.		
5,966,959 A	10/1999	Stewart		
D417,549 S *	12/1999	Cassani	D3/304
6,102,086 A *	8/2000	Holtby	F16N 31/006 141/311 A
6,112,536 A	9/2000	Hansen		
6,343,480 B1	2/2002	Correa et al.		
D468,488 S *	1/2003	Weiping	D30/114
6,631,623 B1	10/2003	Ball		
D485,283 S *	1/2004	Shuck	D15/89
6,868,689 B1	3/2005	McNeil et al.		
6,978,909 B2	12/2005	Goetzinger et al.		

(Continued)

OTHER PUBLICATIONS

DiversiTech Product Catalog product subcategory for Drain Pans;
<http://www.diversitech.com/Product-Sub-Category>; Aug. 14, 2012.

Primary Examiner — Susan E Krakower
Assistant Examiner — Lisa A Grabenstetter
(74) *Attorney, Agent, or Firm* — Nelson Mullins Riley &
Scarborough, LLP

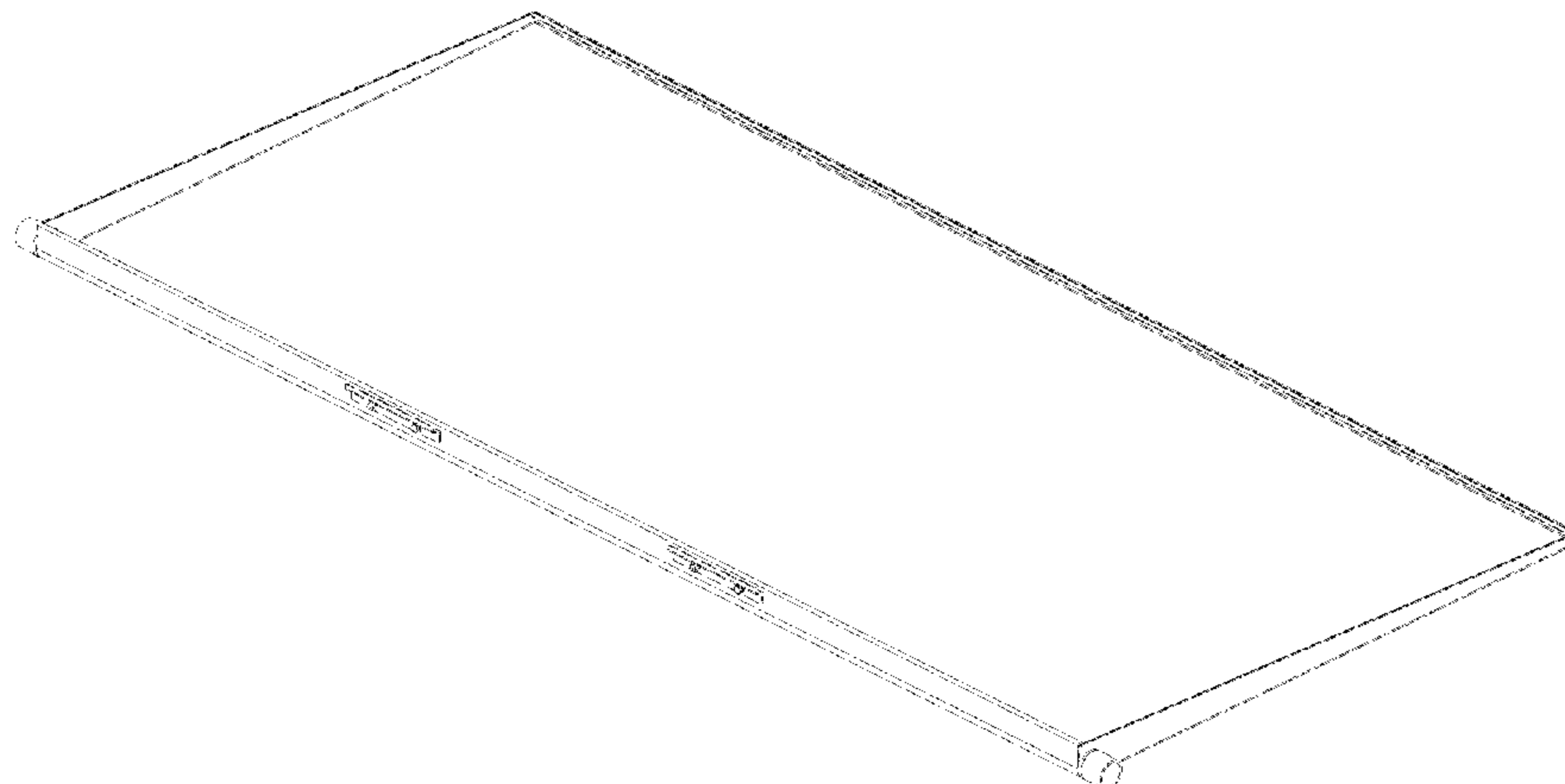
(57) **CLAIM**

The ornamental design for an air conditioning system drain pan, substantially as shown and described.

DESCRIPTION

FIG. 1 is a perspective view of an air conditioning system drain pan showing my new design;
FIG. 2 is an exploded perspective view thereof;
FIG. 3 is a top plan view thereof;
FIG. 4 is a bottom plan view thereof;
FIG. 5 is a left side view thereof;
FIG. 6 is a right side view thereof;
FIG. 7 is a front view thereof; and,
FIG. 8 is a rear view thereof.
The broken lines in FIG. 2 show the relationship of hardware to the air conditioning system drain pan only and form no part of the claimed design.

1 Claim, 6 Drawing Sheets



(56)

References Cited

U.S. PATENT DOCUMENTS

7,010,928	B2	3/2006	Spanger	
D550,042	S *	9/2007	Chapple	D7/397
7,430,877	B2	10/2008	Davenport et al.	
7,721,565	B2	5/2010	Williams et al.	
7,878,019	B2	2/2011	Cantolino	
2004/0250841	A1	12/2004	Kimbrough et al.	
2008/0134705	A1	6/2008	Cushen	
2010/0133138	A1 *	6/2010	Fox	G09F 23/06 206/459.5
2010/0175408	A1 *	7/2010	Korda	F16N 31/002 62/291
2011/0011114	A1	1/2011	Higa	
2012/0159981	A1	6/2012	Beck et al.	
2013/0139537	A1	6/2013	Kuijt et al.	
2015/0153064	A1	6/2015	Mercer et al.	
2015/0153094	A1	6/2015	Mercer et al.	
2015/0153095	A1	6/2015	Mercer et al.	
2015/0153096	A1	6/2015	Mercer et al.	

* cited by examiner

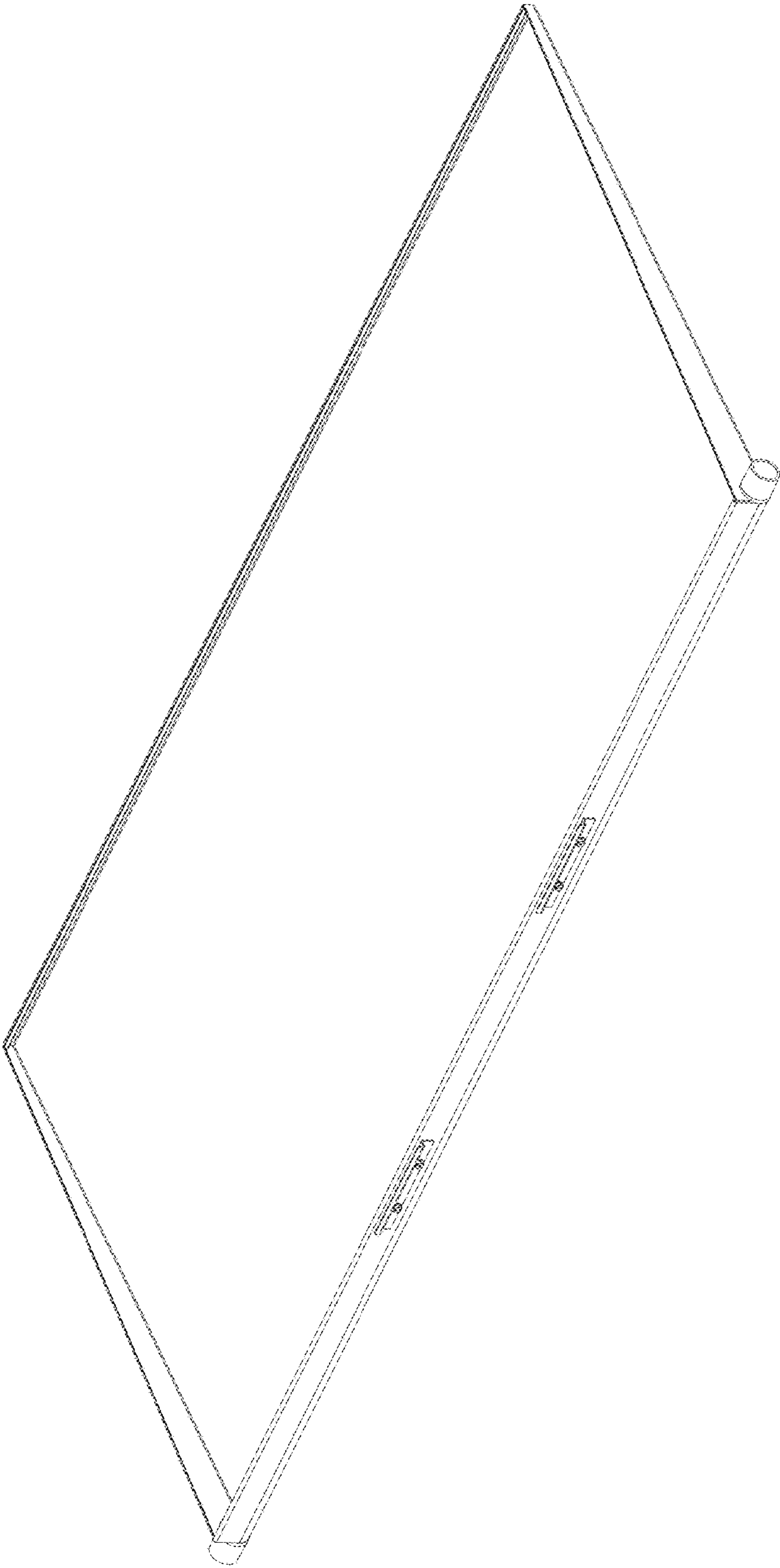


FIG. 1

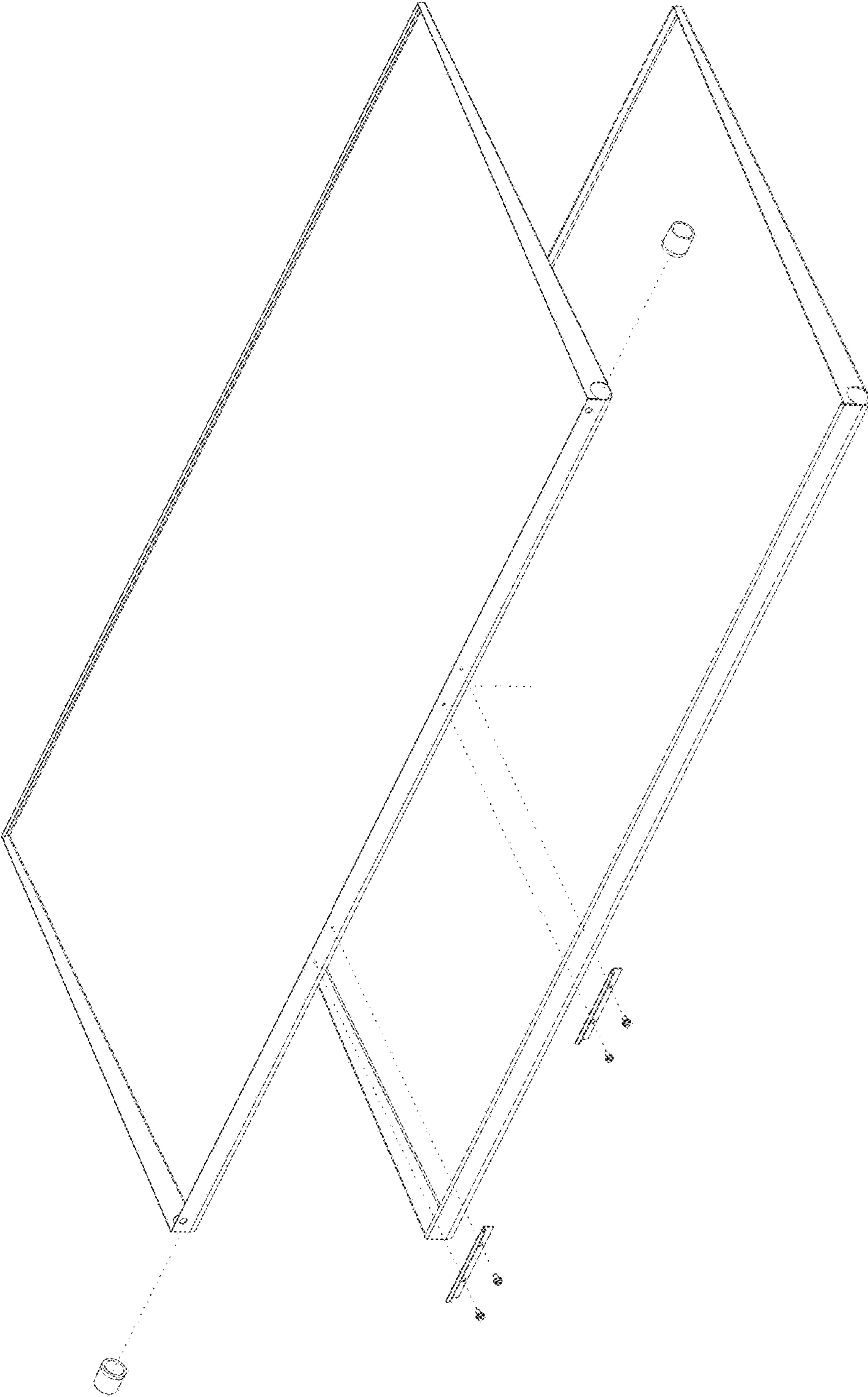


FIG. 2

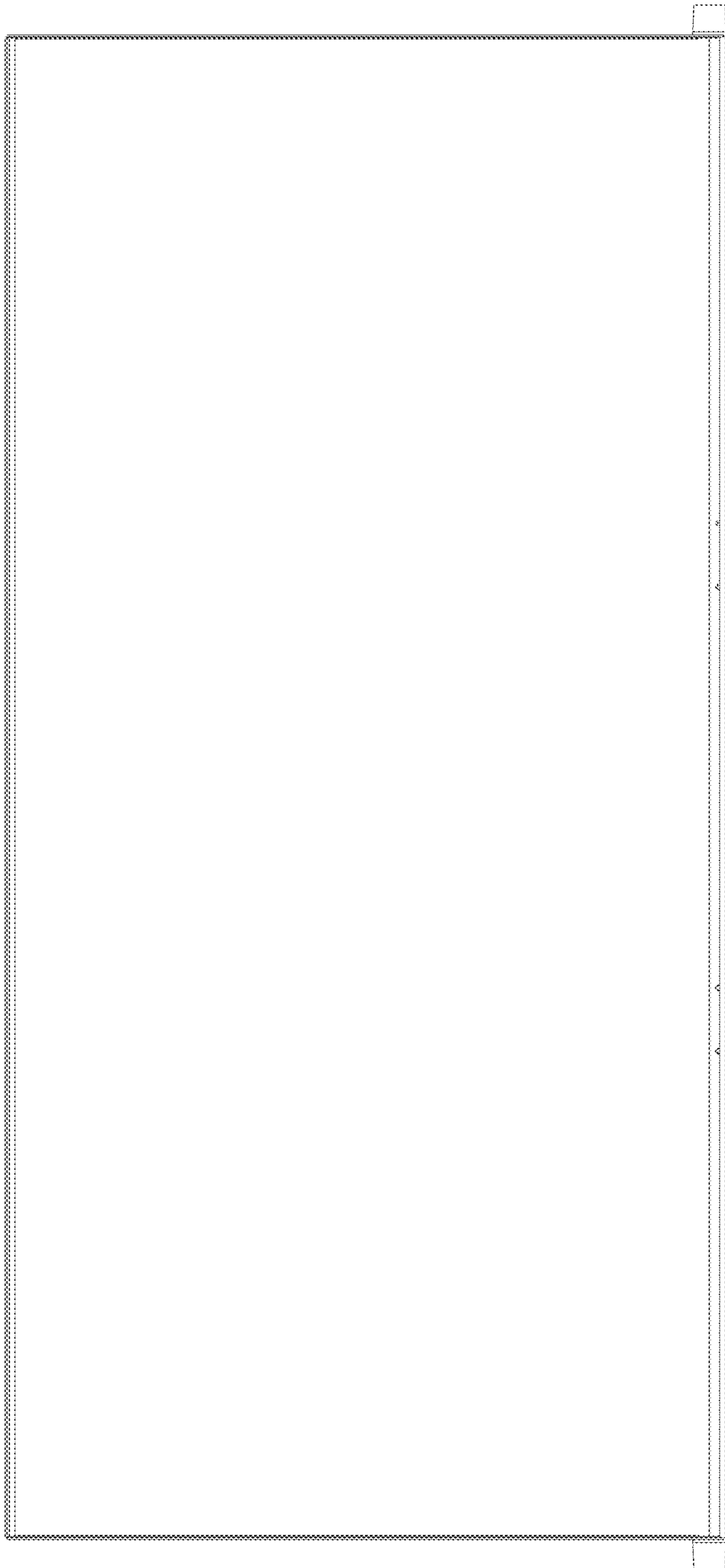


FIG. 3

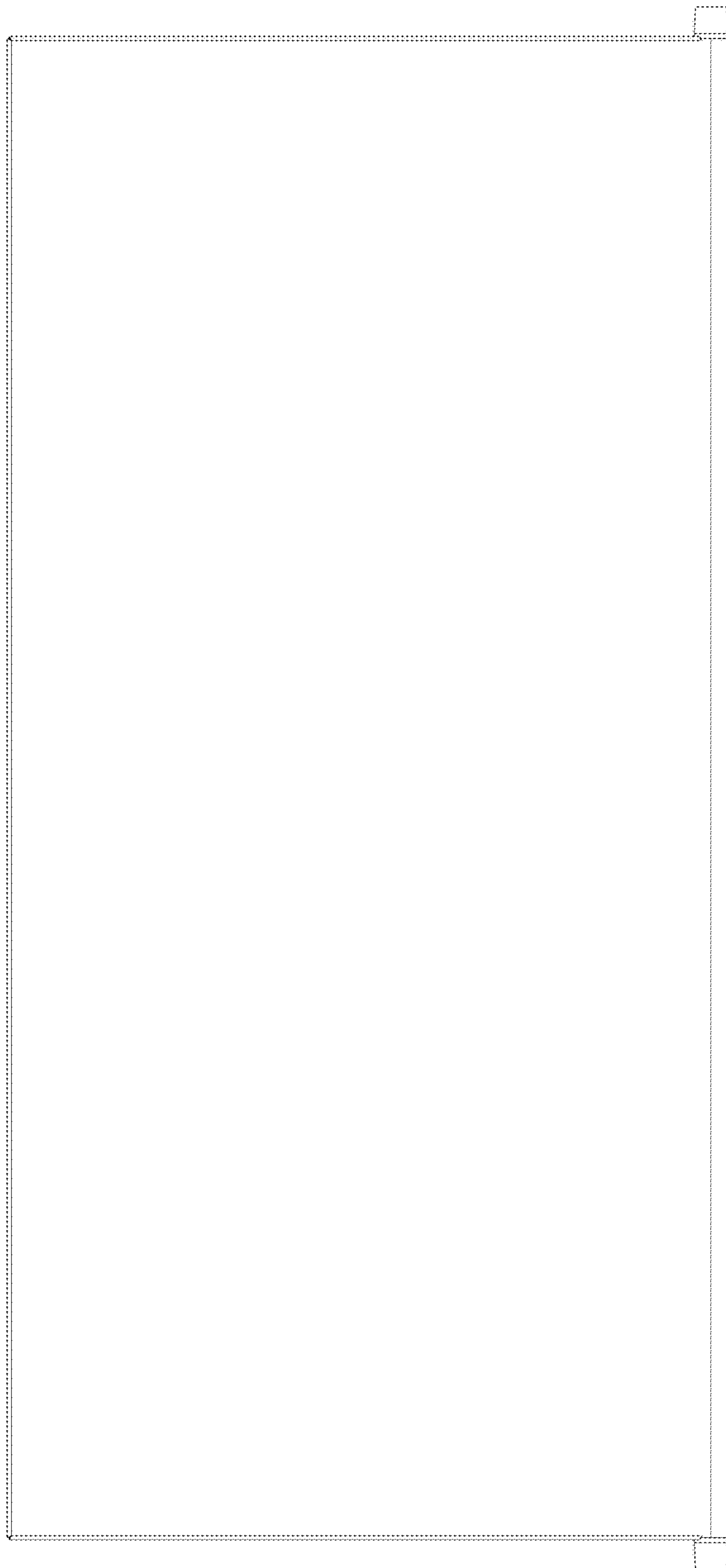


FIG. 4

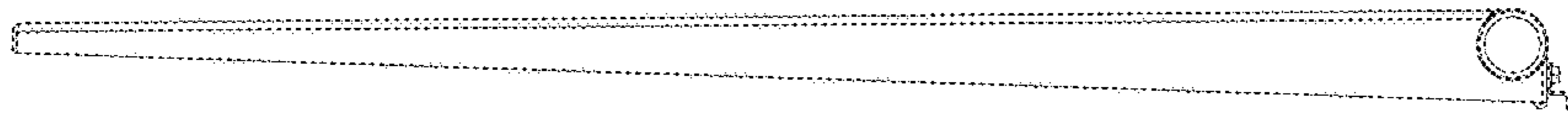


FIG. 6

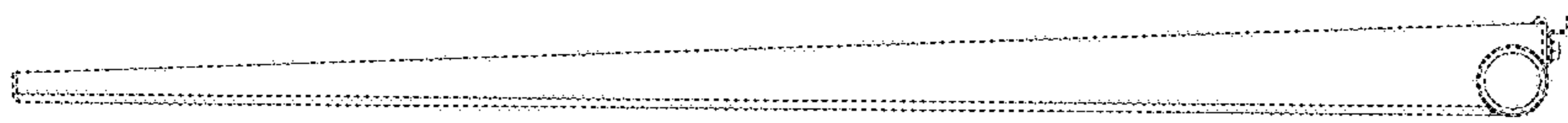


FIG. 5

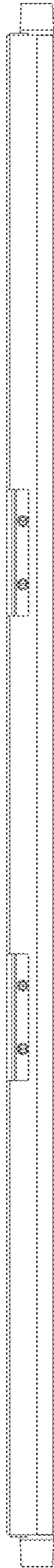


FIG. 7

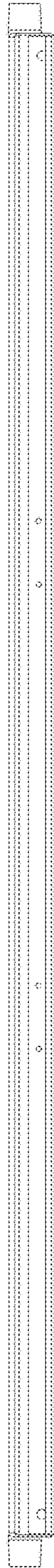


FIG. 8