



US00D774631S

(12) **United States Design Patent** (10) **Patent No.:** **US D774,631 S**  
**Bricko et al.** (45) **Date of Patent:** **\*\* Dec. 20, 2016**

- (54) **HEATED BOX FOR ICE FISHING**
- (71) Applicants: **Joseph Thomas Bricko**, Farmington, MN (US); **Thomas K Bricko**, Northfield, MN (US)
- (72) Inventors: **Joseph Thomas Bricko**, Farmington, MN (US); **Thomas K Bricko**, Northfield, MN (US)
- (\*\*) Term: **14 Years**
- (21) Appl. No.: **29/526,374**
- (22) Filed: **May 8, 2015**
- (51) **LOC (10) Cl.** ..... **23-03**
- (52) **U.S. Cl.**  
USPC ..... **D23/317**
- (58) **Field of Classification Search**  
USPC ..... D23/317, 314, 320, 329, 332; 248/534; 126/271.2 R, 9 R, 116 B; D22/134, 136, D22/199, 147  
CPC ..... A01K 97/01; A01K 97/00; A01K 99/00  
See application file for complete search history.

- 5,598,656 A \* 2/1997 Strasser ..... A01K 97/01 43/17  
6,088,945 A \* 7/2000 Sanderfoot ..... A01K 97/01 126/271.1  
2008/0006260 A1\* 1/2008 Godbout ..... A01K 97/01 126/204  
2012/0210626 A1\* 8/2012 Manlick ..... A01K 97/01 43/4.5

\* cited by examiner

*Primary Examiner* — T. Chase Nelson  
*Assistant Examiner* — Ania Aman

(74) *Attorney, Agent, or Firm* — Geiser Law, PLLC; Greg N. Geiser

(57) **CLAIM**

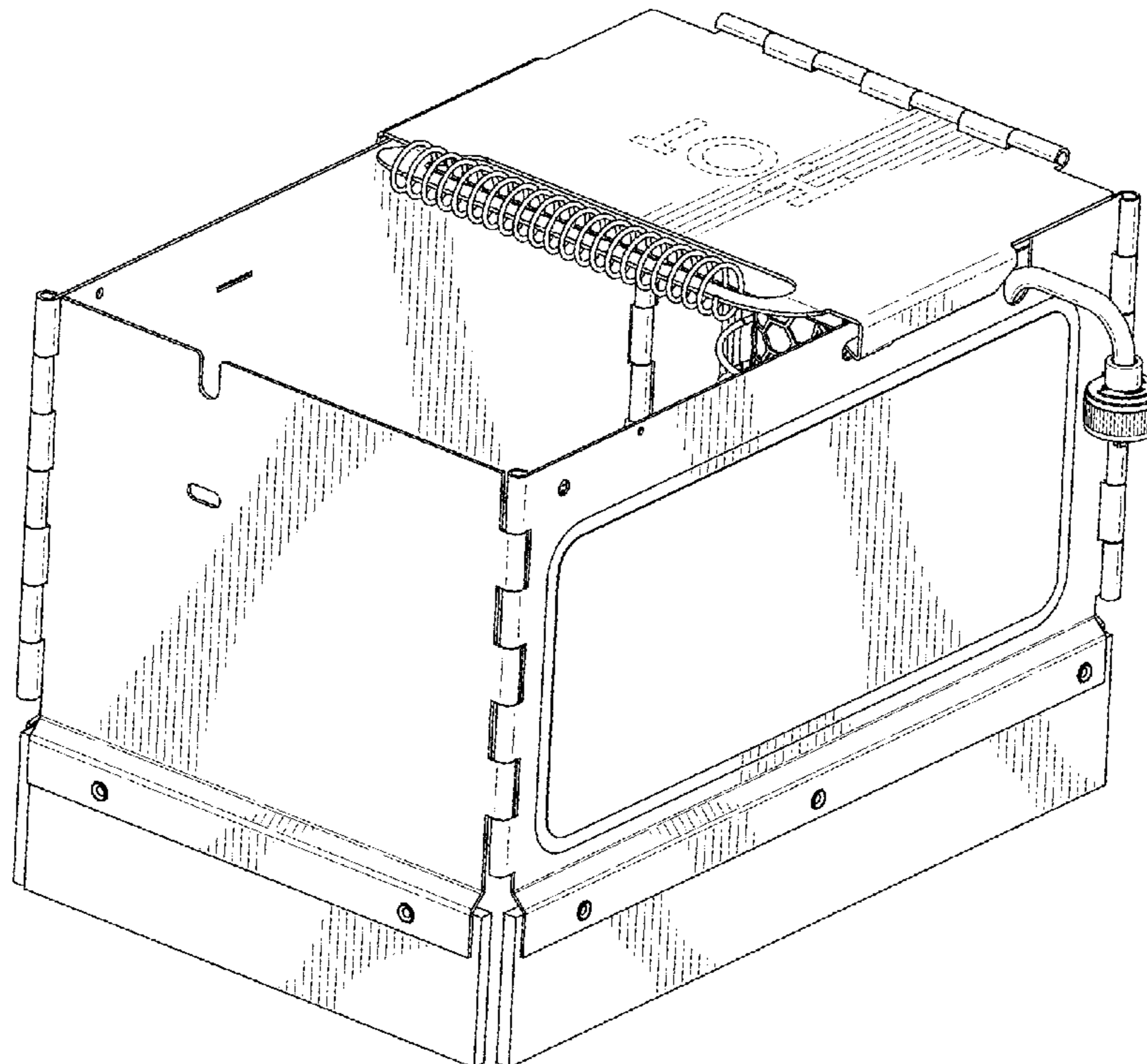
The ornamental design for a heated box for ice fishing, as shown and described.

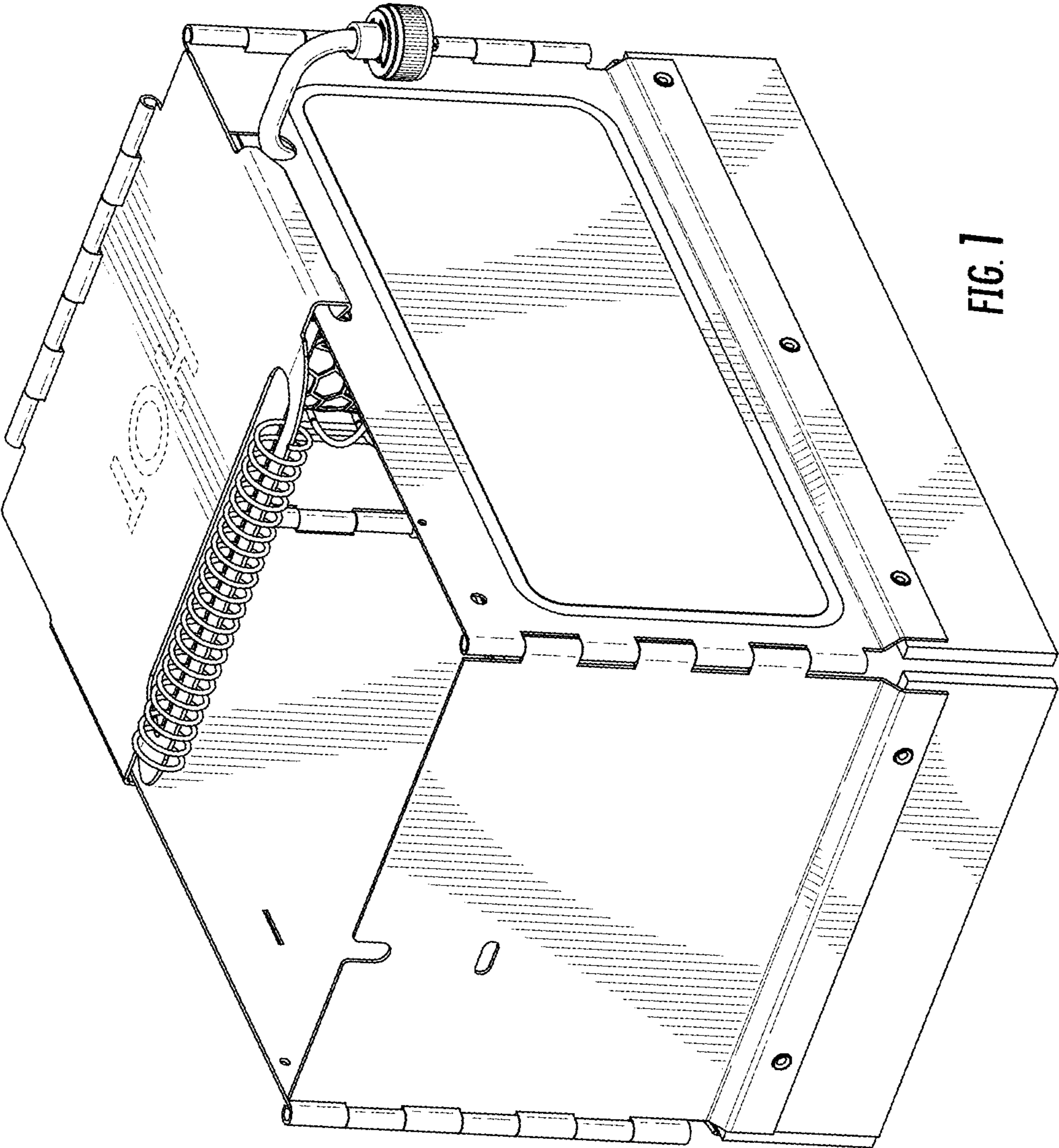
**DESCRIPTION**

FIG. 1 is a perspective view of a heated box for ice fishing showing our new design;  
FIG. 2 is a right side elevational view thereof;  
FIG. 3 is a left side elevational view thereof;  
FIG. 4 is front side elevational view thereof;  
FIG. 5 is a rear side elevational view thereof;  
FIG. 6 is a top view thereof; and,  
FIG. 7 is a bottom view thereof.  
In the drawings, the broken lines depict environmental subject matter only that forms no part of the claimed design.

**1 Claim, 7 Drawing Sheets**

- (56) **References Cited**
- U.S. PATENT DOCUMENTS
- 2,483,787 A \* 10/1949 Sheraski ..... A01K 97/06 126/271.3  
2,677,363 A \* 5/1954 Bryan ..... A01K 97/01 126/25 R  
4,131,107 A \* 12/1978 Godbout ..... A01K 97/01 126/271.2 R





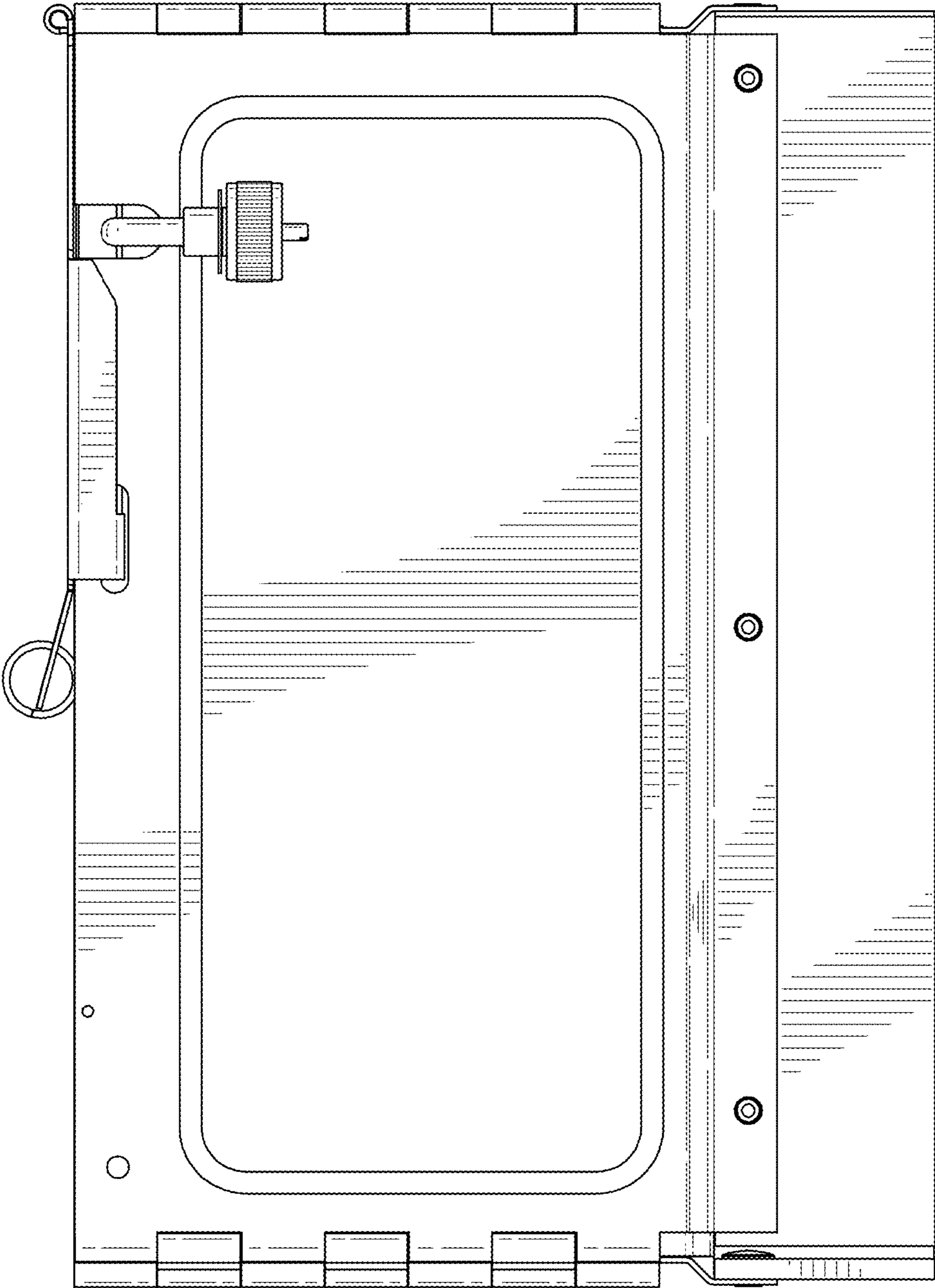


FIG. 2

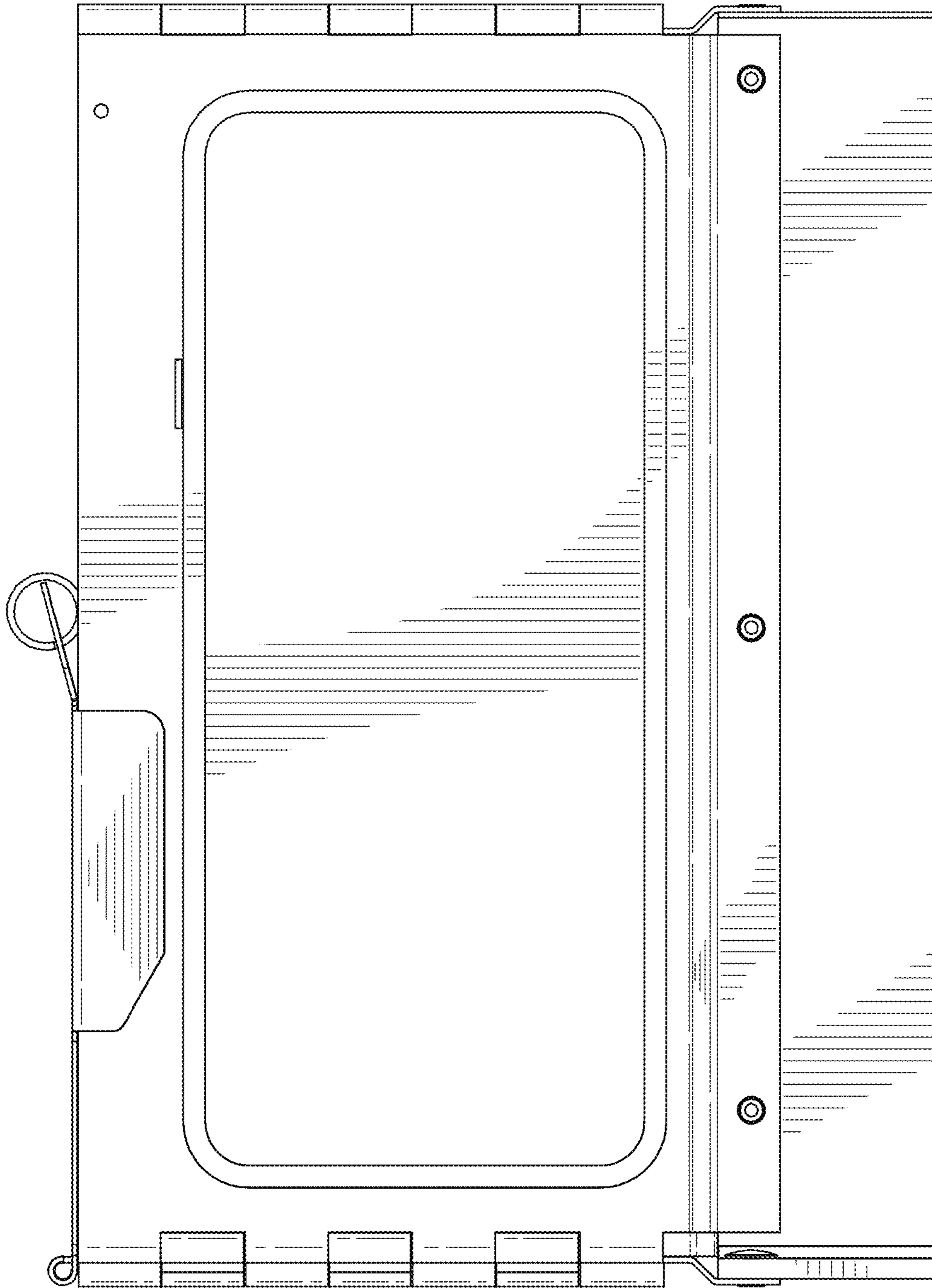


FIG. 3

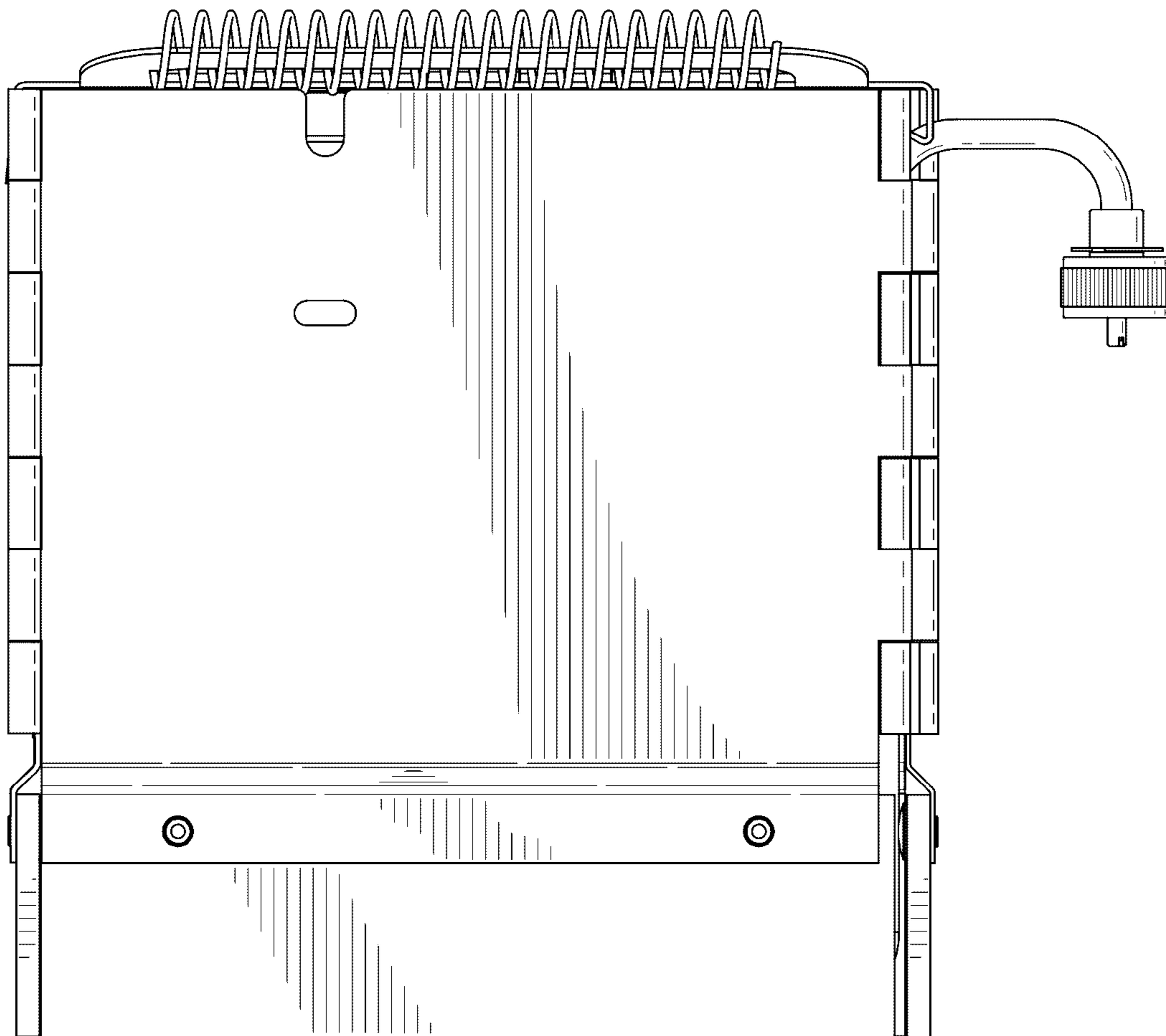


FIG. 4

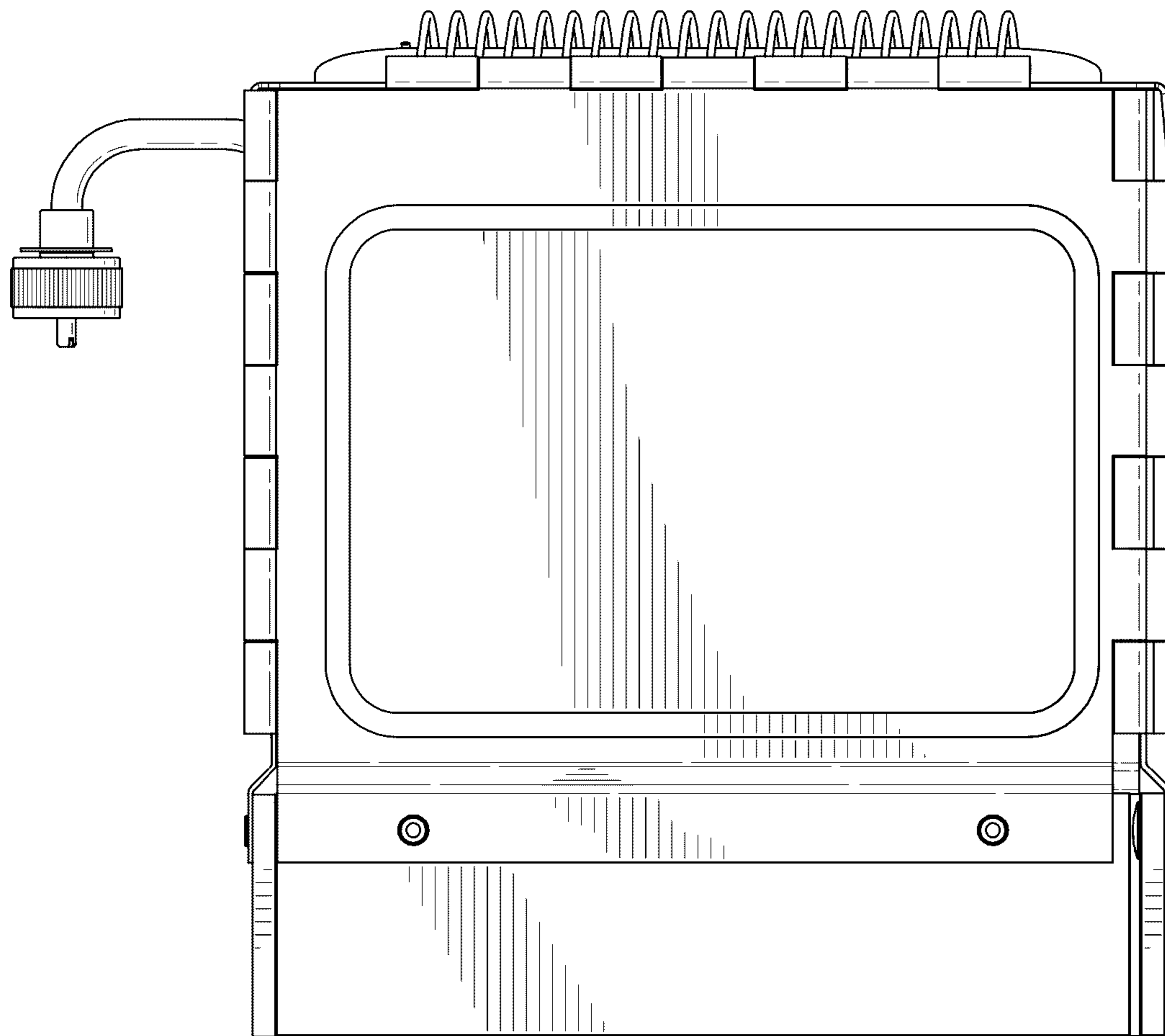


FIG. 5

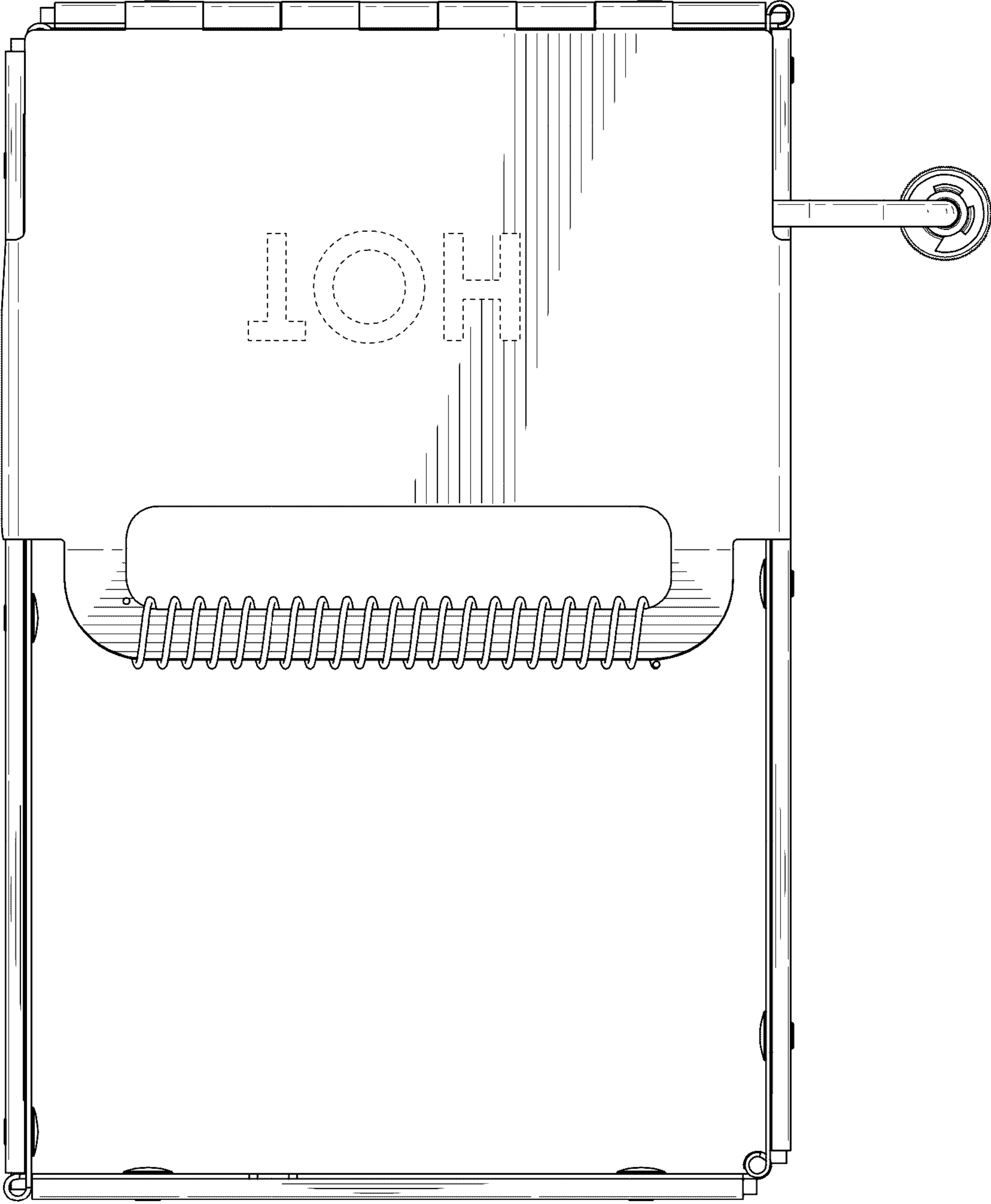


FIG. 6

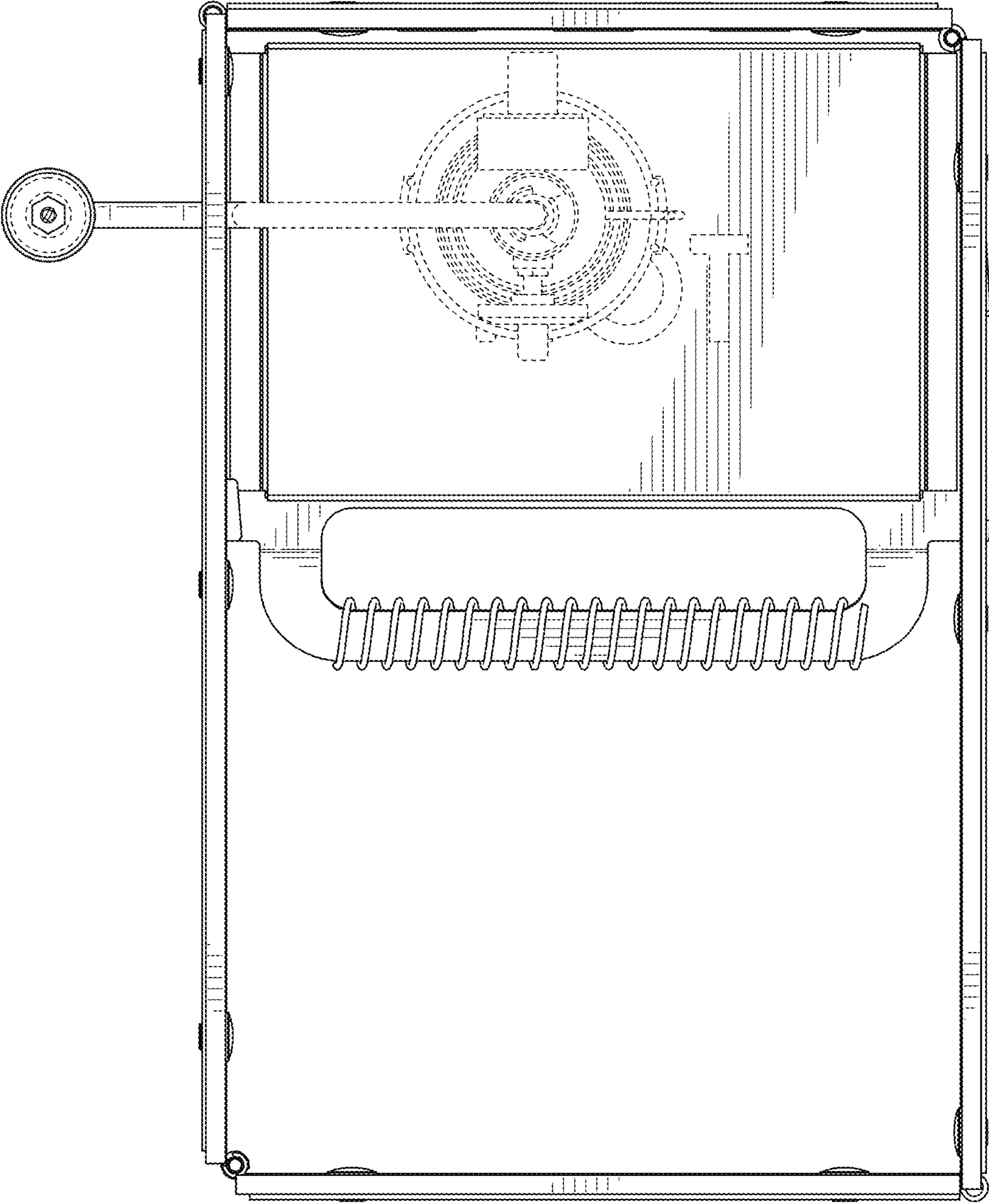


FIG. 7