



US00D774630S

(12) **United States Design Patent**
Mehari

(10) **Patent No.:** **US D774,630 S**

(45) **Date of Patent:** **** Dec. 20, 2016**

(54) **TOILET SEAL**

(71) Applicant: **HASE LLC**, Chicago, IL (US)

(72) Inventor: **Abel Mehari**, Chicago, IL (US)

(73) Assignee: **HASE LLC**, Chicago, IL (US)

(**) Term: **15 Years**

(21) Appl. No.: **29/562,040**

(22) Filed: **Apr. 21, 2016**

(51) **LOC (10) Cl.** **23-01**

(52) **U.S. Cl.**

USPC **D23/269**

(58) **Field of Classification Search**

USPC D23/249, 259–260, 262, 265–266, 269,
D23/303, 309; 277/351–354, 372, 504,
277/603, 606–609, 616, 626; 52/58, 199;
285/15, 95, 109, 133.21, 232, 351, 336,
285/910, 918; 4/252.1, 252.4

CPC E04D 13/14; E03D 11/16; E03D 11/00;
F16L 5/02; F16L 5/08; F16L 5/10

See application file for complete search history.

(56) **References Cited**

U.S. PATENT DOCUMENTS

4,052,759 A * 10/1977 Hill E03D 11/16
285/56
5,377,361 A * 1/1995 Piskula E03D 11/16
138/90
D370,629 S * 6/1996 Lynch D9/439
6,085,362 A * 7/2000 Huber E03D 11/16
138/96 R

D631,066 S * 1/2011 Itadani D15/9
D690,336 S * 9/2013 Gjertsen D15/144
D728,758 S * 5/2015 Coronado D23/269
D728,759 S * 5/2015 Gonzalez D23/269
D730,498 S * 5/2015 Gonzalez D23/269
2010/0123307 A1* 5/2010 Coronado E03D 11/16
285/56
2014/0366256 A1* 12/2014 Coronado E03D 11/14
4/252.6
2015/0292190 A1* 10/2015 Coronado E03D 11/16
4/252.6
2015/0376887 A1* 12/2015 Coronado E03D 11/16
29/890.141
2016/0312458 A1* 10/2016 Mehari E03D 11/16

* cited by examiner

Primary Examiner — Eric Goodman

Assistant Examiner — Amy Wierenga

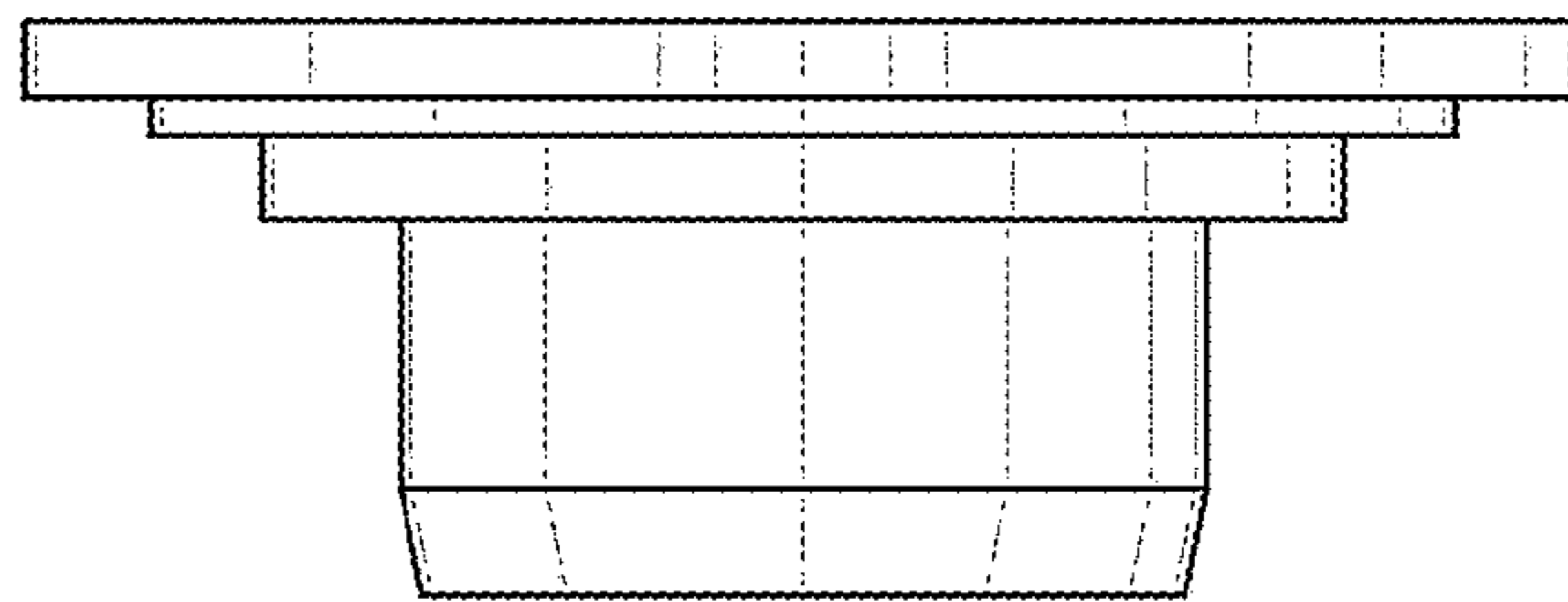
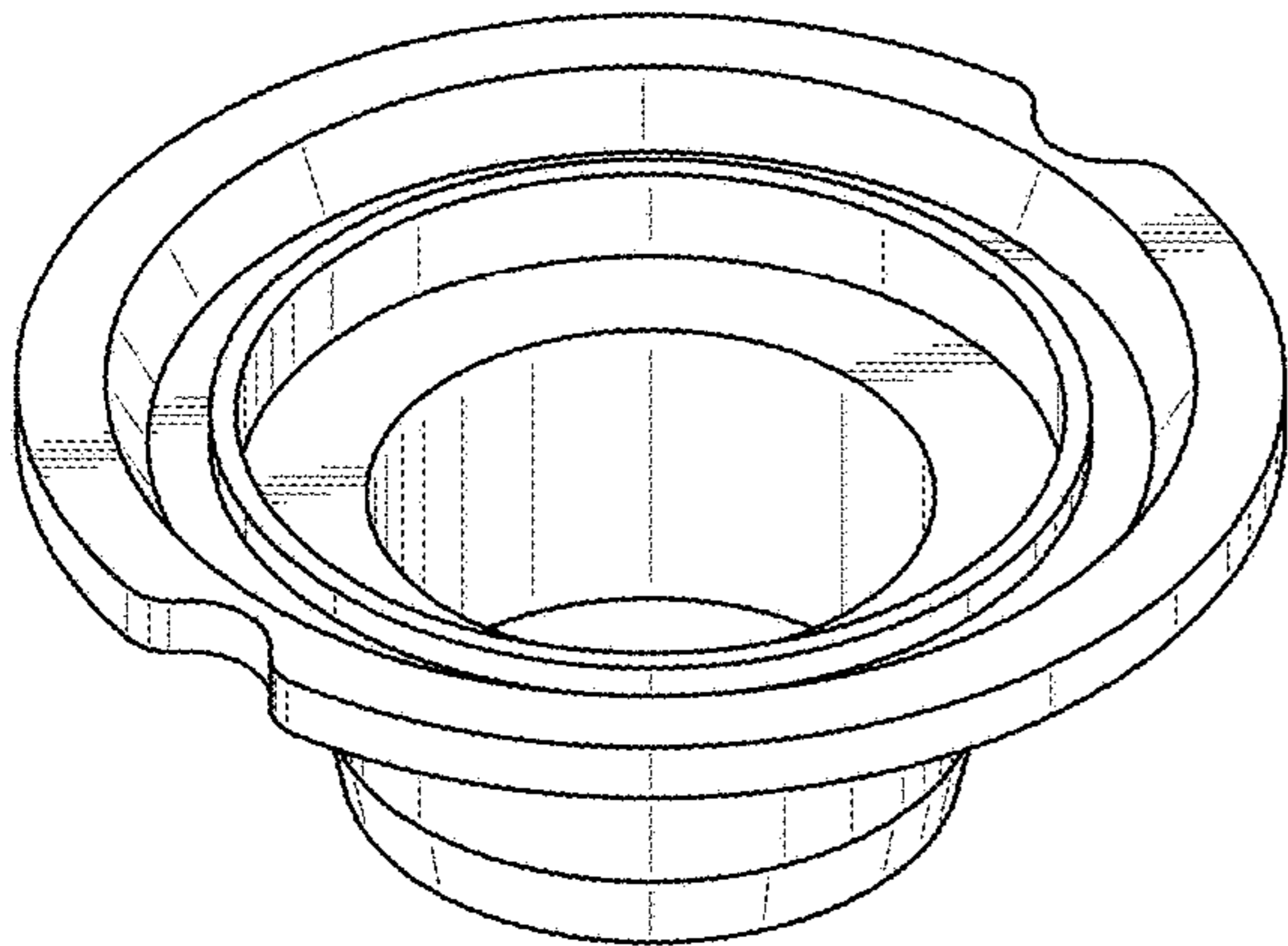
(57) **CLAIM**

The ornamental design for a toilet seal, as shown and described.

DESCRIPTION

FIG. 1 is a perspective view of a toilet seal;
FIG. 2 is a top view thereof;
FIG. 3 is a bottom view thereof;
FIG. 4 is a front view thereof;
FIG. 5 is a rear view thereof;
FIG. 6 is a left side view thereof;
FIG. 7 is a right side thereof; and,
FIG. 8 is a cross section view thereof taken along line 8-8 on FIG. 2.

1 Claim, 5 Drawing Sheets



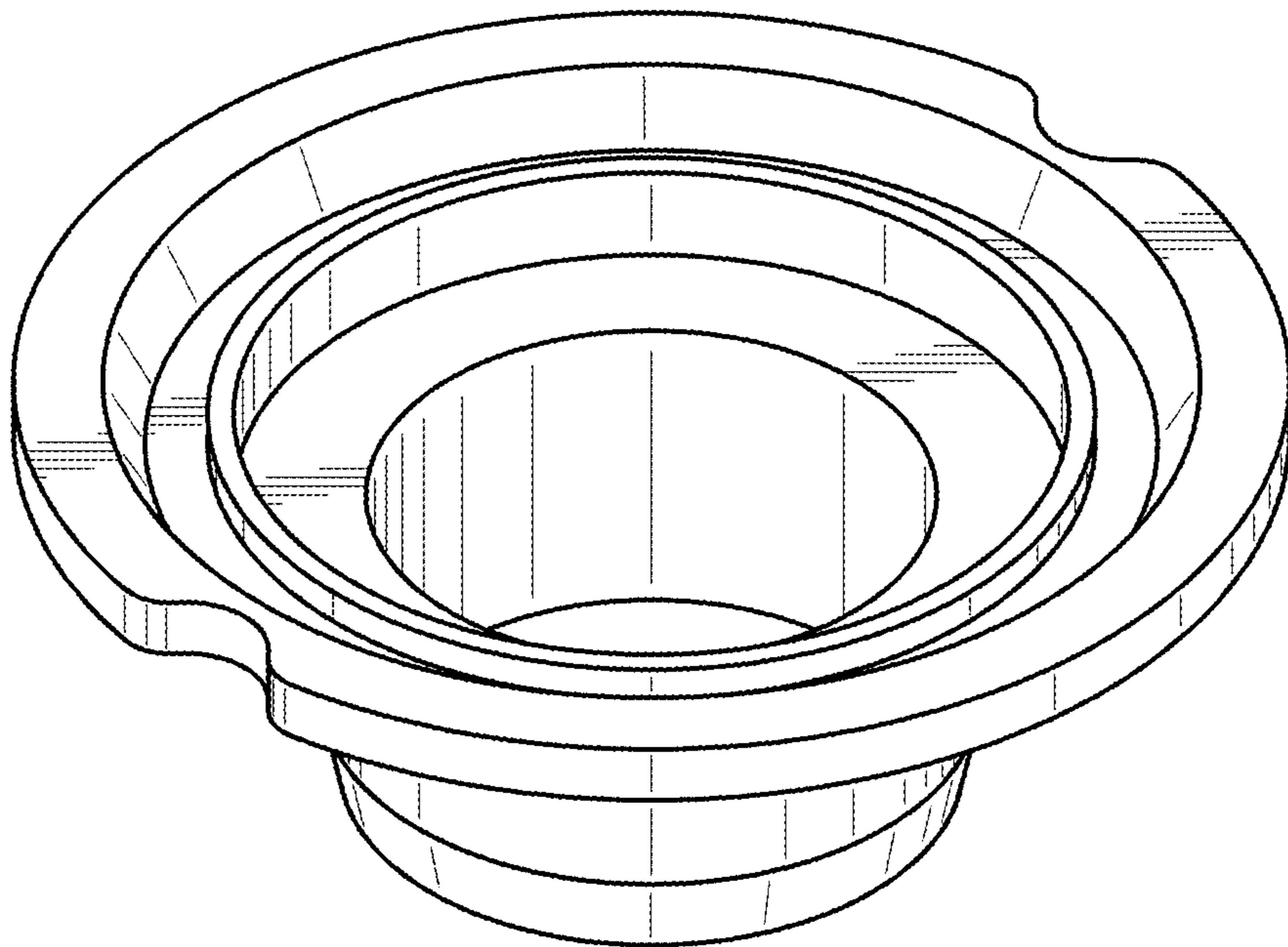


FIG. 1

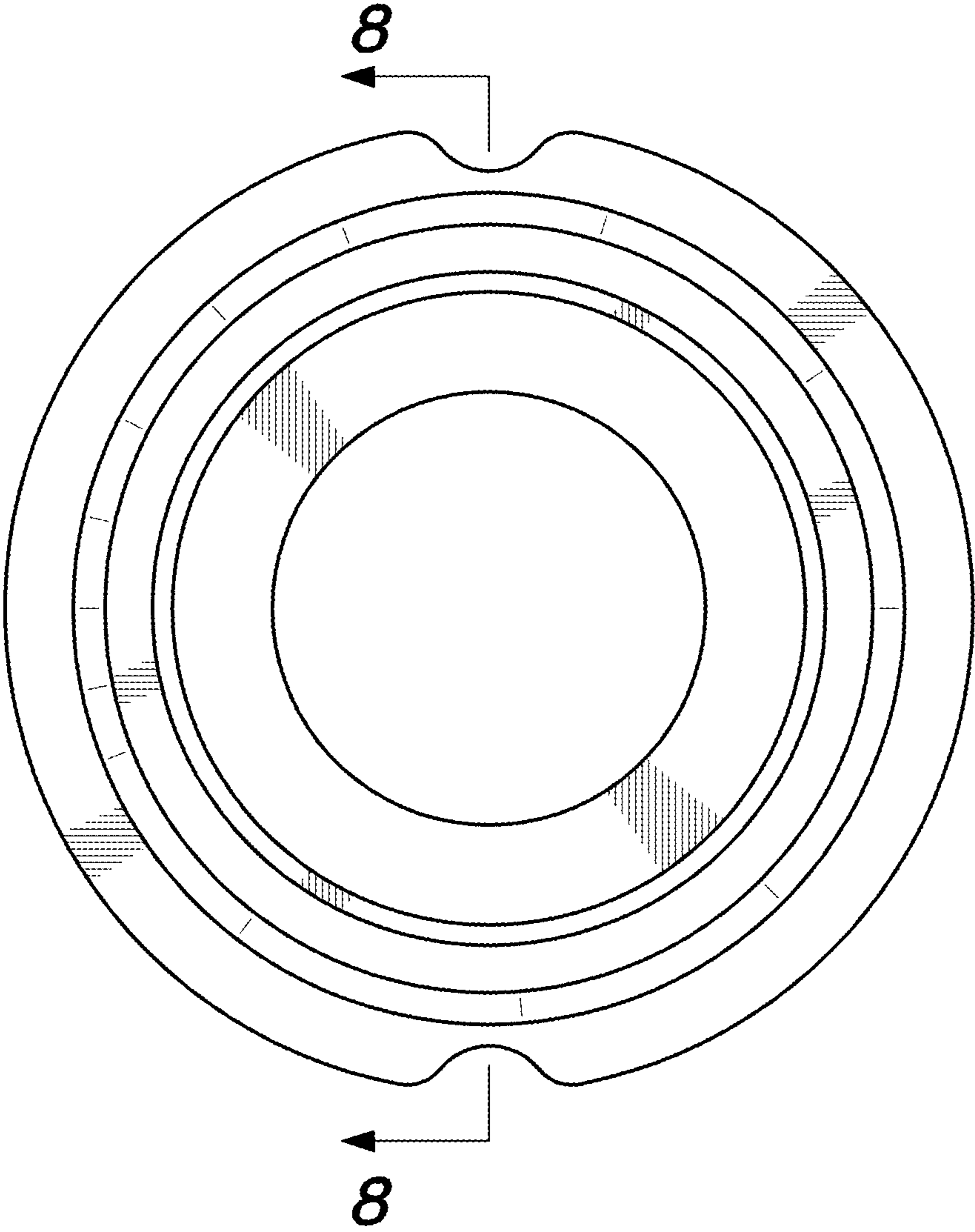


FIG. 2

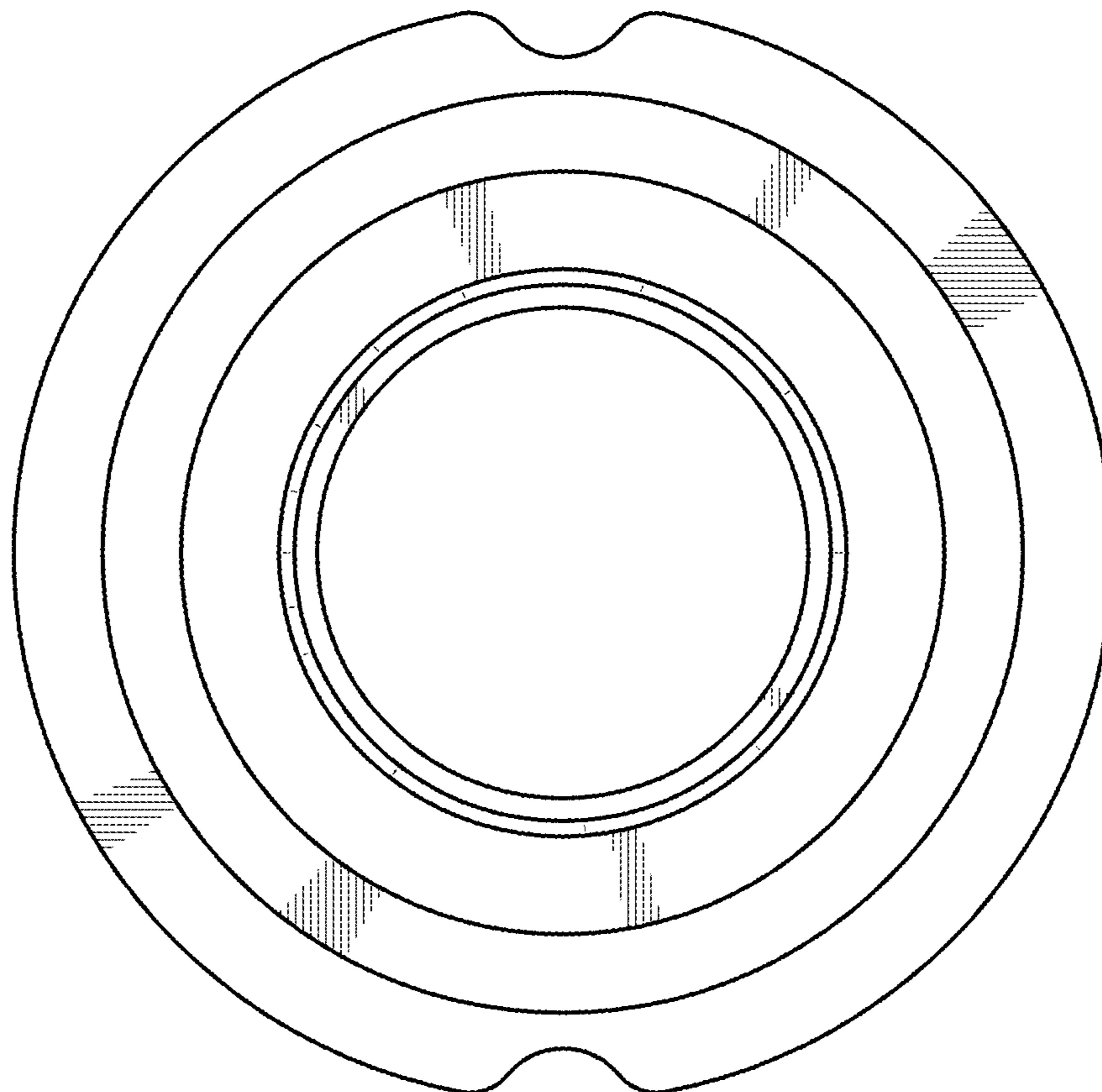


FIG. 3

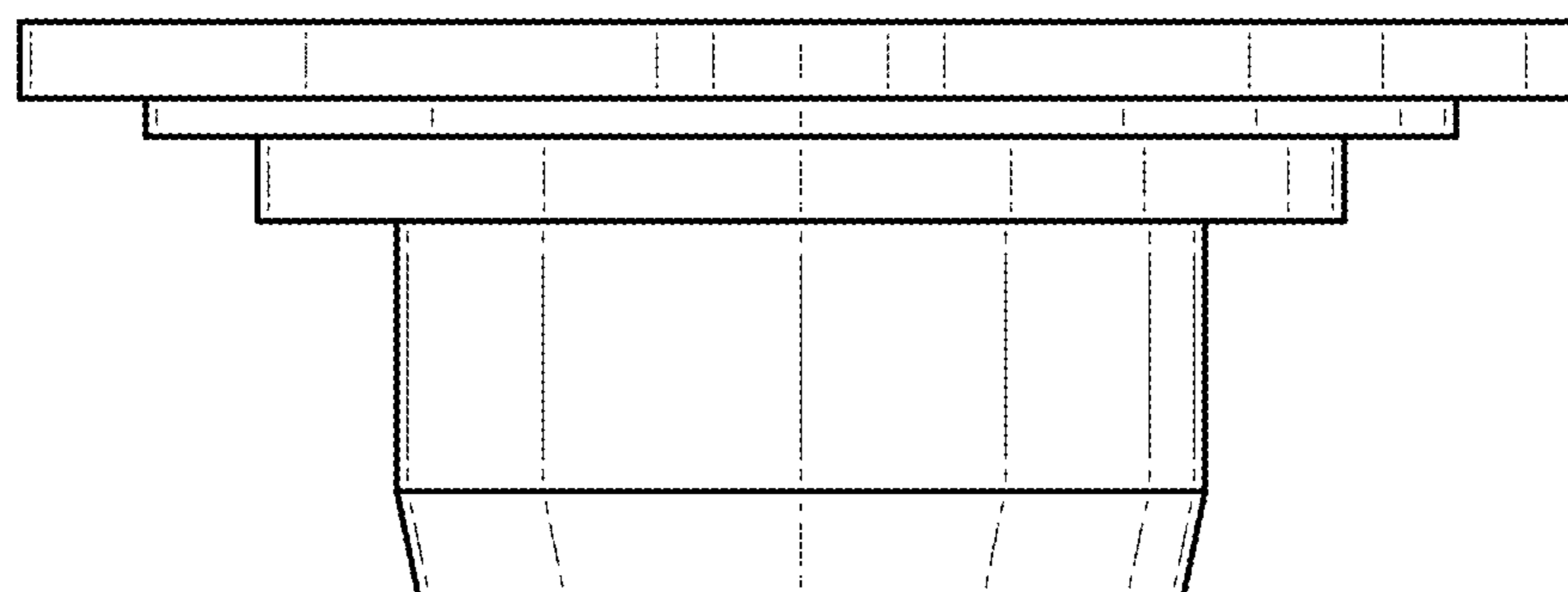


FIG. 4

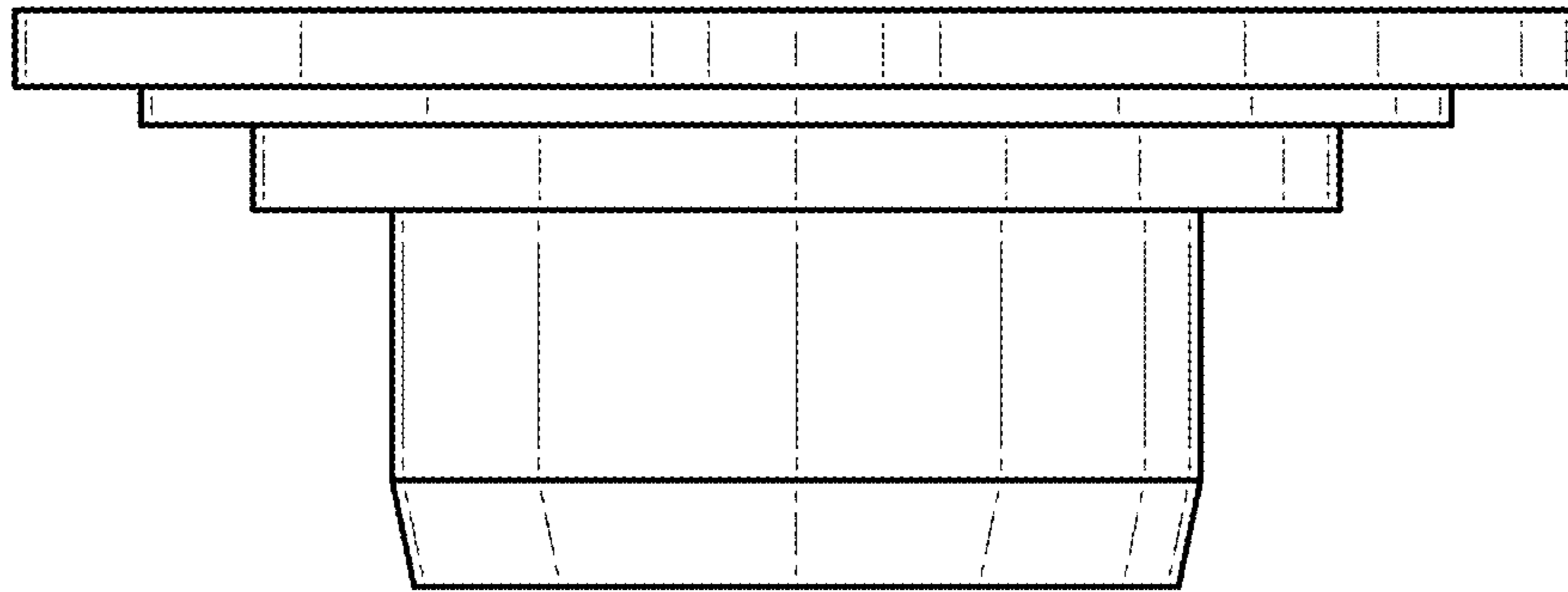


FIG. 5

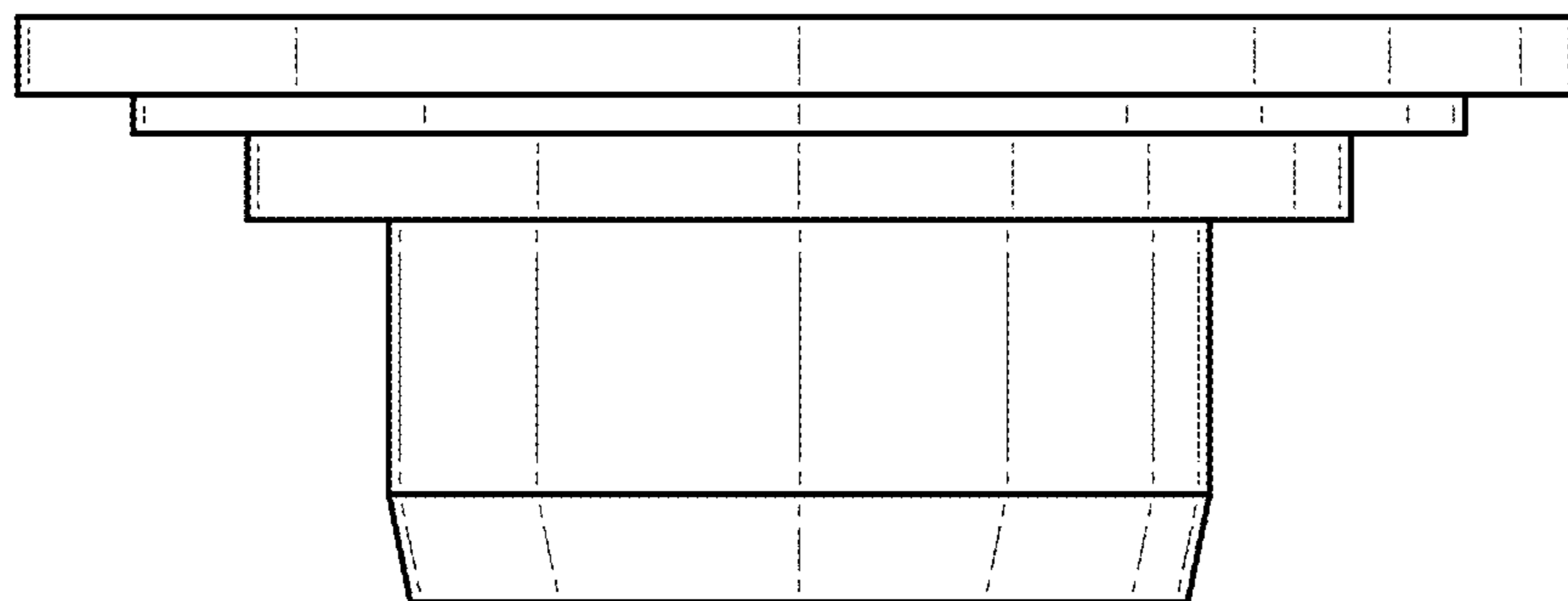


FIG. 6

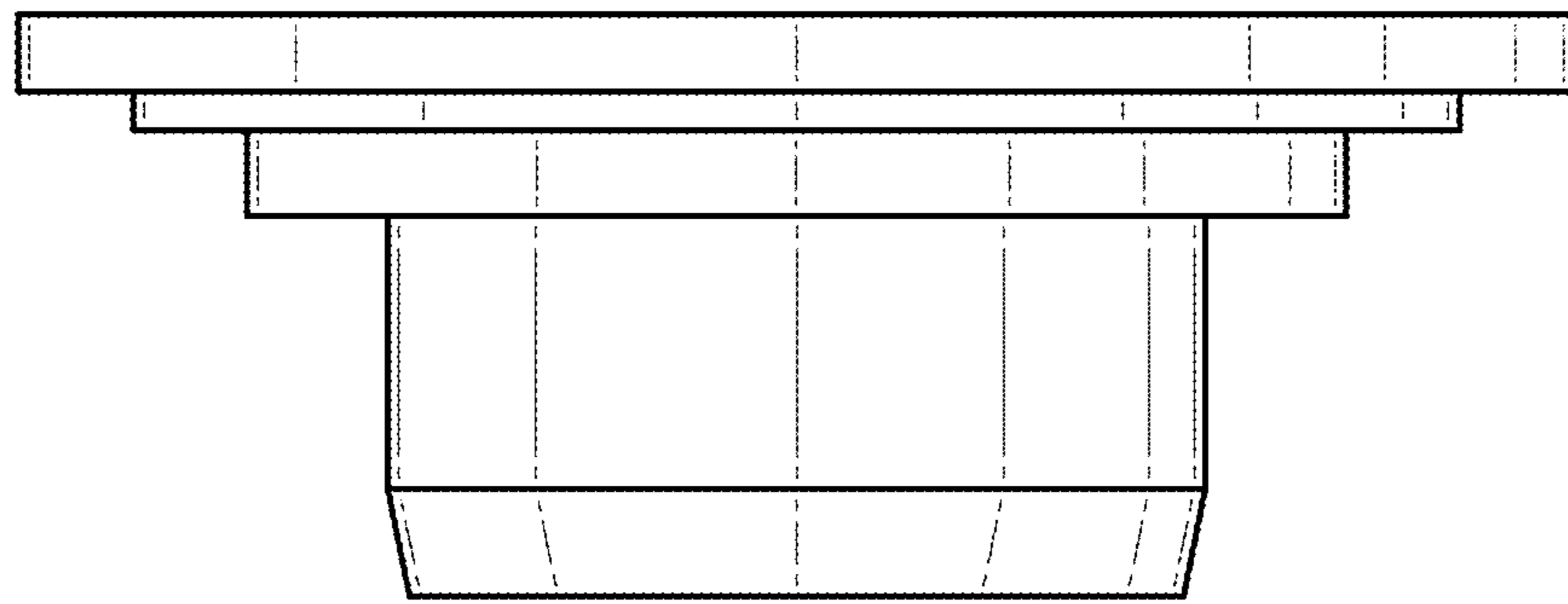


FIG. 7

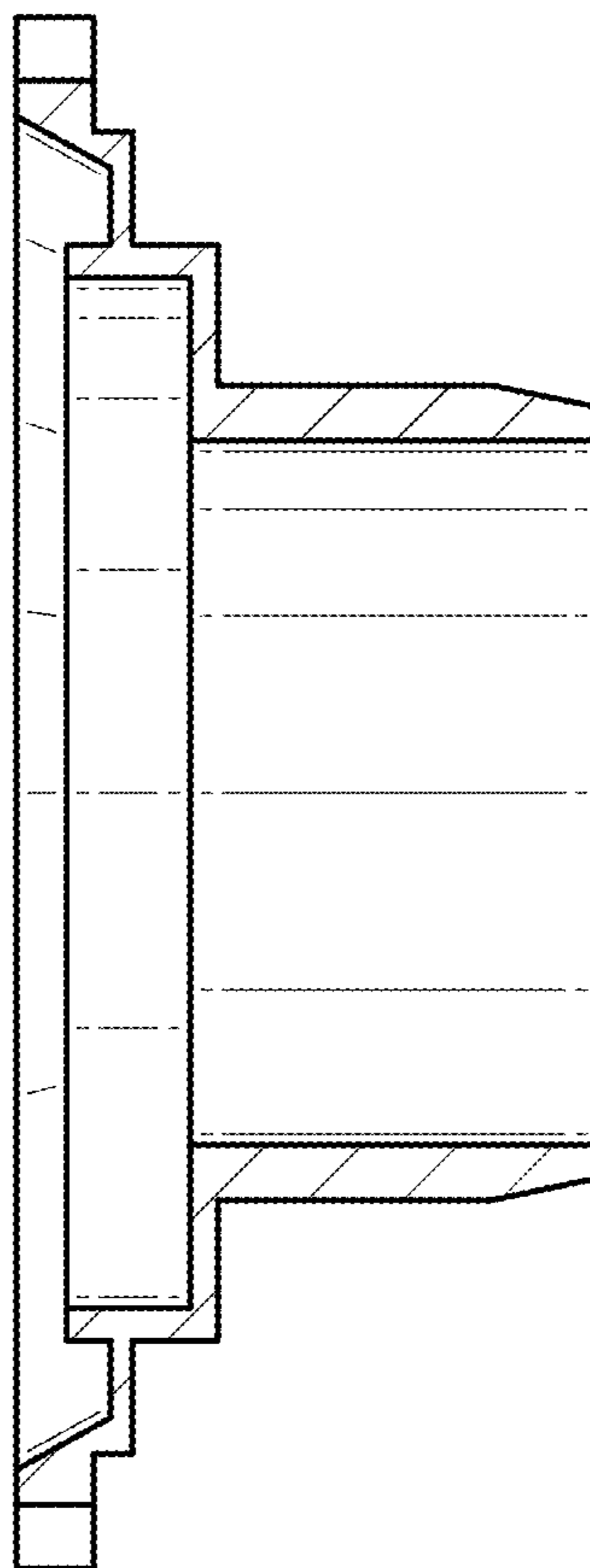


FIG. 8