



US00D774628S

(12) **United States Design Patent** (10) **Patent No.:** **US D774,628 S**
Provenzano et al. (45) **Date of Patent:** **** Dec. 20, 2016**

(54) **CONDUIT COUPLER**
(71) Applicant: **ELECTRONIC CUSTOM DISTRIBUTORS, INC.**, Houston, TX (US)
(72) Inventors: **Charles J. Provenzano**, Houston, TX (US); **Michael Leung**, Missouri City, TX (US)
(73) Assignee: **Electronic Custom Distributors, Inc.**, Houston, TX (US)
(**) Term: **14 Years**

(21) Appl. No.: **29/511,235**
(22) Filed: **Dec. 9, 2014**
(51) **LOC (10) Cl.** **23-01**
(52) **U.S. Cl.**
USPC **D23/262**
(58) **Field of Classification Search**
USPC D23/259-263, 266-269, 233; 251/215, 251/216
CPC F16L 11/00; F16L 37/252; F16L 41/007; E03C 1/26; E03C 1/262; E03C 1/28; E03F 5/04; A61B 5/00; A61M 25/09016
See application file for complete search history.

(56) **References Cited**
U.S. PATENT DOCUMENTS
D222,643 S * 11/1971 Martin D23/266
3,658,097 A * 4/1972 Martin E02B 11/005 138/121
3,789,615 A * 2/1974 Maroschak E02B 11/005 138/121
D296,355 S * 6/1988 Kanao D23/266
D296,356 S * 6/1988 Kanao D23/266
D501,539 S * 2/2005 Dyer, III D23/262

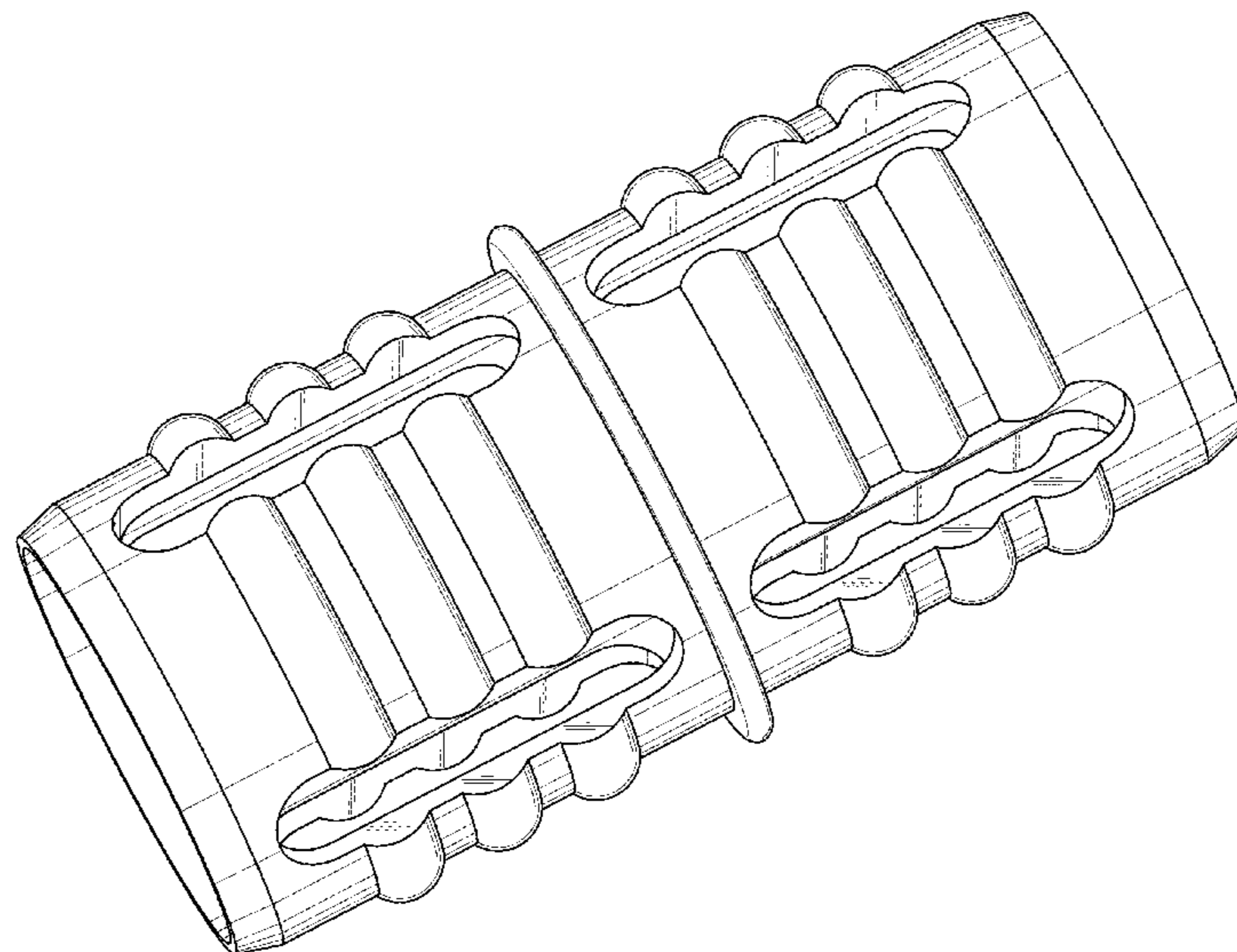
D566,063 S * 4/2008 Kanao D13/199
D566,064 S * 4/2008 Kanao D13/199
D614,270 S * 4/2010 Green D23/266
(Continued)

Primary Examiner — Sandra Snapp
(74) *Attorney, Agent, or Firm* — Conley Rose, PC; Mark E. Scott

(57) **CLAIM**
The ornamental design for a conduit coupler, as shown and described.

DESCRIPTION
FIG. 1 is a perspective view of a first embodiment of a conduit coupler showing our new design;
FIG. 2 is a front elevation view thereof, the back elevation view and side elevation views being identical thereto;
FIG. 3 is top plan view thereof, the bottom plan view being identical thereto;
FIG. 4 is a perspective view of a second embodiment of a conduit coupler showing our new design;
FIG. 5 is a front elevation view thereof, the back elevation being identical;
FIG. 6 is a side elevation view thereof, the reverse side elevation view being identical;
FIG. 7 is top plan view thereof, the bottom plan view being identical thereto;
FIG. 8 is a perspective view of a third embodiment of a conduit coupler showing our new design;
FIG. 9 is a side elevation view thereof, the reverse side elevation view being identical;
FIG. 10 is a front elevation view thereof, the back elevation view being identical; and,
FIG. 11 is top plan view thereof, the bottom plan view being identical thereto.
The portion of the conduit coupler depicted in broken lines forms no part of the claimed design.

1 Claim, 11 Drawing Sheets



(56)

References Cited

U.S. PATENT DOCUMENTS

8,110,099 B2 *	2/2012	Hersey	B01D 35/147 210/121
D707,334 S *	6/2014	Hernandez	D23/266
D723,670 S *	3/2015	Lorraine	D23/266
2007/0113912 A1 *	5/2007	Lawrence	B29C 45/1676 138/121

* cited by examiner

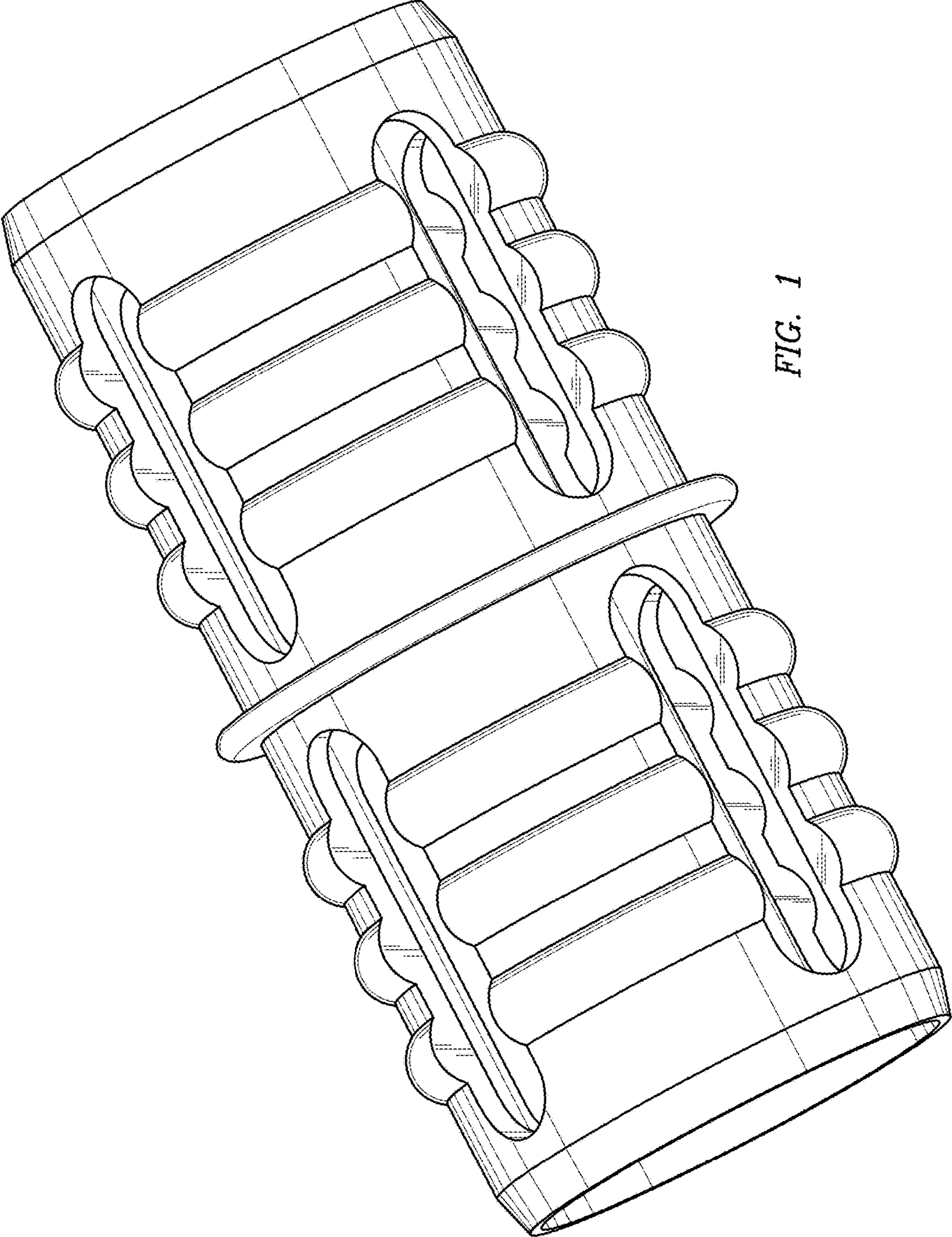


FIG. 1

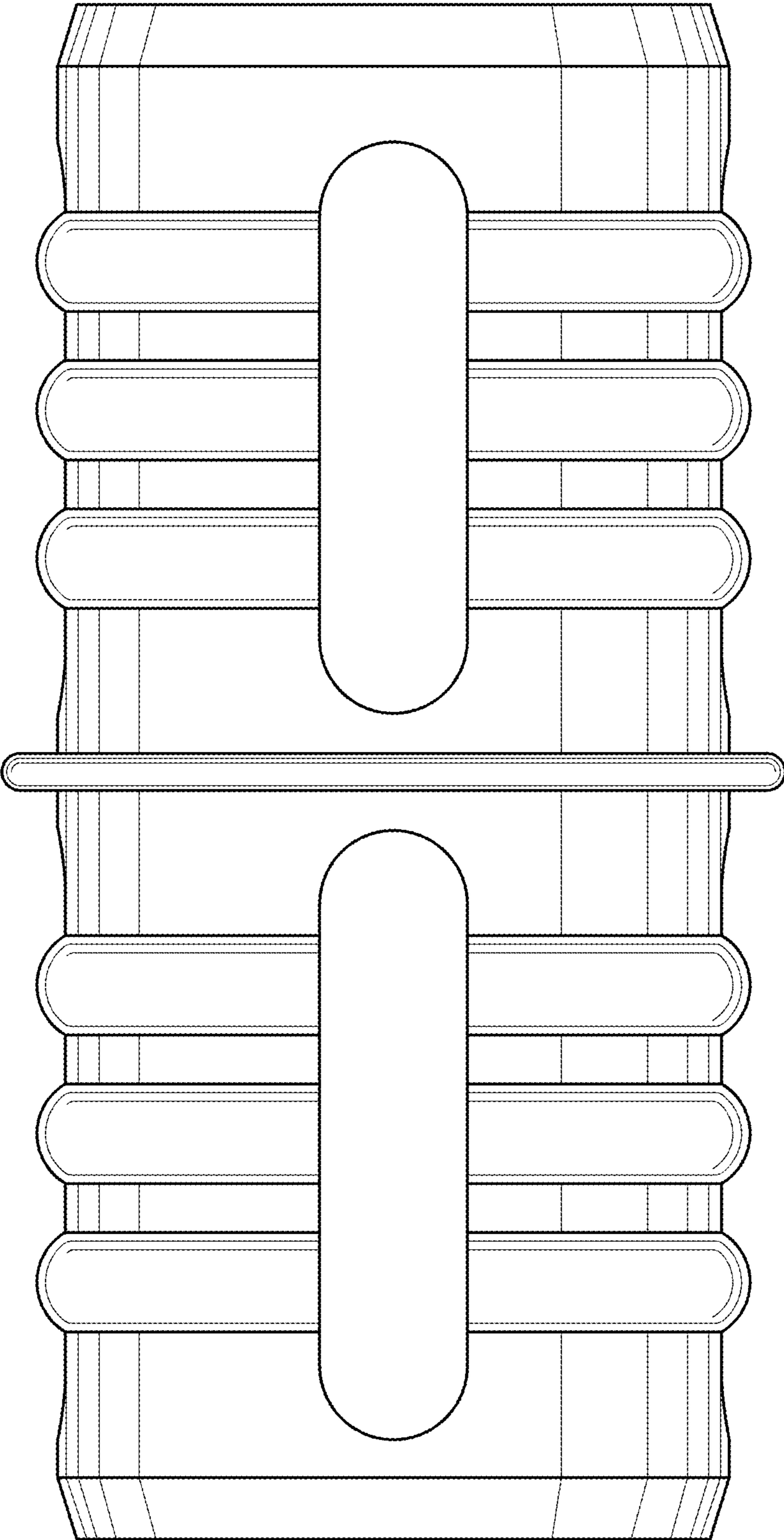


FIG. 2

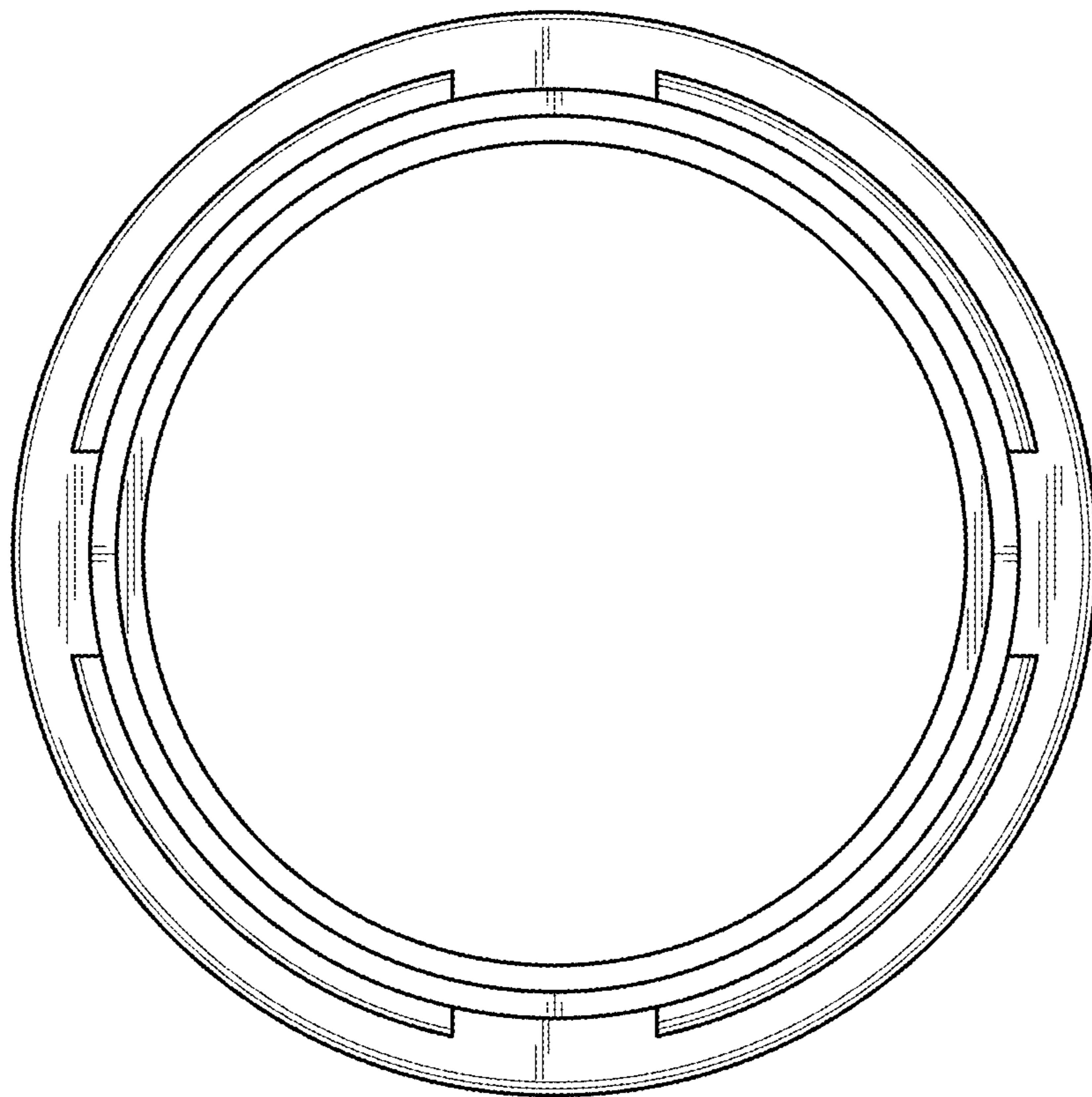


FIG. 3

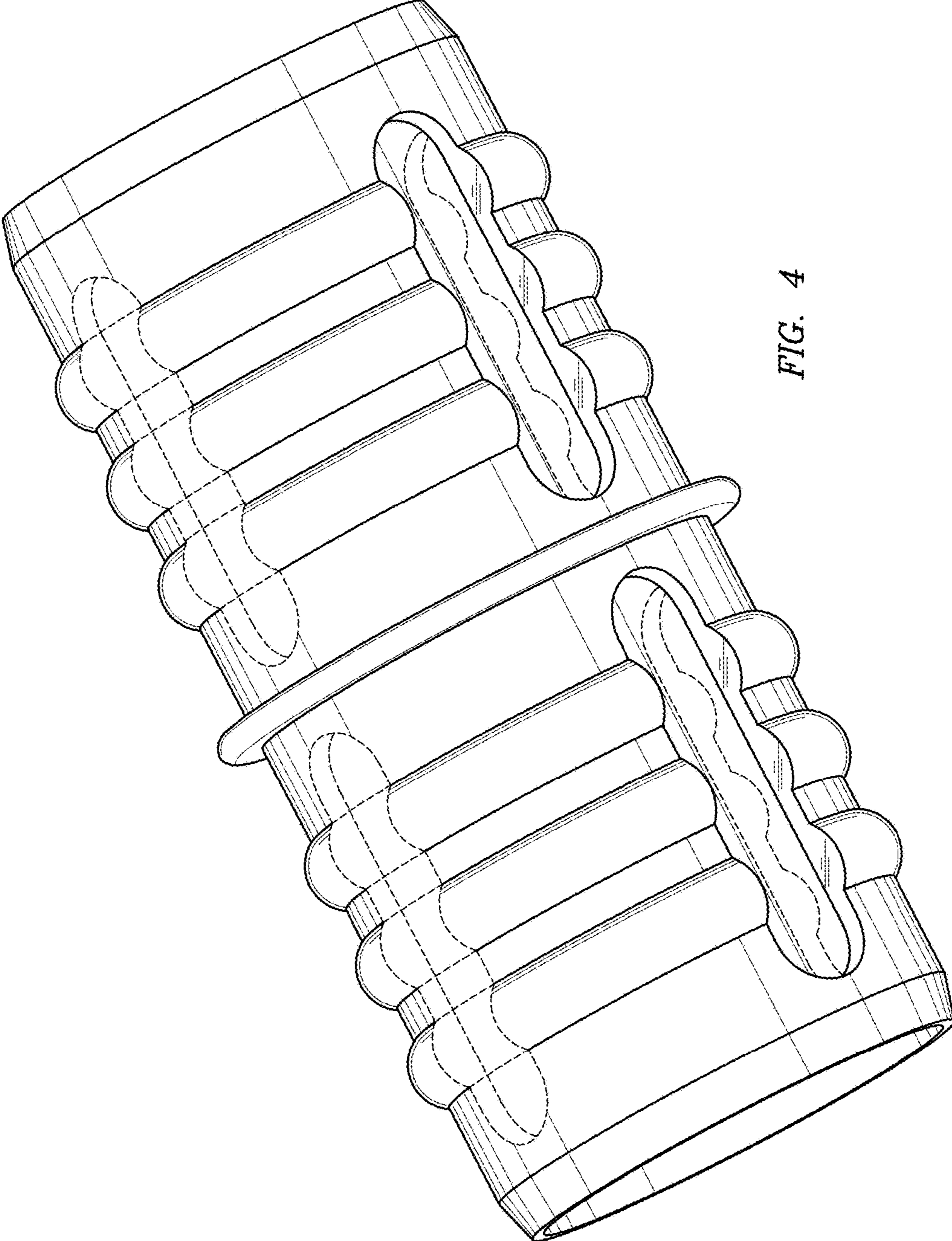


FIG. 4

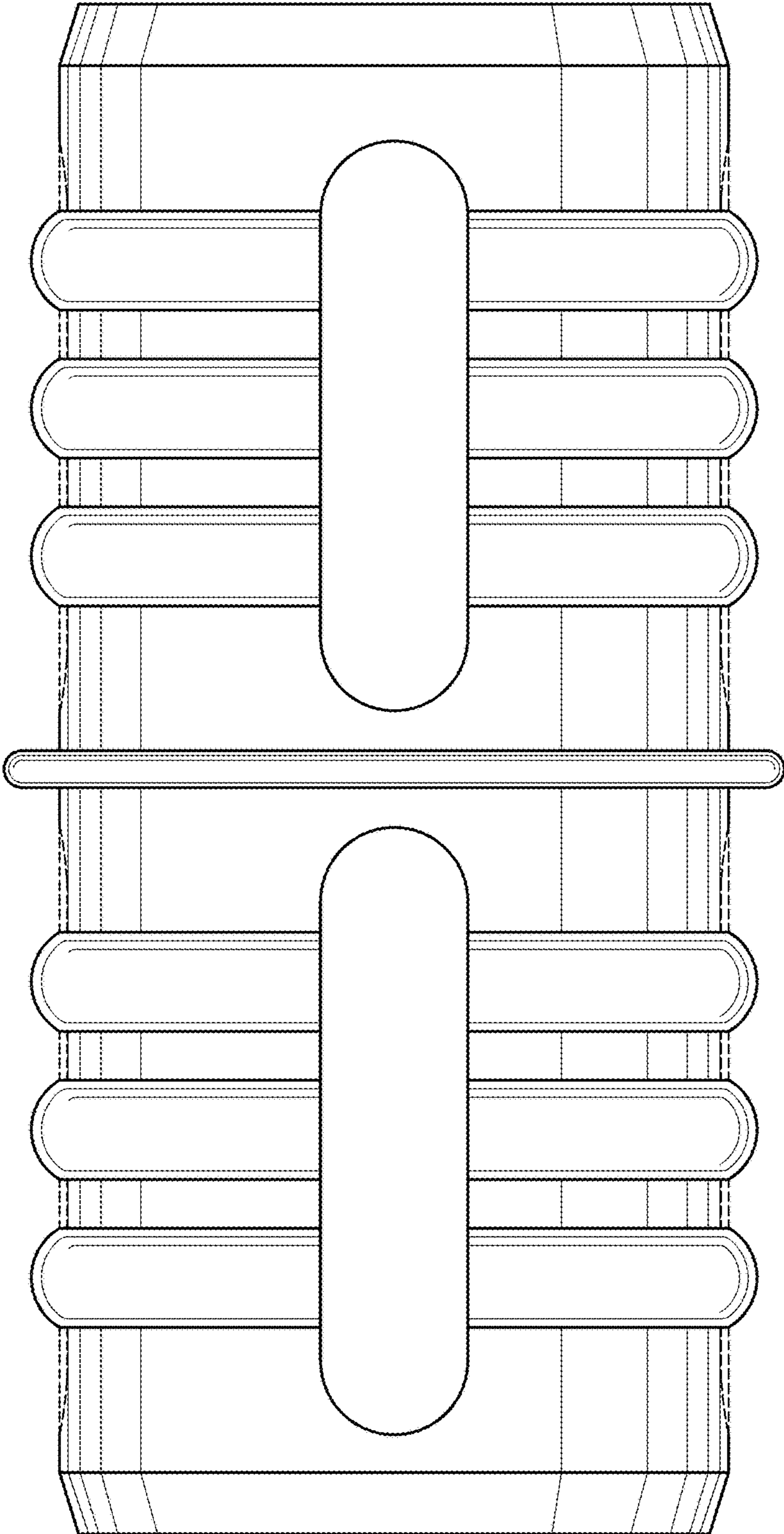


FIG. 5

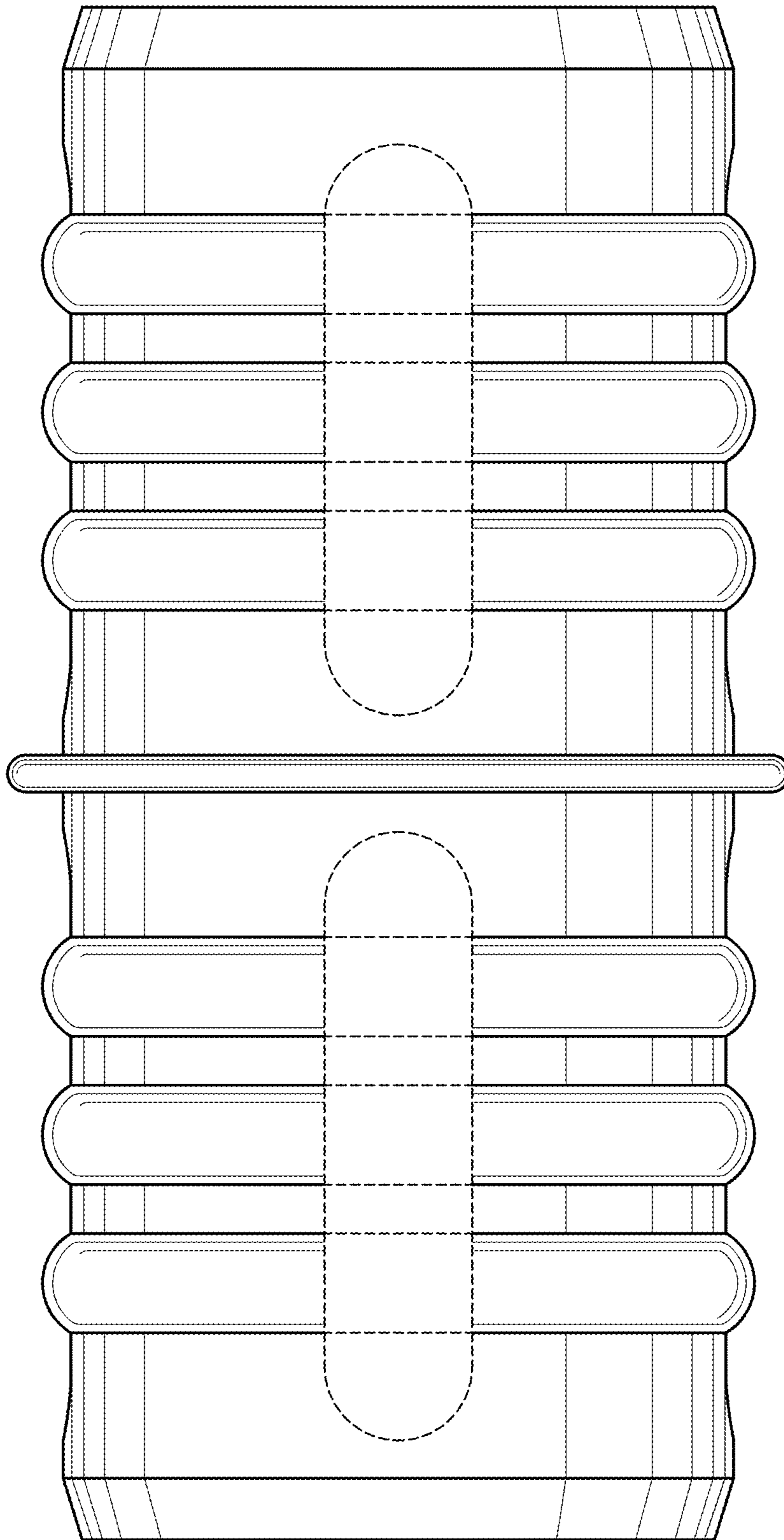


FIG. 6

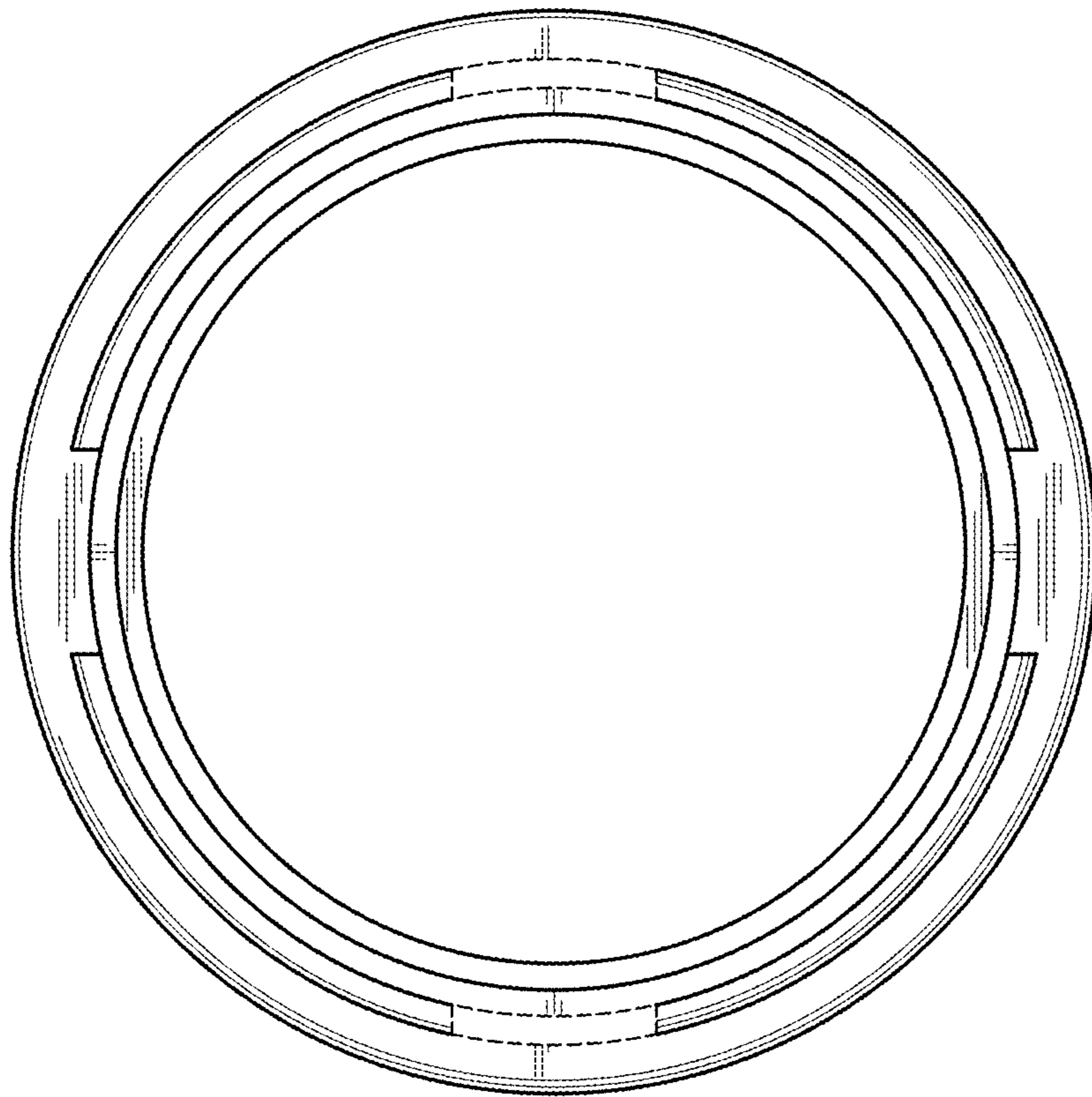


FIG. 7

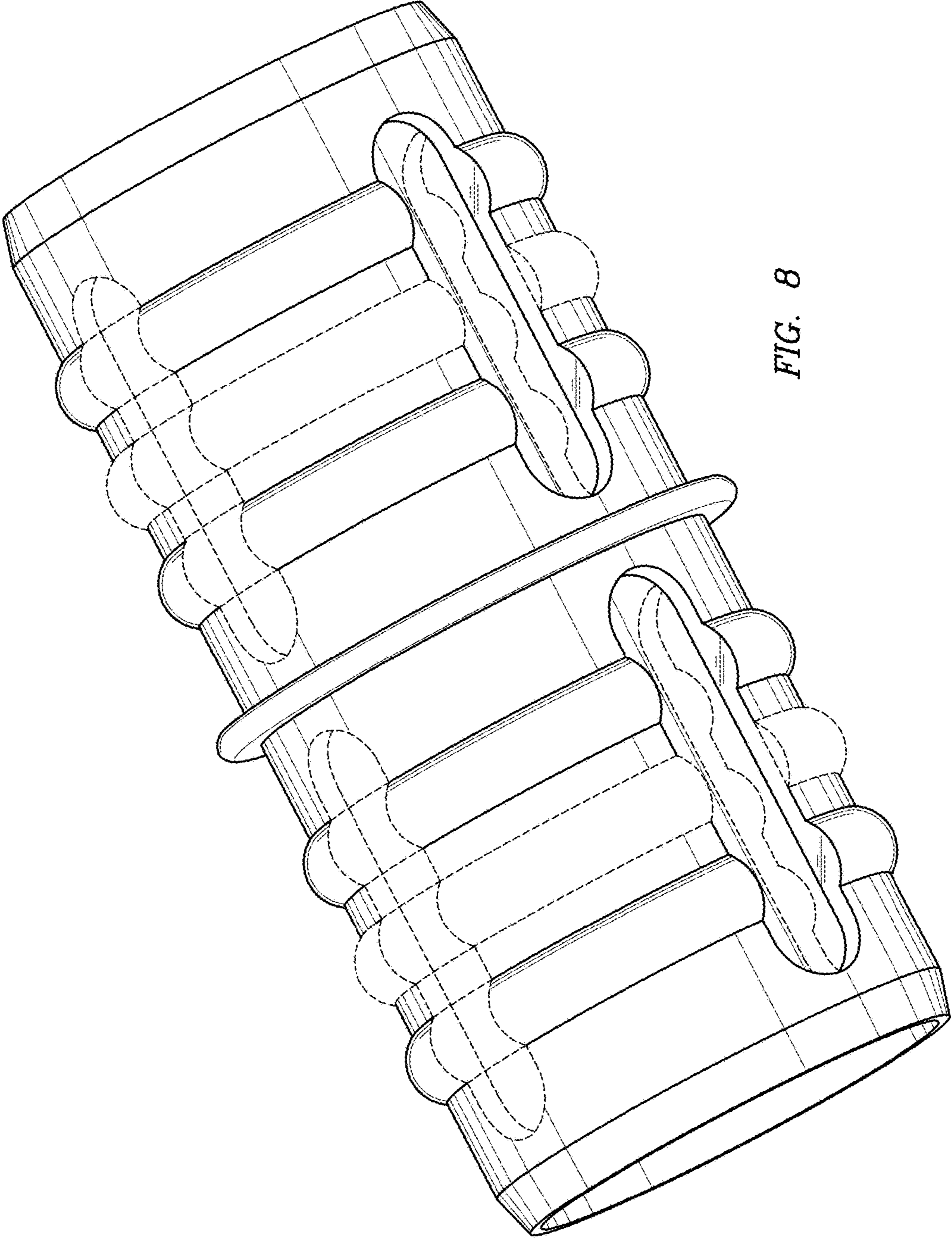


FIG. 8

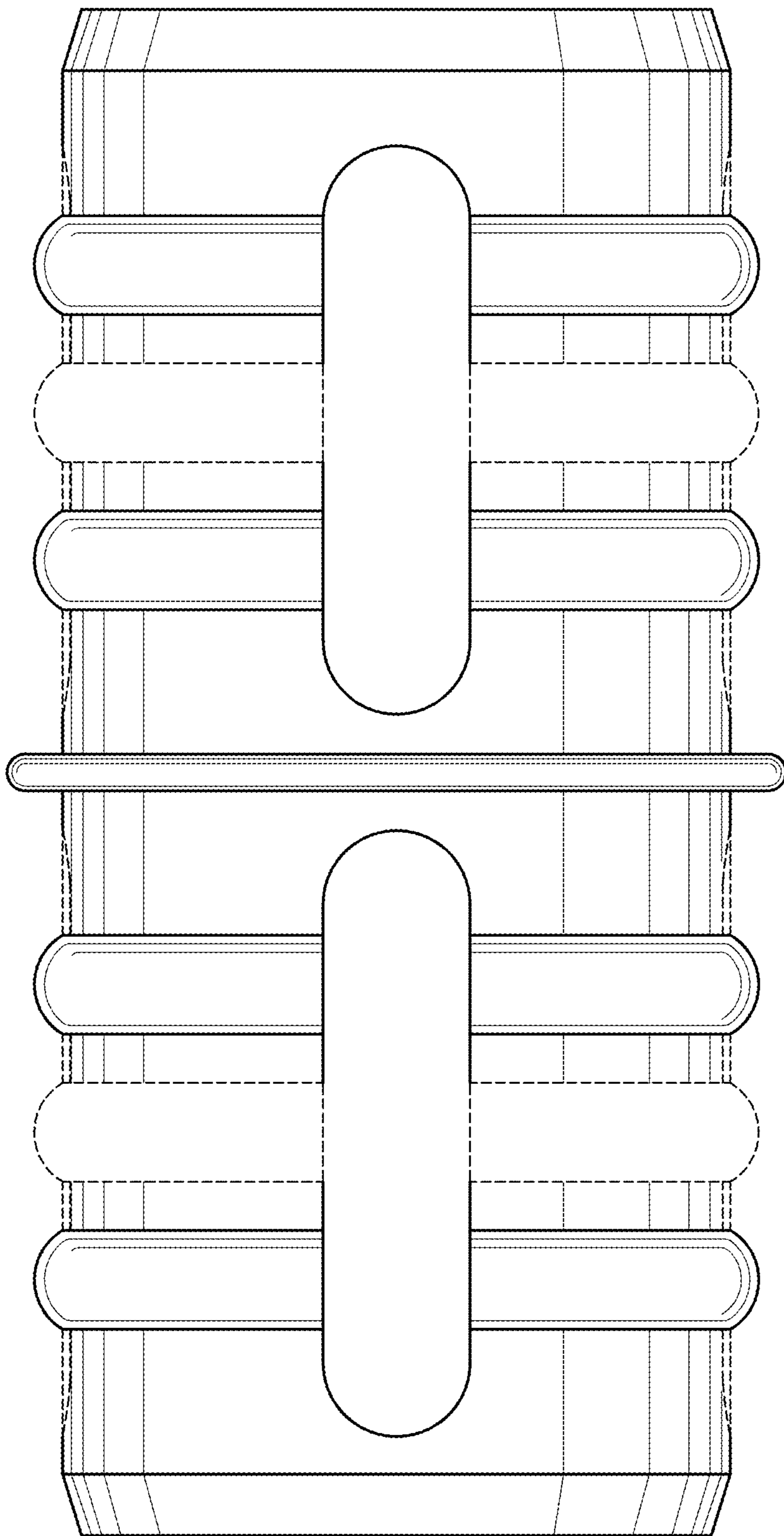


FIG. 9

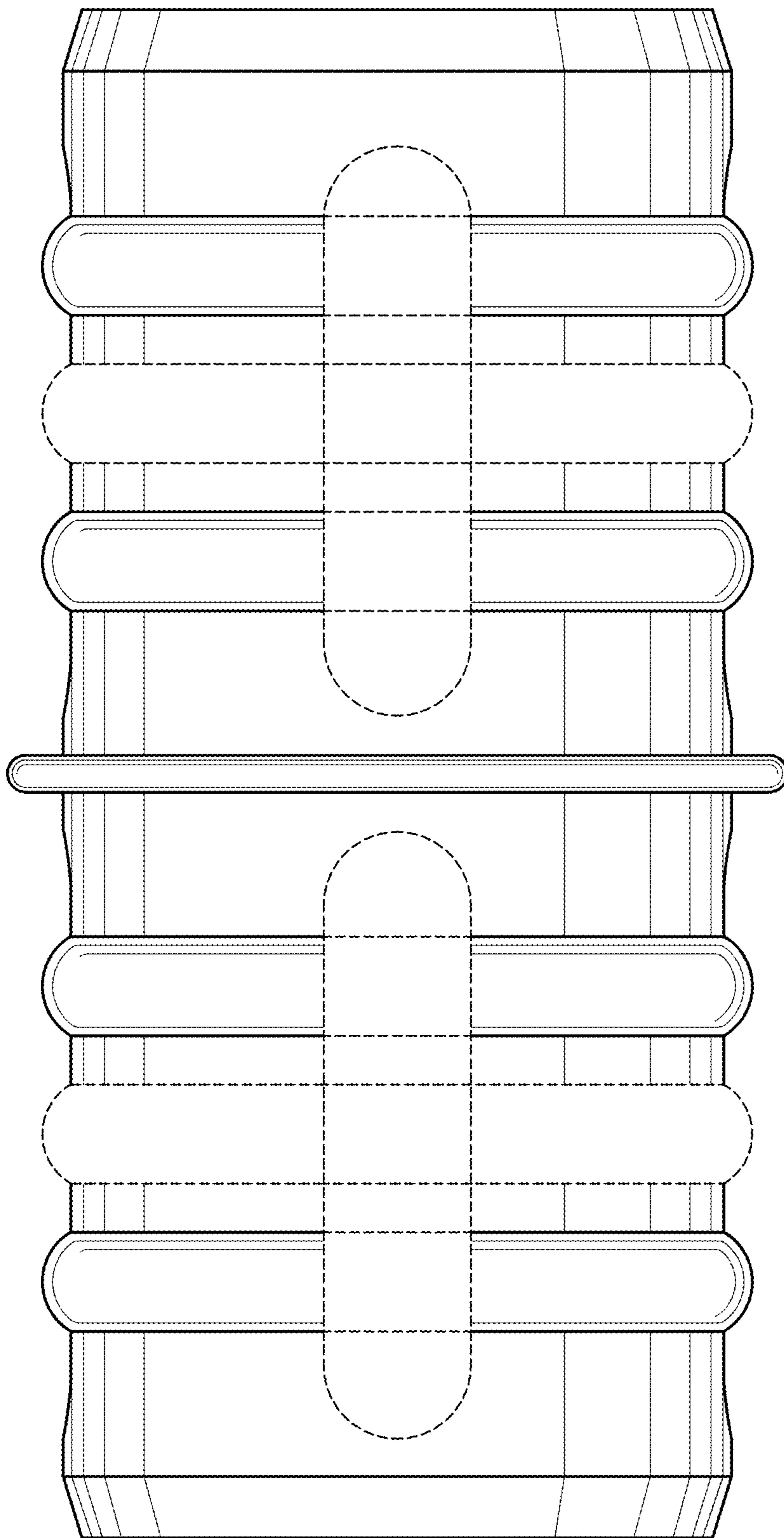


FIG. 10

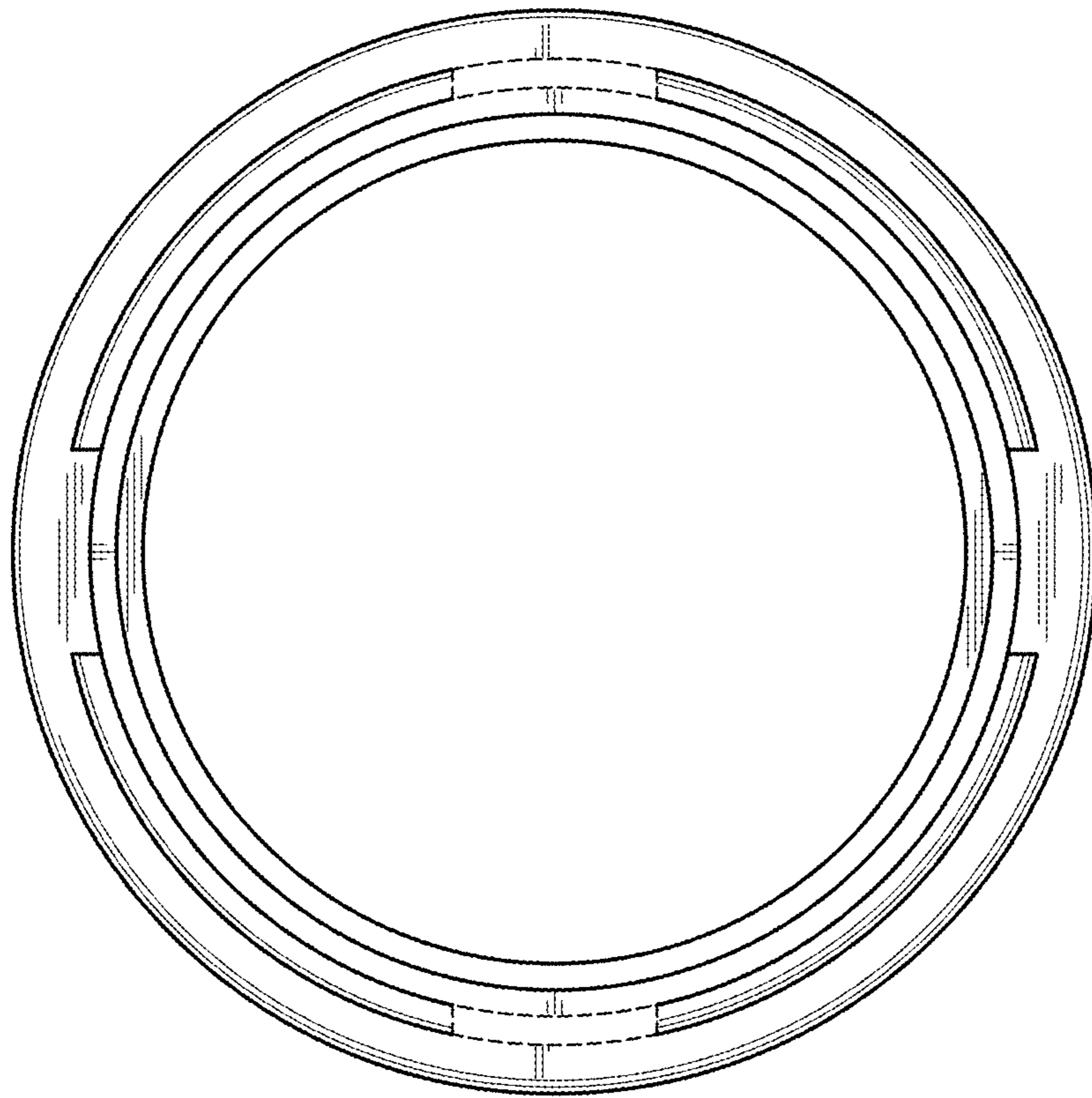


FIG. 11