

US00D774627S

(12) **United States Design Patent** (10) **Patent No.:** **US D774,627 S**
Yeh (45) **Date of Patent:** **** Dec. 20, 2016**

(54) **FAUCET HANDLE**

D534,248 S * 12/2006 Chu D23/252

(71) Applicant: **Yiu-Kuei Yeh**, Changhua (TW)

* cited by examiner

(72) Inventor: **Yiu-Kuei Yeh**, Changhua (TW)

Primary Examiner — Robert Delehanty

(73) Assignee: **Alexander Yeh Industry Co Ltd**,
Changhua (TW)

(74) *Attorney, Agent, or Firm* — Che-Yang Chen; Law
Office of Scott Warmuth

(**) Term: **14 Years**

(57) **CLAIM**

(21) Appl. No.: **29/523,506**

The ornamental design for a faucet handle, as shown and
described.

(22) Filed: **Apr. 10, 2015**

(51) **LOC (10) Cl.** **23-01**

(52) **U.S. Cl.**

USPC **D23/252**

(58) **Field of Classification Search**

USPC D23/238, 241–243, 249, 250, 252

CPC E03C 1/04; E03C 1/0401; E03C 1/0402;

E03C 1/0404

See application file for complete search history.

DESCRIPTION

FIG. 1 is a perspective view of a faucet handle showing my
new design;

FIG. 2 is a front elevational view thereof;

FIG. 3 is a rear elevational view thereof;

FIG. 4 is a left side elevational view thereof;

FIG. 5 is a right side elevational view thereof;

FIG. 6 is a top plan view thereof; and,

FIG. 7 is a bottom plan view thereof.

The broken lines showing bottom interior portions of the
handle form no part of the claimed design.

(56) **References Cited**

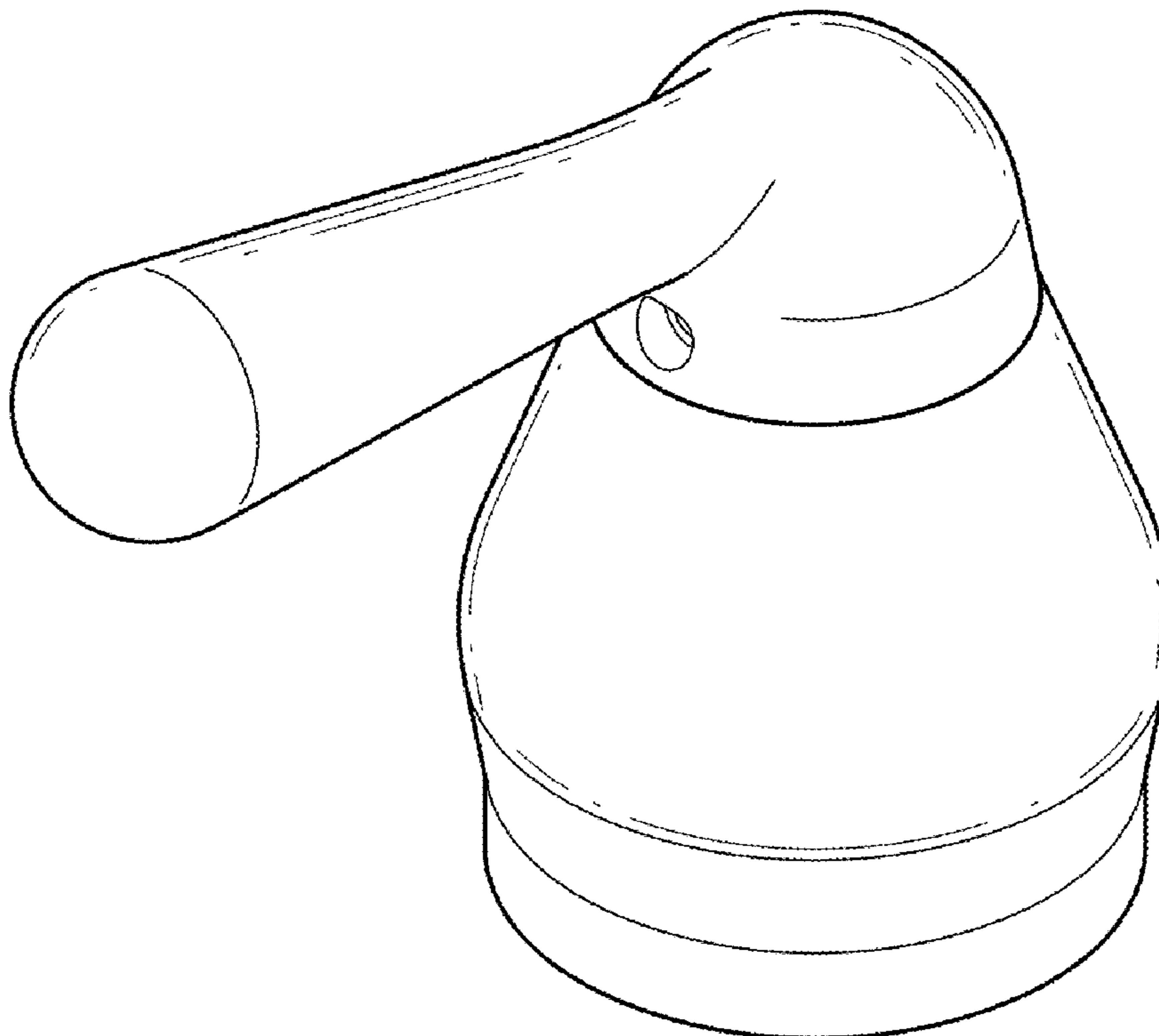
U.S. PATENT DOCUMENTS

D468,406 S * 1/2003 Sacks D23/252

D521,115 S * 5/2006 Koury D23/252

D523,935 S * 6/2006 Schaffeld D23/252

1 Claim, 4 Drawing Sheets



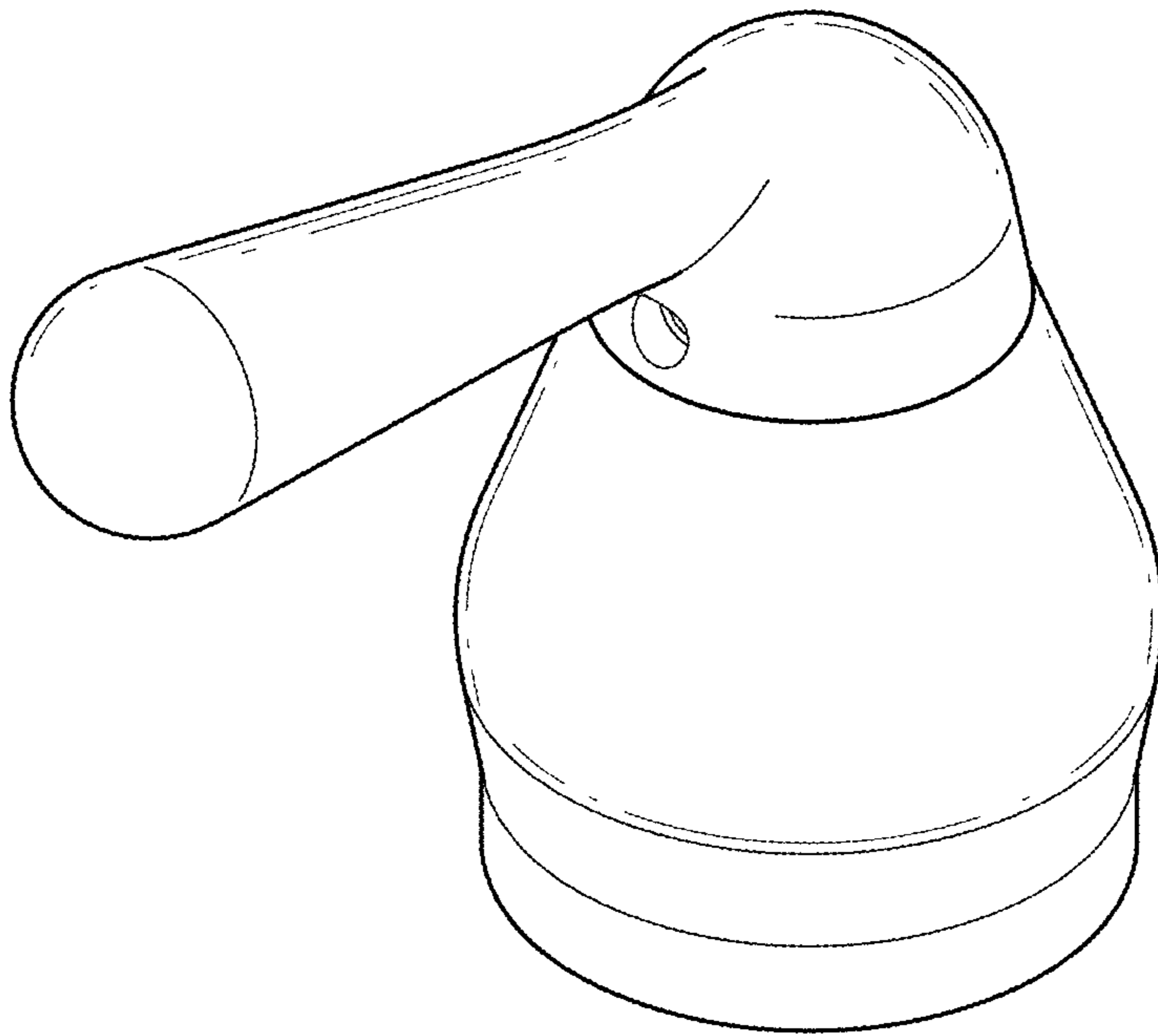


FIG. 1

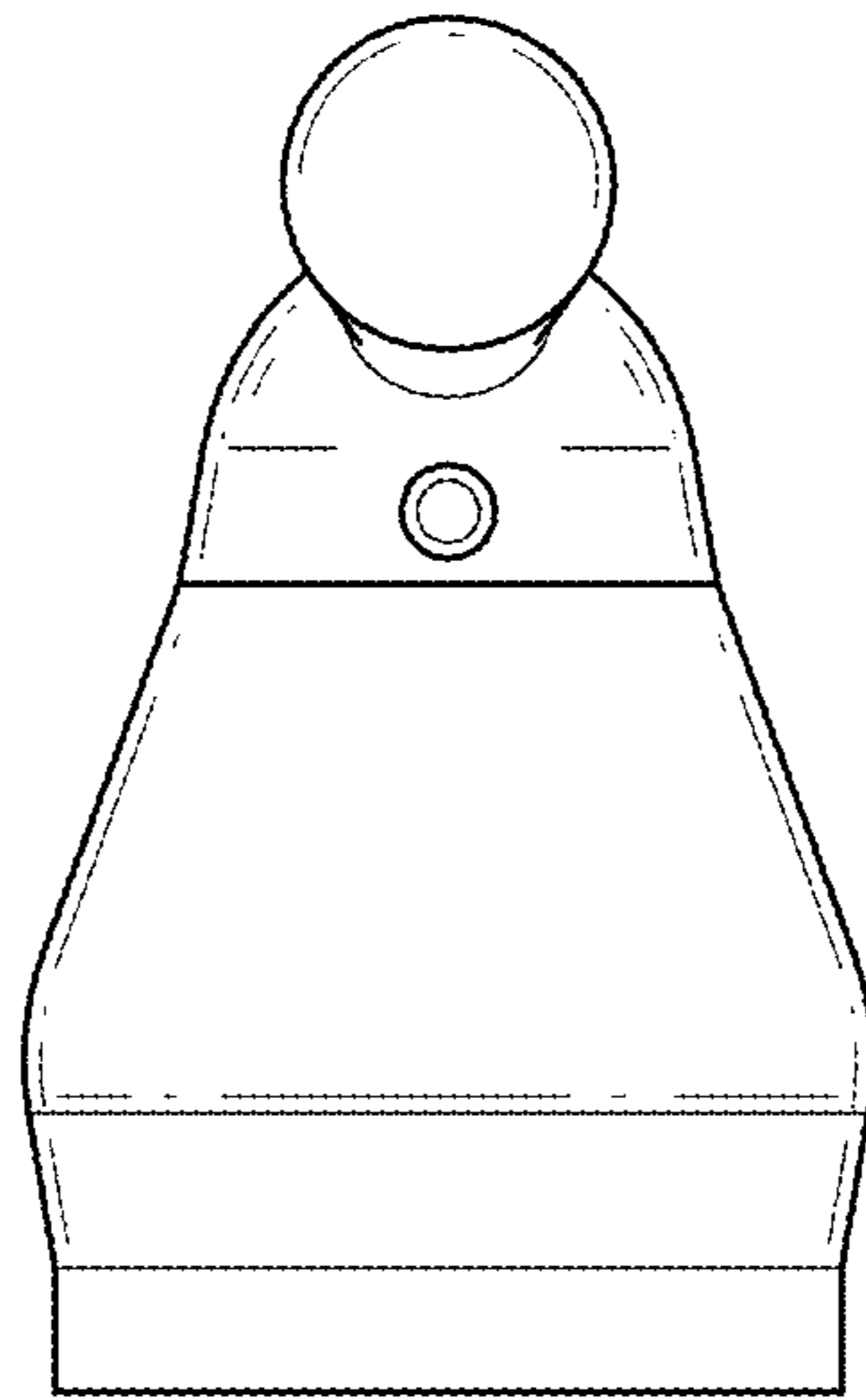


FIG. 2

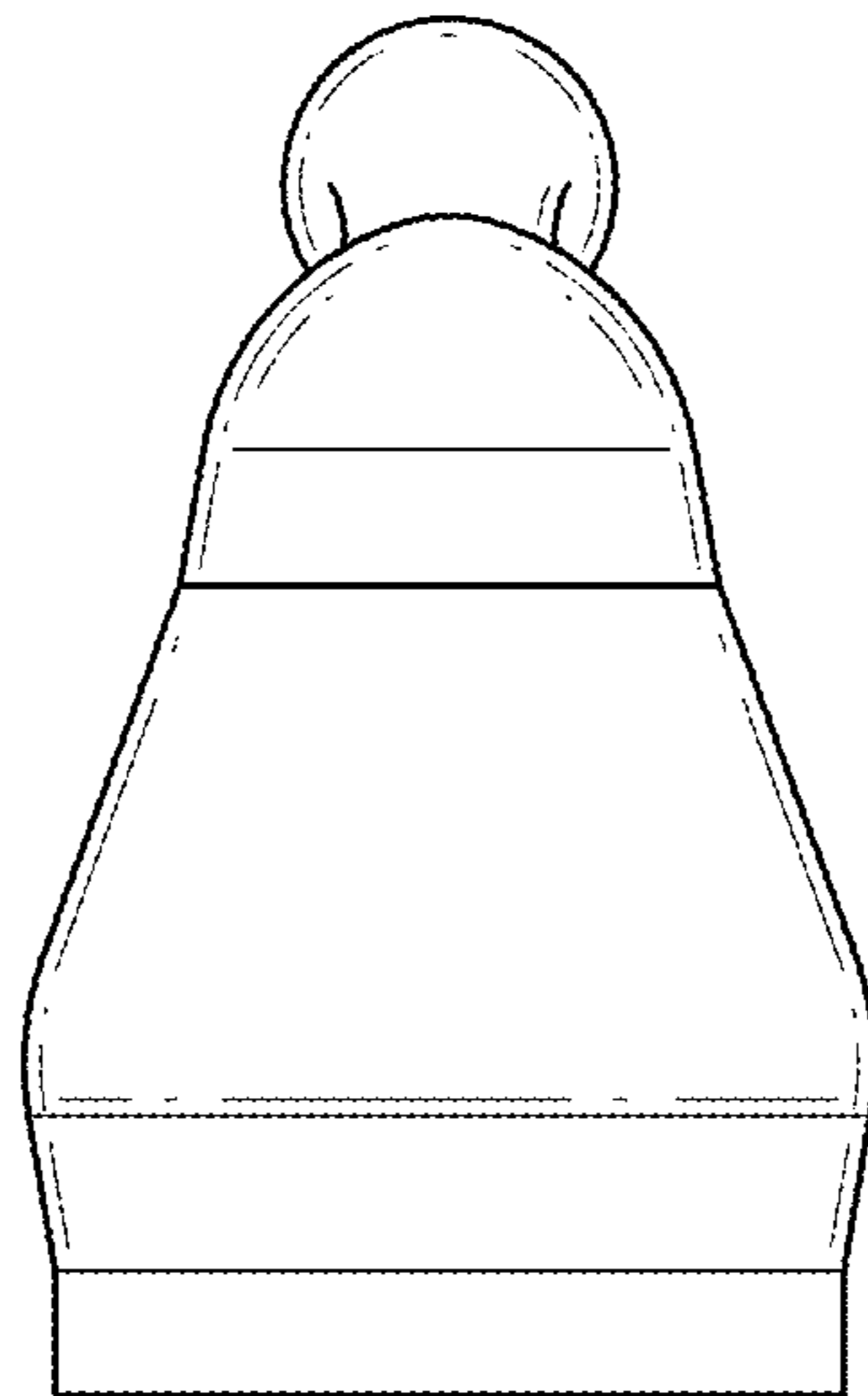


FIG. 3

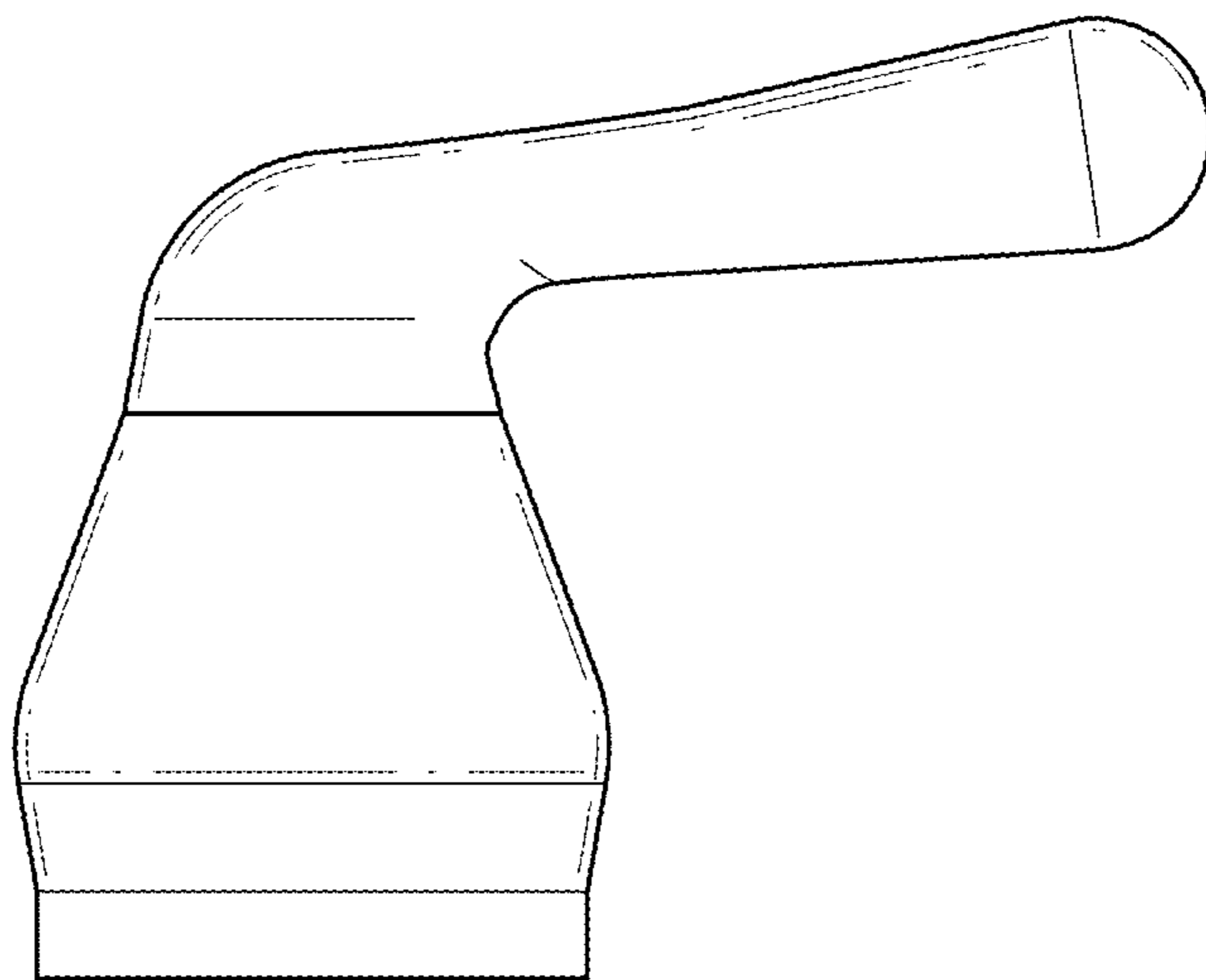


FIG. 4

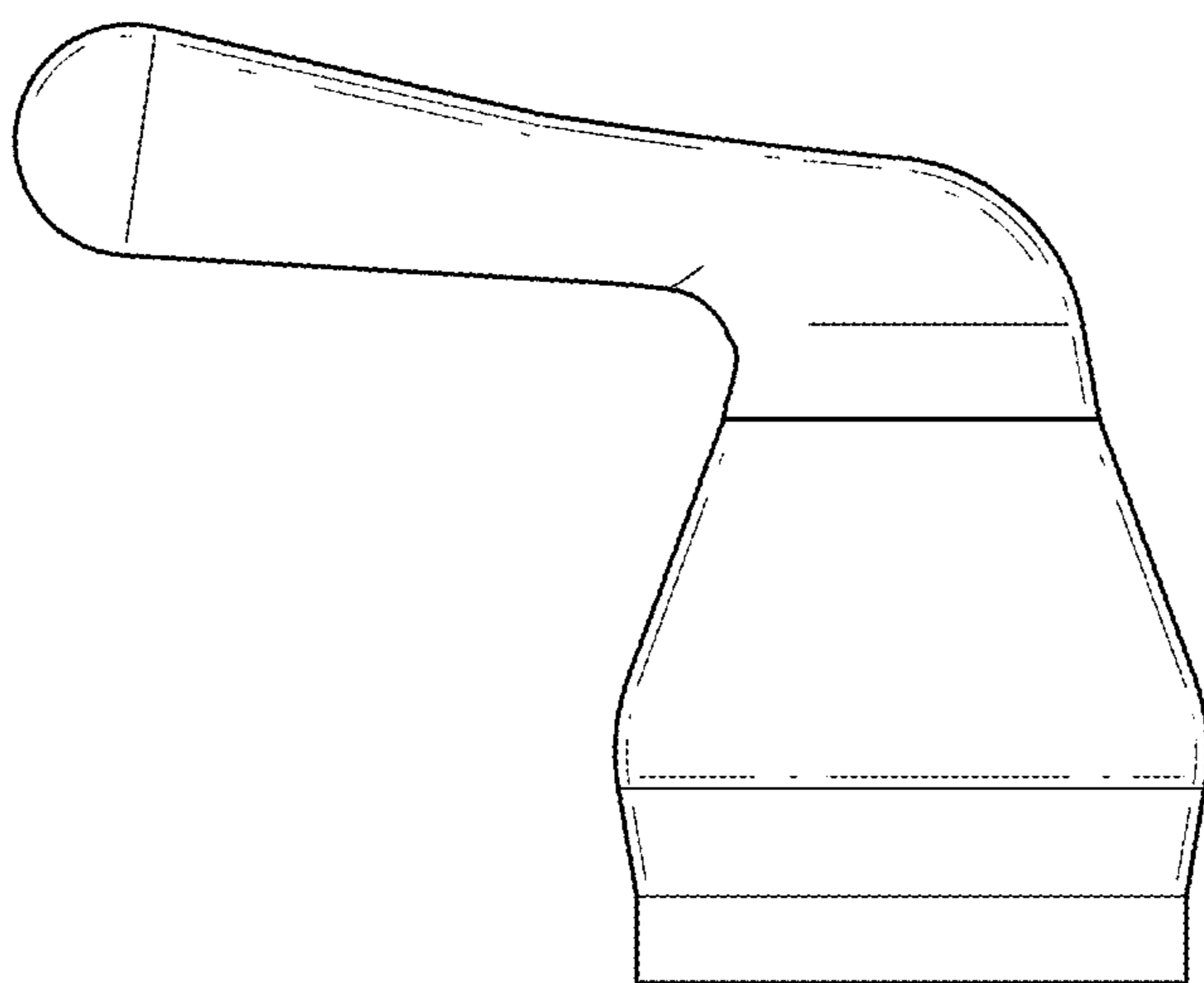


FIG. 5

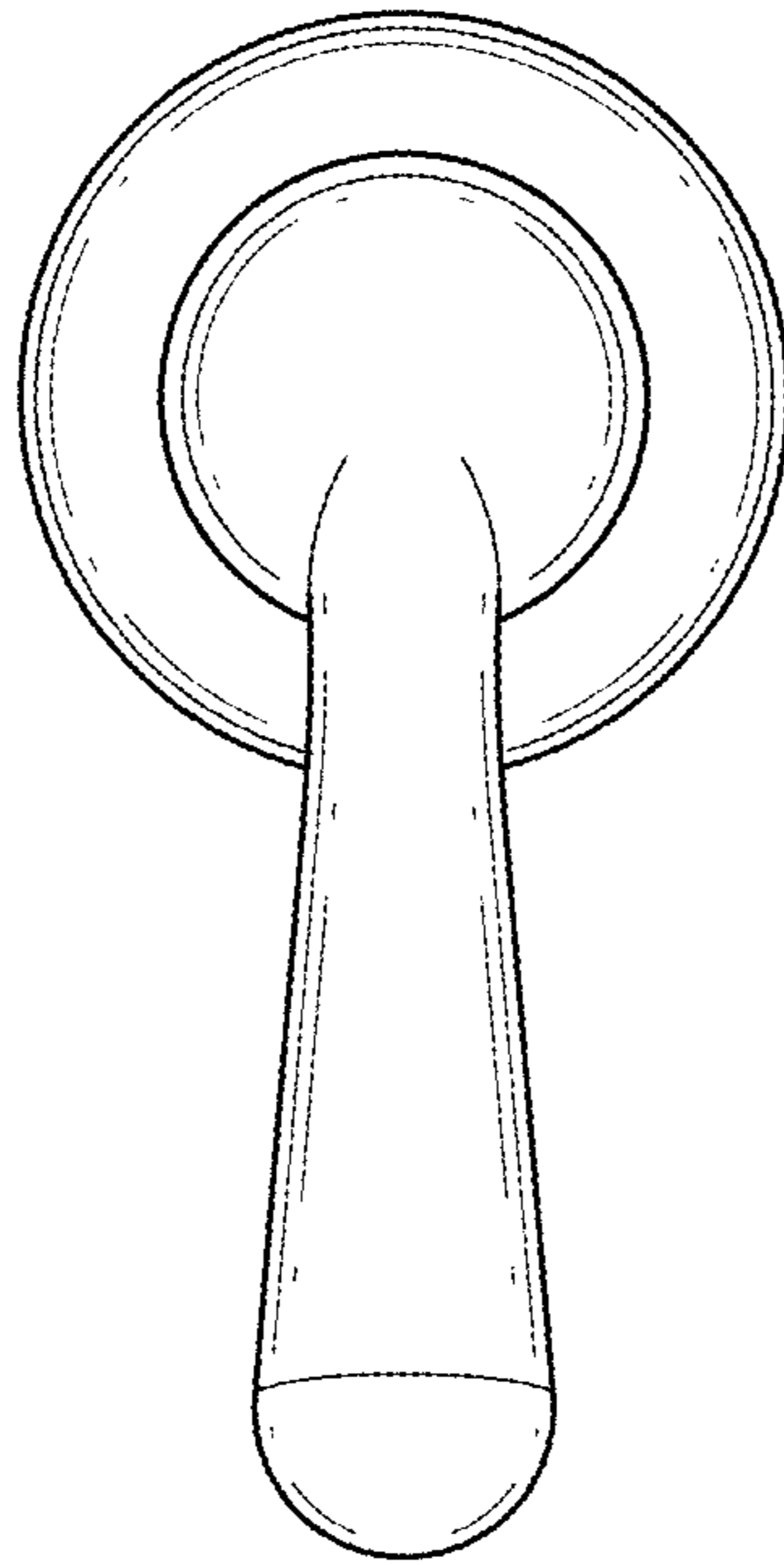


FIG. 6

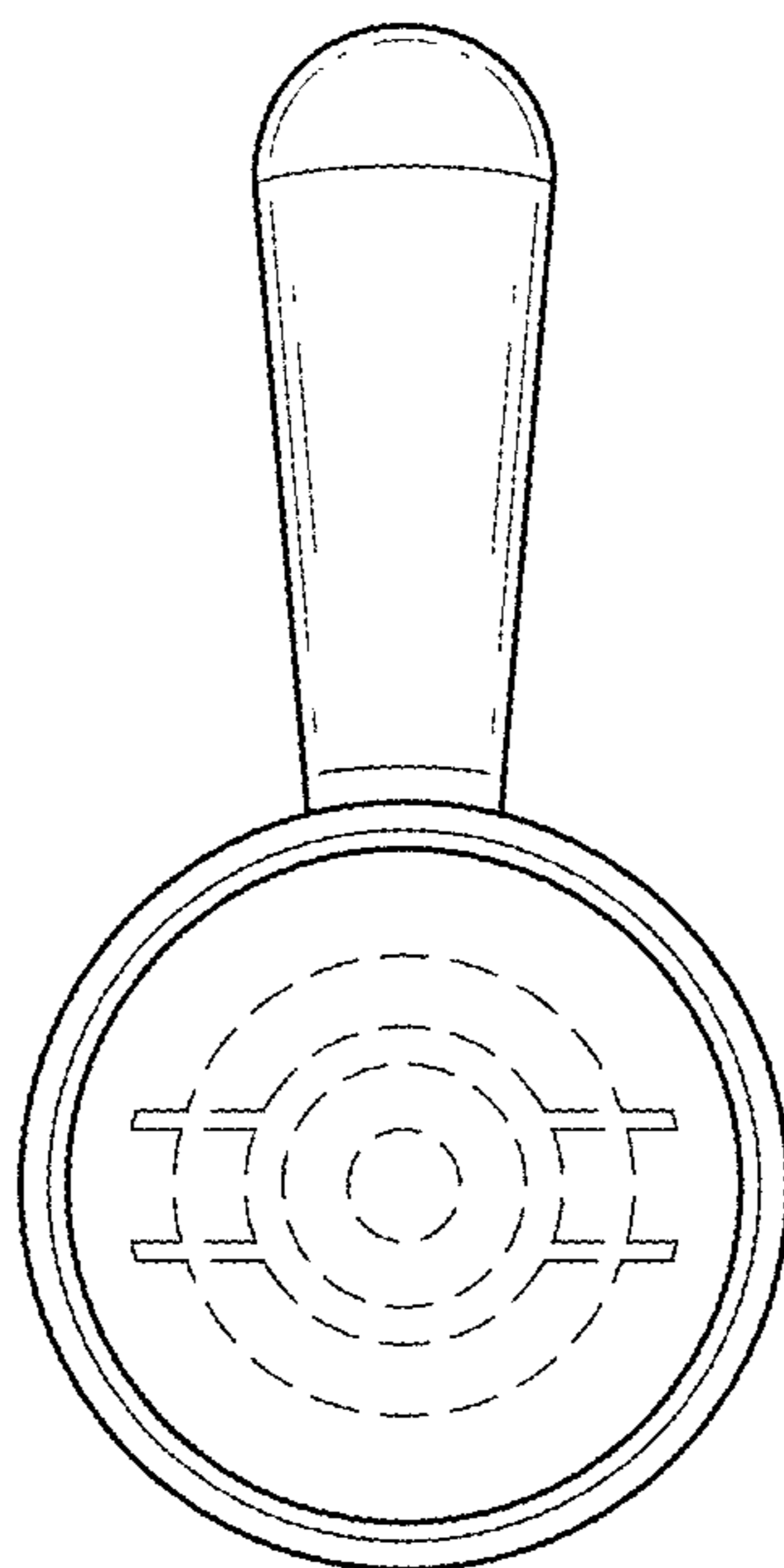


FIG. 7