



US00D774626S

(12) **United States Design Patent**  
**McMurtry**

(10) **Patent No.:** **US D774,626 S**

(45) **Date of Patent:** **\*\* Dec. 20, 2016**

(54) **SHIELD FOR A POWER SPRAYER WAND**

(71) Applicant: **Cletus James McMurtry**, Baytown,  
TX (US)

(72) Inventor: **Cletus James McMurtry**, Baytown,  
TX (US)

(\*\*) Term: **15 Years**

(21) Appl. No.: **29/541,825**

(22) Filed: **Oct. 8, 2015**

(51) **LOC (10) Cl.** ..... **23-01**

(52) **U.S. Cl.**  
USPC ..... **D23/227**

(58) **Field of Classification Search**  
USPC ..... D23/213, 223, 226, 221, 227; 239/104,  
239/288, 288.5

CPC ..... B05B 15/001  
See application file for complete search history.

D398,704 S \* 9/1998 Randle ..... D23/213  
D418,102 S \* 12/1999 Schehr ..... D12/213  
7,946,507 B2 \* 5/2011 Gauthier, III ..... A01G 13/0281  
239/1  
8,632,022 B2 \* 1/2014 Potter ..... B05B 1/267  
118/323  
D702,124 S \* 4/2014 Harrower ..... D9/448  
9,038,922 B1 \* 5/2015 McLeod ..... B05B 1/265  
239/104

\* cited by examiner

*Primary Examiner* — Robin V Webster

(74) *Attorney, Agent, or Firm* — Honigman Miller  
Schwartz and Cohn LLP

(57) **CLAIM**

The ornamental design for a shield for a power sprayer  
wand, as shown and described.

(56) **References Cited**

U.S. PATENT DOCUMENTS

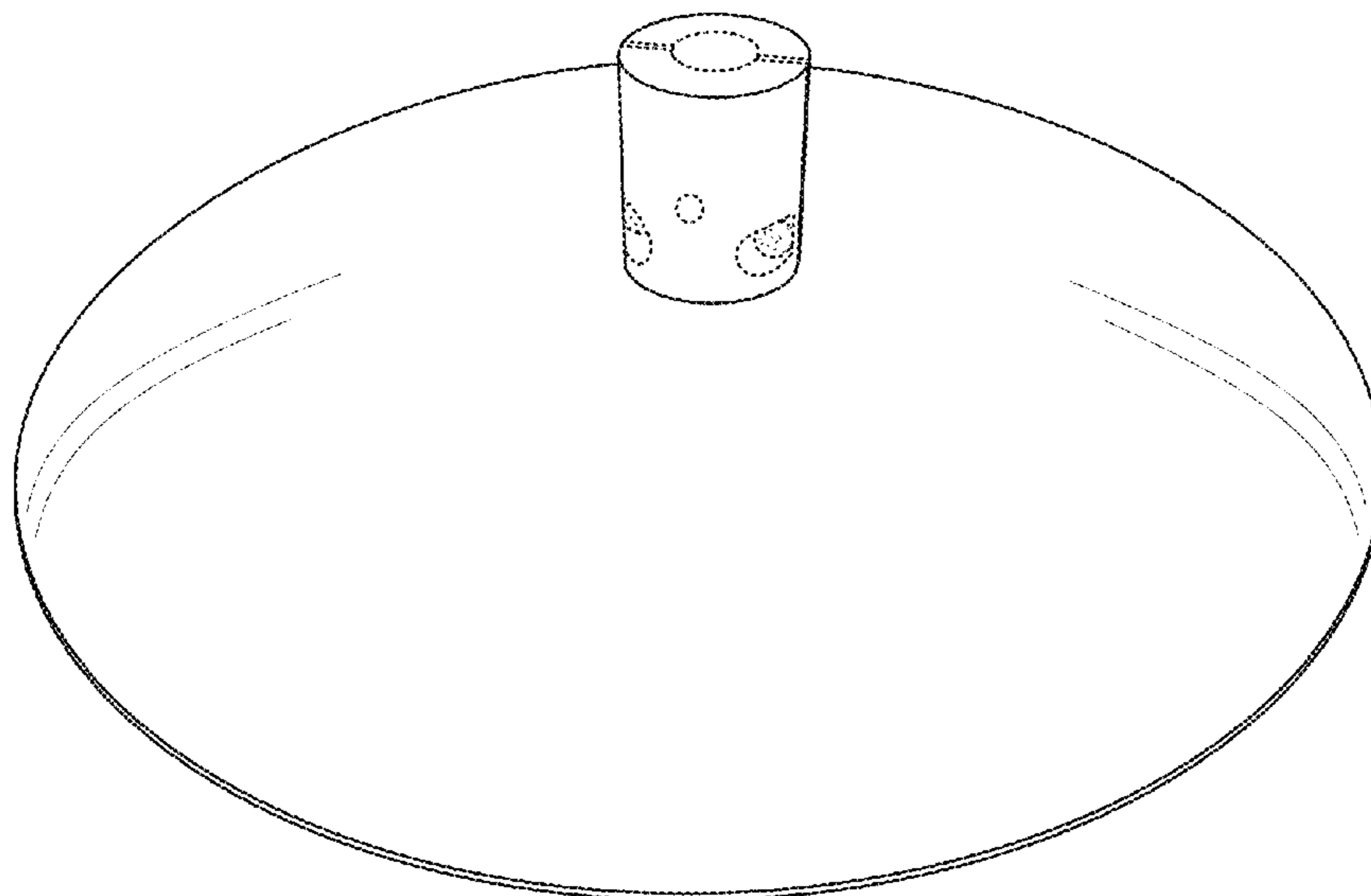
1,658,645 A \* 2/1928 McGee ..... B05B 15/00  
239/288  
2,928,610 A \* 3/1960 Fenimore ..... B05B 1/28  
239/288.5  
3,318,535 A \* 5/1967 New ..... B60S 3/044  
239/288.5  
D287,996 S \* 1/1987 Carder, Sr. .... D23/227  
4,767,056 A \* 8/1988 Demetrius ..... B05B 15/0443  
239/288  
5,170,943 A \* 12/1992 Artzberger ..... E02F 3/9206  
137/625.27  
D356,361 S \* 3/1995 Feldt ..... D23/227  
D374,915 S \* 10/1996 Copp ..... D23/213

**DESCRIPTION**

FIG. 1 is a top perspective view of a shield for a power  
sprayer wand, showing my new design;  
FIG. 2 is a bottom perspective view thereof;  
FIG. 3 is a front view thereof;  
FIG. 4 is a back view thereof;  
FIG. 5 is a top view thereof;  
FIG. 6 is a bottom view thereof;  
FIG. 7 is a right side thereof; and,  
FIG. 8 is a left side thereof.

The dashed lines in the drawings depict portions of the  
design that form no part of the claim.

**1 Claim, 8 Drawing Sheets**



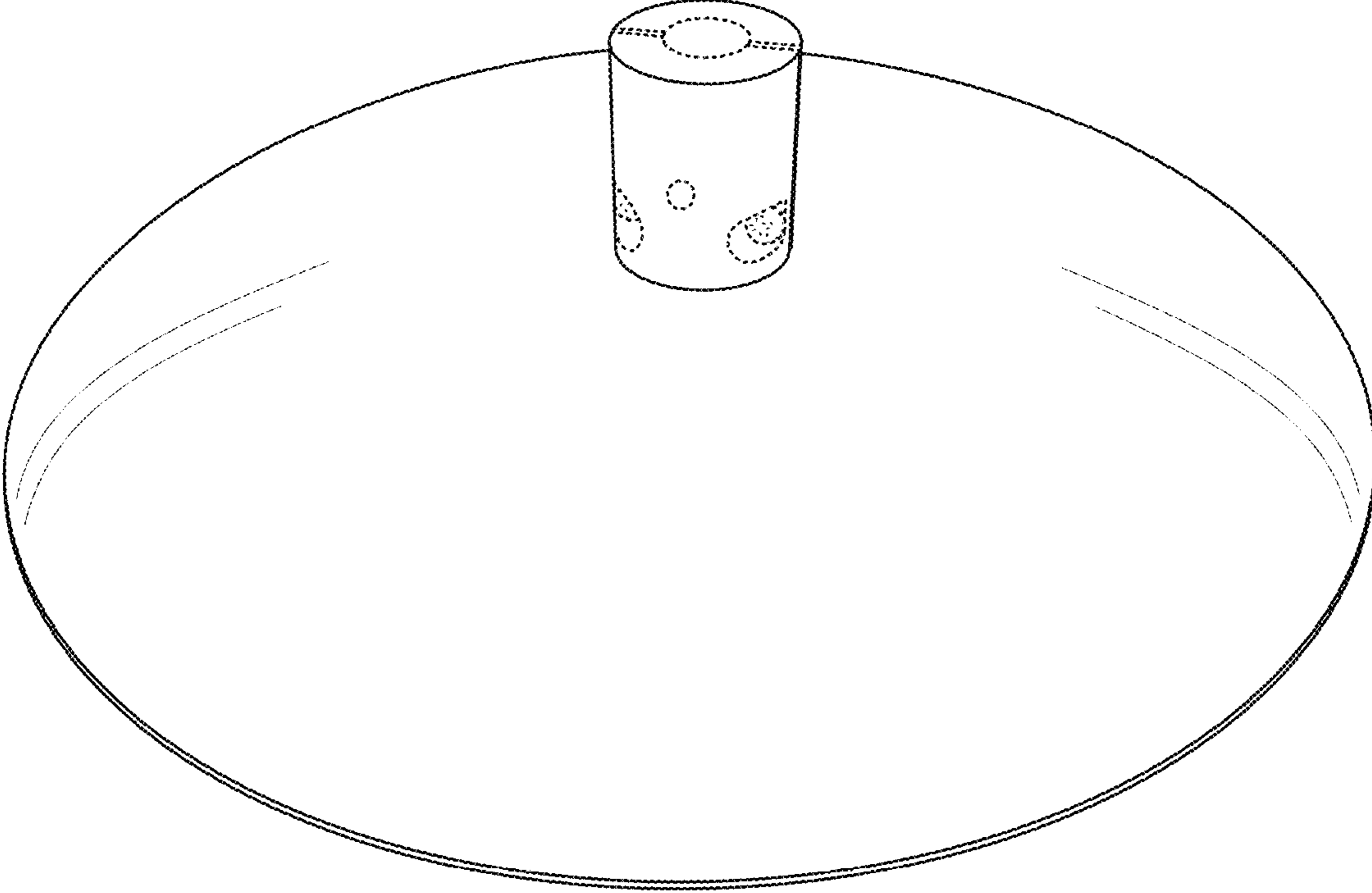


FIG 1

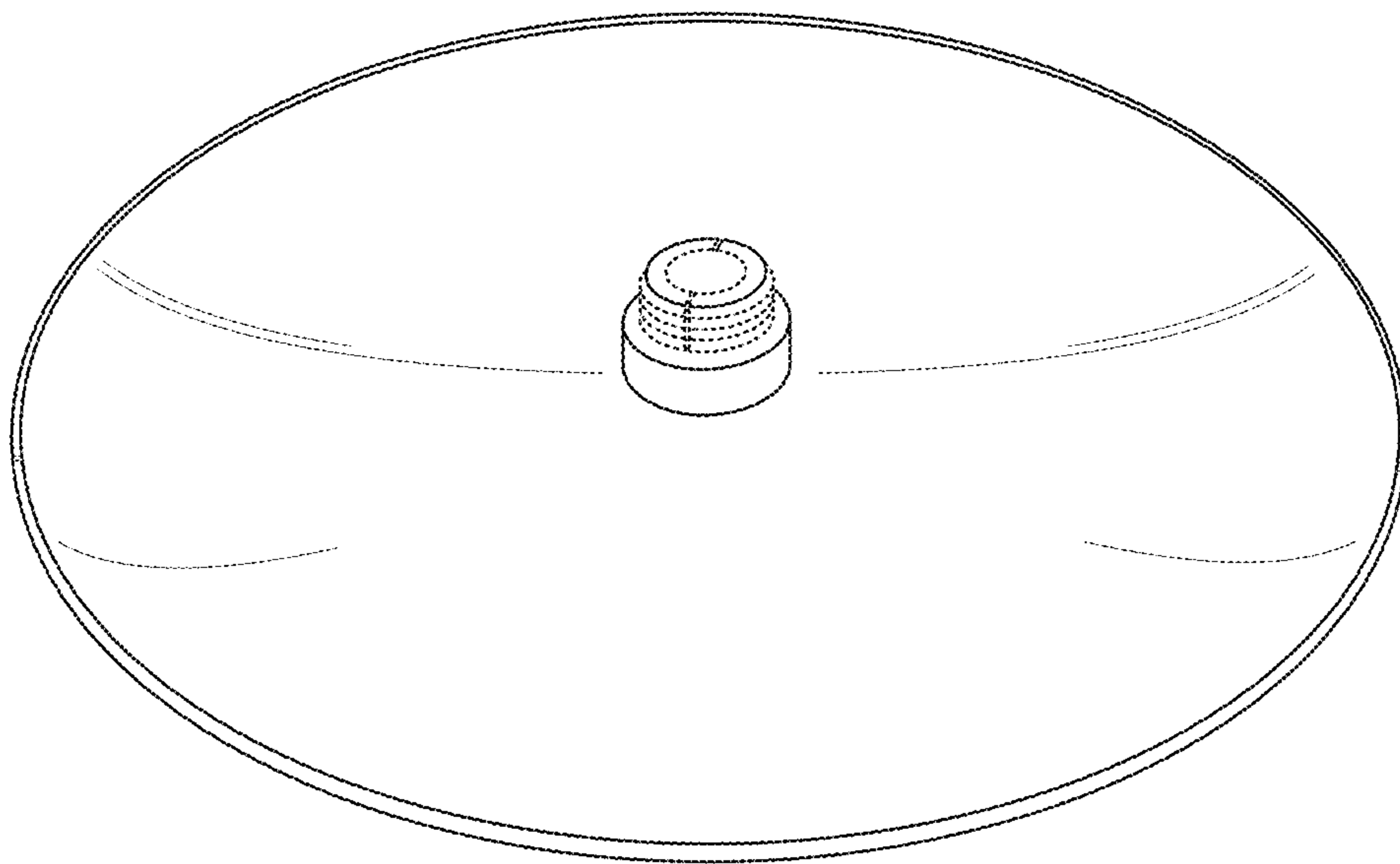


FIG 2

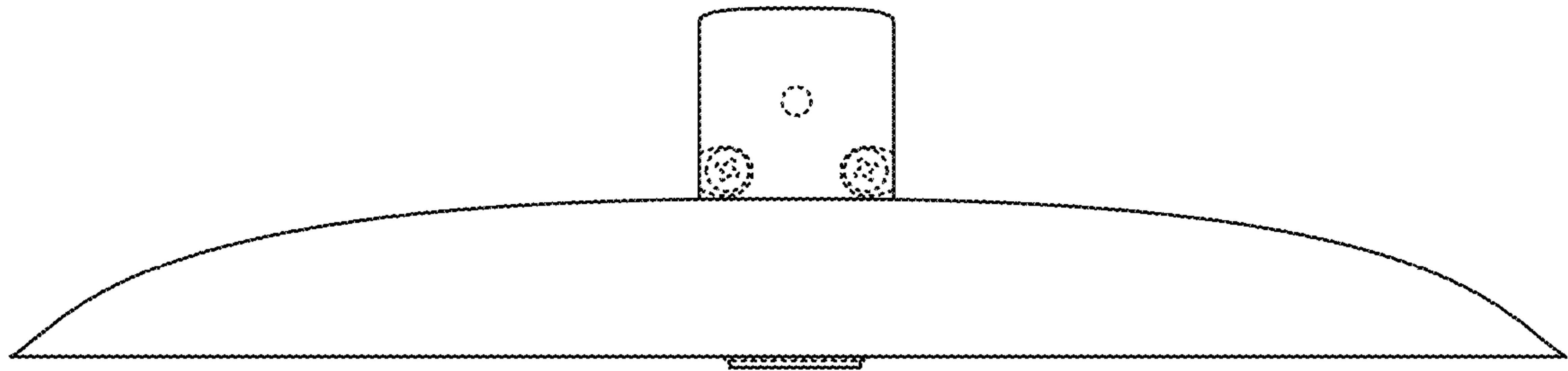


FIG 3

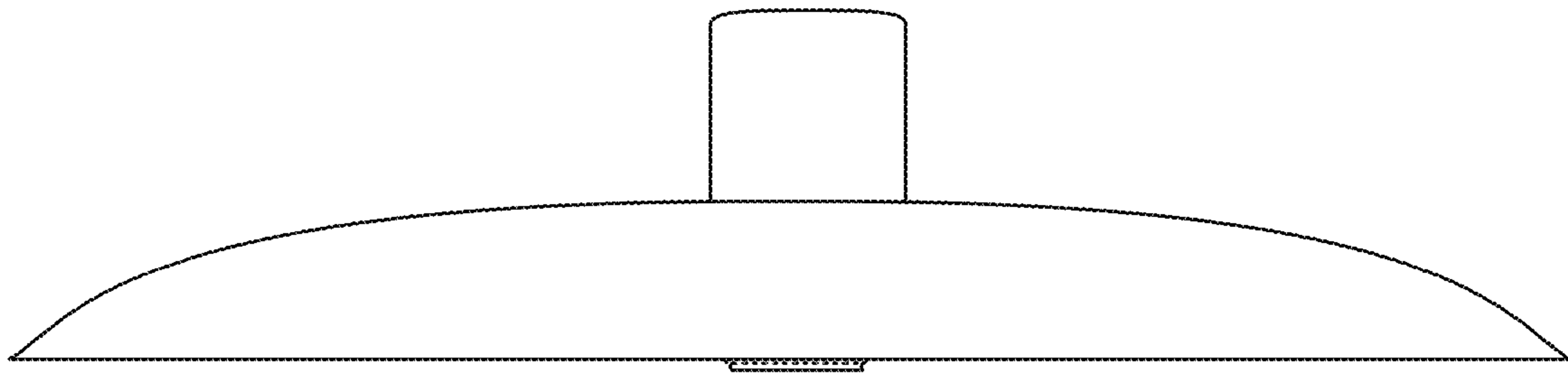


FIG 4

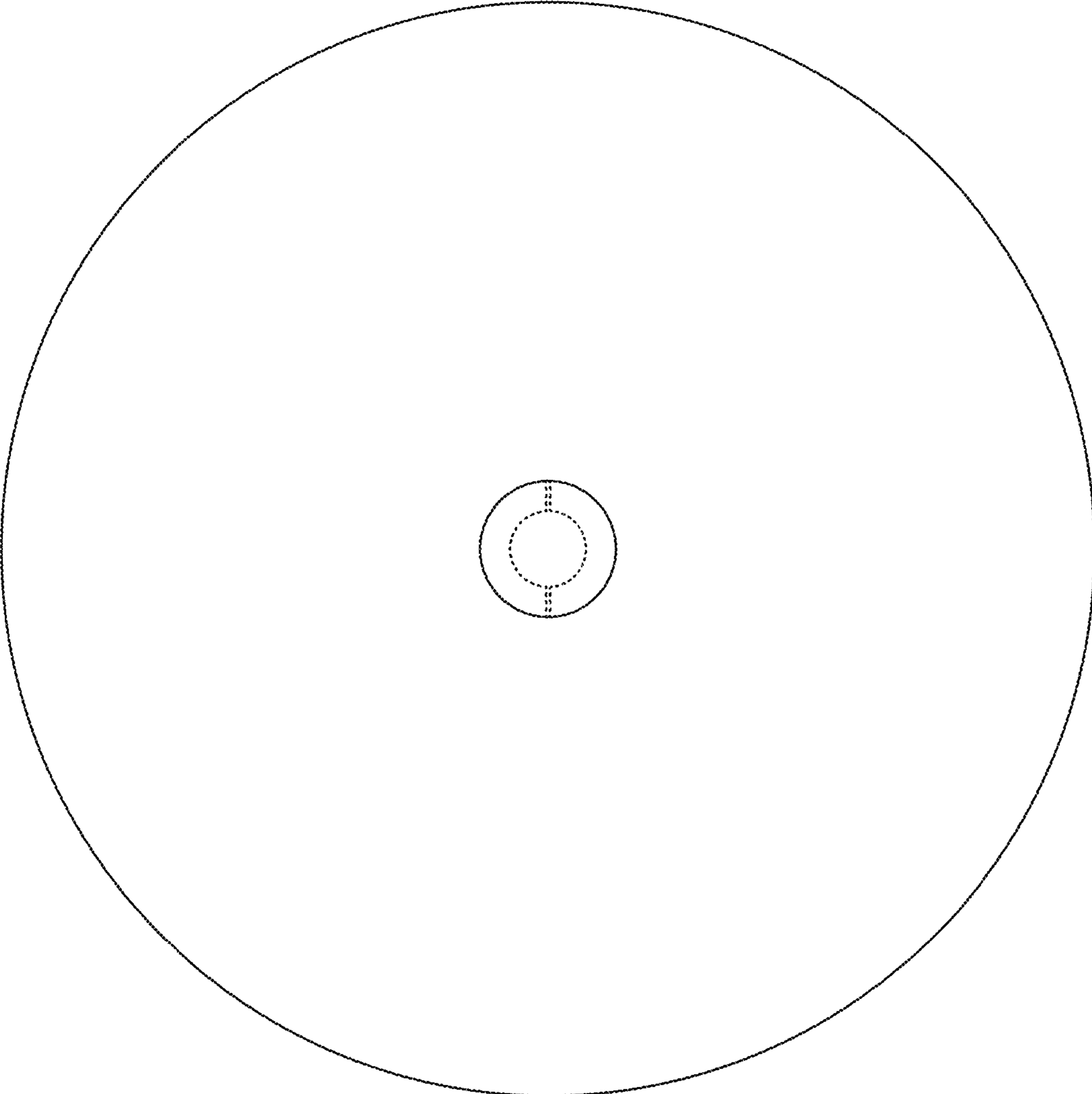


FIG 5



FIG 6

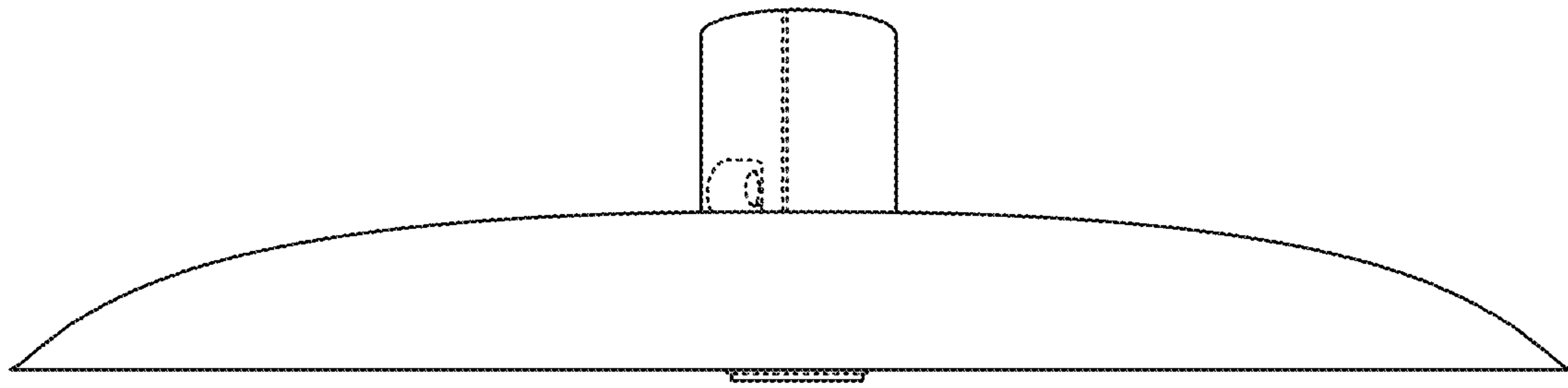


FIG 7



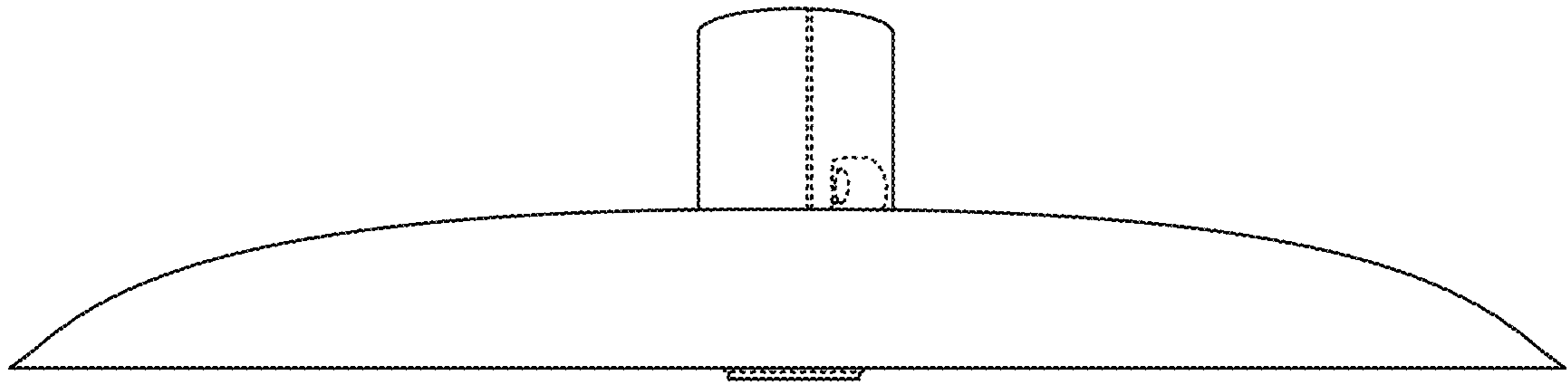


FIG 8