



US00D774624S

(12) **United States Design Patent**
Boughton et al.

(10) **Patent No.:** **US D774,624 S**

(45) **Date of Patent:** **** Dec. 20, 2016**

(54) **GARDEN IRRIGATION MICRO DRIPPER**

(71) Applicant: **Hozelock Limited**, Birmingham (GB)

(72) Inventors: **Robert Boughton**, Twyford (GB); **Matt Gossington**, Handsacre (GB)

(73) Assignee: **SA EXEL INDUSTRIES**, Paris (FR)

(**) Term: **15 Years**

(21) Appl. No.: **29/541,415**

(22) Filed: **Oct. 2, 2015**

(30) **Foreign Application Priority Data**

Apr. 2, 2015 (EM) 001433312-0003

(51) **LOC (10) Cl.** **23-01**

(52) **U.S. Cl.**
USPC **D23/214**

(58) **Field of Classification Search**
USPC D23/213, 214, 217, 221; 239/201, 542
CPC A01G 25/023
See application file for complete search history.

(56) **References Cited**

U.S. PATENT DOCUMENTS

D239,773 S * 5/1976 Wichman et al. D23/214
4,365,750 A * 12/1982 Carlberg B05B 1/12
239/276
D294,964 S * 3/1988 Mendenhall D23/214

4,732,329 A * 3/1988 Martin A01G 25/023
239/271

7,156,326 B1 * 1/2007 Chou B05B 1/304
239/452

D566,230 S * 4/2008 Causby D23/214

8,662,414 B2 * 3/2014 Causby 137/859

* cited by examiner

Primary Examiner — Robin V Webster

(74) *Attorney, Agent, or Firm* — Heslin Rothenberg
Farley & Mesiti P.C.; Victor A. Cardona, Esq.

(57) **CLAIM**

We claim the ornamental design for a garden irrigation micro dripper, as shown and described.

DESCRIPTION

FIG. 1 is a top elevational view of a garden irrigation micro dripper comprising the new design.

FIG. 2 is a bottom elevational view thereof;

FIG. 3 is a right side elevational view thereof;

FIG. 4 is a left side elevational view thereof;

FIG. 5 is a front elevational view thereof;

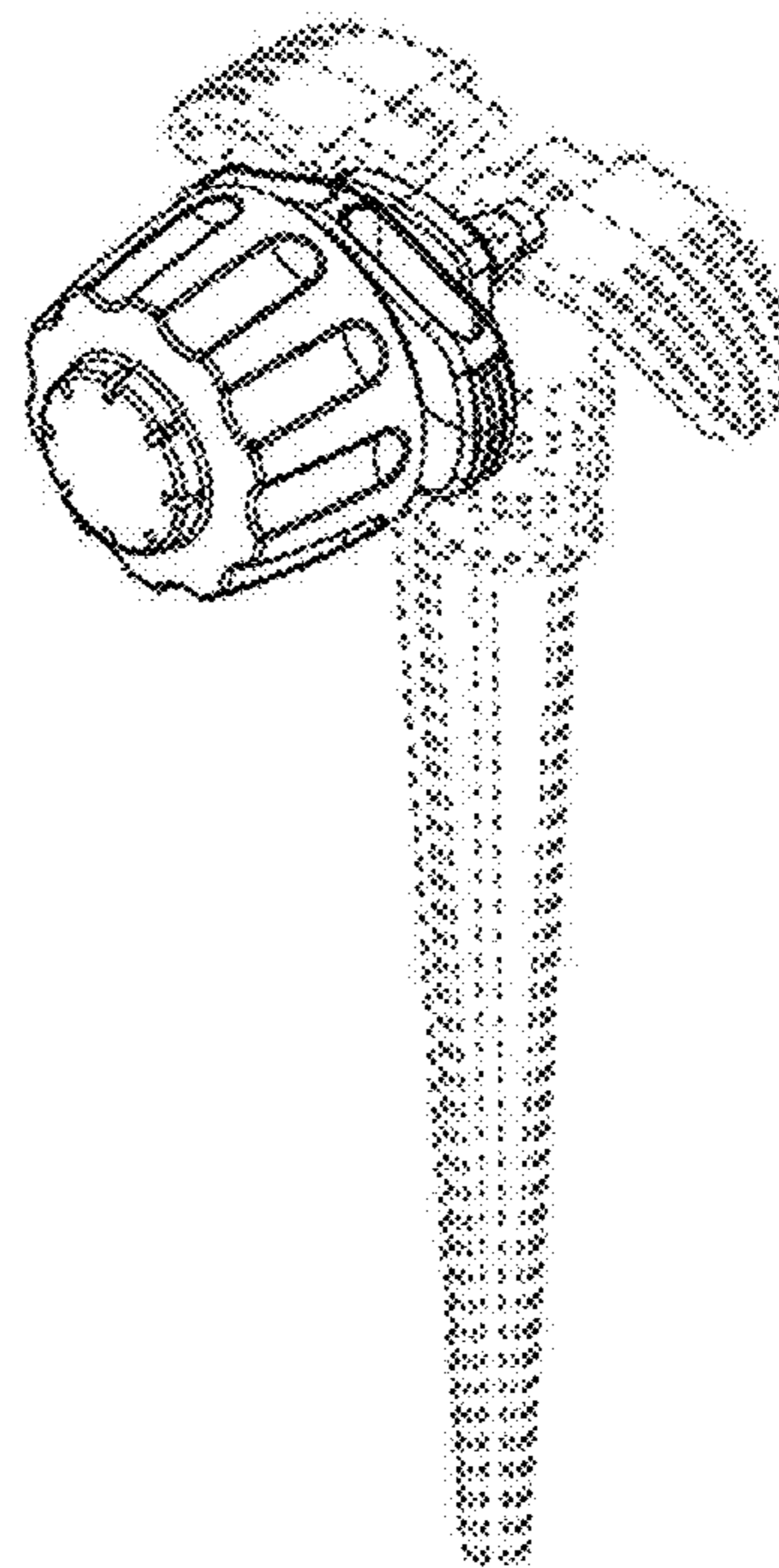
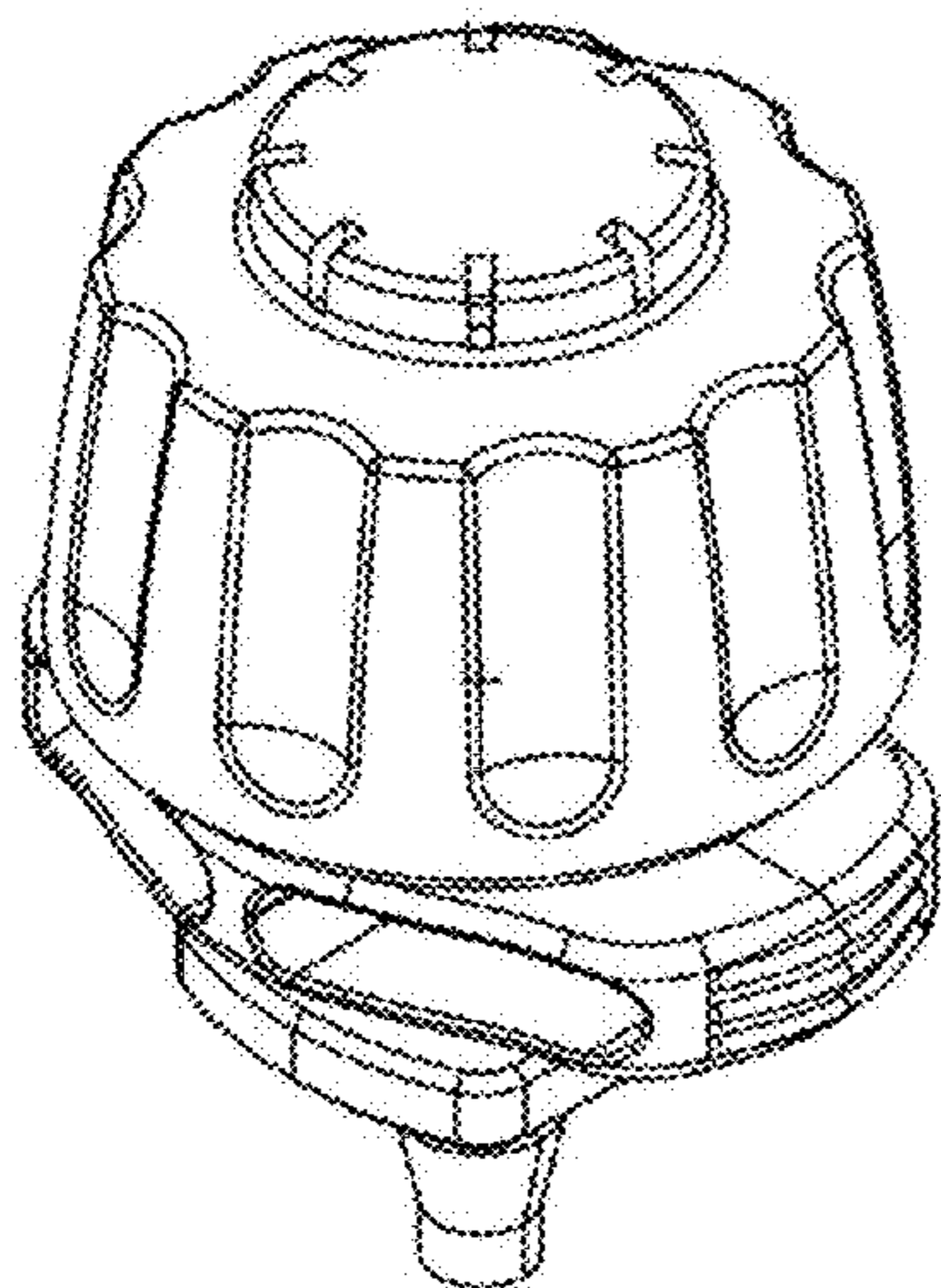
FIG. 6 is a rear elevational view thereof;

FIG. 7 is a perspective view thereof; and,

FIG. 8 is a perspective view thereof showing a spike in phantom broken lines for purposes of illustrating environmental structure only.

The broken lines shown in the drawings illustrate portions of the garden irrigation micro dripper that form no part of the claimed design.

1 Claim, 8 Drawing Sheets



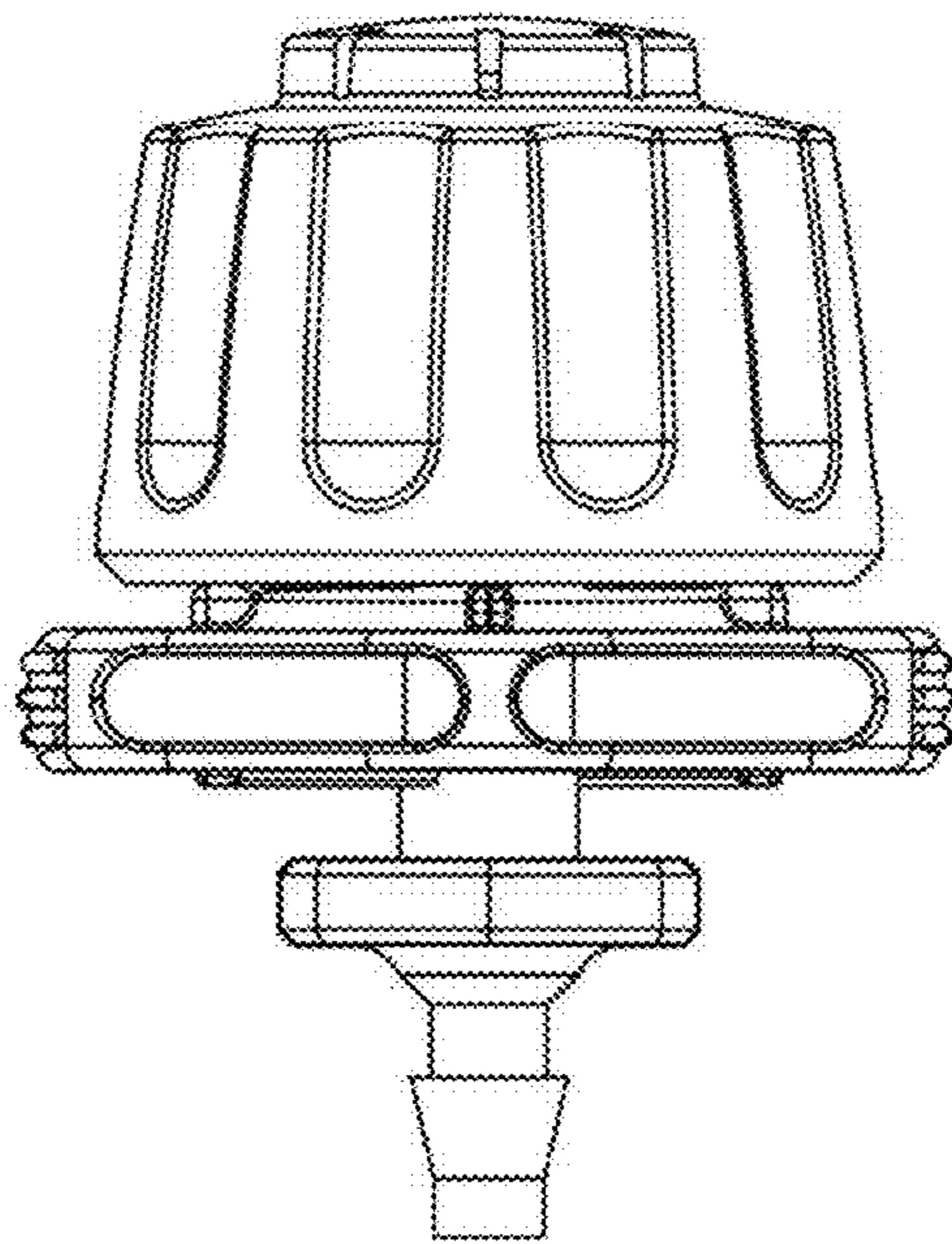


FIG. 1

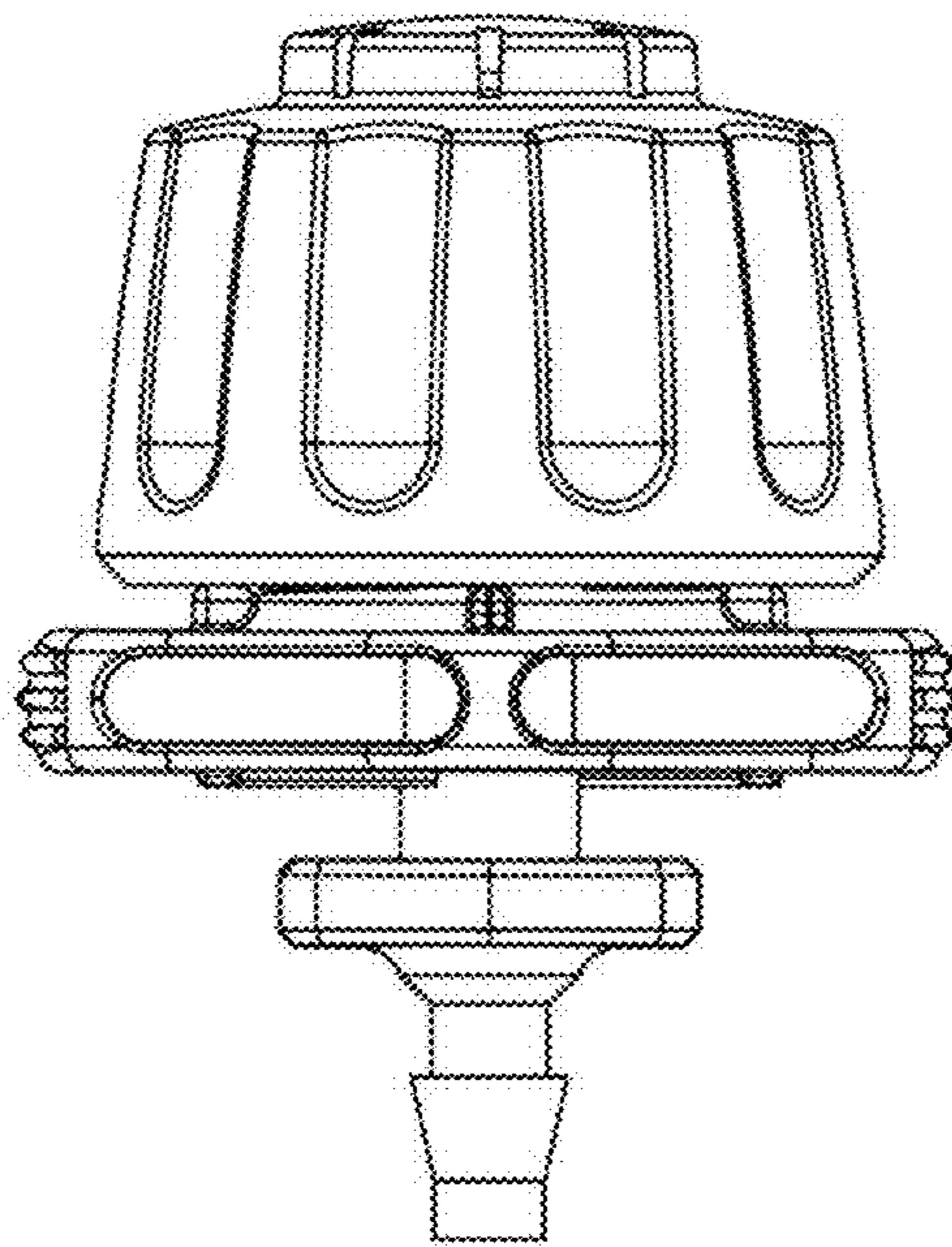


FIG. 2

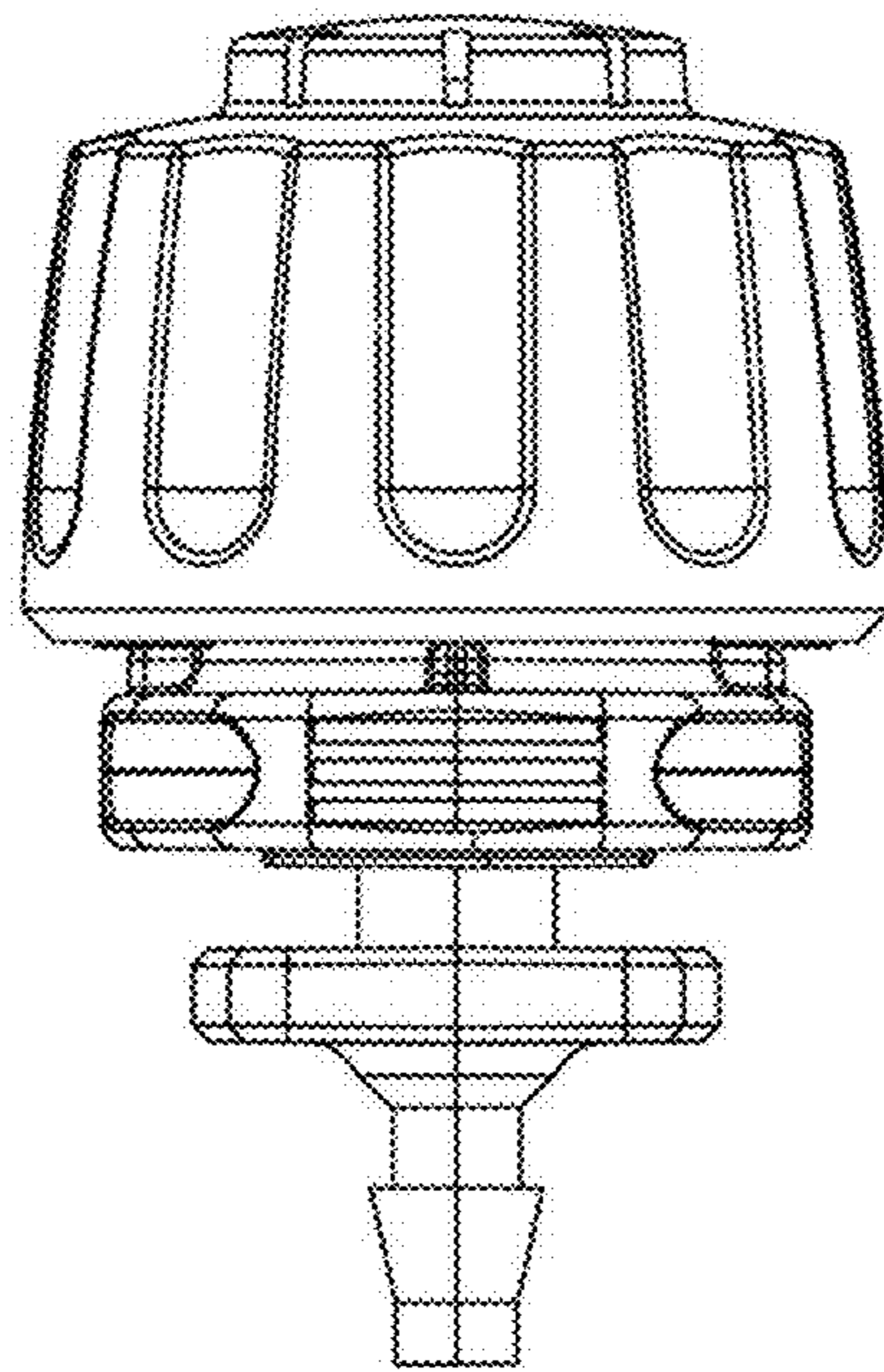


FIG. 3

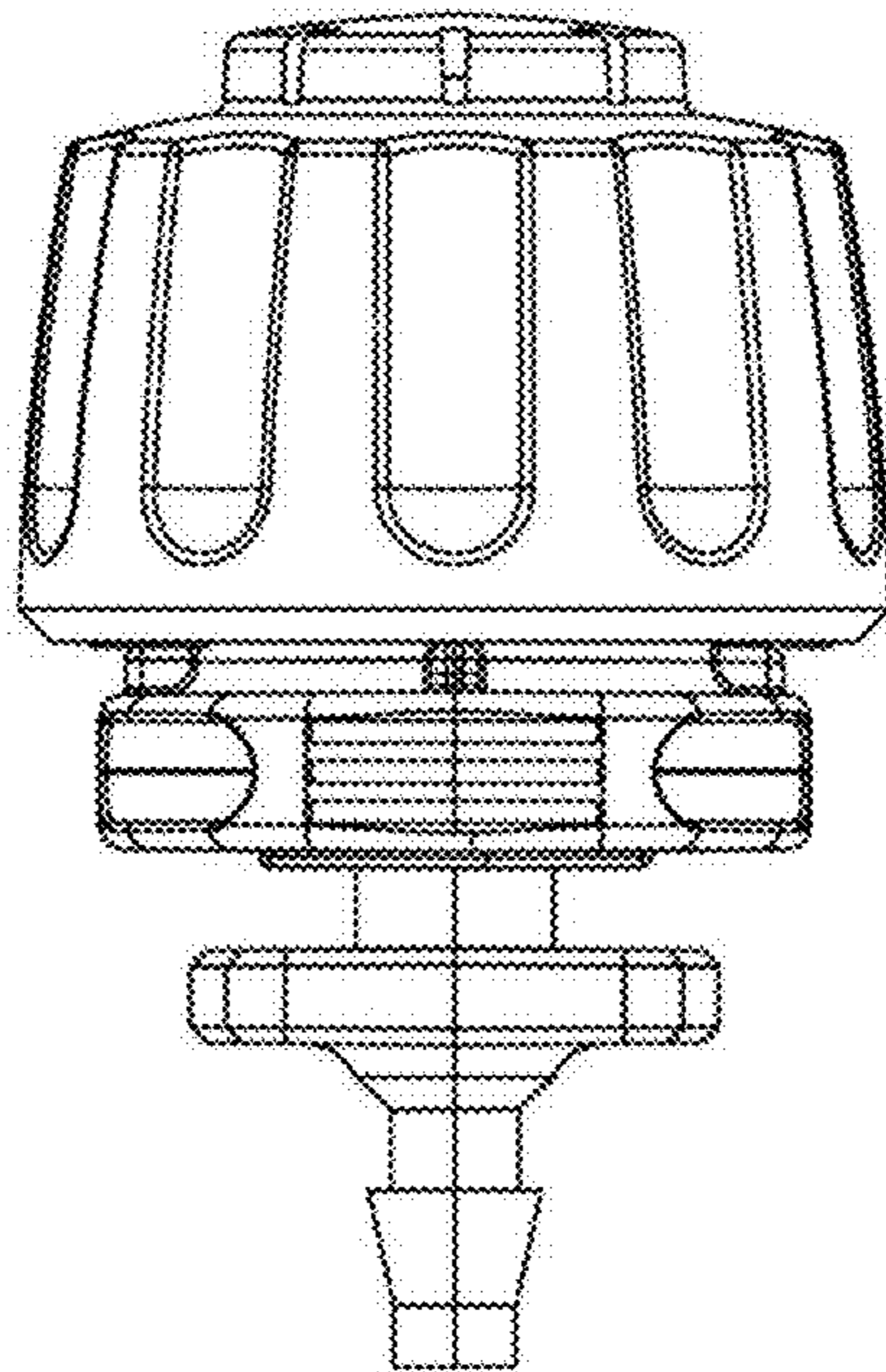


FIG. 4

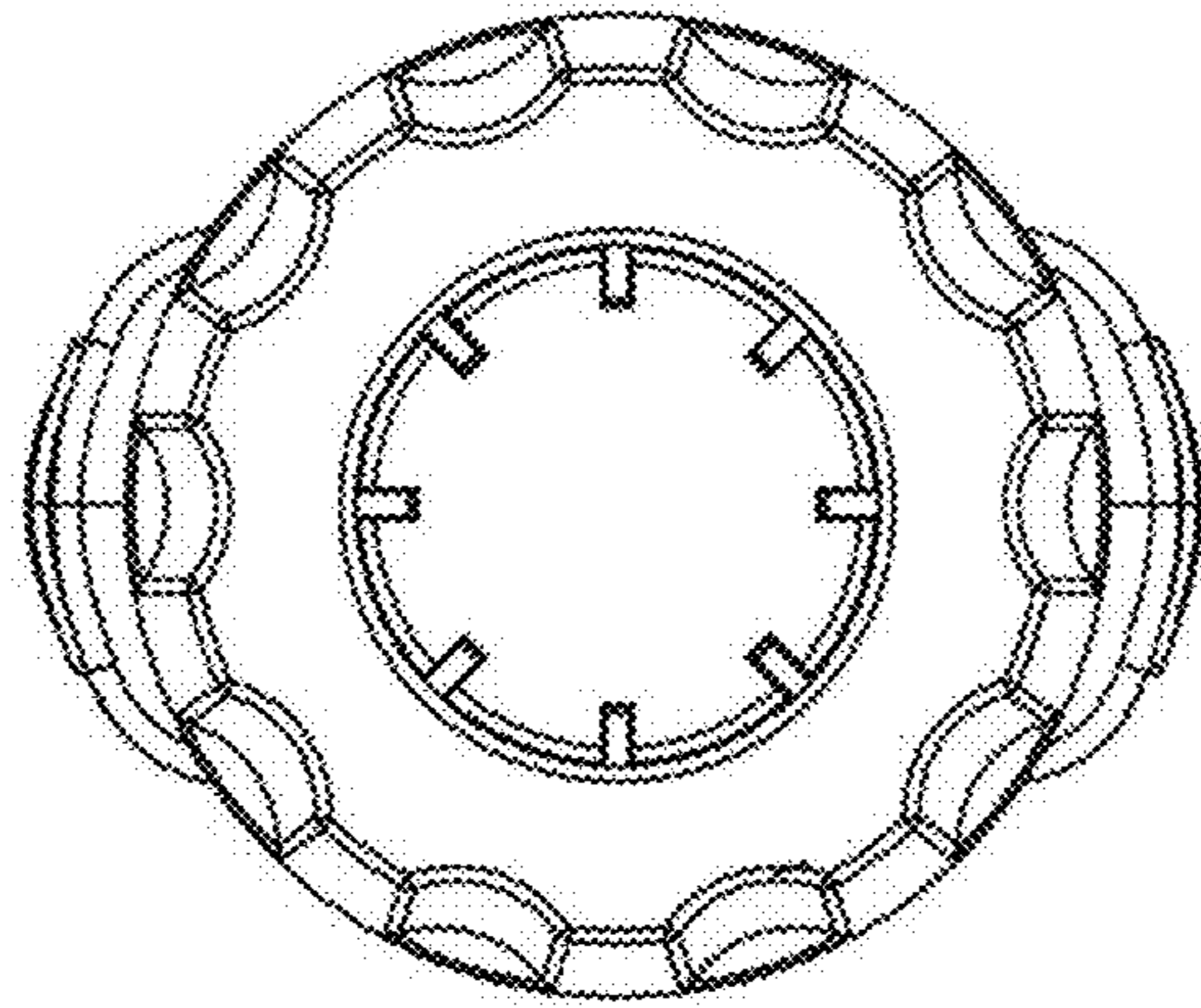


FIG. 5

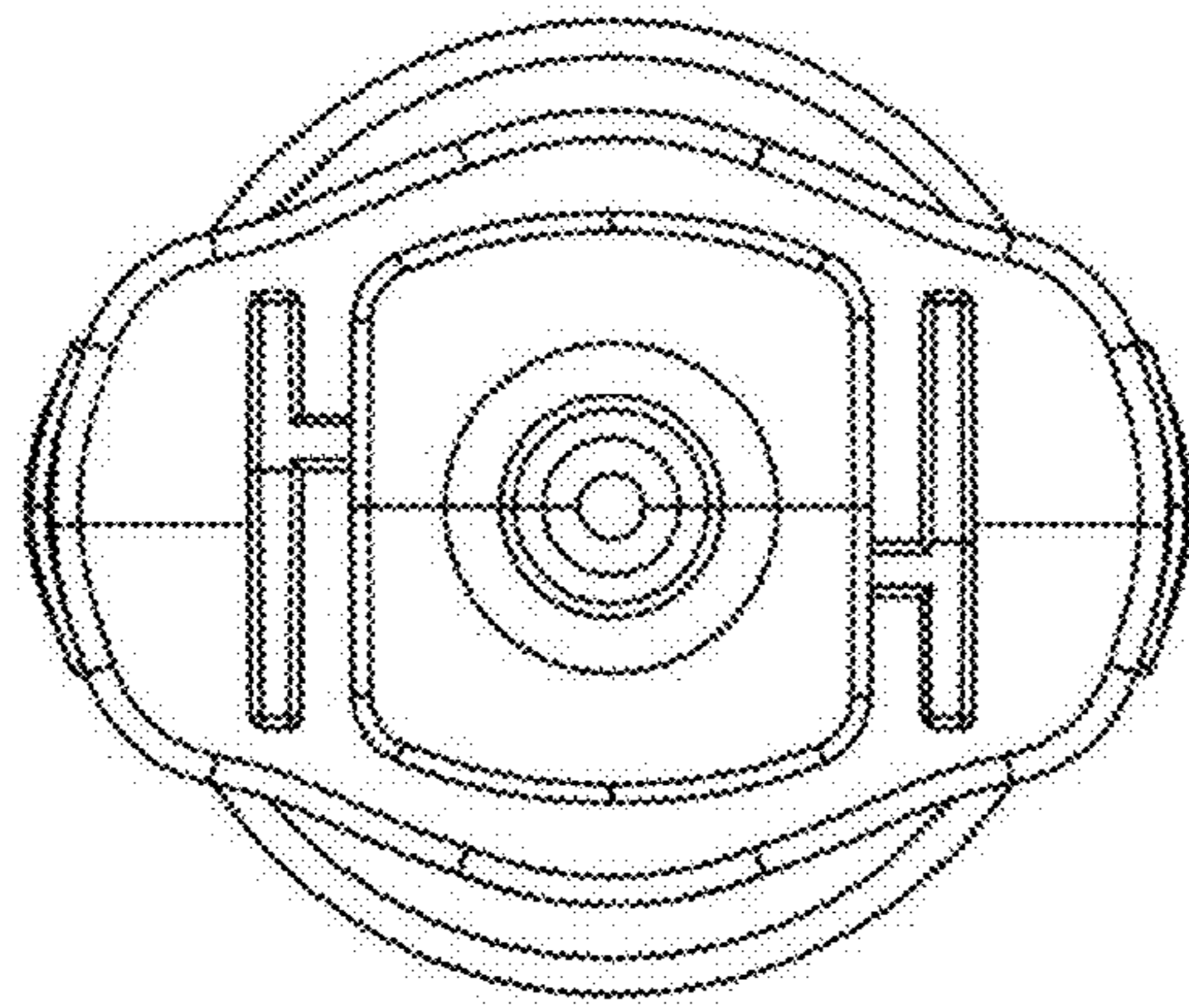


FIG. 6

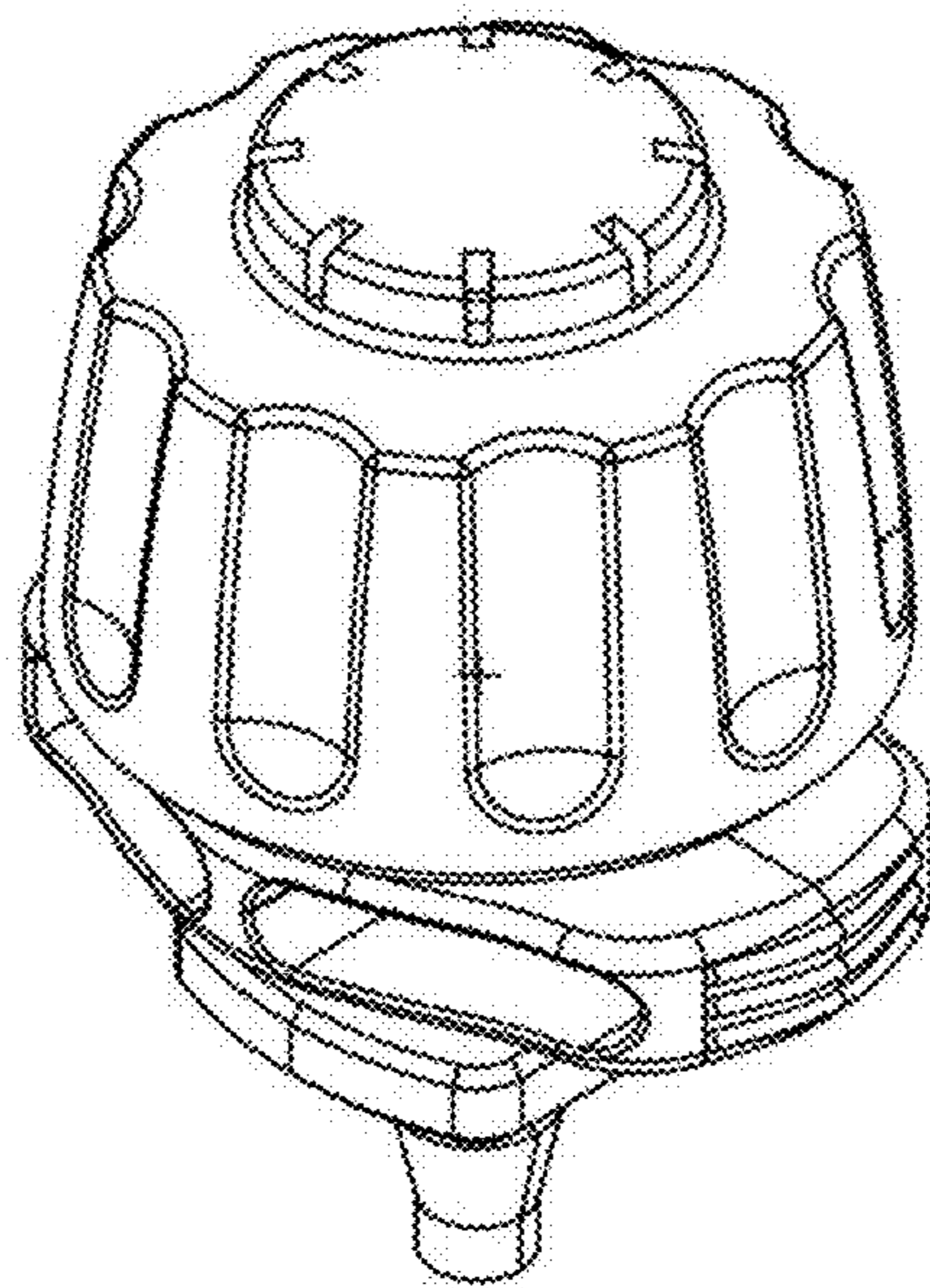


FIG. 7

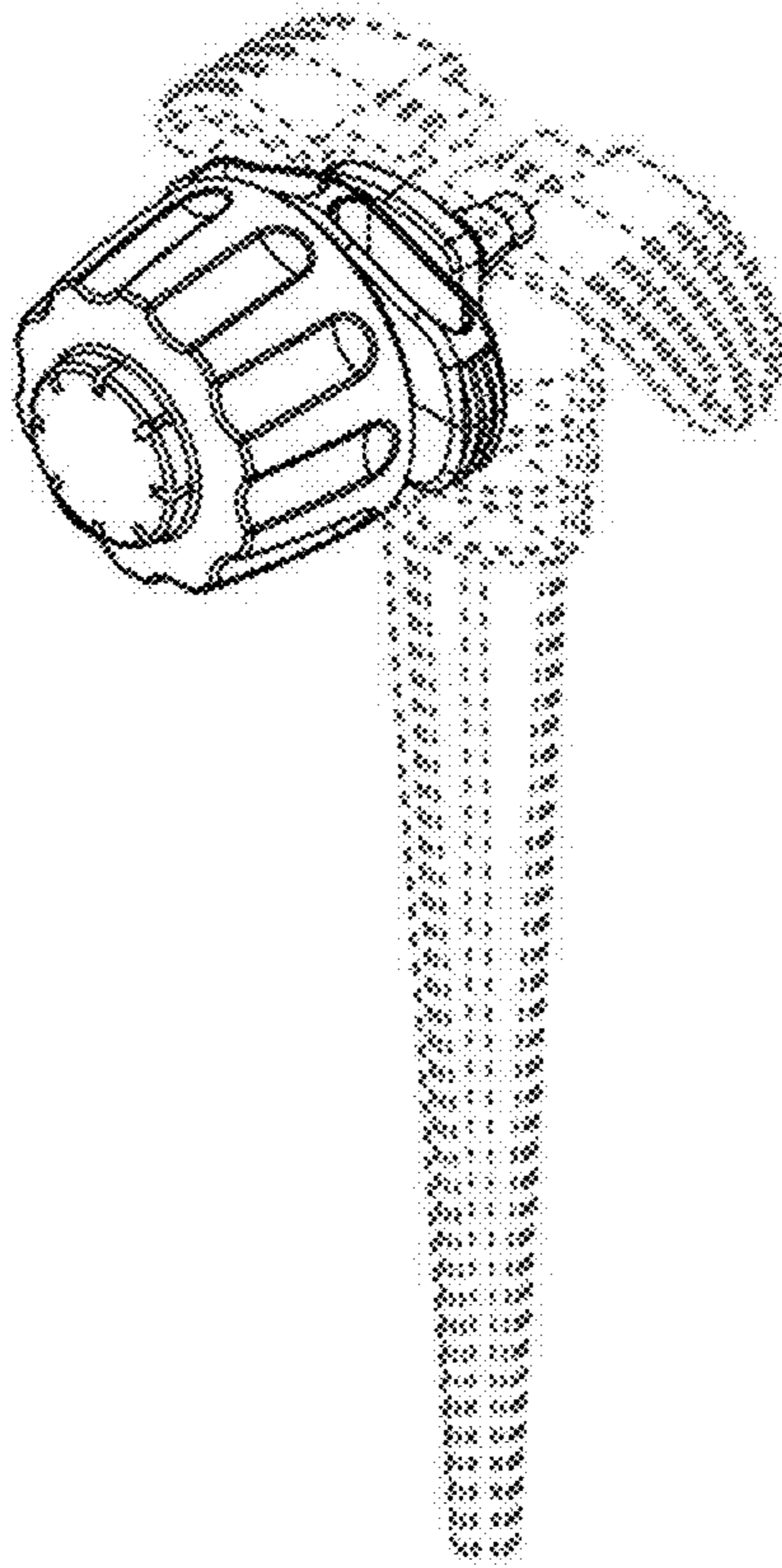


FIG. 8