

US00D774623S

(12) **United States Design Patent** (10) **Patent No.:** **US D774,623 S**  
**Lu** (45) **Date of Patent:** **\*\* Dec. 20, 2016**

(54) **WATER FILTER FITTING**

(71) Applicant: **Red Origen LLC**, Plano, TX (US)

(72) Inventor: **Qiang Lu**, Ningbo Yinzhou (CN)

(73) Assignee: **Red Origen, LLC**, Plano, TX (US)

(\*\*) Term: **15 Years**

(21) Appl. No.: **29/536,443**

(22) Filed: **Aug. 17, 2015**

(51) **LOC (10) Cl.** ..... **23-01**

(52) **U.S. Cl.**  
USPC ..... **D23/209**

(58) **Field of Classification Search**  
USPC ..... D23/213, 207, 209; 210/232, 234, 236,  
210/493.2; 285/360, 361  
CPC ..... B01D 35/30; B01D 35/153; B01D 35/157  
See application file for complete search history.

(56) **References Cited**

**U.S. PATENT DOCUMENTS**

D243,767 S	3/1977	Rutherford	
D269,294 S	6/1983	Rakocy et al.	
D285,606 S	9/1986	Christopherson	
D314,809 S *	2/1991	Petrucci	D23/209
D322,836 S	12/1991	Petrucci et al.	
D356,625 S *	3/1995	Petrucci	D23/209
D384,128 S	9/1997	Scott	
D388,500 S	12/1997	Burchard et al.	

(Continued)

**OTHER PUBLICATIONS**

Photos of Electrolux water filter for a refrigerator, 2 pages, date unknown.

(Continued)

*Primary Examiner* — Robin V Webster

(74) *Attorney, Agent, or Firm* — Elizabeth Philip Dahm; Kelly J. Kubasta; Ferguson, Braswell & Fraser

(57) **CLAIM**

The ornamental design for a water filter fitting, as shown and described.

**DESCRIPTION**

FIG. 1 illustrates a front perspective view of fitting section on an implementation of a water filter.

FIG. 2 illustrates a front view of the fitting section on the implementation of the water filter illustrated in FIG. 1.

FIG. 3 illustrates a back view of the fitting section on the implementation of the water filter illustrated in FIG. 1.

FIG. 4 illustrates a first side view of the fitting section on the implementation of the water filter illustrated in FIG. 1.

FIG. 5 illustrates a second side view of the fitting section on the implementation of the water filter illustrated in FIG. 1.

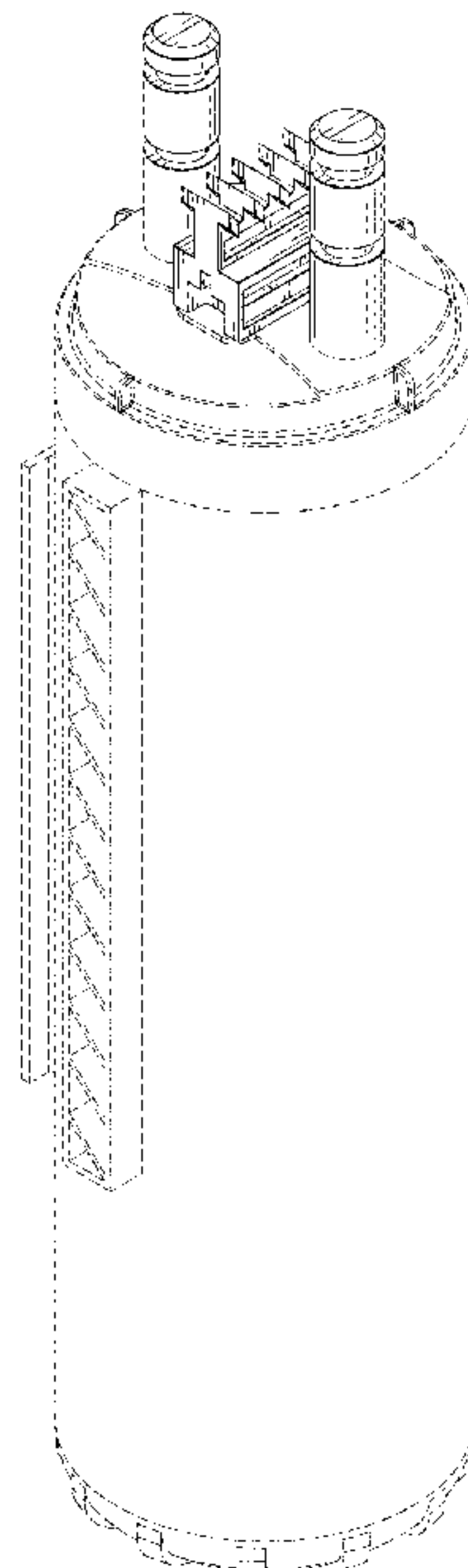
FIG. 6 illustrates a top view of the fitting section of the implementation of the water filter illustrated in FIG. 1.

FIG. 7 illustrates a top, front perspective of the fitting section on a water filter; and,

FIG. 8 illustrates a bottom, rear perspective view of the fitting section on a water filter illustrated in FIG. 7.

The broken lines, when present in the drawings, represent portions of the water filter. The broken lines are for the purpose of illustrating the environment of the design and form no part of the claimed design. The surface shading lines, when present in the drawings, show contour and/or distinguish between open and solid areas. The surface shading lines are not surface ornamentation. The design is not limited to the scale shown herein.

**1 Claim, 5 Drawing Sheets**



(56)

References Cited

U.S. PATENT DOCUMENTS

5,826,854 A 10/1998 Janvrin et al.  
D407,008 S 3/1999 Scott  
D433,094 S 10/2000 Magnusson et al.  
D439,304 S 3/2001 Tilp et al.  
RE37,216 E 6/2001 Koslow  
D448,448 S 9/2001 Hughes et al.  
6,360,764 B1 \* 3/2002 Fritze ..... B01D 35/153  
137/15.01  
D472,604 S 4/2003 Fritze  
D493,207 S 7/2004 Ueda et al.  
D494,654 S 8/2004 Macaulay et al.  
7,000,894 B2 2/2006 Olson et al.  
7,147,773 B2 12/2006 Mitchell et al.  
D546,412 S 7/2007 Kennedy et al.  
D547,825 S 7/2007 Kennedy et al.  
7,238,278 B2 7/2007 Coffey et al.  
D548,306 S 8/2007 Kennedy et al.  
7,387,725 B2 6/2008 Choi et al.  
7,407,148 B2 8/2008 Bassett et al.  
D599,880 S 9/2009 Rampen et al.  
7,610,932 B2 11/2009 Olson et al.  
D621,001 S 8/2010 Maziel et al.  
D636,458 S 4/2011 Born et al.  
D642,657 S 8/2011 Cumberland et al.  
D642,658 S 8/2011 Cumberland et al.  
7,988,853 B2 8/2011 Tsai  
D645,935 S 9/2011 Kulikov et al.  
D650,886 S 12/2011 Bridges et al.  
D656,578 S 3/2012 Sherman et al.  
D656,579 S 3/2012 Sherman et al.  
D656,580 S 3/2012 Sherman et al.  
8,173,018 B2 5/2012 Burr et al.  
D673,242 S 12/2012 Rowe  
8,354,024 B2 1/2013 Ihle et al.  
8,398,853 B2 \* 3/2013 An ..... B01D 35/147  
137/594  
D679,779 S 4/2013 Reid

8,562,831 B2 10/2013 Bors et al.  
D698,005 S 1/2014 Rowe  
D702,318 S 4/2014 Stanley et al.  
8,746,003 B2 \* 6/2014 Yoon ..... B01D 35/153  
210/109  
D708,749 S 7/2014 Appling et al.  
D712,007 S 8/2014 Reid  
8,844,307 B2 9/2014 Krause et al.  
9,061,225 B2 \* 6/2015 Sherman ..... B01D 35/30  
D733,871 S 7/2015 Wilcox et al.  
D755,922 S \* 5/2016 Sherman ..... D23/209  
2004/0129624 A1 7/2004 Hamlin et al.  
2010/0275633 A1 11/2010 An et al.  
2013/0168303 A1 7/2013 Appling et al.  
2014/0217003 A1 8/2014 Huda et al.

OTHER PUBLICATIONS

Photos of General Electric water filter for a refrigerator, 3 pages, date unknown.  
Photos of Whirlpool water filter for a refrigerator, 3 pages, date unknown.  
U.S. Appl. No. 29/503,738 entitled "Water Filter Fittings" filed Sep. 29, 2014.  
U.S. Appl. No. 29/521,968 entitled "Water Filter Fitting" filed Mar. 26, 2015.  
U.S. Appl. No. 29/501,589 entitled "Interchangeable Water Filter Bases or Portion" filed Sep. 5, 2014.  
U.S. Appl. No. 29/521,987 entitled "Fitting Section of a Water Filter" filed Mar. 26, 2015.  
U.S. Appl. No. 29/531,263 entitled "Fitting Section of a Water Filter" filed Jun. 24, 2015.  
U.S. Appl. No. 29/536,380 entitled "Water Filter Fitting Section" filed Aug. 17, 2015.

\* cited by examiner

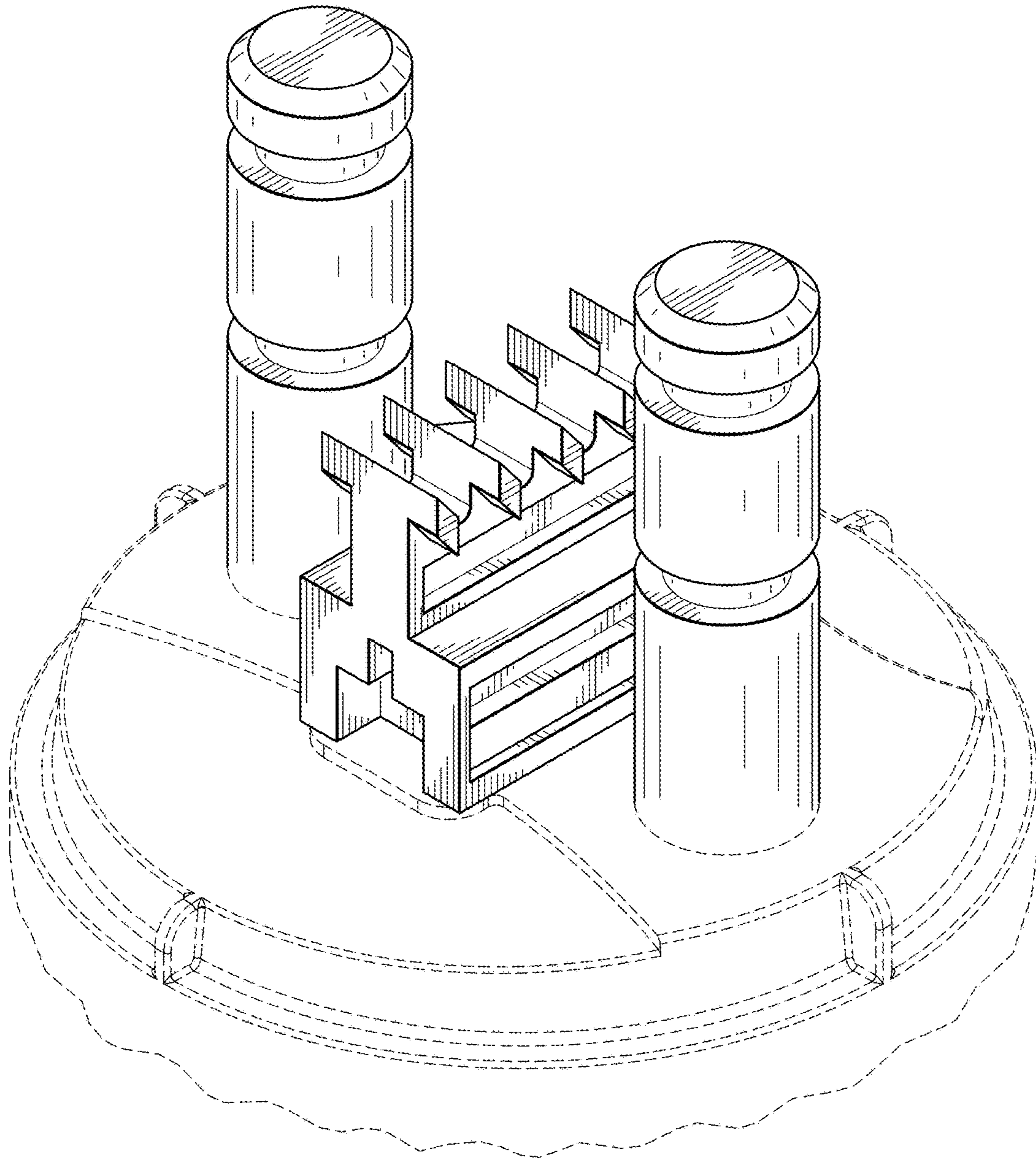


FIG. 1



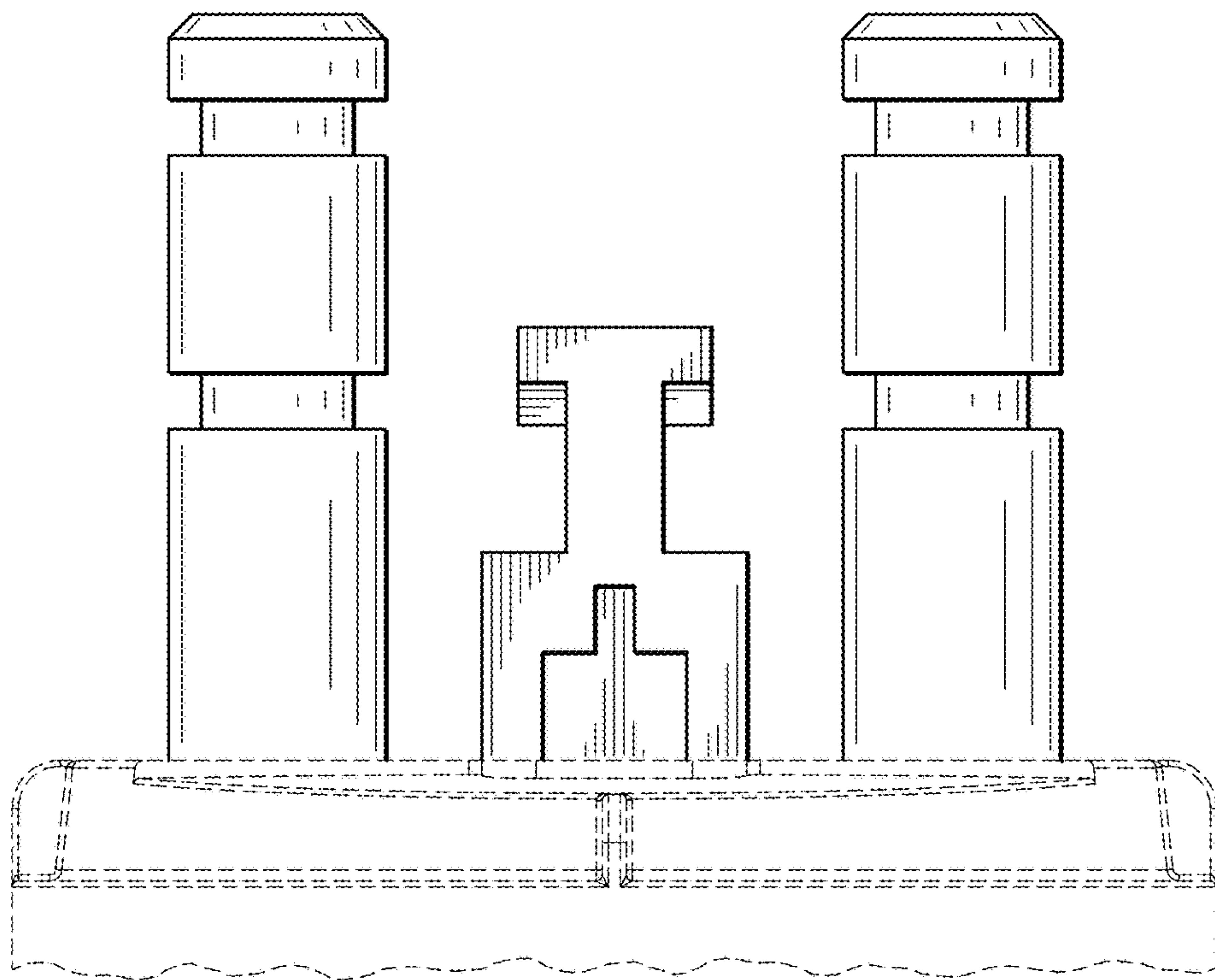


FIG. 2

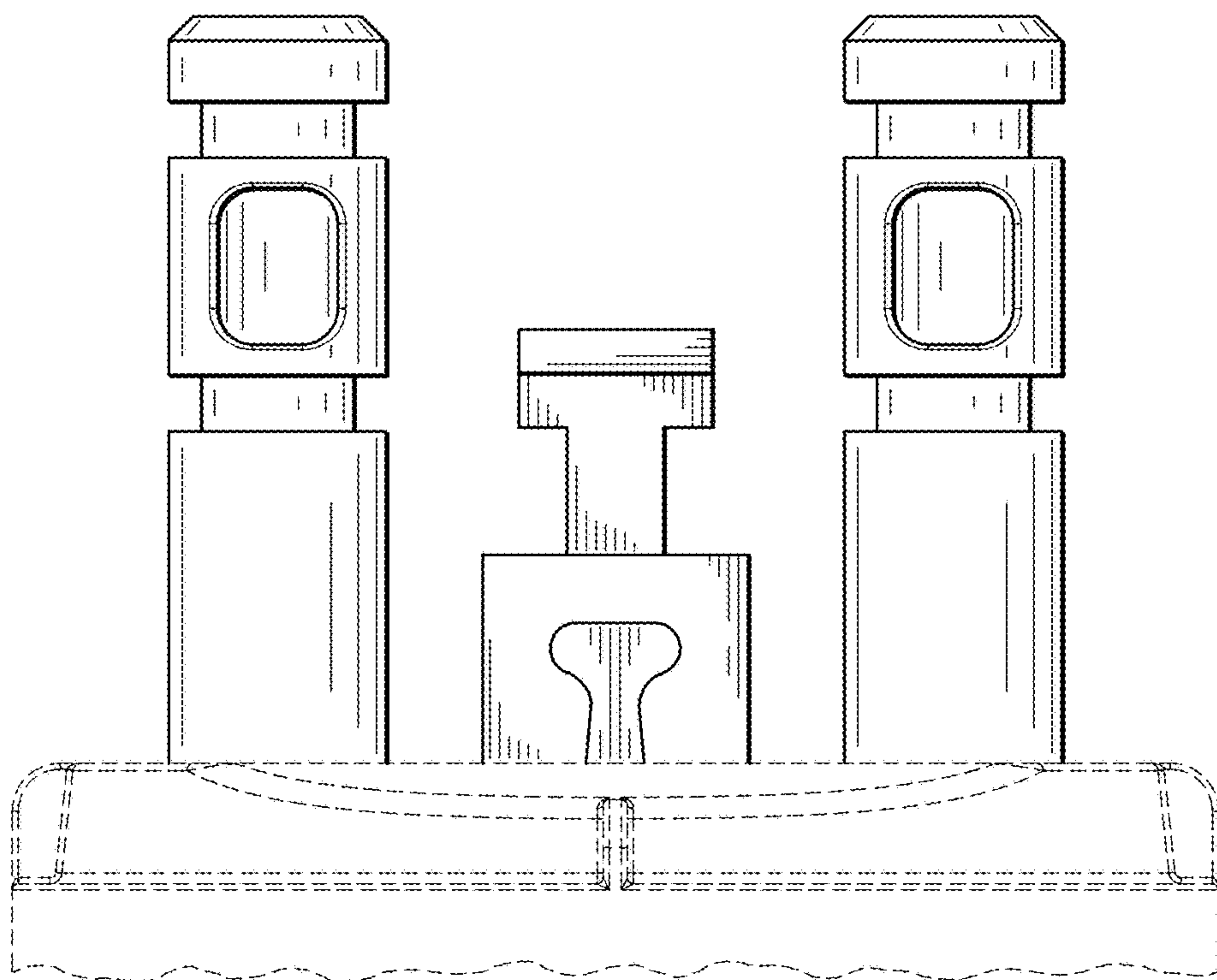


FIG. 3

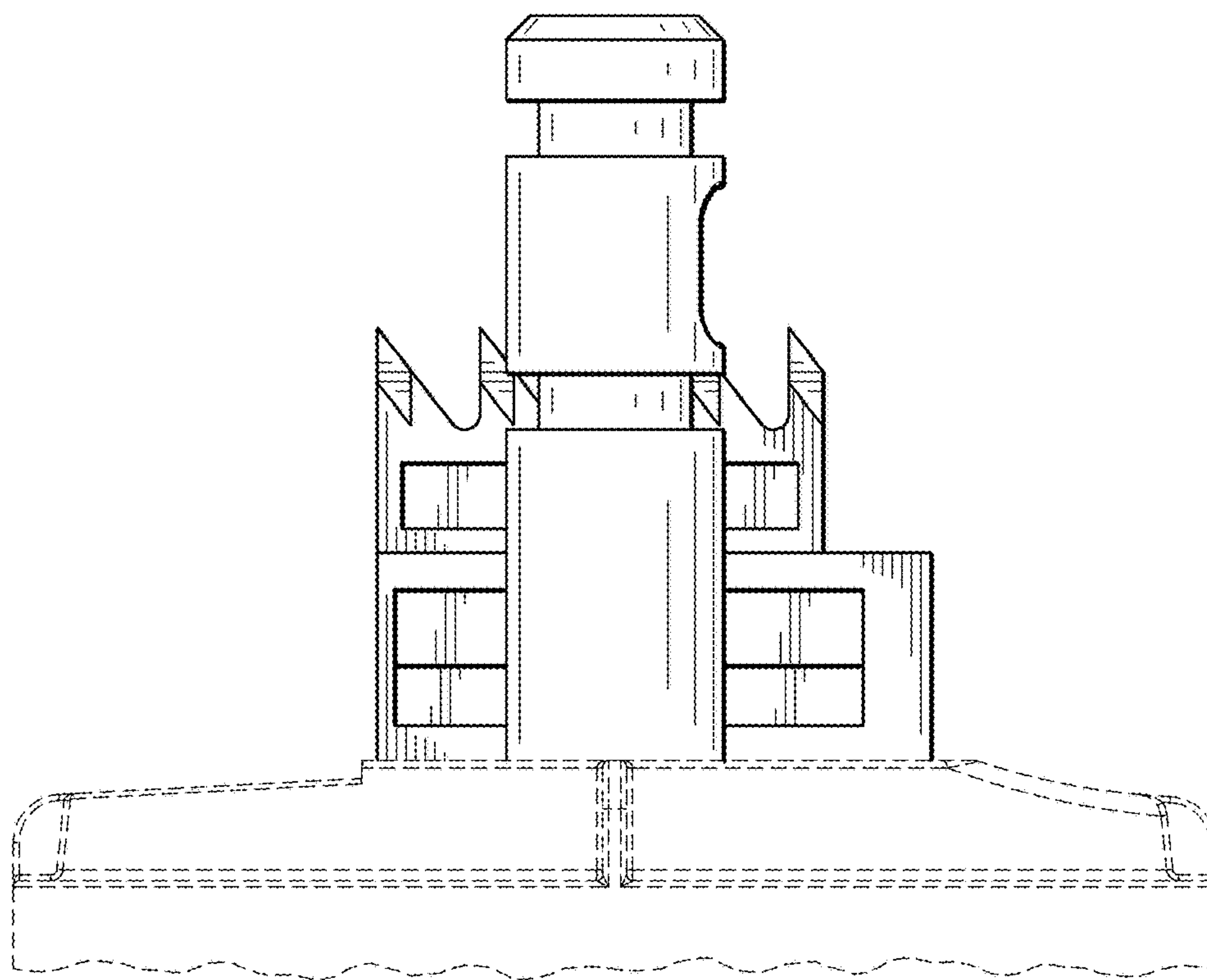


FIG. 4

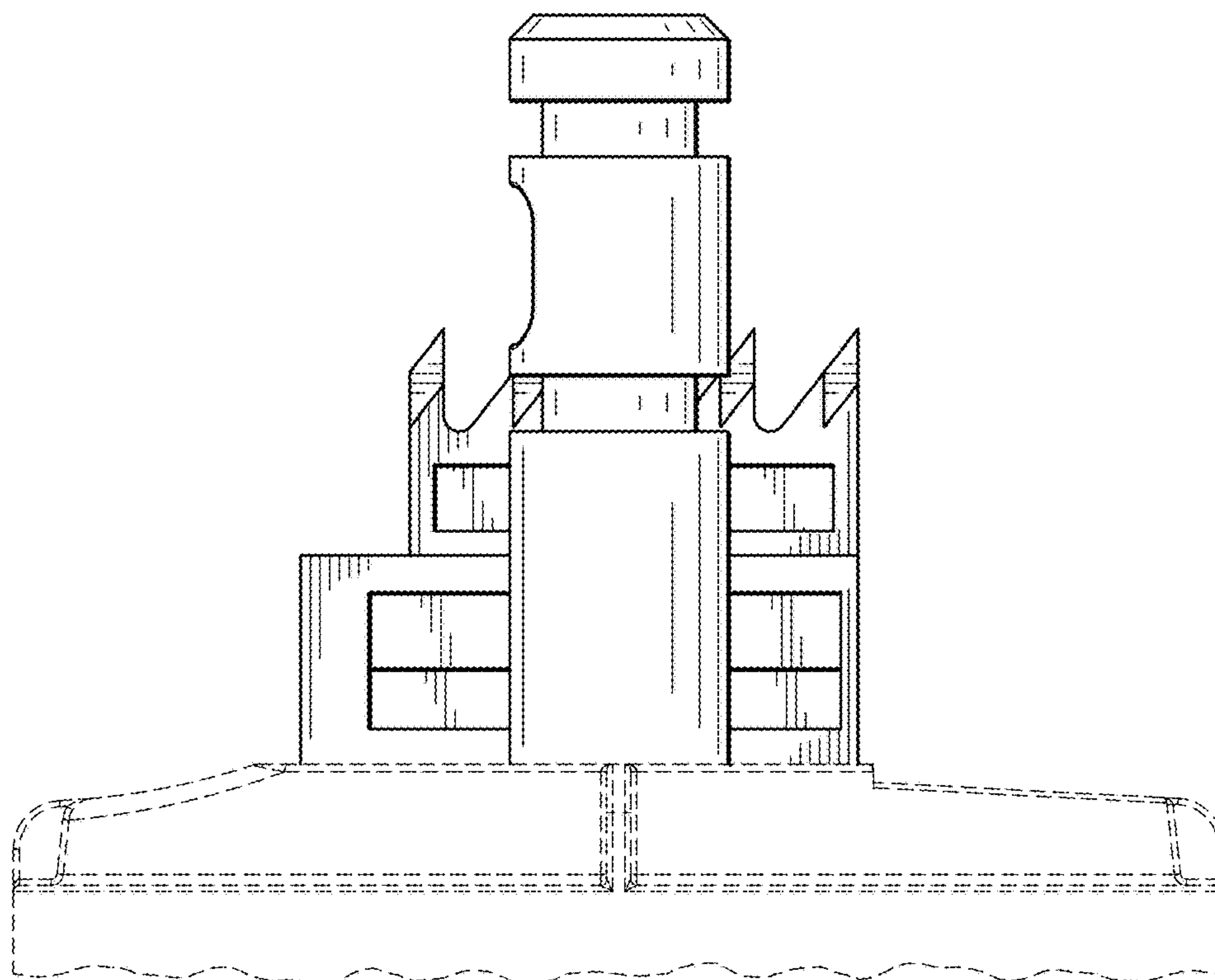


FIG. 5

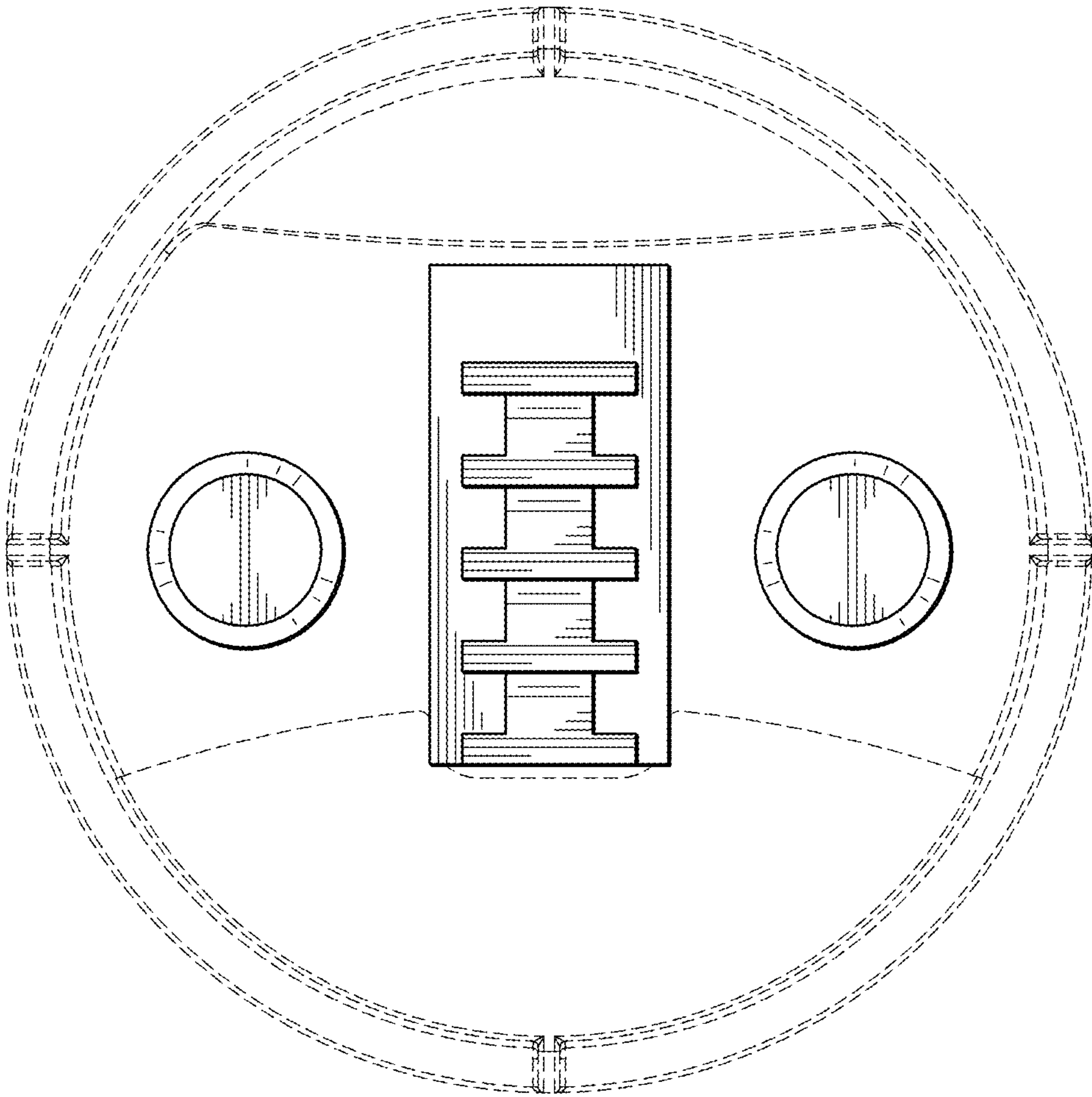


FIG. 6

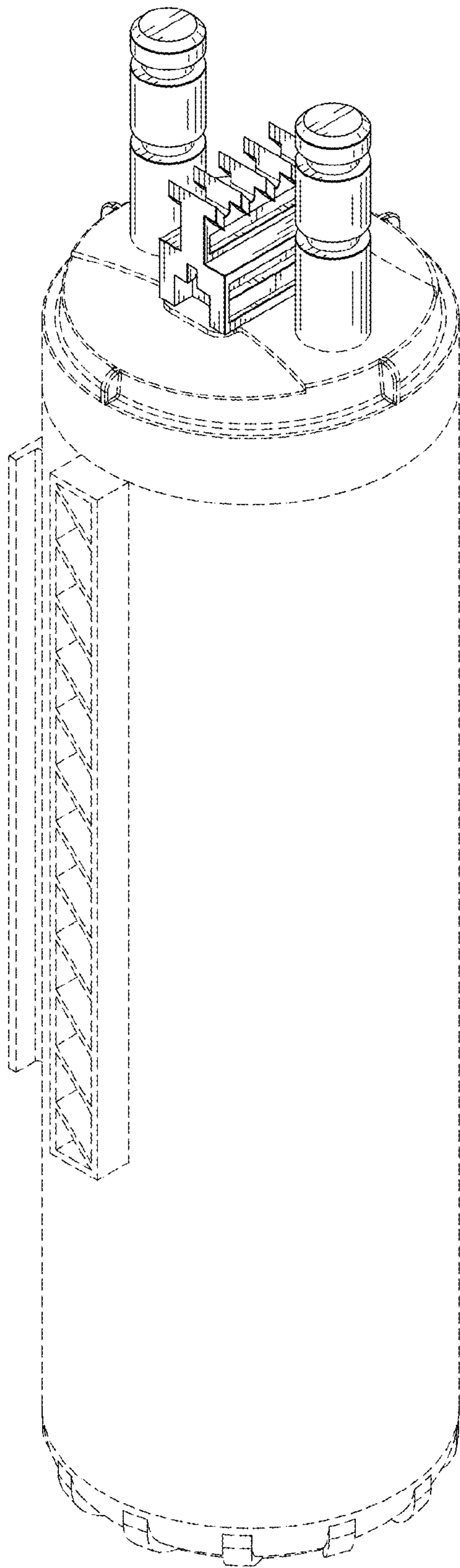


FIG. 7

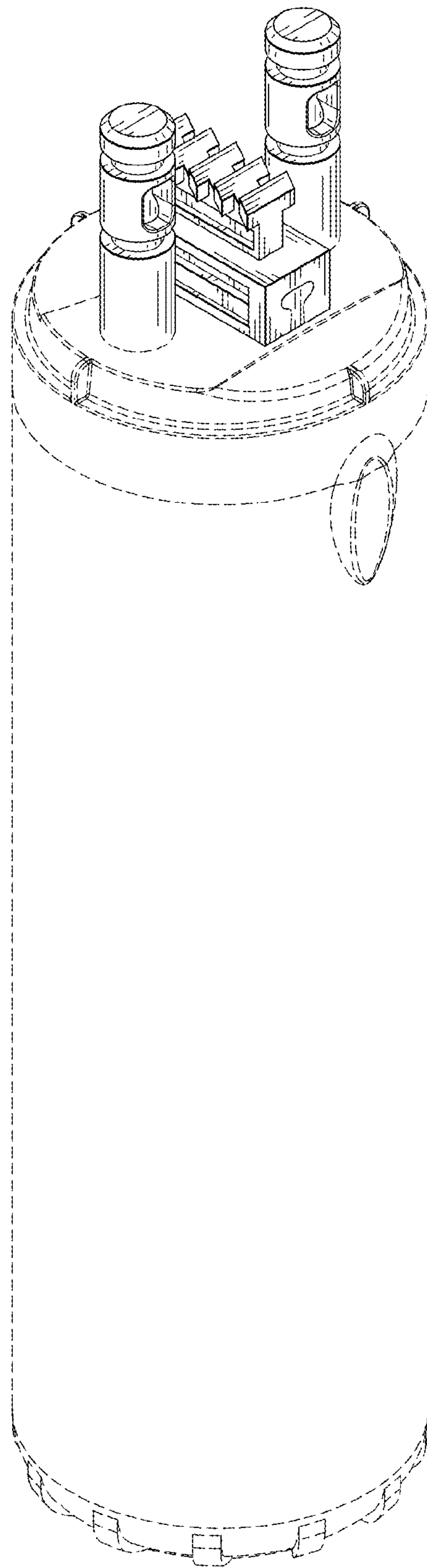


FIG. 8