



US00D774619S

(12) **United States Design Patent** (10) **Patent No.:** **US D774,619 S**
Mather (45) **Date of Patent:** **** Dec. 20, 2016**

(54) **STOCK FOR RIFLE**

- (71) Applicant: **Sturm, Ruger & Company, Inc.**,
Southport, CT (US)
- (72) Inventor: **Jonathan Philip Mather**, Grafton, NH
(US)
- (73) Assignee: **STURM, RUGER & COMPANY,
INC.**
- (**) Term: **15 Years**
- (21) Appl. No.: **29/541,052**
- (22) Filed: **Sep. 30, 2015**
- (51) **LOC (10) Cl.** **22-01**
- (52) **U.S. Cl.**
USPC **D22/108**
- (58) **Field of Classification Search**
USPC D22/103, 108, 199; D21/572, 573; 42/73
CPC F41C 23/04; F41C 23/06; F41C 23/14;
F41C 23/22; F41C 33/007
See application file for complete search history.

(56) **References Cited**

U.S. PATENT DOCUMENTS

D733,247 S *	6/2015	Lewis	D22/108
D763,396 S *	8/2016	Juarez	D22/108
2015/0233656 A1 *	8/2015	Karagias	F41A 35/06
				42/16
2016/0116250 A1 *	4/2016	Mather	F41A 3/66
				42/73
2016/0187090 A1 *	6/2016	Mather	F41A 17/46
				42/70.06
2016/0187092 A1 *	6/2016	Mather	F41A 3/66
				42/69.02
2016/0202016 A1 *	7/2016	Mather	F41C 23/14
				42/73

OTHER PUBLICATIONS

NRA American Rifleman, Ruger Precision Rifle, Jul. 17, 2015, [site visited Aug. 12, 2016], Available on the Internet URL: <https://www.americanrifleman.org/articles/2015/7/17/ruger-precision-rifle/>.*
Ruger, Ruger Precision Rifle, publication date unknown, [site visited Aug. 12, 2016], Available on the Internet URL: <http://www.ruger.com/products/precisionRifle/models.html>.*

* cited by examiner

Primary Examiner — Susan Bennett Hattan
Assistant Examiner — S. Bryan Reinholdt, Jr.
(74) *Attorney, Agent, or Firm* — The Belles Group, P.C.

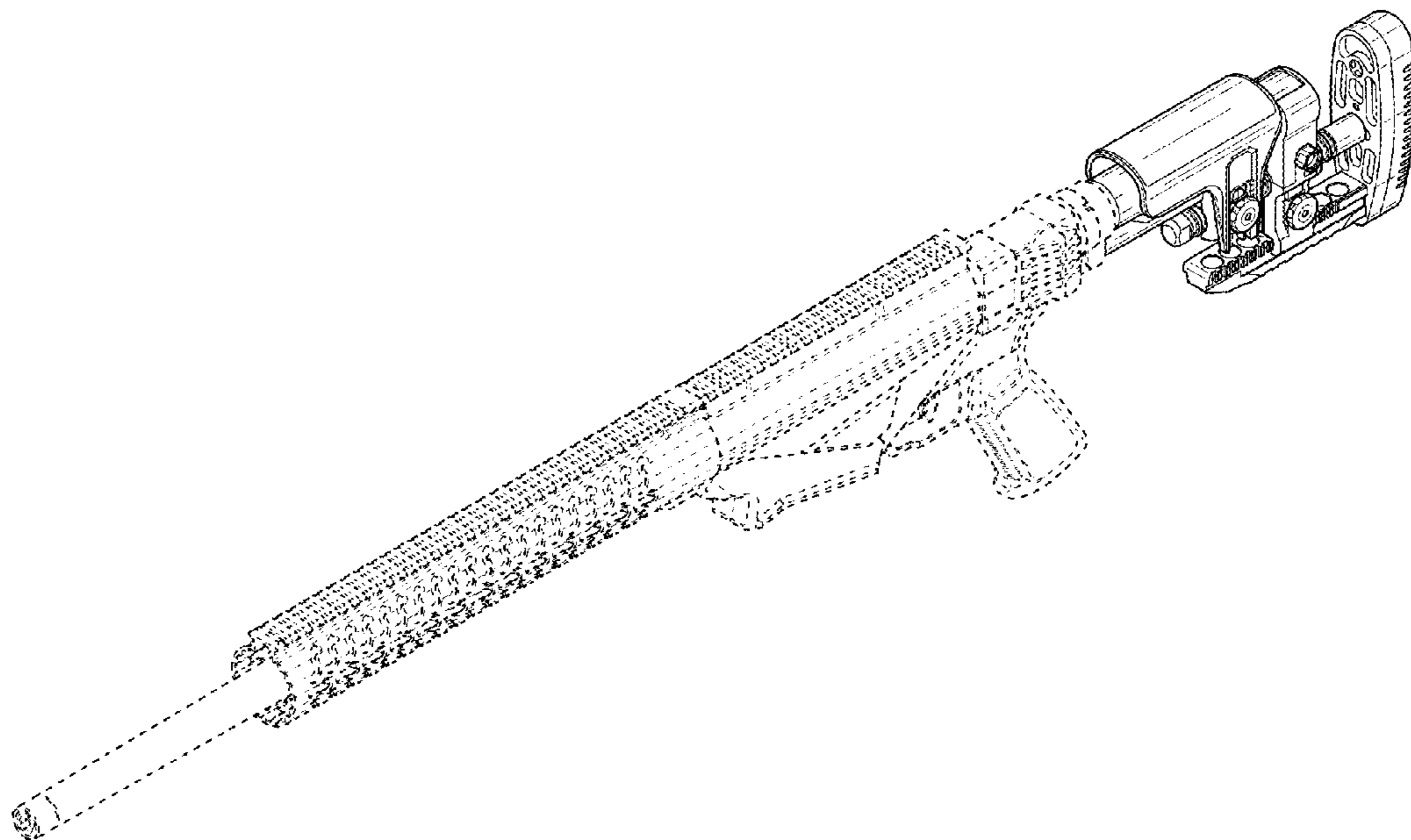
(57) **CLAIM**

The ornamental design for a stock for rifle, as shown and described.

DESCRIPTION

FIG. 1 is a front top perspective view of a stock according to the new design;
FIG. 2 is rear bottom perspective view thereof;
FIG. 3 is a left elevation view thereof;
FIG. 4 is a right elevation view thereof;
FIG. 5 is a top plan view thereof;
FIG. 6 is a bottom plan view thereof;
FIG. 7 is a front elevation view thereof; and,
FIG. 8 is rear elevation view thereof.
All broken lines shown in the drawings represent portions of a rifle and form no part of the claimed design.

1 Claim, 6 Drawing Sheets



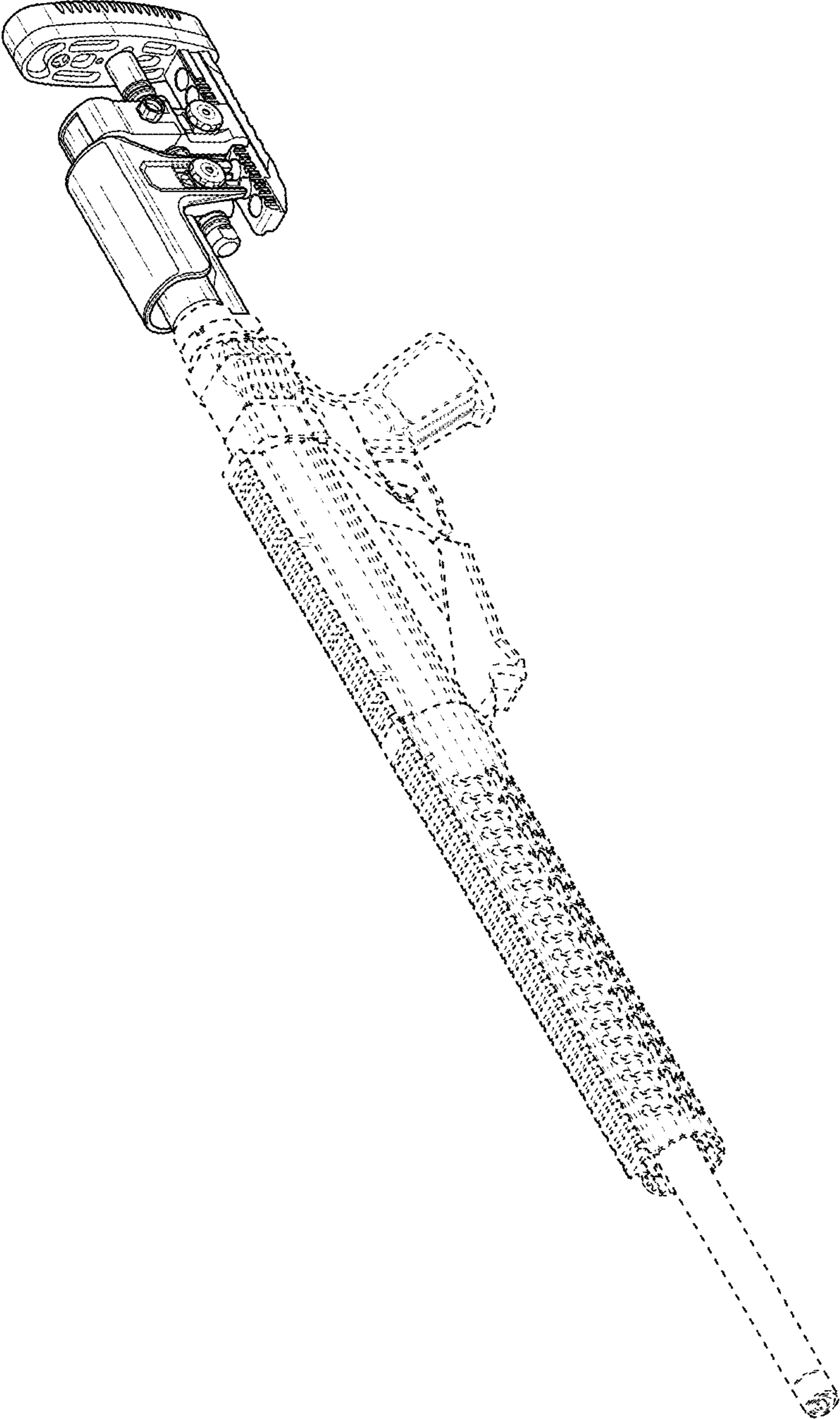


FIG. 1

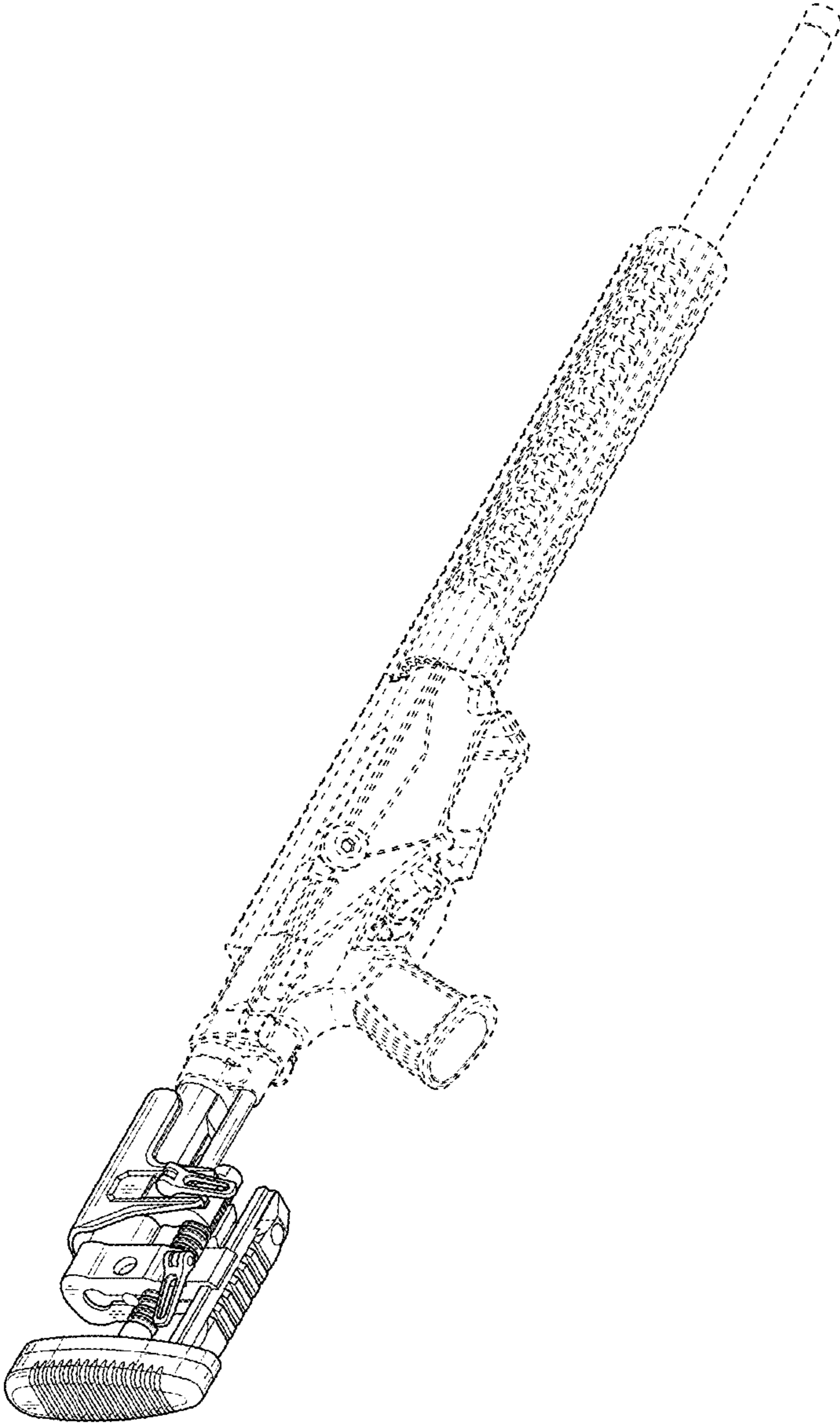


FIG. 2

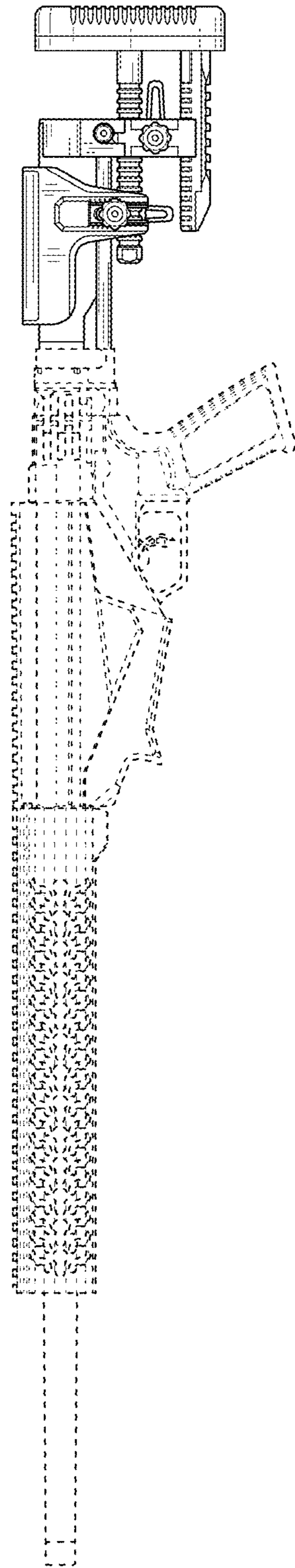


FIG. 3

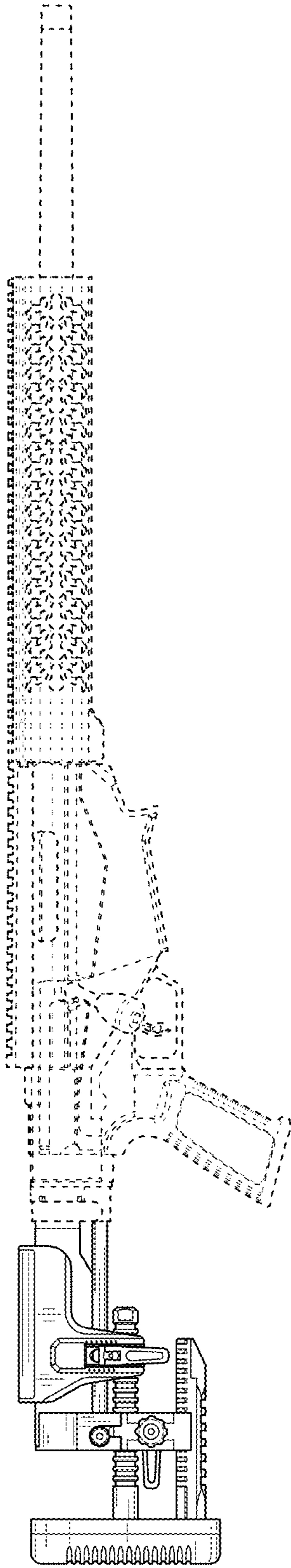


FIG. 4

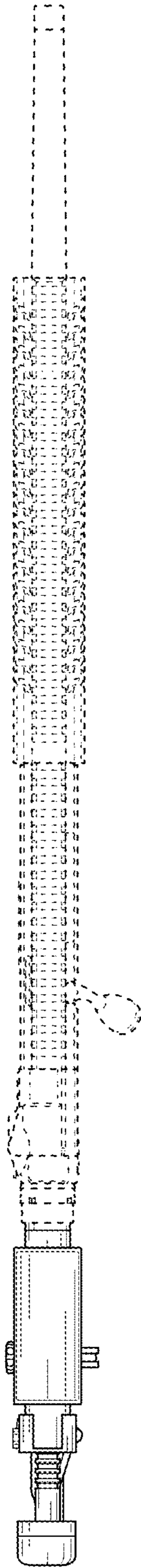


FIG. 5



FIG. 6

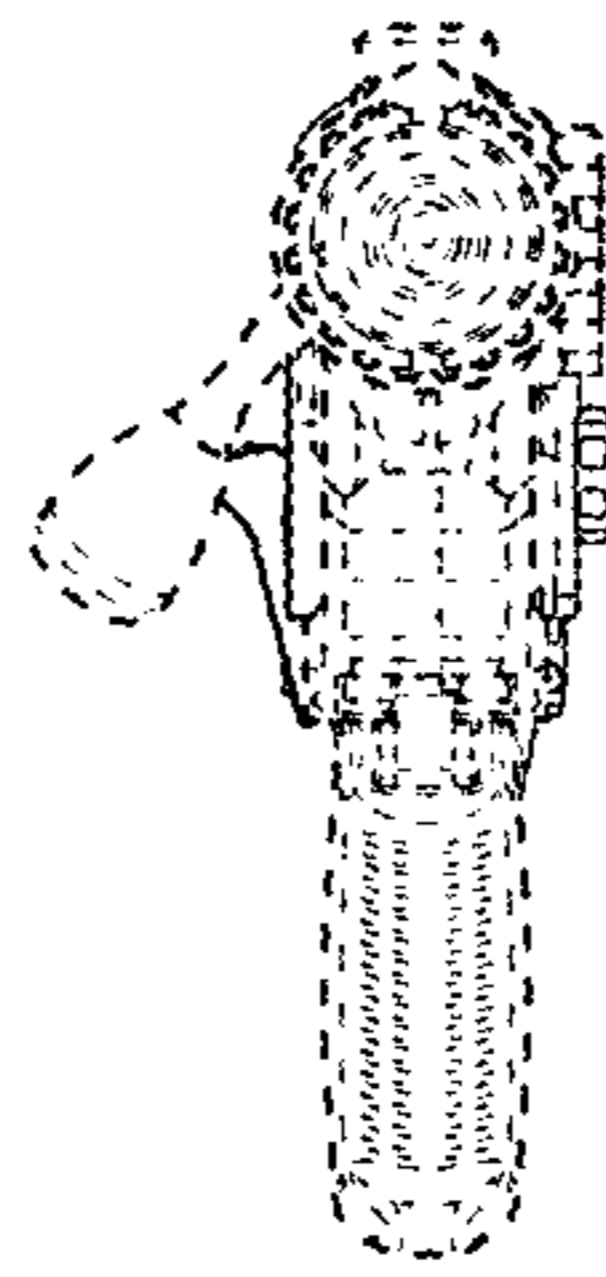


FIG. 7

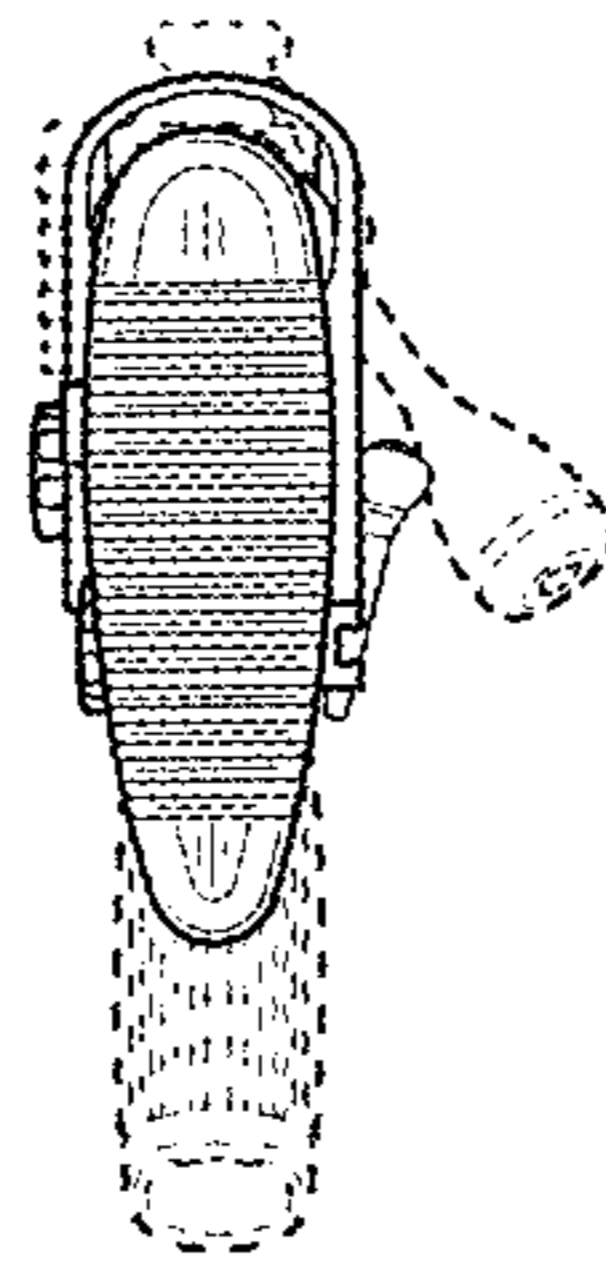


FIG. 8