



US00D774618S

(12) **United States Design Patent**
Bosco et al.

(10) **Patent No.:** **US D774,618 S**

(45) **Date of Patent:** **** Dec. 20, 2016**

(54) **FOREARM-GRIPPING STABILIZING ATTACHMENT**

(71) Applicant: **NST Global LLC**, St. Petersburg, FL (US)

(72) Inventors: **Alessandro Roberto Bosco**, St. Petersburg, FL (US); **Grant Bickford Shaw**, St. Petersburg, FL (US)

(**) Term: **15 Years**

(21) Appl. No.: **29/531,625**

(22) Filed: **Jun. 29, 2015**

(51) **LOC (10) Cl.** **22-01**

(52) **U.S. Cl.**
USPC **D22/108**

(58) **Field of Classification Search**
USPC ... D22/103, 108, 199; 89/111-113; 359/399, 359/823, 744; 42/104, 105, 111-113, 42/116, 120, 124-126, 127-129, 141-148, 42/133-140; 33/227, 229
CPC F41G 1/00; F41G 1/01; F41G 1/02; F41G 1/06; F41G 1/065; F41G 1/08; F41G 1/10; F41G 1/12; F41G 1/14; F41G 1/30; F41G 1/32; F41G 1/38; F41G 1/40; F41G 1/42; F41G 1/44; F41G 1/46; F41G 1/383; F41G 1/387; F41G 1/393; F41G 3/00; F41G 3/005; F41G 3/02; F41G 3/04; F41G 3/06; F41G 3/14; F41G 11/002; F41G 11/003; F41G 11/004; F41G 11/005

See application file for complete search history.

(56) **References Cited**

U.S. PATENT DOCUMENTS

2,436,175 A 5/1942 Neal
3,162,966 A 12/1964 Coss
3,648,396 A 3/1972 Smith
3,685,194 A 8/1972 Coon
4,196,742 A 4/1980 Owen, Jr.

4,271,623 A 6/1981 Beretta
4,291,482 A 9/1981 Bresan
4,876,814 A 10/1989 Lombardo
5,180,874 A 1/1993 Troncoso, Jr
6,016,620 A 1/2000 Morgan
6,279,591 B1 8/2001 Obitts
6,651,371 B2 11/2003 Fitzpatrick

(Continued)

Primary Examiner — Susan Bennett Hattan

Assistant Examiner — S. Bryan Reinholdt, Jr.

(74) *Attorney, Agent, or Firm* — Stephen Lewellyn; Maxey Law Offices, PLLC; Kyle Chapin

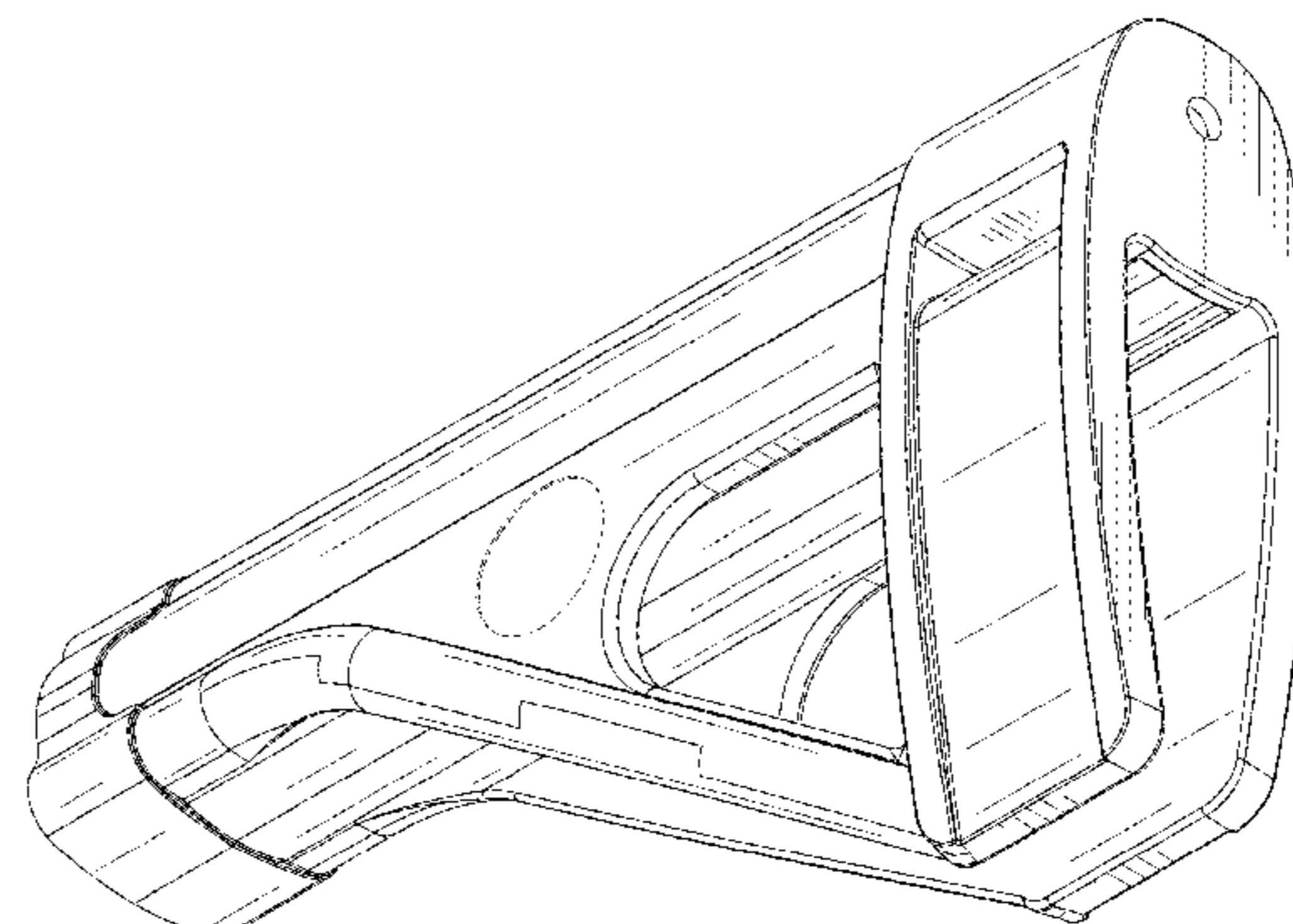
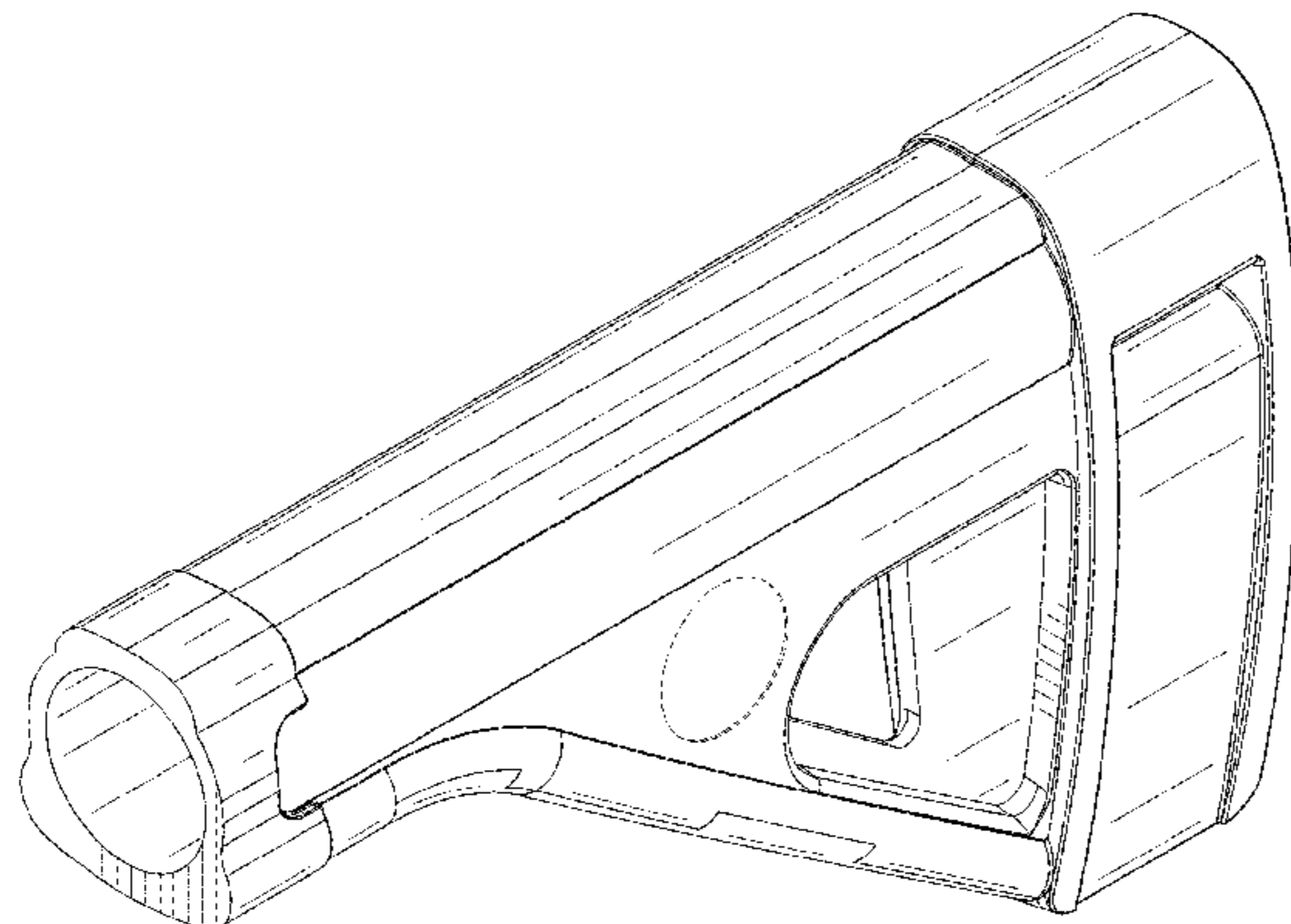
(57) **CLAIM**

The ornamental design for a forearm-gripping stabilizing attachment, as shown and described.

DESCRIPTION

FIG. 1 is a top-front perspective view of the forearm-gripping stabilizing attachment;
FIG. 2 is a top-rear perspective view of the forearm-gripping stabilizing attachment;
FIG. 3 is a bottom-front perspective view of the forearm-gripping stabilizing attachment;
FIG. 4 is a bottom-rear perspective view of the forearm-gripping stabilizing attachment;
FIG. 5 is a top plan view of the forearm-gripping stabilizing attachment;
FIG. 6 is a bottom plan view of the forearm-gripping stabilizing attachment;
FIG. 7 is a side elevation view of the forearm-gripping stabilizing attachment, the opposite side being a mirror image;
FIG. 8 is a front elevation view of the forearm-gripping stabilizing attachment; and,
FIG. 9 is a rear elevation view of the forearm-gripping stabilizing attachment.
The broken lines in FIGS. 1 through 7 represent a portion of the forearm-gripping stabilizing attachment that forms no part of the claimed design.

1 Claim, 7 Drawing Sheets



(56)

References Cited

U.S. PATENT DOCUMENTS

| | | | | |
|--------------|----|-----------|----------------|---------------|
| 7,028,427 | B2 | 4/2006 | Crawford | |
| 7,059,502 | B2 | 6/2006 | Johnson | |
| 8,091,264 | B2 | 1/2012 | Goertz | |
| 8,109,026 | B1 | 2/2012 | Bentley et al. | |
| 8,215,045 | B2 | 7/2012 | Mitchell | |
| D706,896 | S | 6/2014 | Bosco | |
| D728,724 | S | 5/2015 | Bosco | |
| D745,941 | S | * 12/2015 | Bosco | D22/108 |
| 2007/0289191 | A1 | 12/2007 | Cowan | |
| 2009/0211140 | A1 | 8/2009 | Rolfe | |
| 2014/0144061 | A1 | 5/2014 | Bosco | |

* cited by examiner

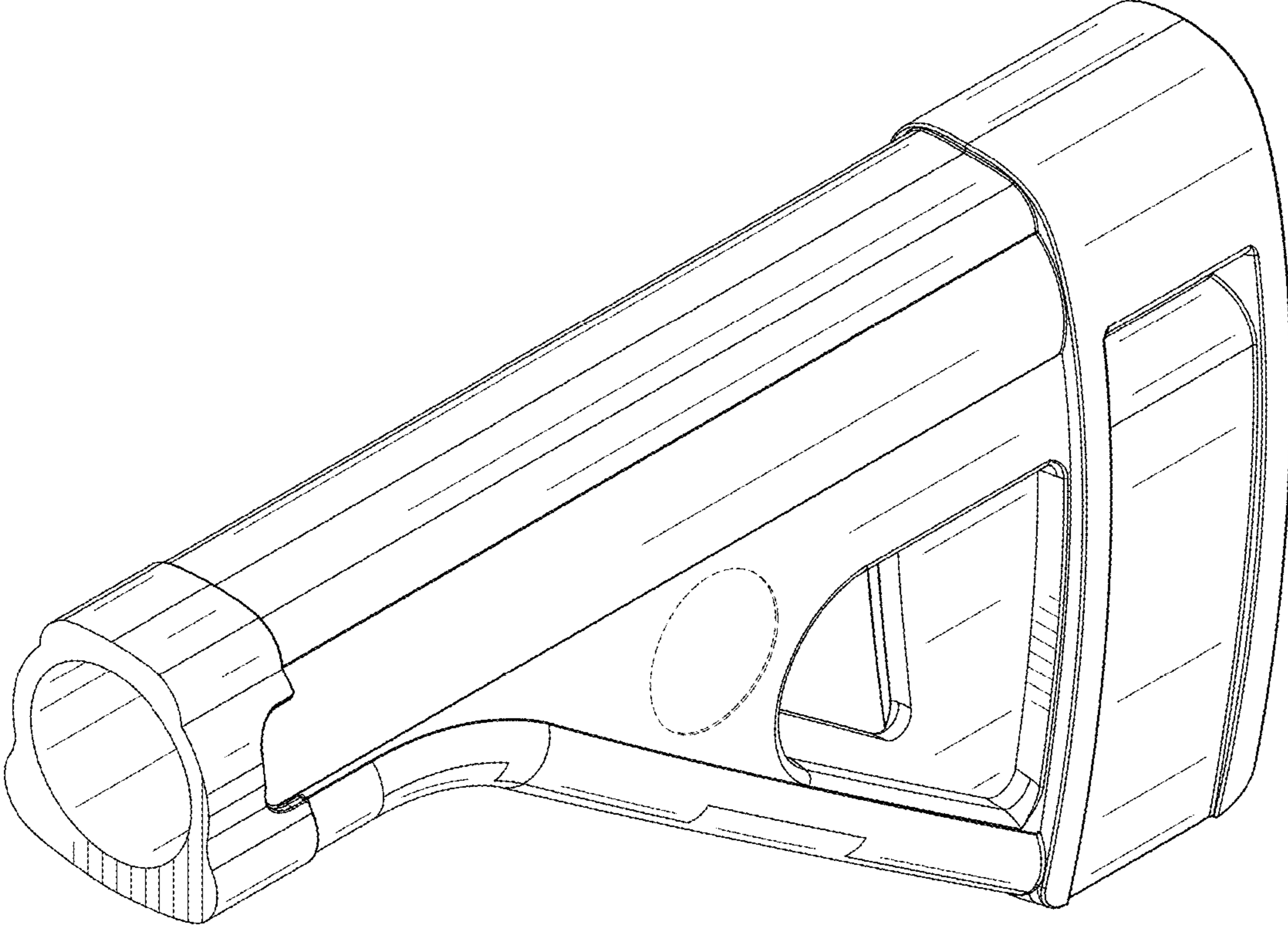


FIG. 1

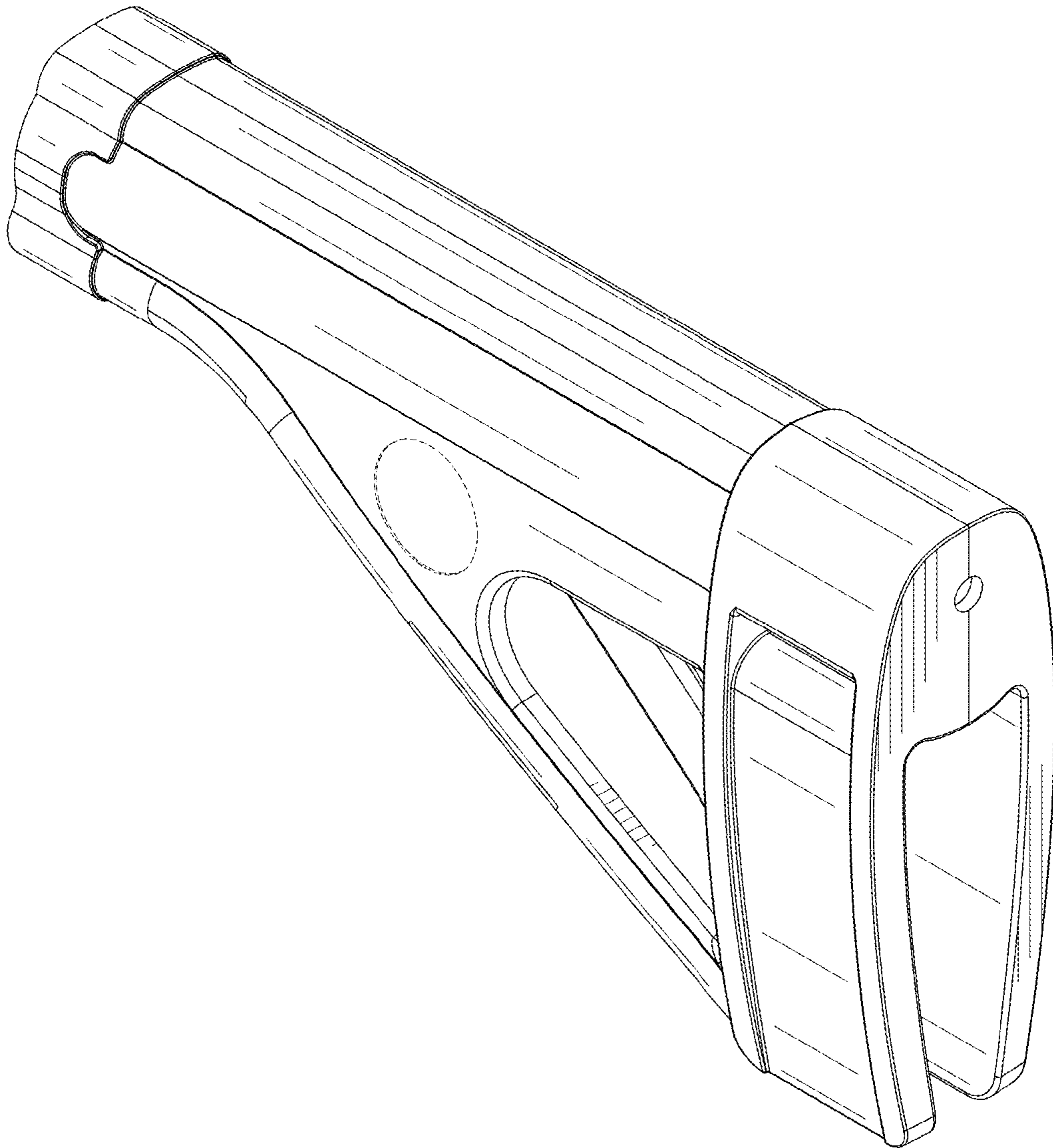


FIG. 2

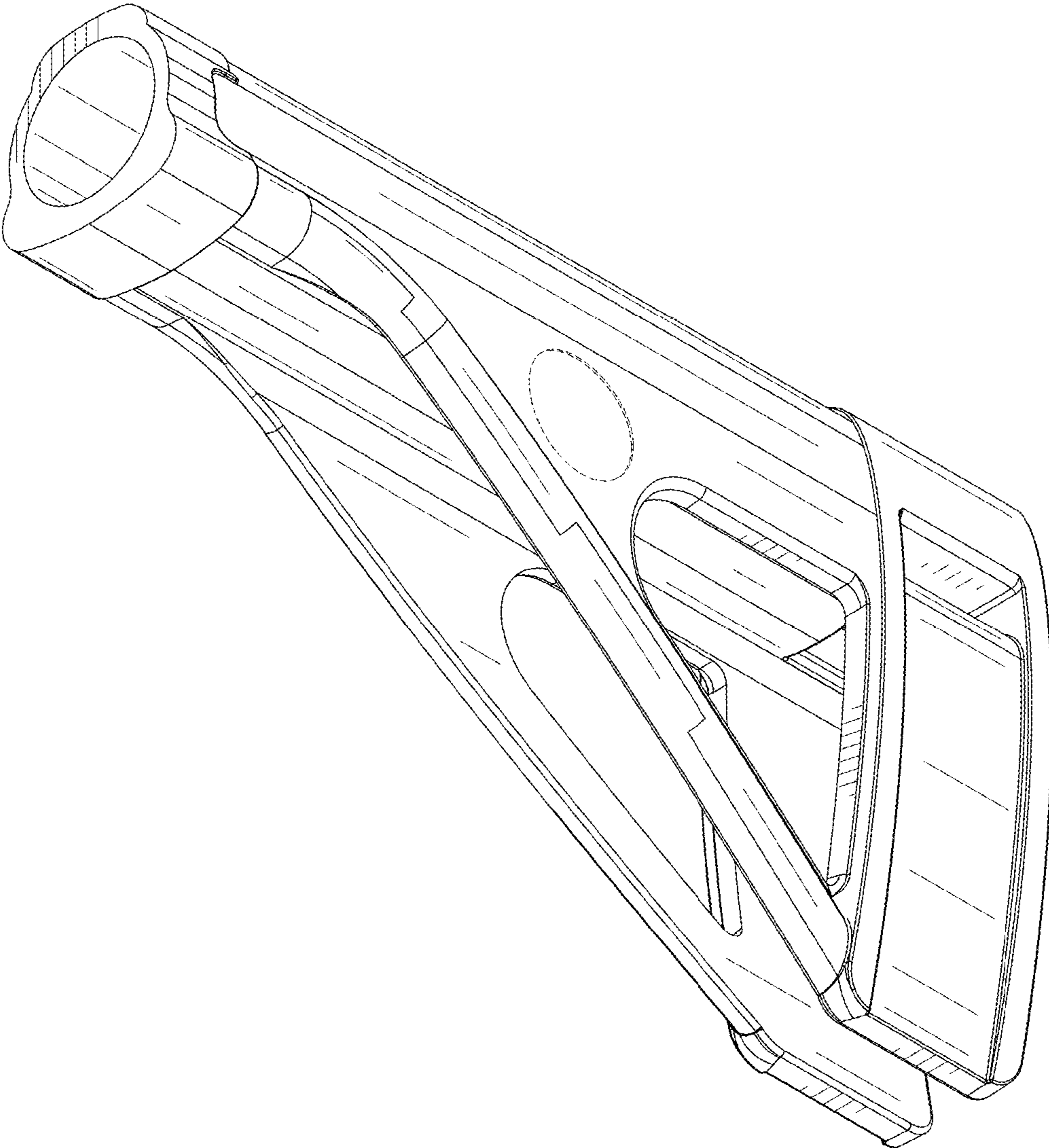


FIG. 3

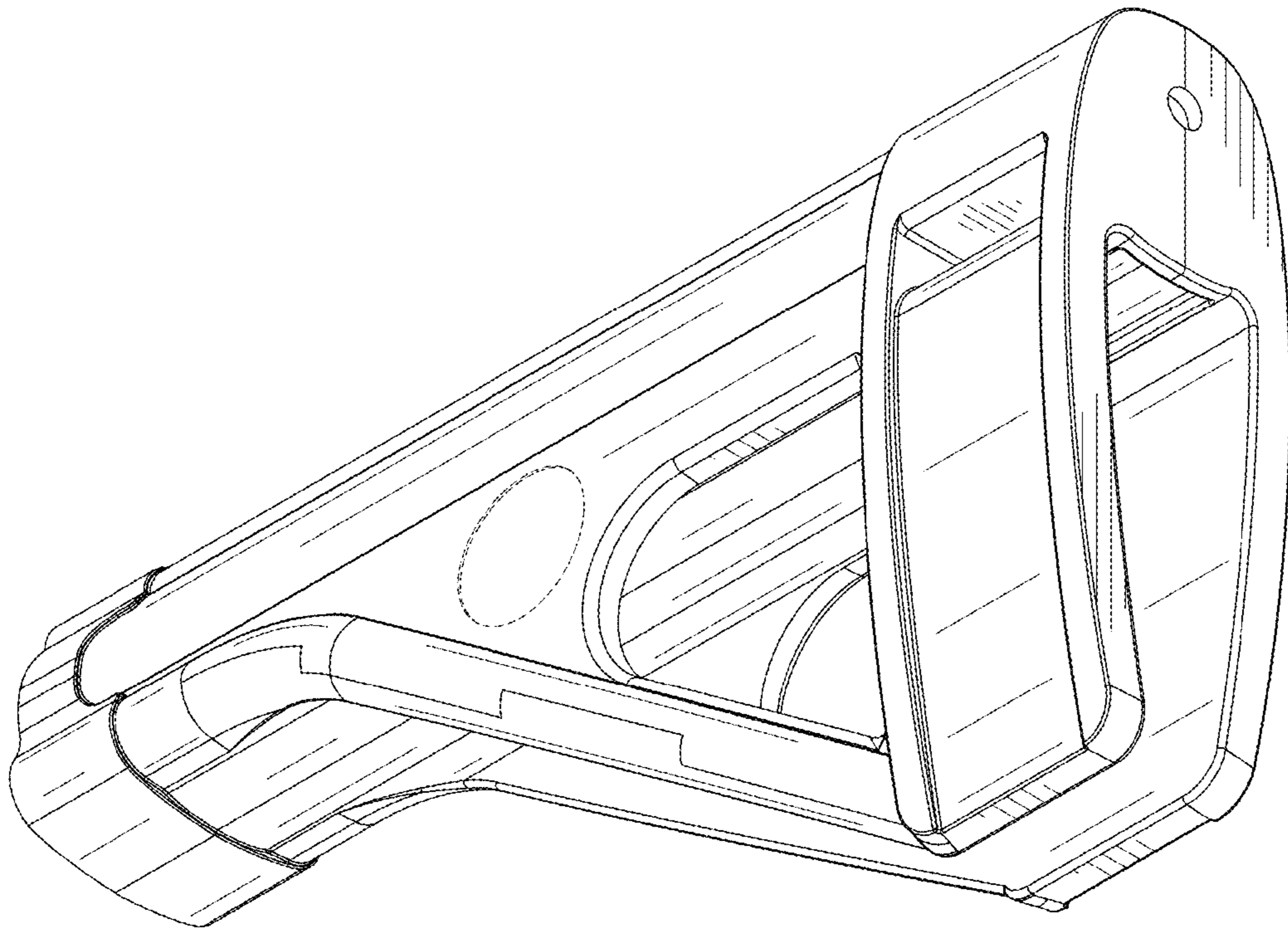


FIG. 4

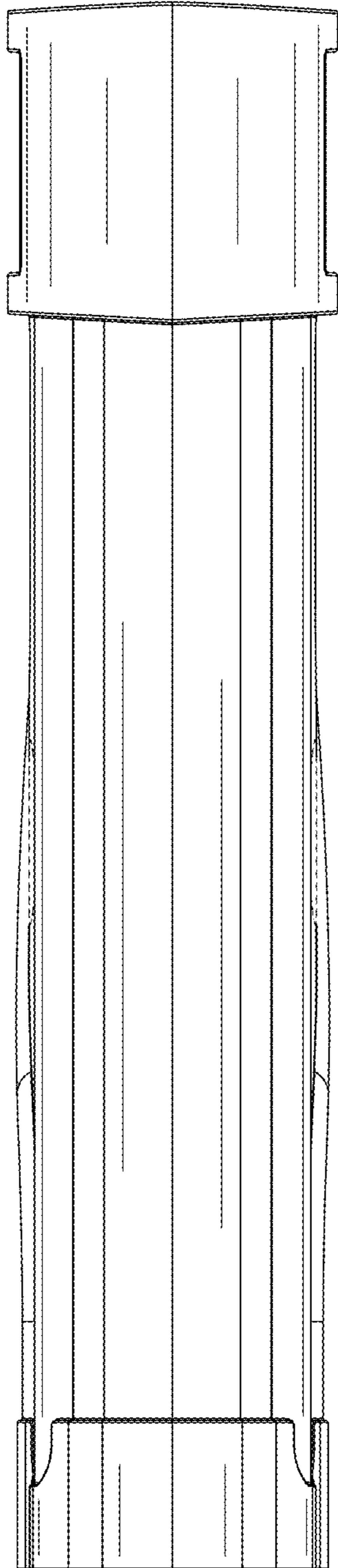


FIG. 5

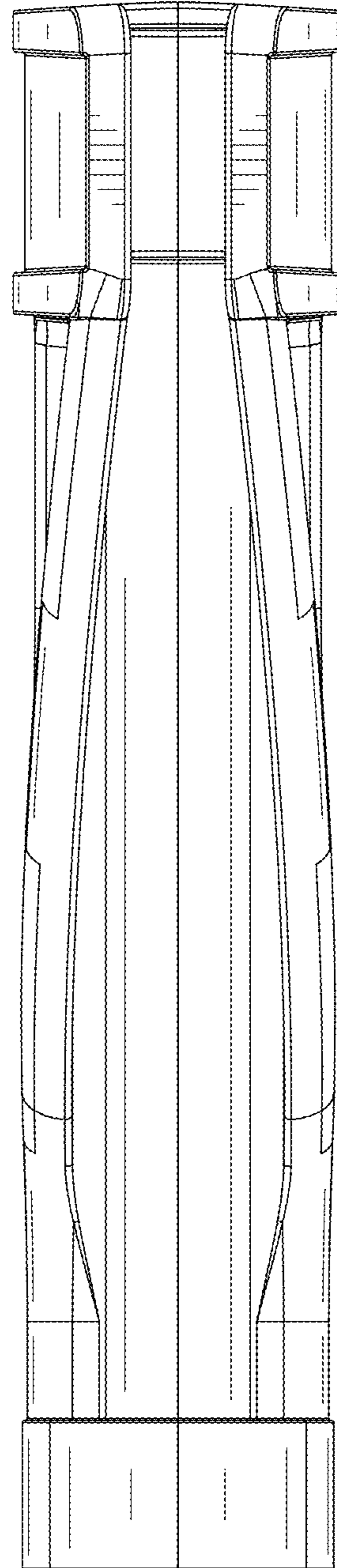


FIG. 6

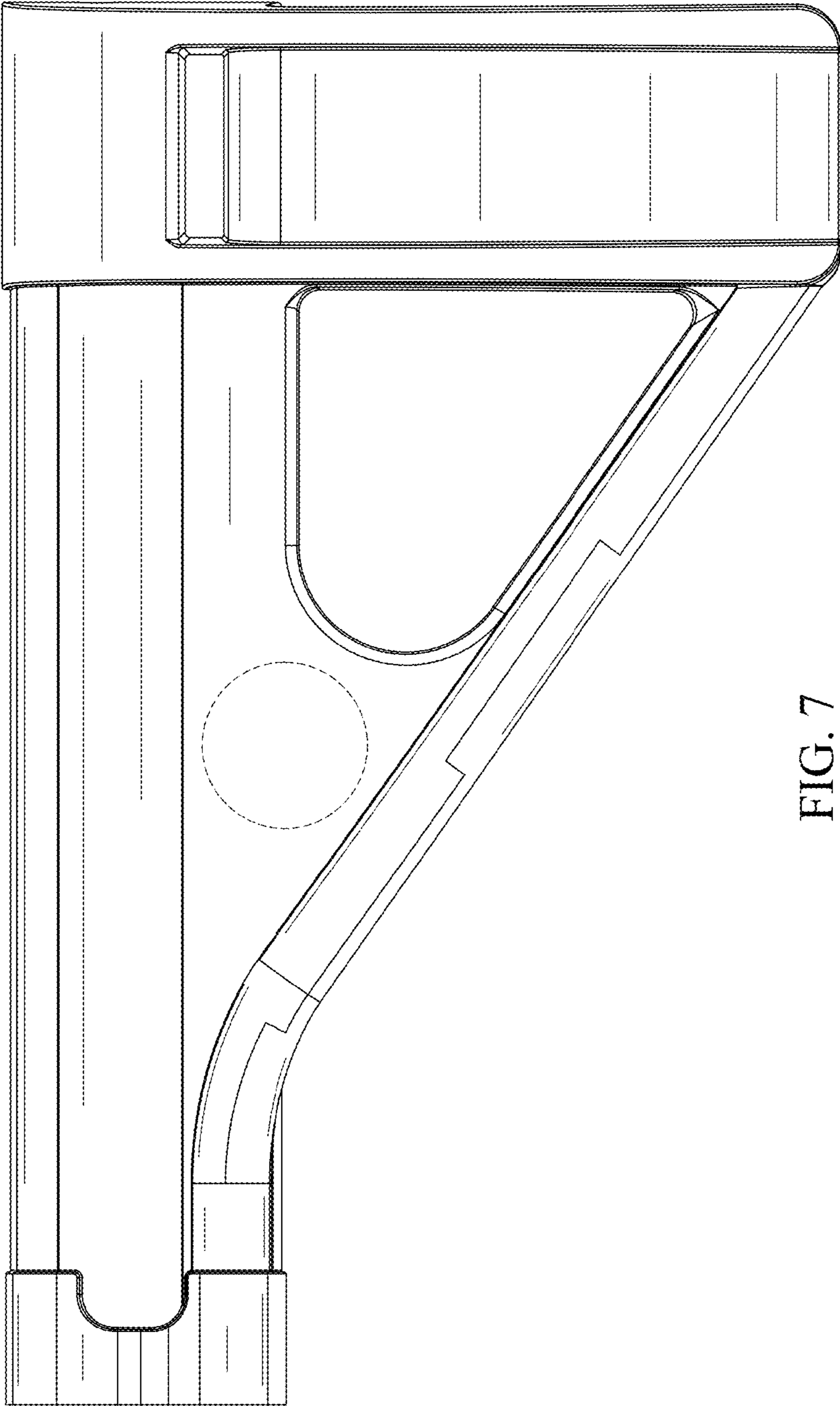


FIG. 7

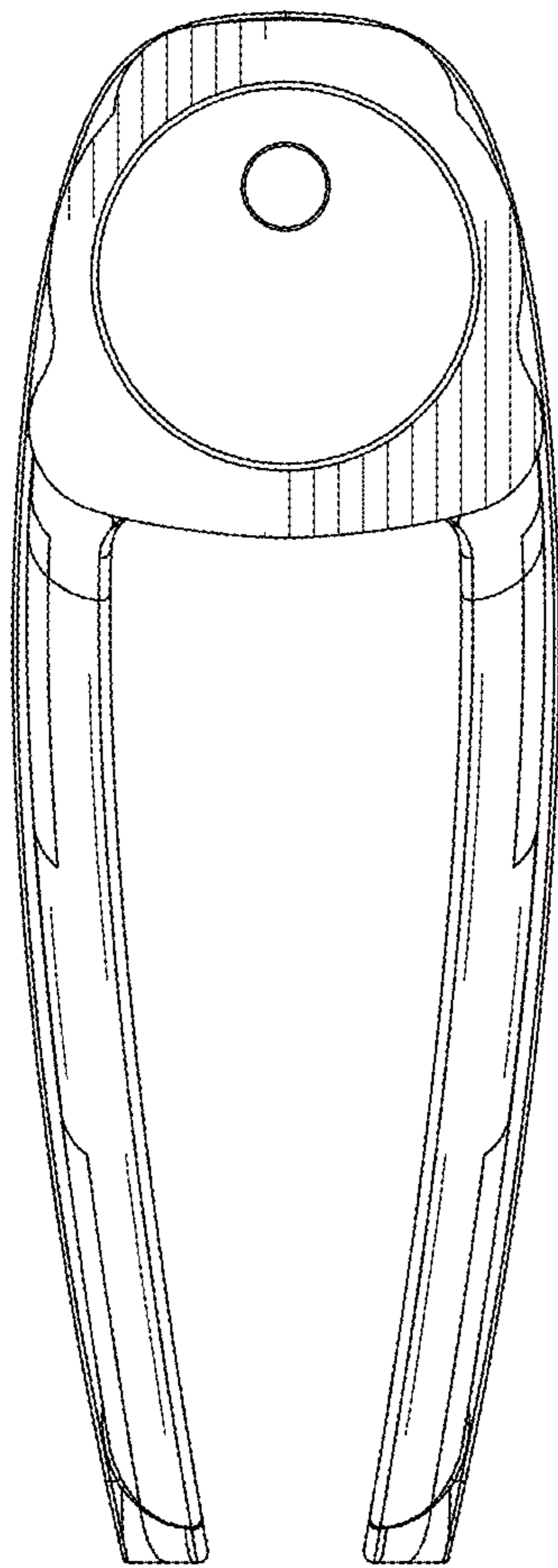


FIG. 8

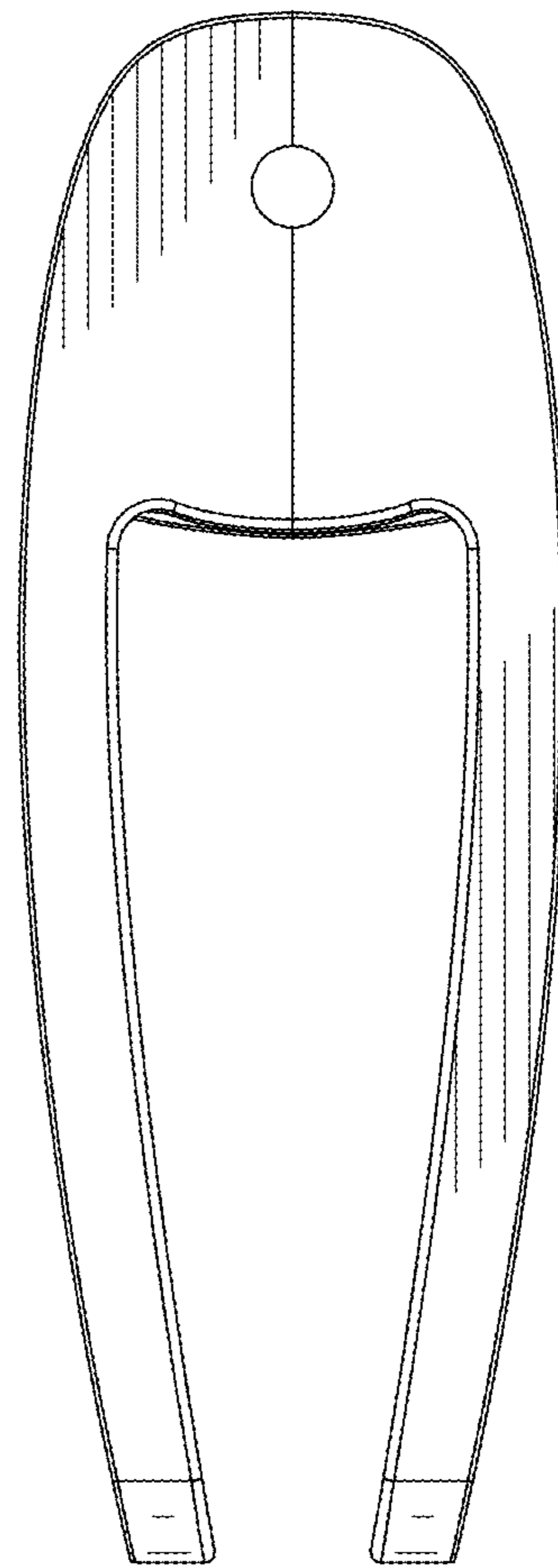


FIG. 9