



US00D774617S

(12) **United States Design Patent**  
**Taliaferro**

(10) **Patent No.:** **US D774,617 S**  
(45) **Date of Patent:** **\*\* Dec. 20, 2016**

(54) **MAGAZINE ADAPTER**

- (71) Applicant: **Marcus Lee Taliaferro**, Houston, TX (US)
- (72) Inventor: **Marcus Lee Taliaferro**, Houston, TX (US)
- (\*\*) Term: **15 Years**
- (21) Appl. No.: **29/529,254**
- (22) Filed: **Jun. 4, 2015**
- (51) **LOC (10) Cl.** ..... **22-01**
- (52) **U.S. Cl.**  
USPC ..... **D22/108**
- (58) **Field of Classification Search**  
USPC ..... D22/108  
CPC ..... F41A 9/70; F41A 9/65; F41A 9/71;  
F41A 9/68; F41A 9/69; F41A 11/02; F41A  
9/61; F41A 9/00; F41A 9/17; F41A 9/23;  
F41A 9/34; F41A 9/84  
See application file for complete search history.

(56) **References Cited**

**U.S. PATENT DOCUMENTS**

- 9,175,923 B2 \* 11/2015 Ruby ..... F41C 27/00
- 2015/0267980 A1 \* 9/2015 Ruby ..... F41C 27/00  
42/6
- 2016/0161201 A1 \* 6/2016 Langevin ..... F41A 3/66  
42/75.02

**FOREIGN PATENT DOCUMENTS**

- ES EP 2631589 A1 \* 8/2013 ..... F41A 9/71

**OTHER PUBLICATIONS**

Video “SKS mag adapter G9/A live fire . . .”, <https://www.youtube.com/watch?v=q5w4GZiEg>, video showing only one side of an early version of the design. The video is not considered an enabling disclosure.

Video “SKS mag adapter G9/A install sequence . . .”, <https://www.youtube.com/watch?v=m3WgBt55u7k>, video showing one side of the device with not enough detail to reverse engineer the product. The video is not considered an enabling disclosure.

\* cited by examiner

*Primary Examiner* — Michael A Pratt  
(74) *Attorney, Agent, or Firm* — QuickPatents, LLC;  
Kevin Prince

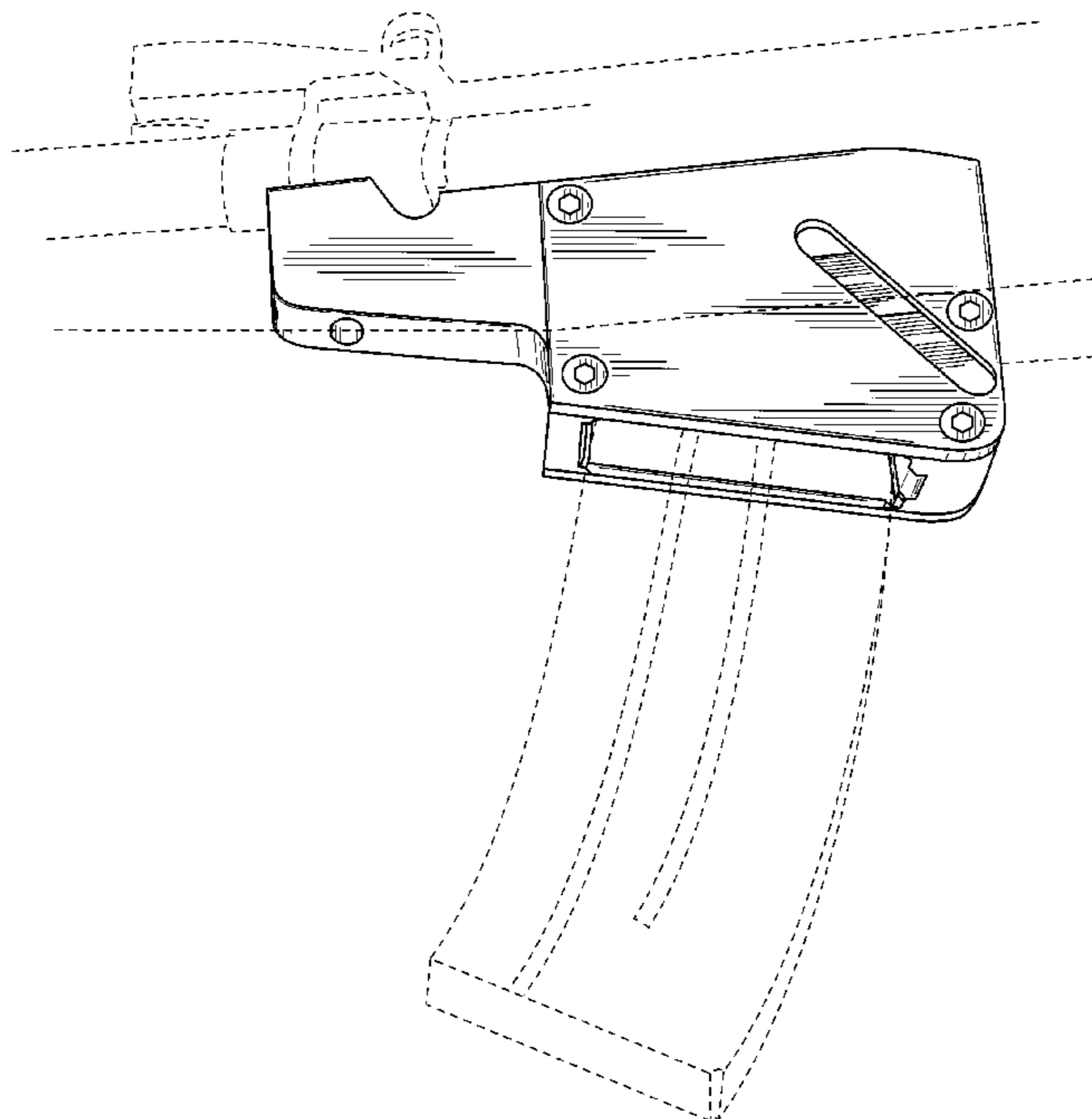
(57) **CLAIM**

I claim the ornamental design for a magazine adapter, as shown and described.

**DESCRIPTION**

FIG. 1 is a bottom perspective view of a magazine adapter, showing my new design;  
FIG. 2 is a top perspective view thereof;  
FIG. 3 is a front elevational view thereof;  
FIG. 4 is a rear elevational view thereof;  
FIG. 5 is a right-side elevational view thereof;  
FIG. 6 is a left-side elevational view thereof;  
FIG. 7 is a top plan view thereof; and,  
FIG. 8 is a bottom plan view thereof.  
The broken lines showing a firearm in FIG. 1 depict environmental matter and form no part of the claimed design.

**1 Claim, 4 Drawing Sheets**



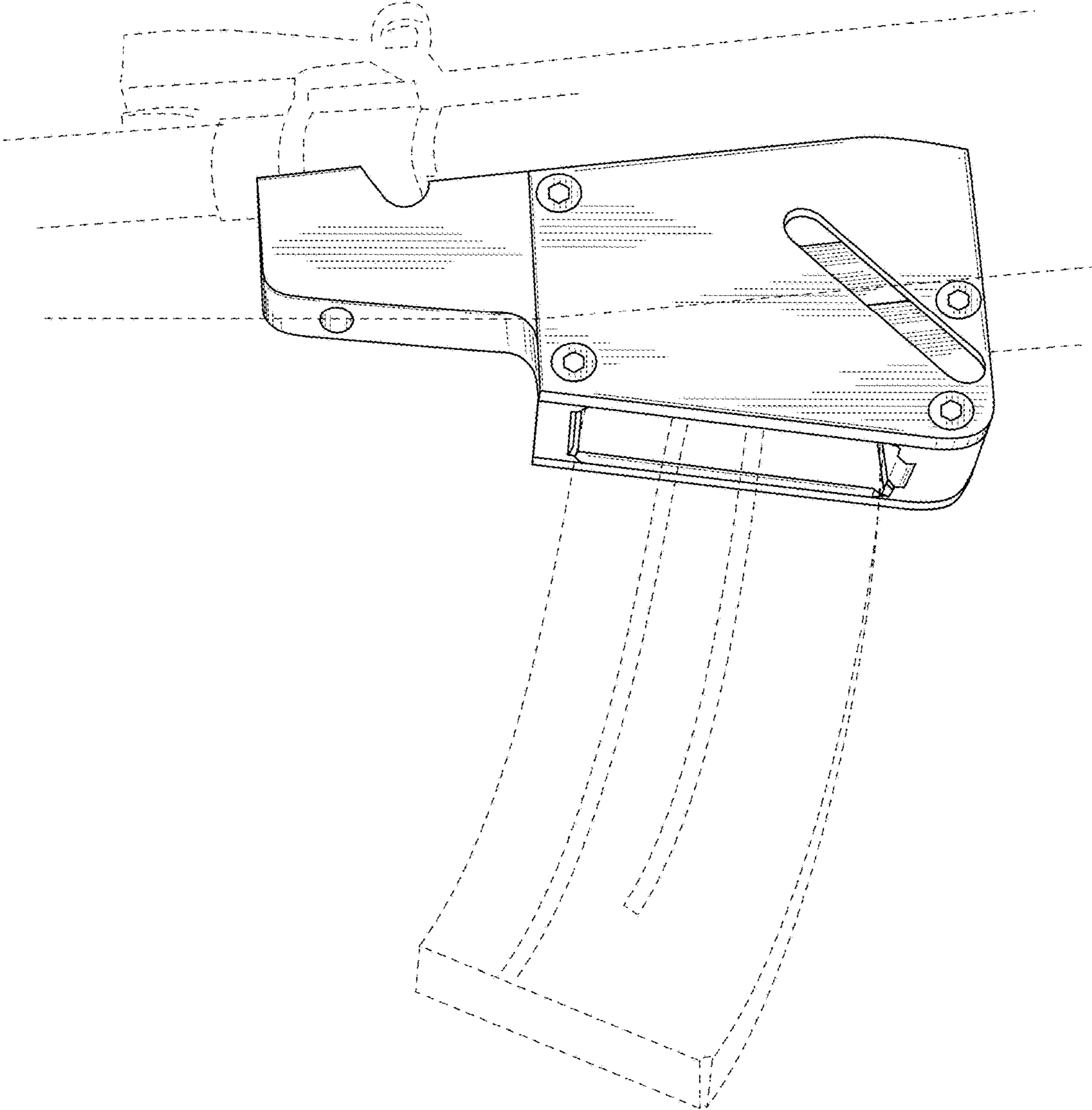


FIG. 1

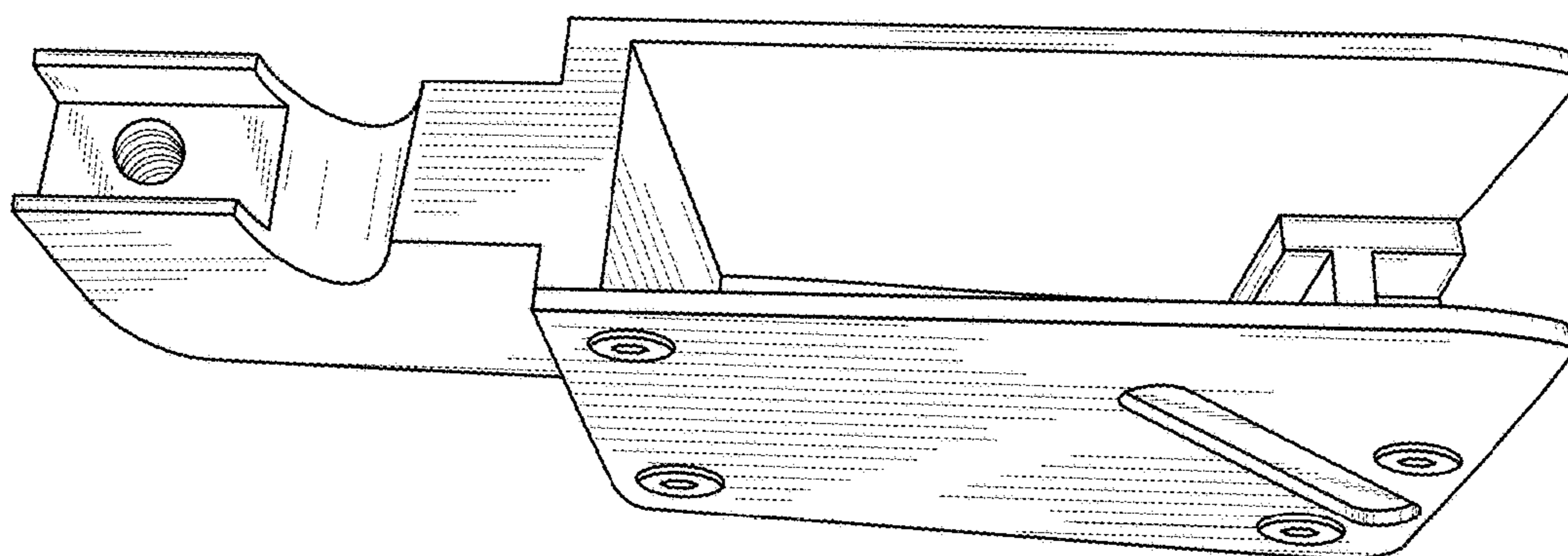


FIG. 2

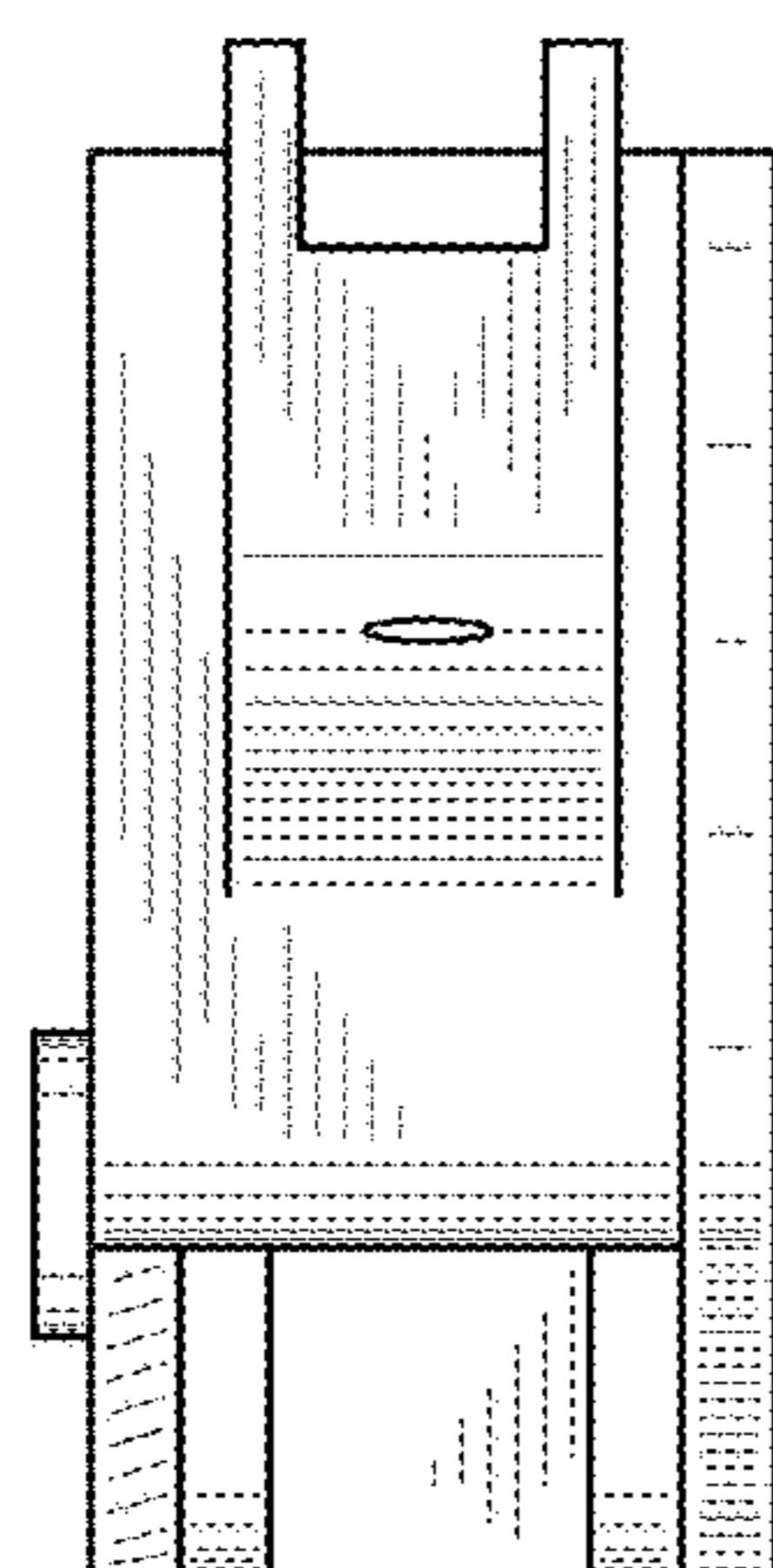


FIG. 3

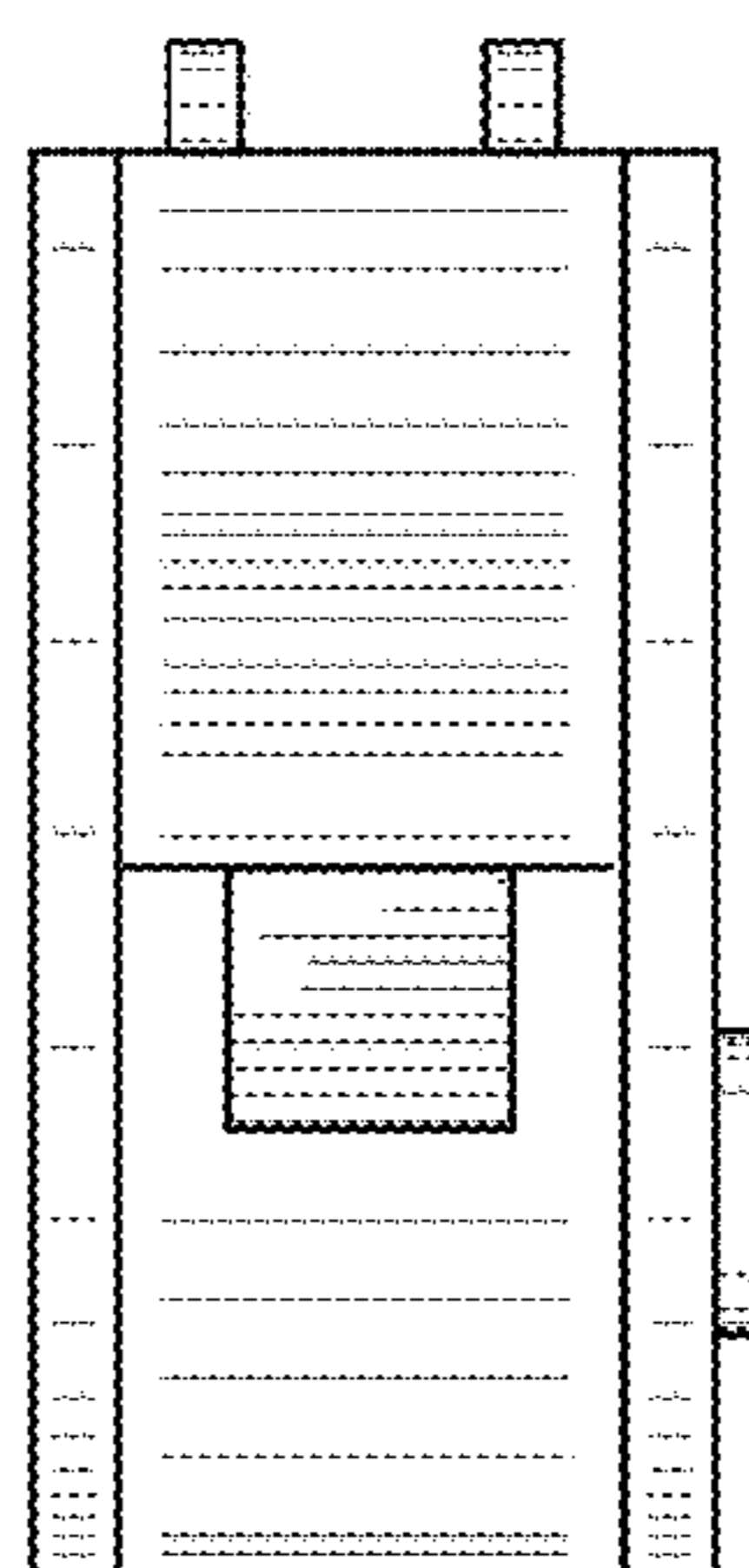


FIG. 4

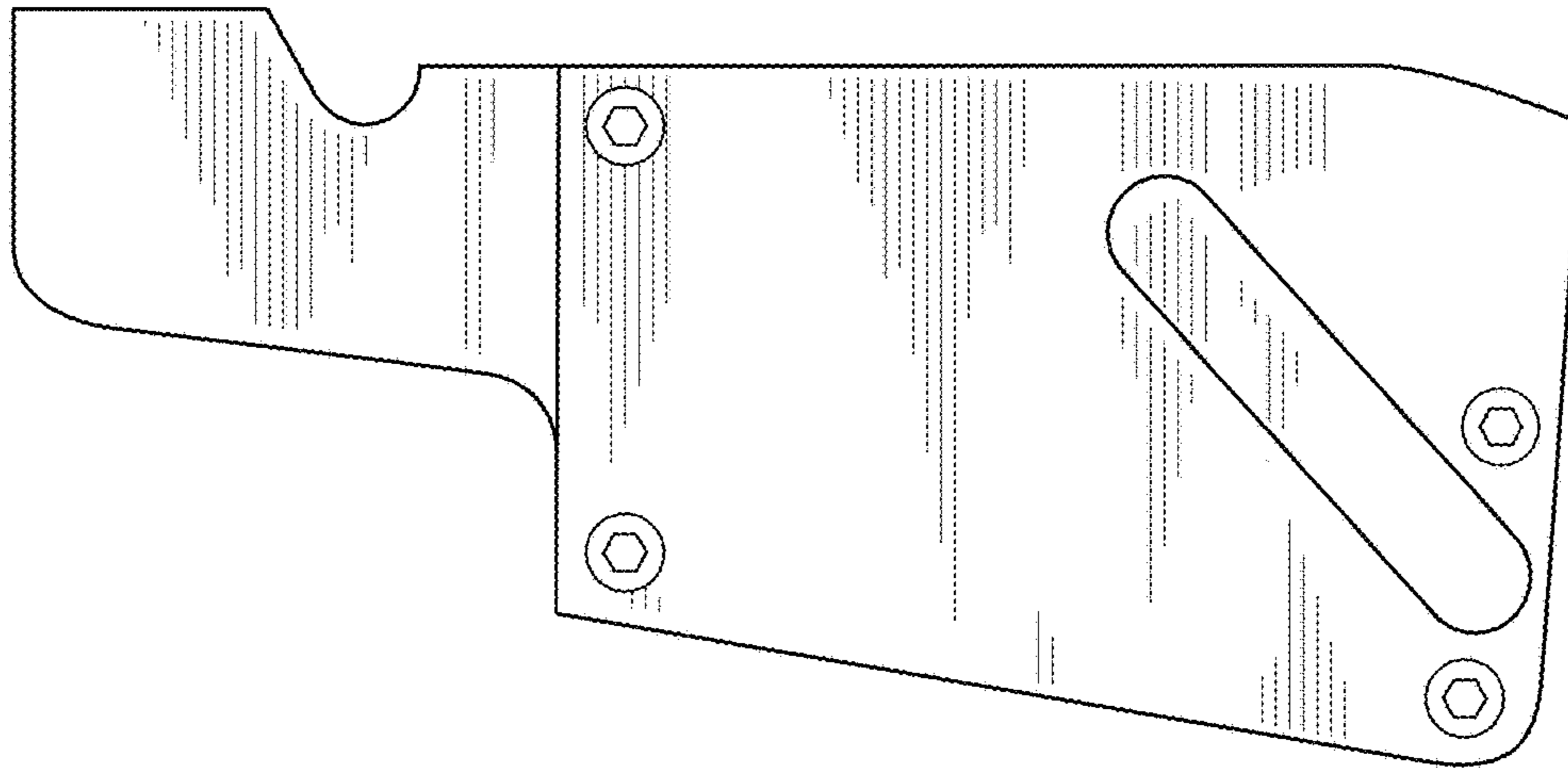


FIG. 5

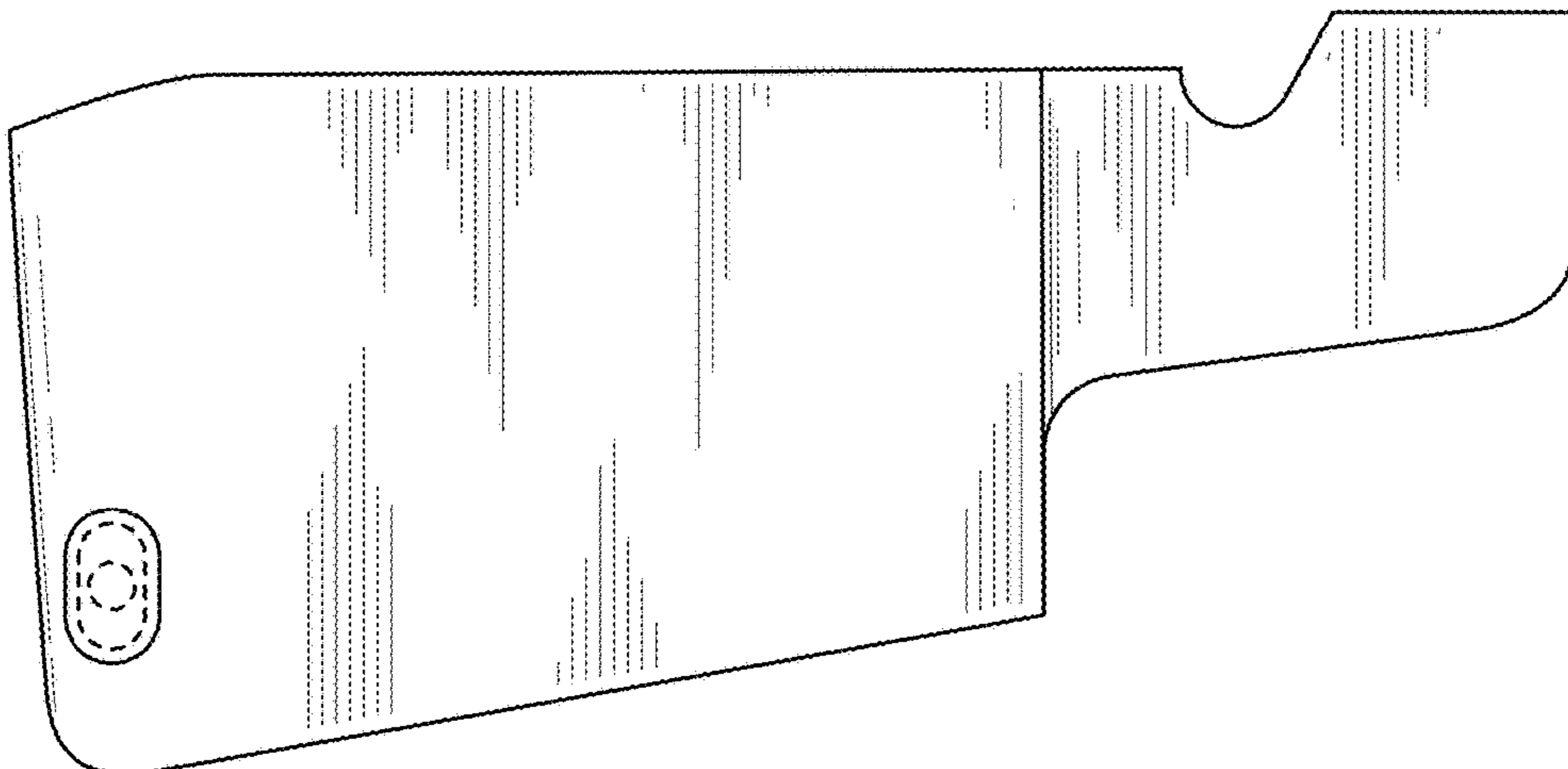


FIG. 6

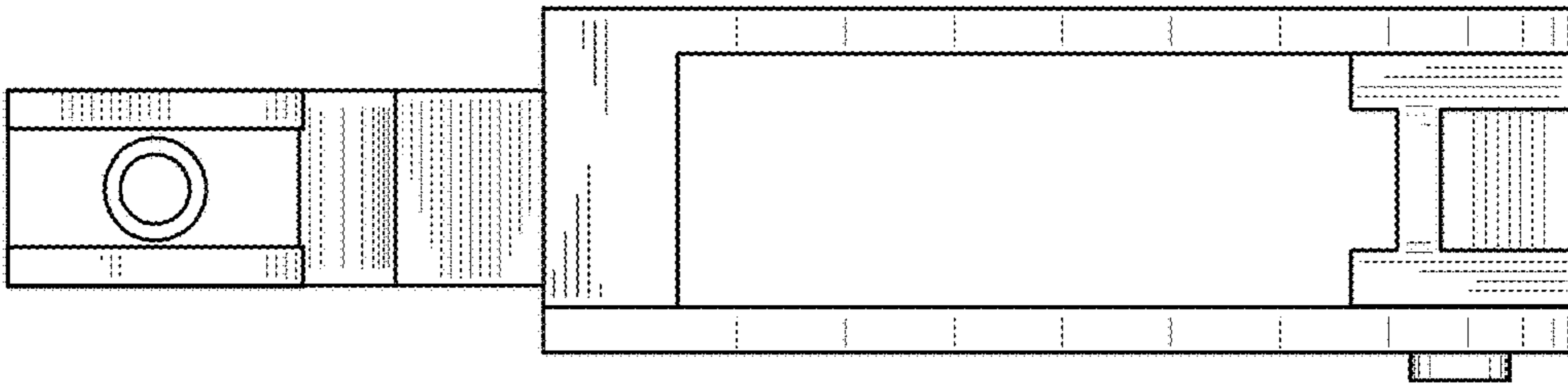


FIG. 7

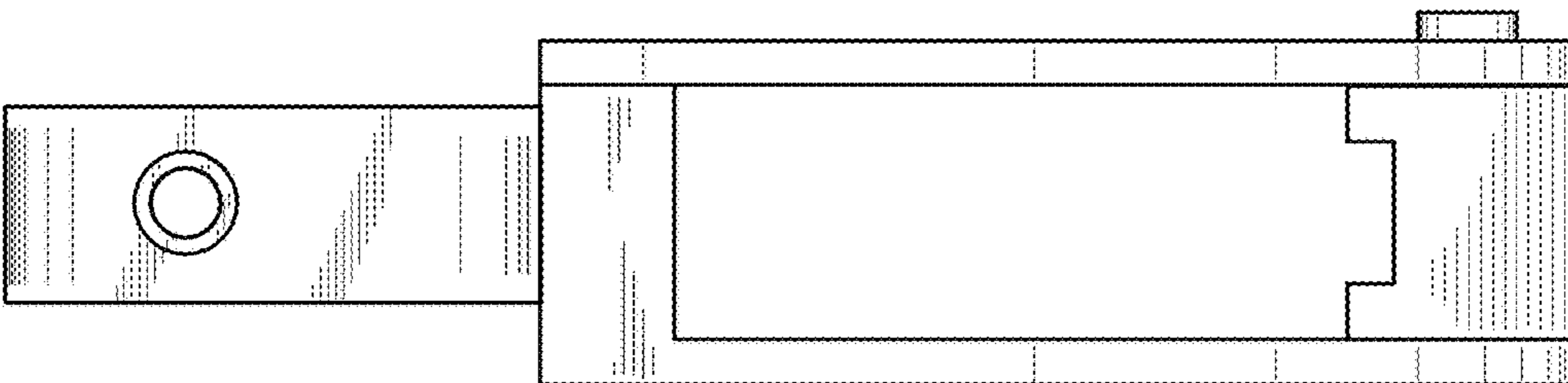


FIG. 8