

US00D774615S

(12) **United States Design Patent** (10) **Patent No.:** **US D774,615 S**
Pedersen (45) **Date of Patent:** **** Dec. 20, 2016**

(54) **TWO-BLADED EXPANDABLE BROADHEAD**

Primary Examiner — Michael A Pratt

(71) Applicant: **Out RAGE, LLC**, Cartersville, GA
(US)

(74) *Attorney, Agent, or Firm* — Winthrop & Weinstine,
P.A.

(72) Inventor: **William E. Pedersen**, Duluth, MN
(US)

(57) **CLAIM**

The ornamental design for a two-bladed expandable broad-
head, as shown and described.

(**) Term: **14 Years**

DESCRIPTION

(21) Appl. No.: **29/523,380**

FIG. 1 is a front view of a first embodiment of a two-bladed
expandable broadhead according to the present invention,
with the two expandable blades of the broadhead retained by
a first shock collar;

(22) Filed: **Apr. 9, 2015**

FIG. 2 is a side view of FIG. 1;

(51) **LOC (10) Cl.** **22-01**

FIG. 3 is a perspective view of FIG. 1;

(52) **U.S. Cl.**
USPC **D22/107**

FIG. 4 is an exploded perspective view of FIG. 1;

(58) **Field of Classification Search**
USPC D22/107, 115
CPC F42B 6/04; F42B 6/08; F42B 6/003;
F42B 6/02; F42B 12/362
See application file for complete search history.

FIG. 5 is a top view of FIG. 1;

FIG. 6 is a front view of the first embodiment of a two-
bladed expandable broadhead, with the two expandable
blades of the broadhead fully deployed;

(56) **References Cited**

U.S. PATENT DOCUMENTS

D279,813 S *	7/1985	Palizzolo	D22/115
4,986,550 A *	1/1991	Segovia	F42B 6/08 473/584
5,143,380 A	9/1992	Maleski		
D363,108 S *	10/1995	Johnson	D22/115
D370,246 S *	5/1996	Johnson	D22/115
D384,126 S *	9/1997	Graham	D22/107
7,951,023 B2	5/2011	Perkins, Jr.		
D646,747 S *	10/2011	Samona	D22/115
8,147,362 B2	4/2012	Muntanion et al.		
8,758,176 B2 *	6/2014	Pedersen	F42B 6/08 473/583
D710,962 S *	8/2014	Pedersen	D22/107
D730,471 S *	5/2015	Pedersen	D22/107
D743,500 S *	11/2015	Pedersen	D22/107

FIG. 7 is a side view of FIG. 6;

FIG. 8 is a perspective view of FIG. 6;

FIG. 9 is a top view of FIG. 6;

FIG. 10 is a front view of a second embodiment of a
two-bladed expandable broadhead according to the present
invention, with the two blades of the expandable broadhead
retained by a second shock collar;

FIG. 11 is a side view of FIG. 10;

FIG. 12 is a perspective view of FIG. 10;

FIG. 13 is an exploded perspective view of FIG. 10;

FIG. 14 is a top view of FIG. 10;

FIG. 15 is a front view of the second embodiment of a
two-bladed expandable broadhead, with the two expandable
blades of the broadhead fully deployed;

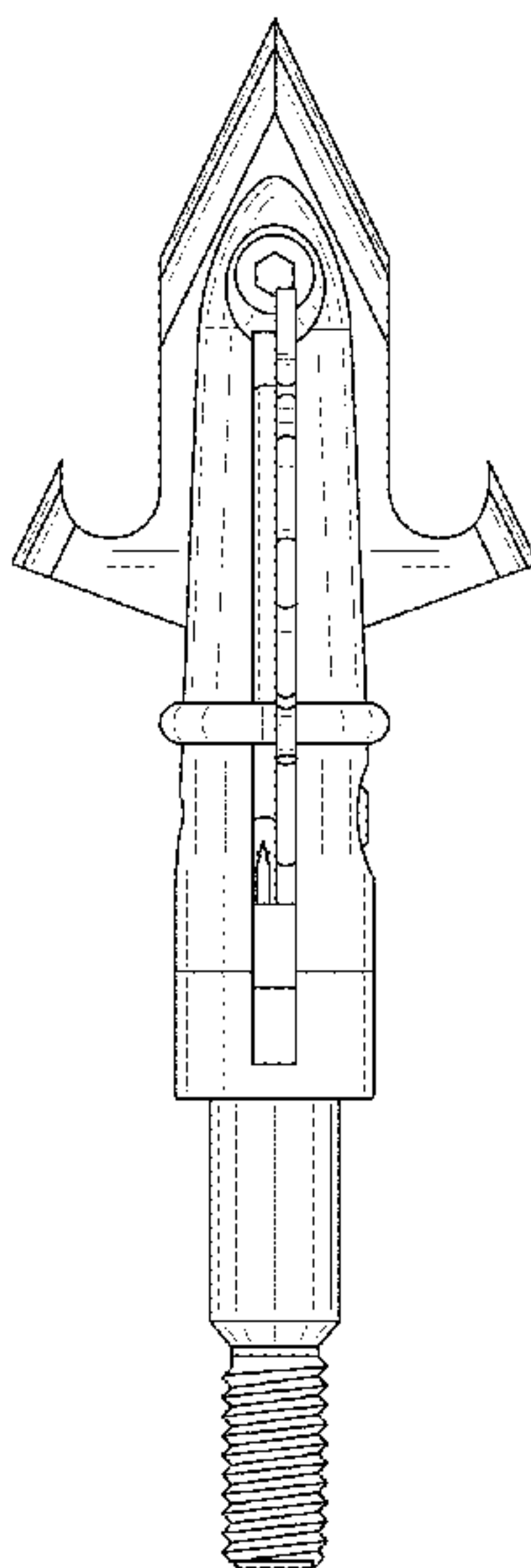
FIG. 16 is a side view of FIG. 15;

FIG. 17 is a perspective view of FIG. 15; and,

FIG. 18 is a top view of FIG. 15.

(Continued)

1 Claim, 18 Drawing Sheets



(56)

References Cited

U.S. PATENT DOCUMENTS

D743,501 S * 11/2015 Pedersen D22/107
9,228,813 B1 * 1/2016 Pedersen F42B 6/08

* cited by examiner

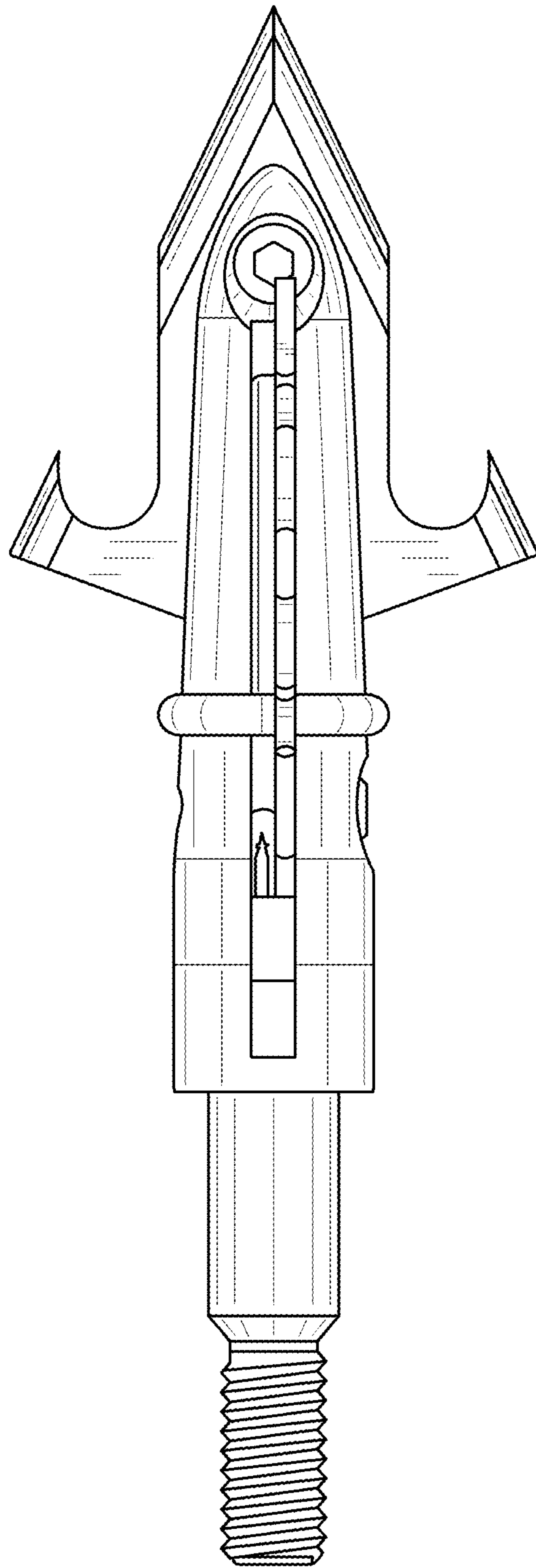


FIG. 1

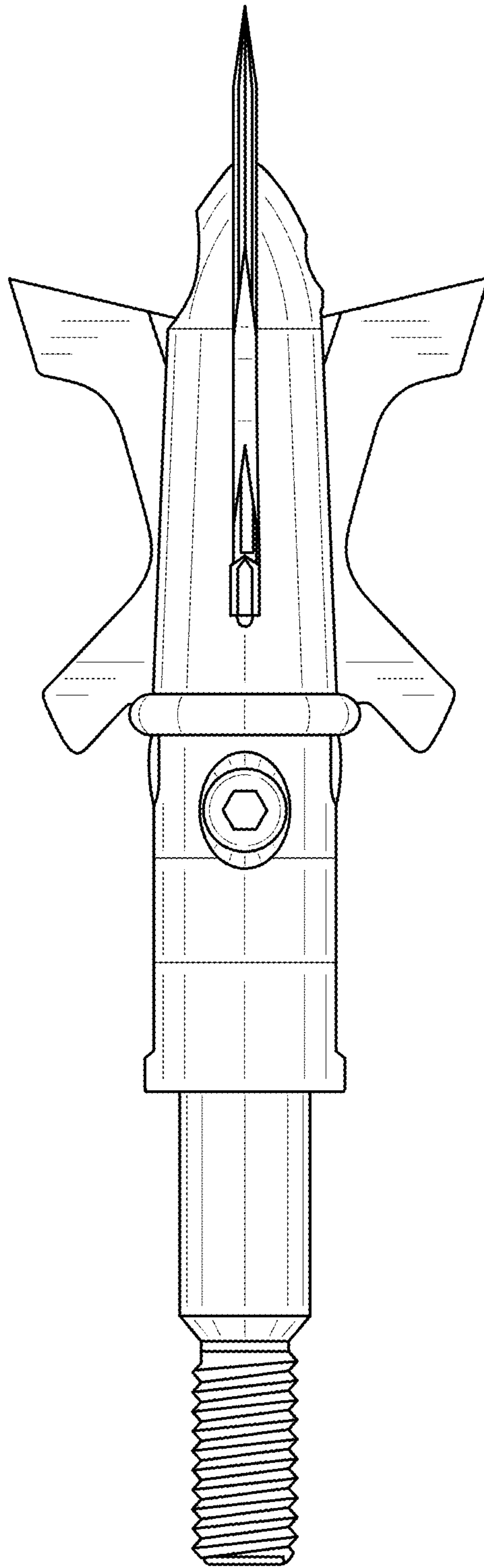


FIG. 2

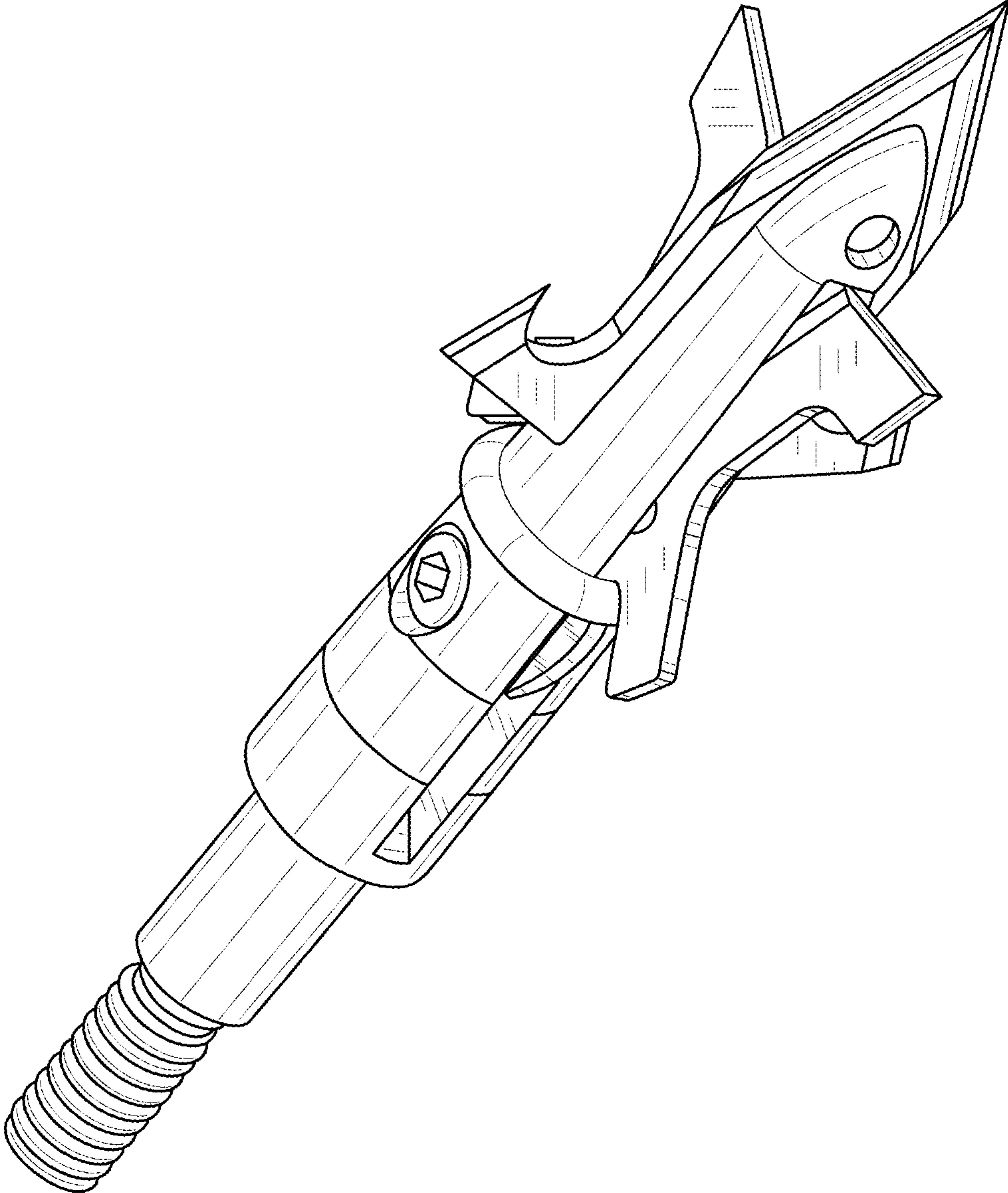


FIG. 3

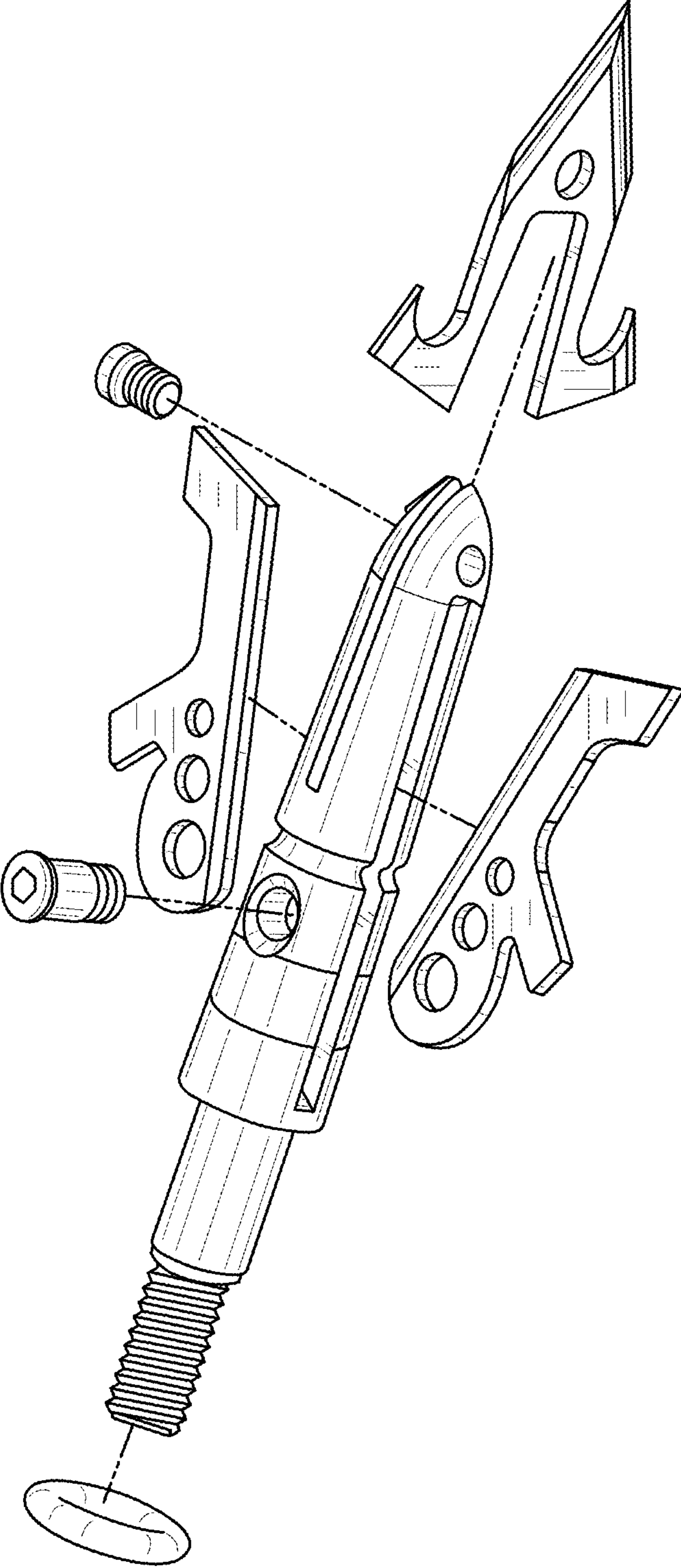


FIG. 4

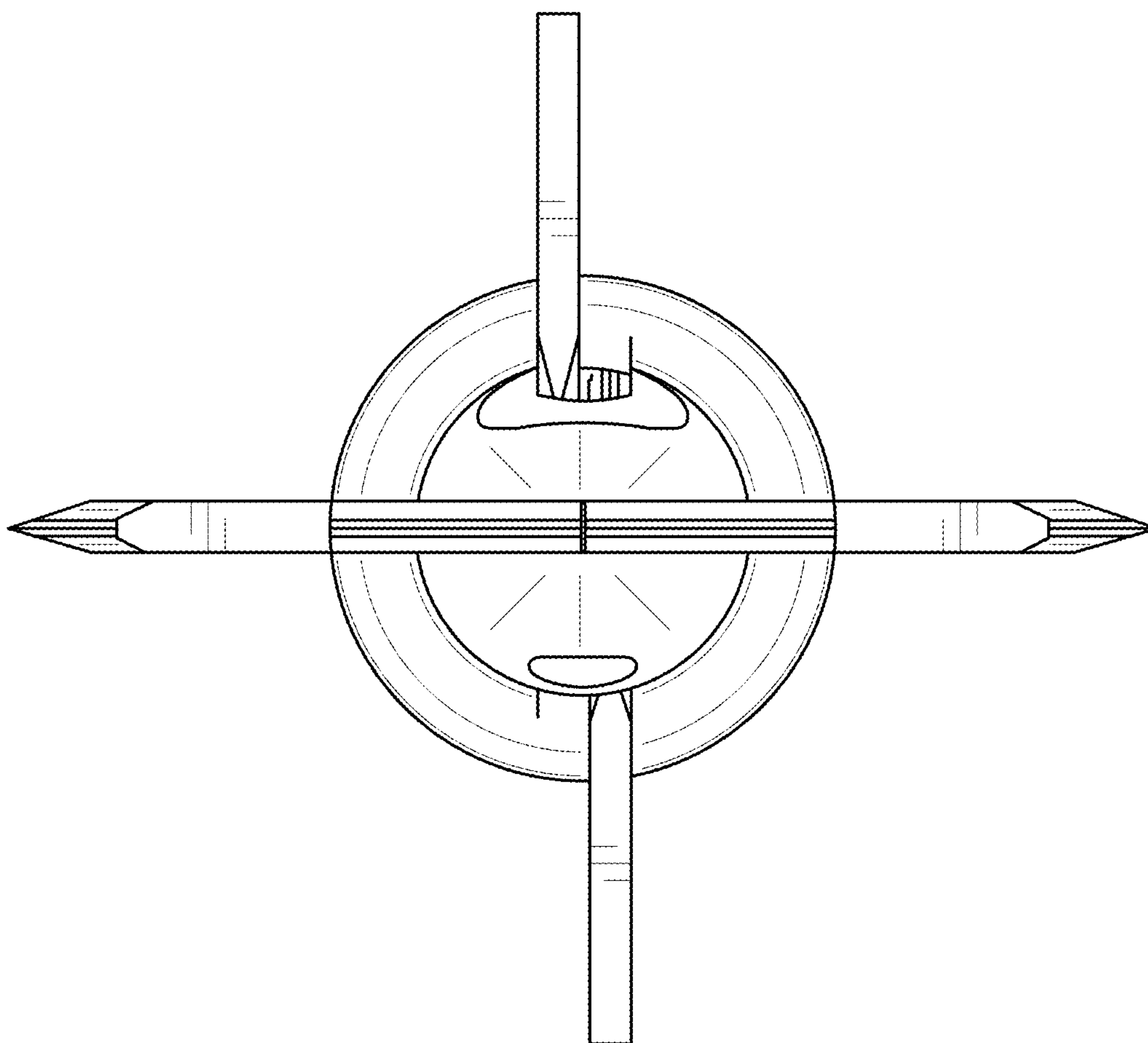


FIG. 5

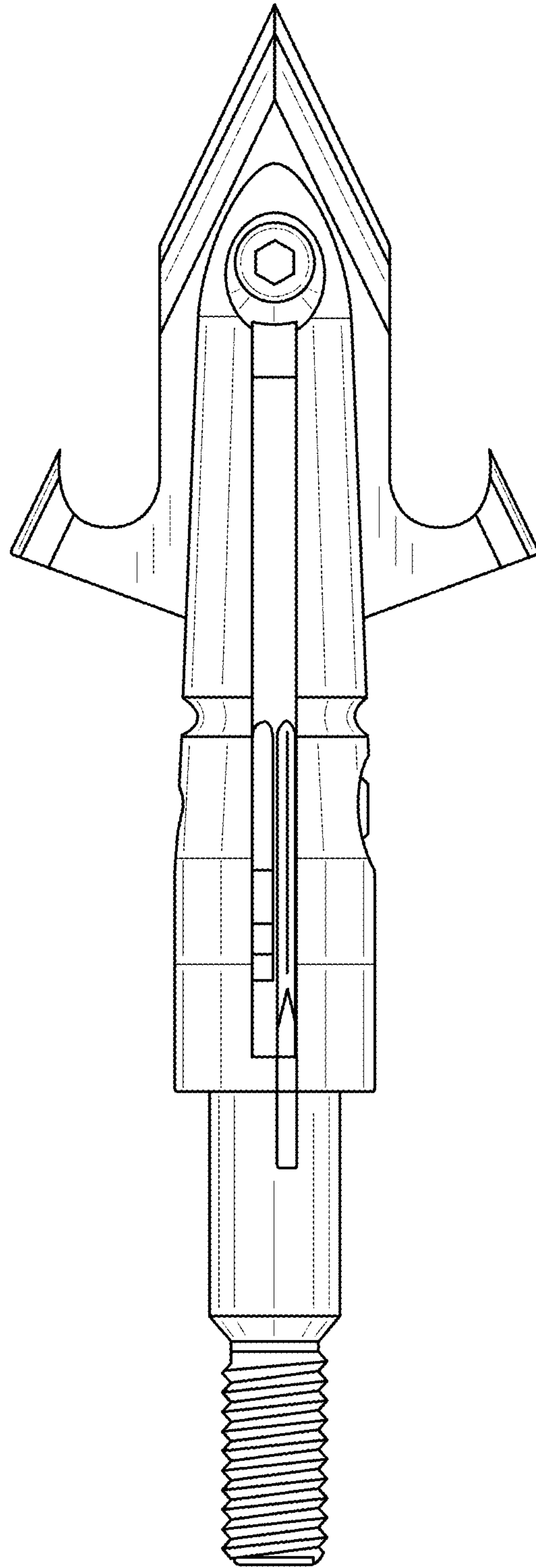


FIG.6

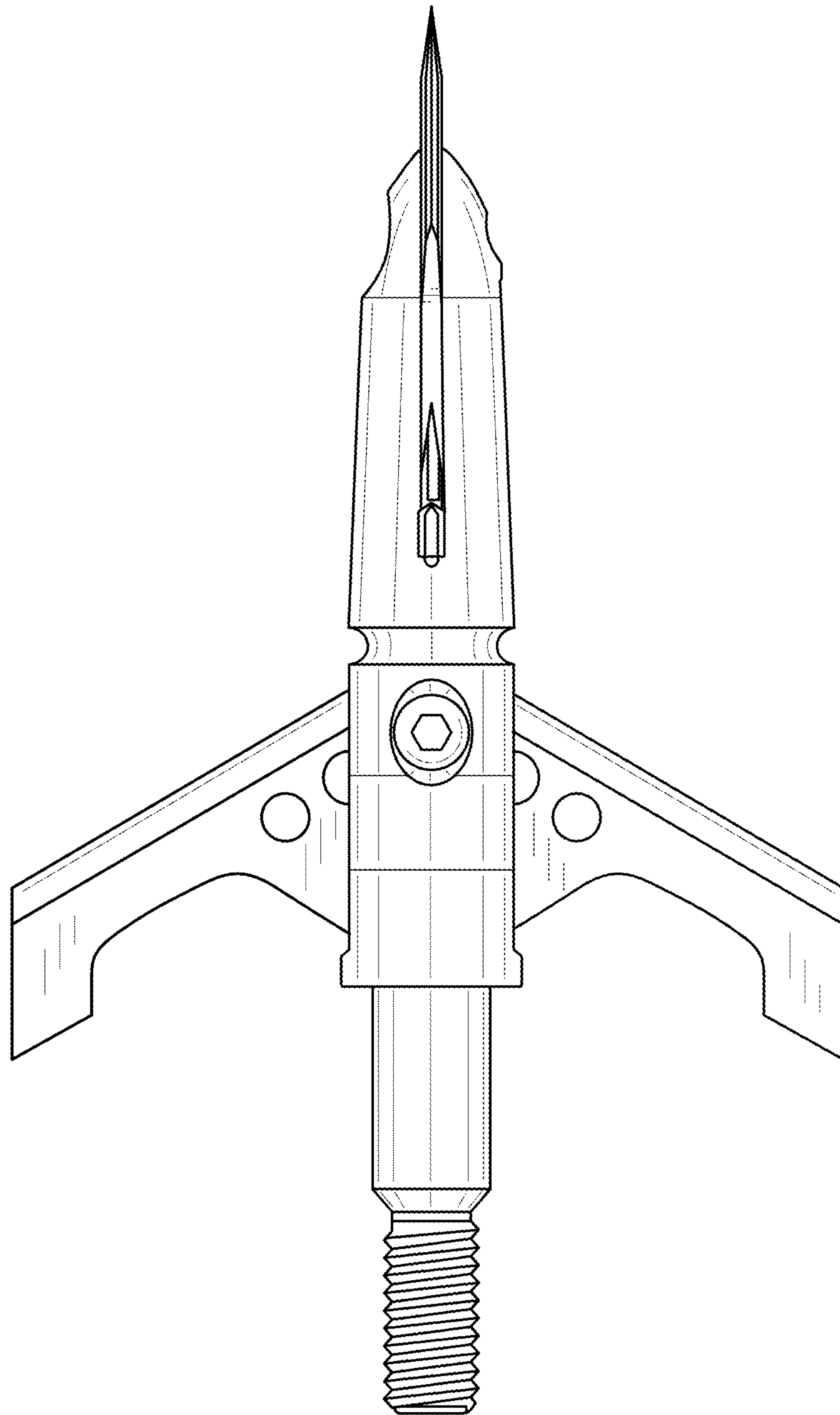


FIG. 7

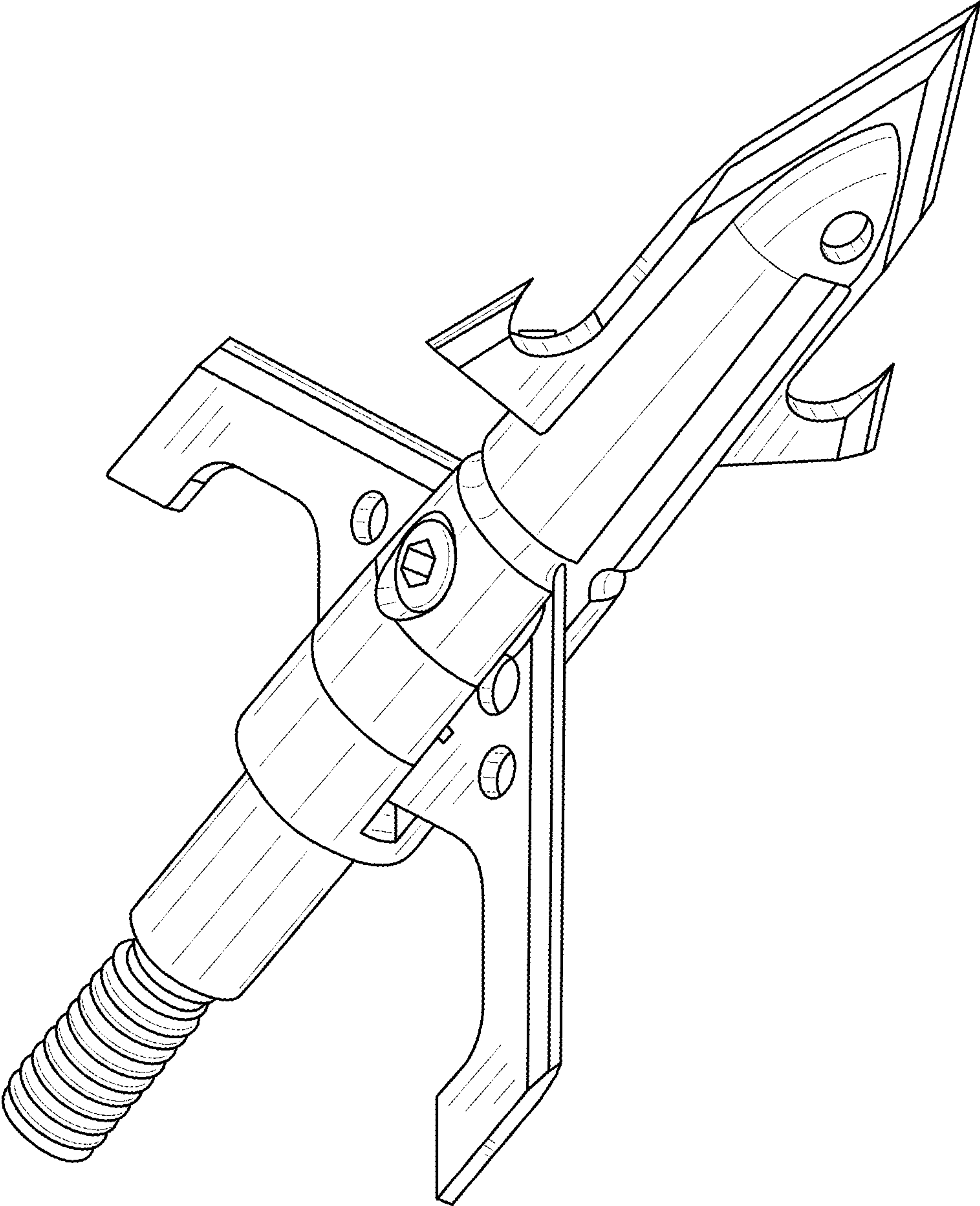


FIG. 8

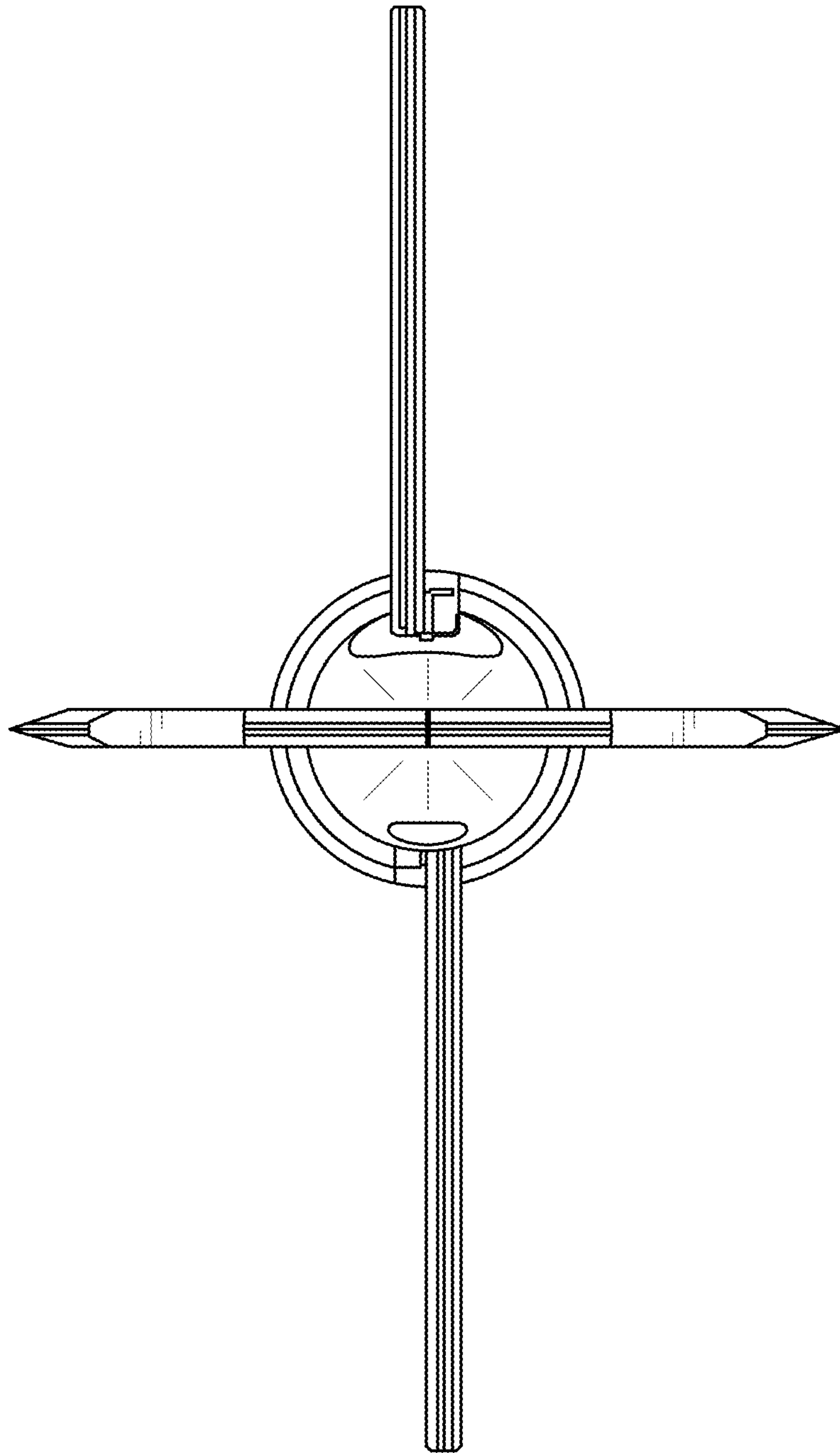


FIG. 9

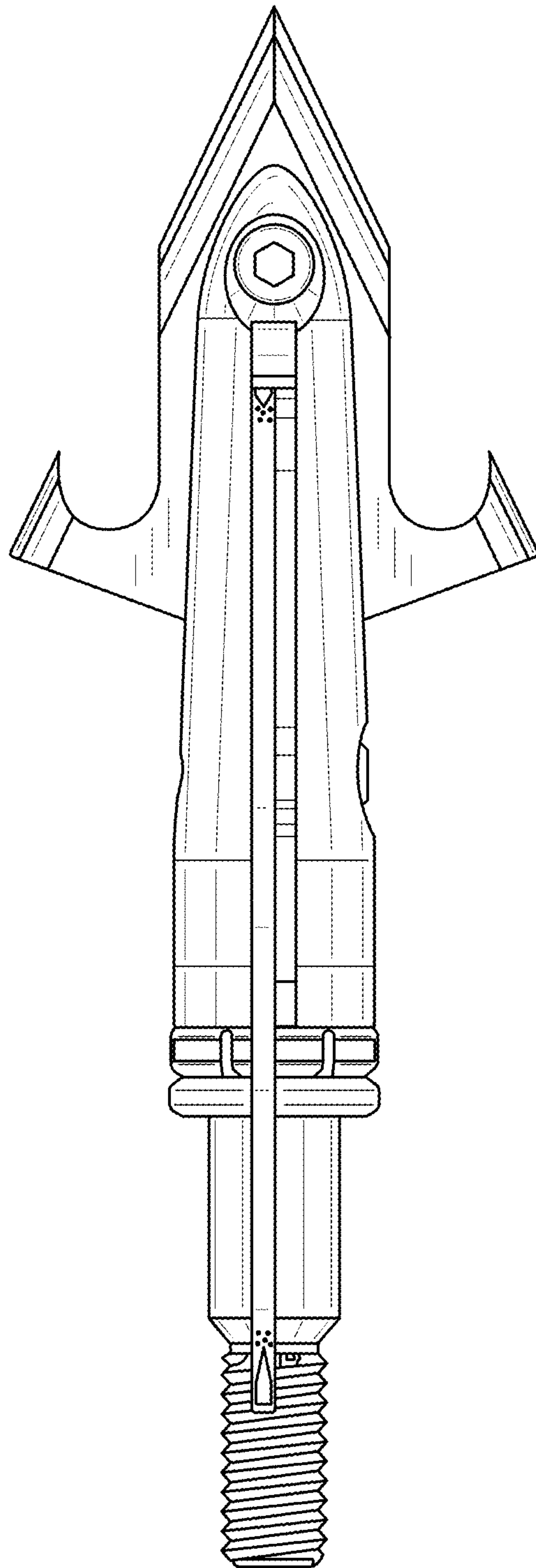


FIG. 10

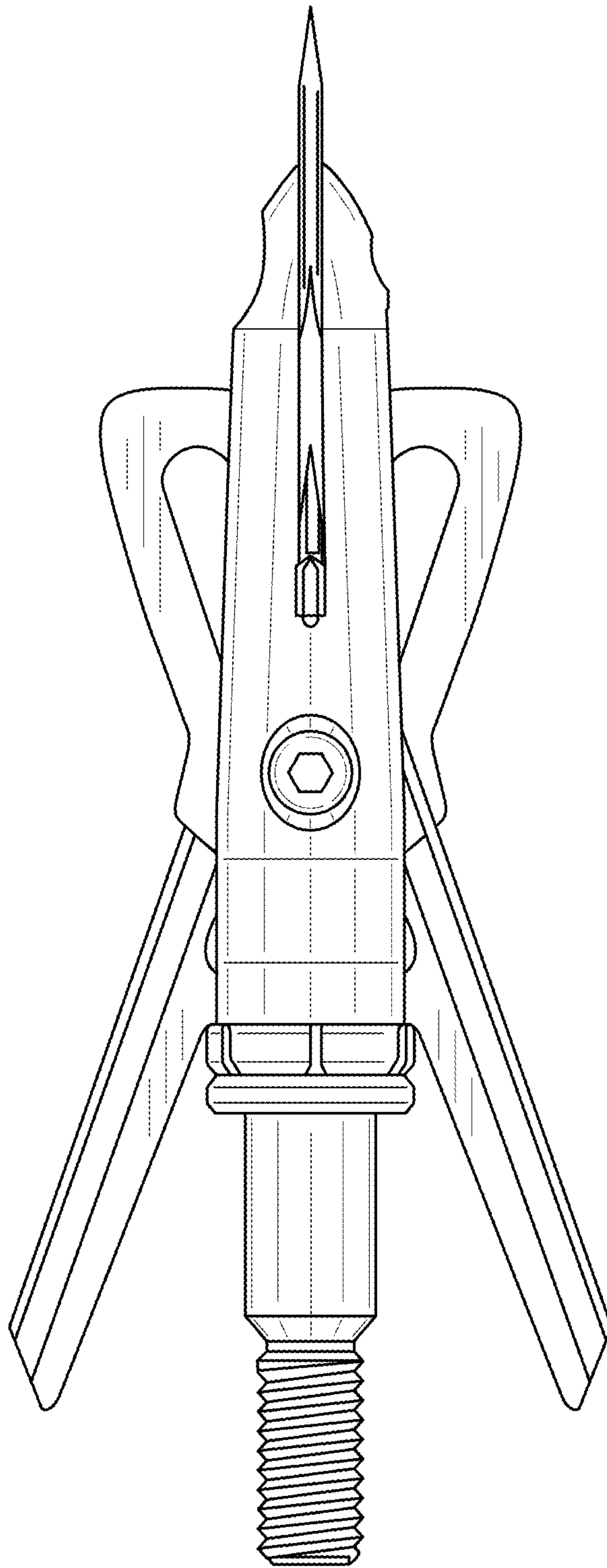


FIG. 11

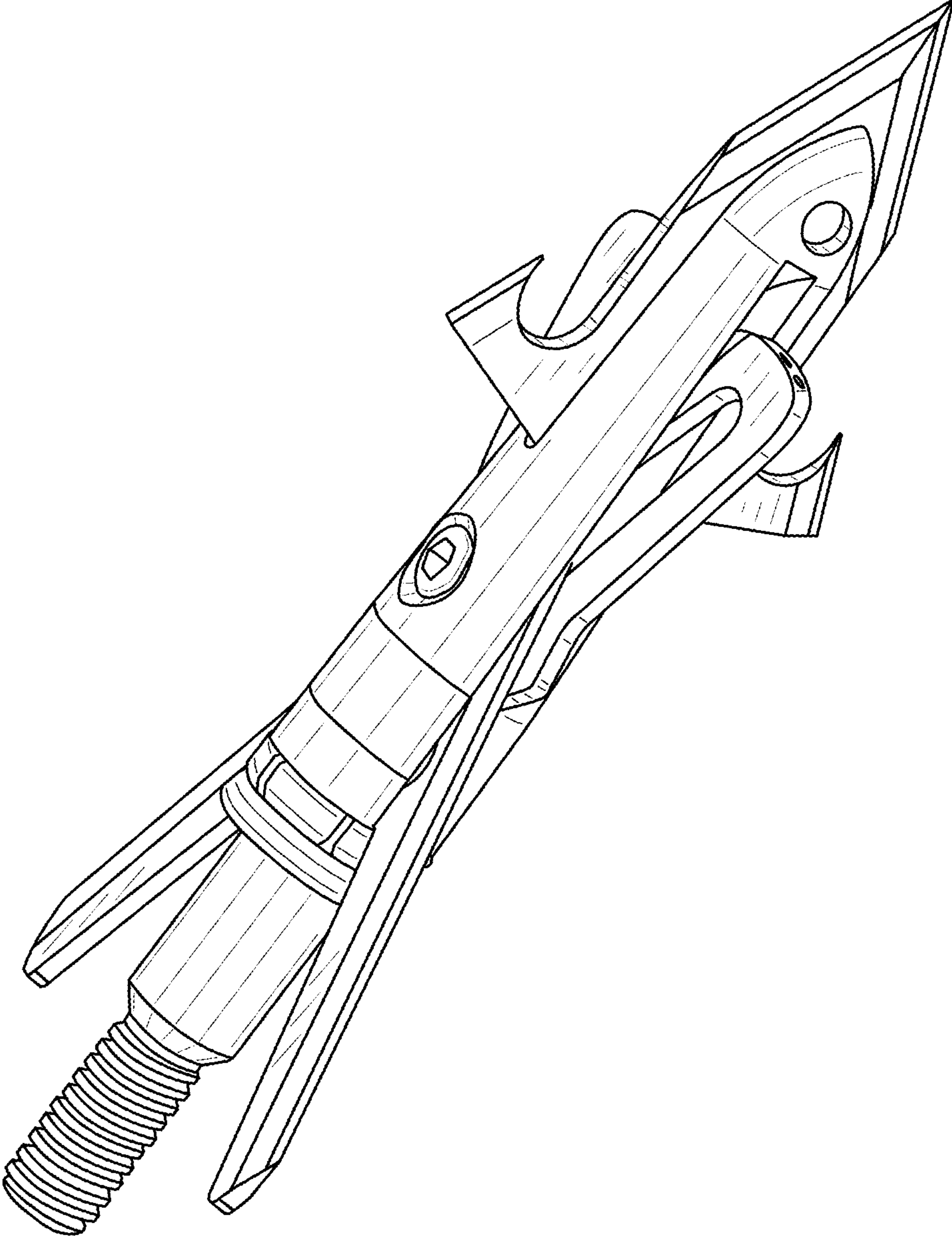


FIG. 12

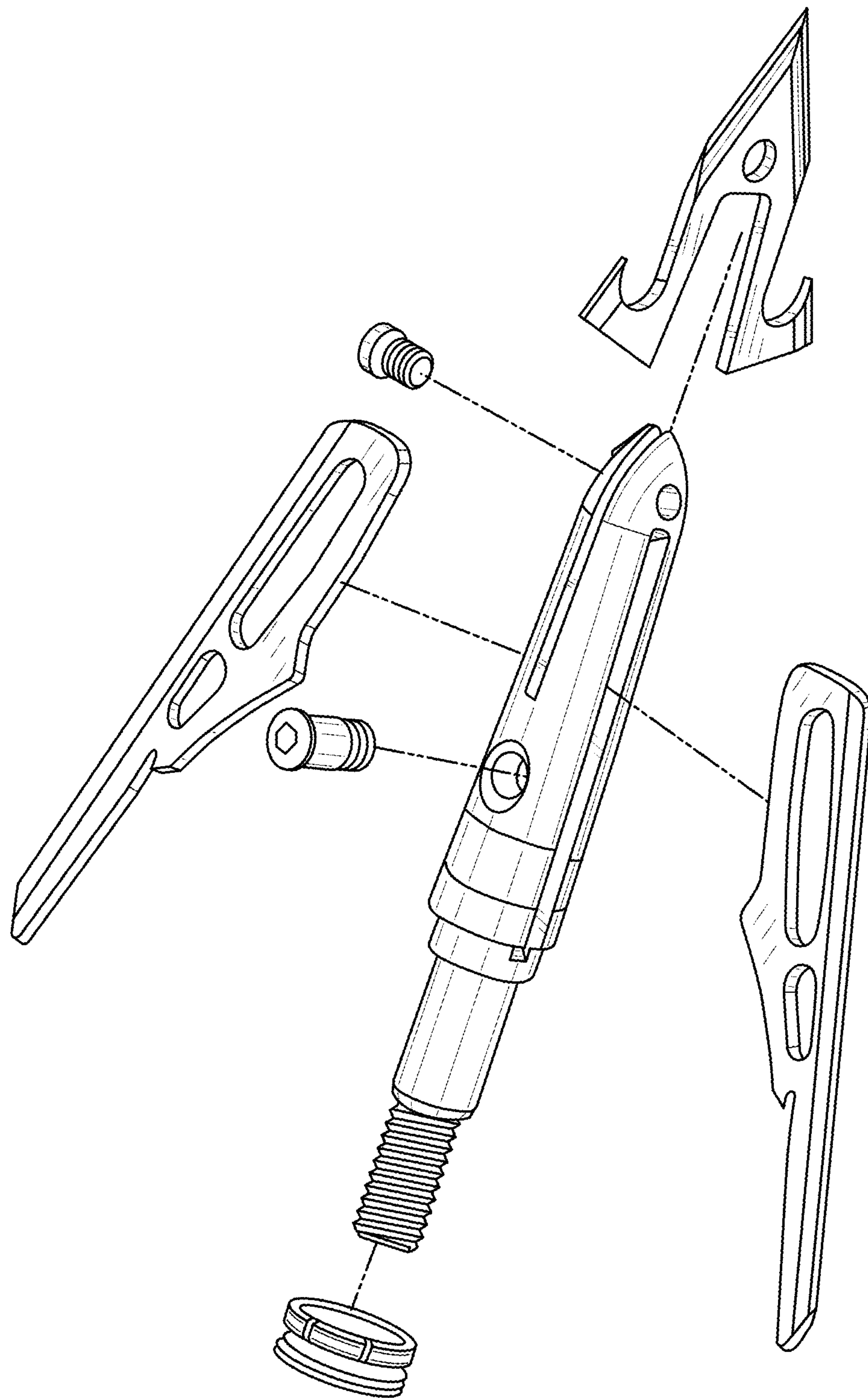


FIG. 13

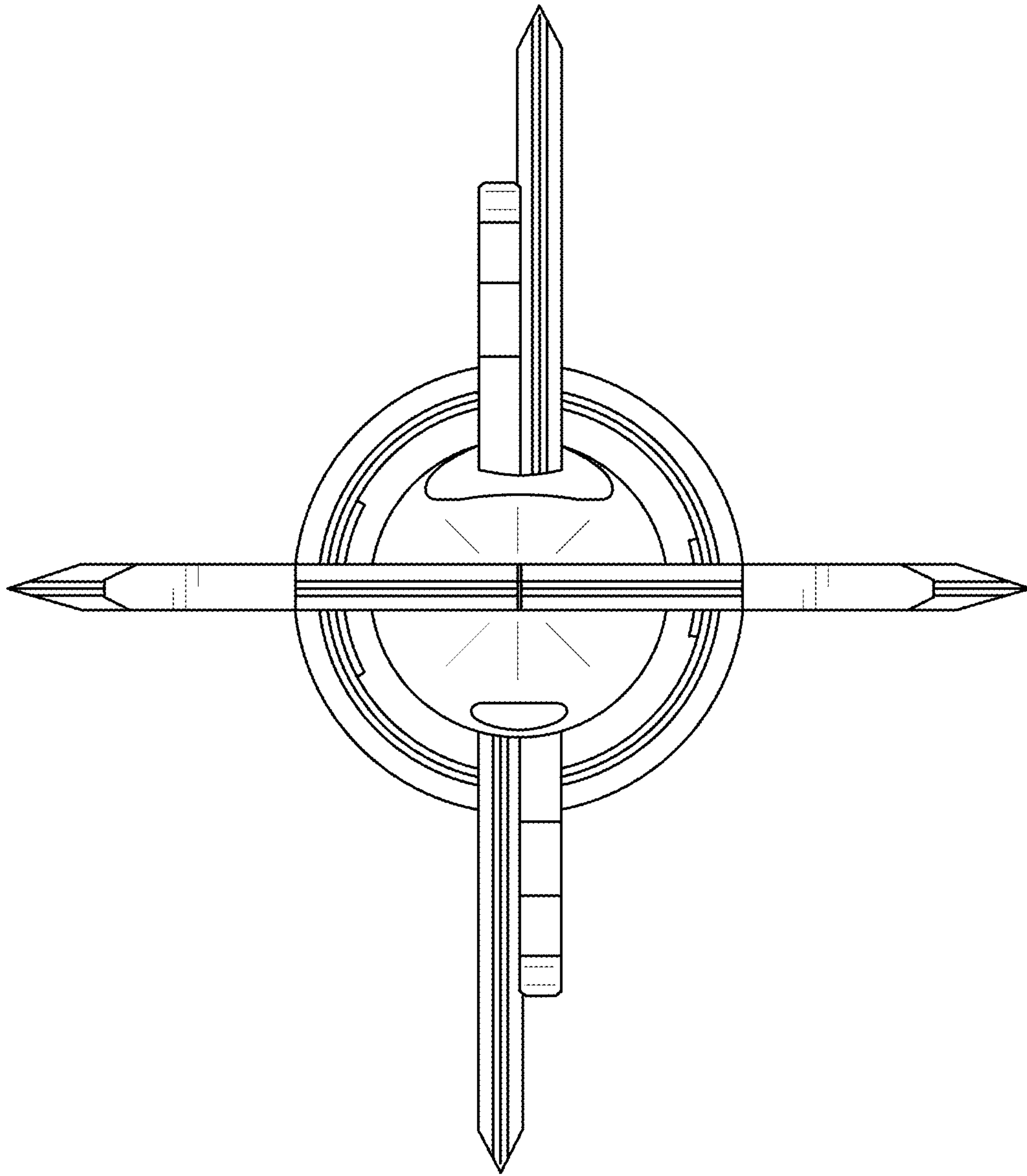


FIG. 14

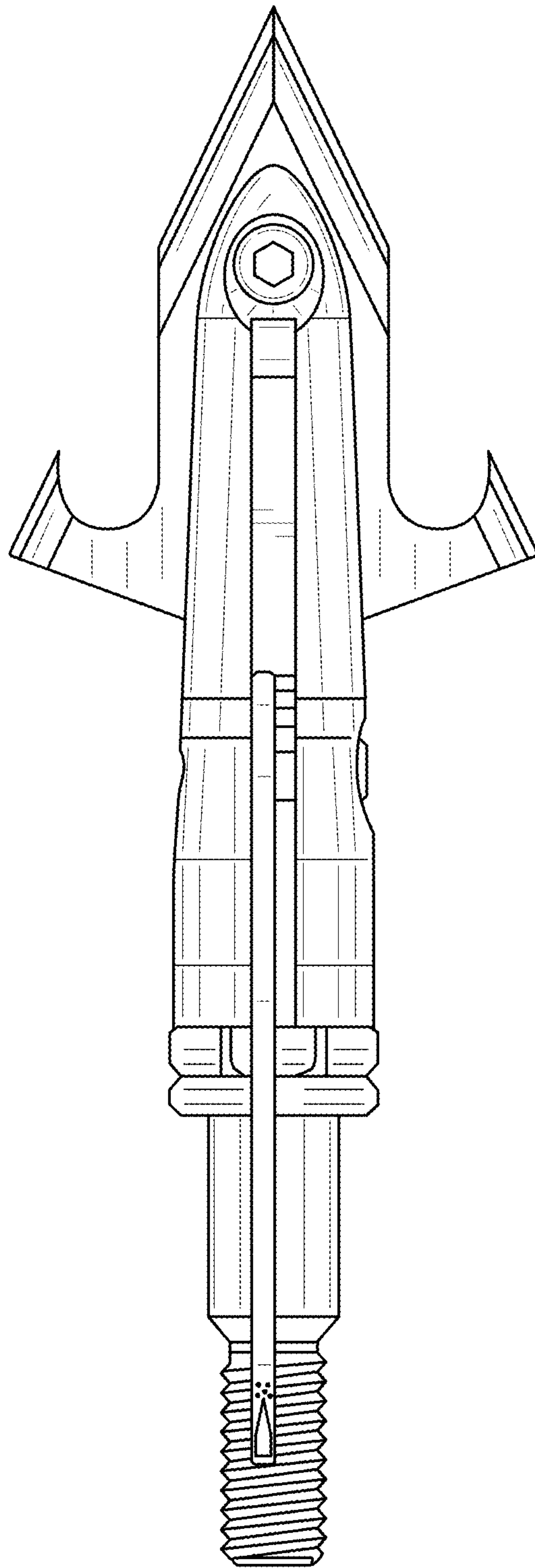


FIG. 15

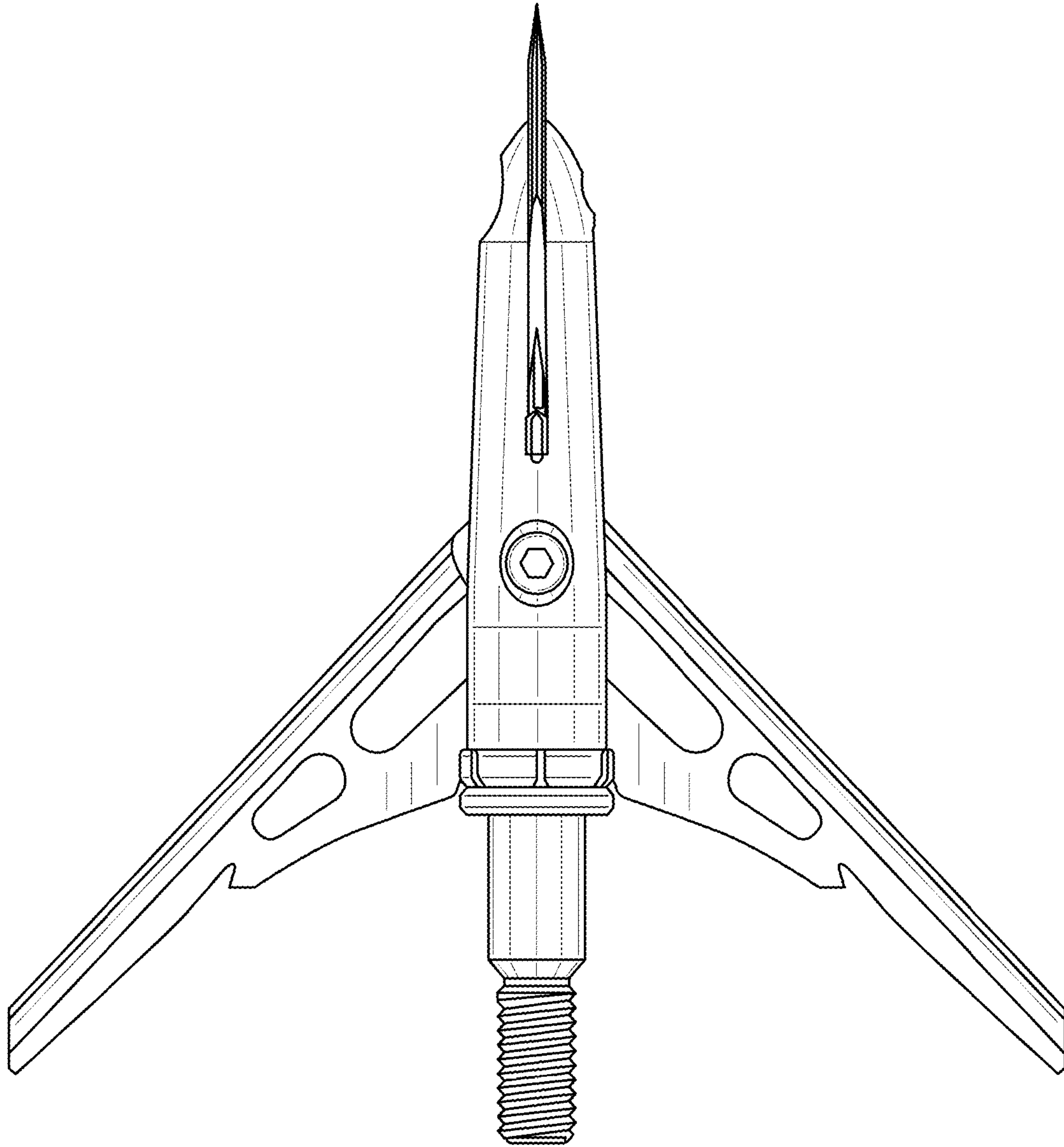


FIG. 16

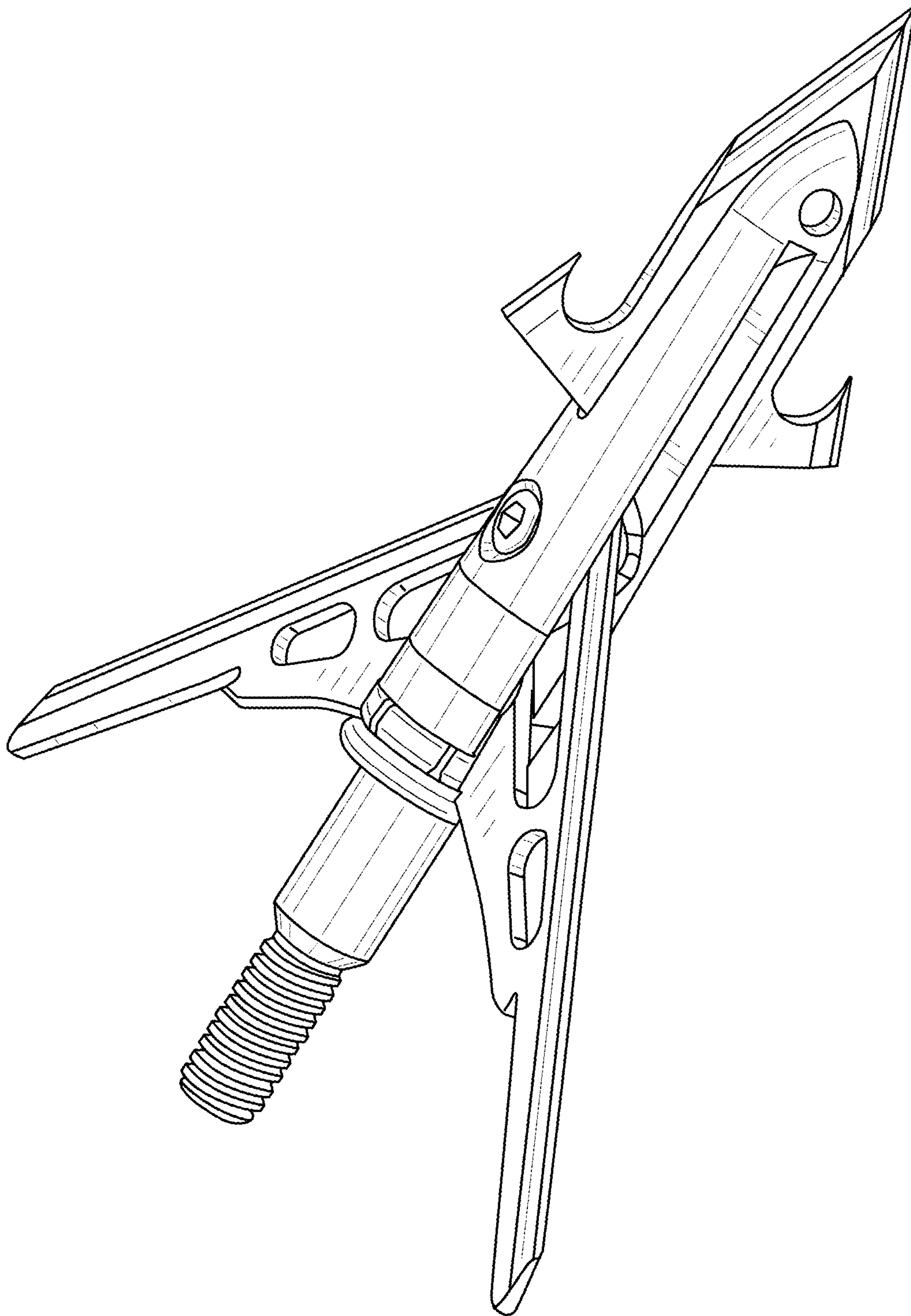


FIG. 17

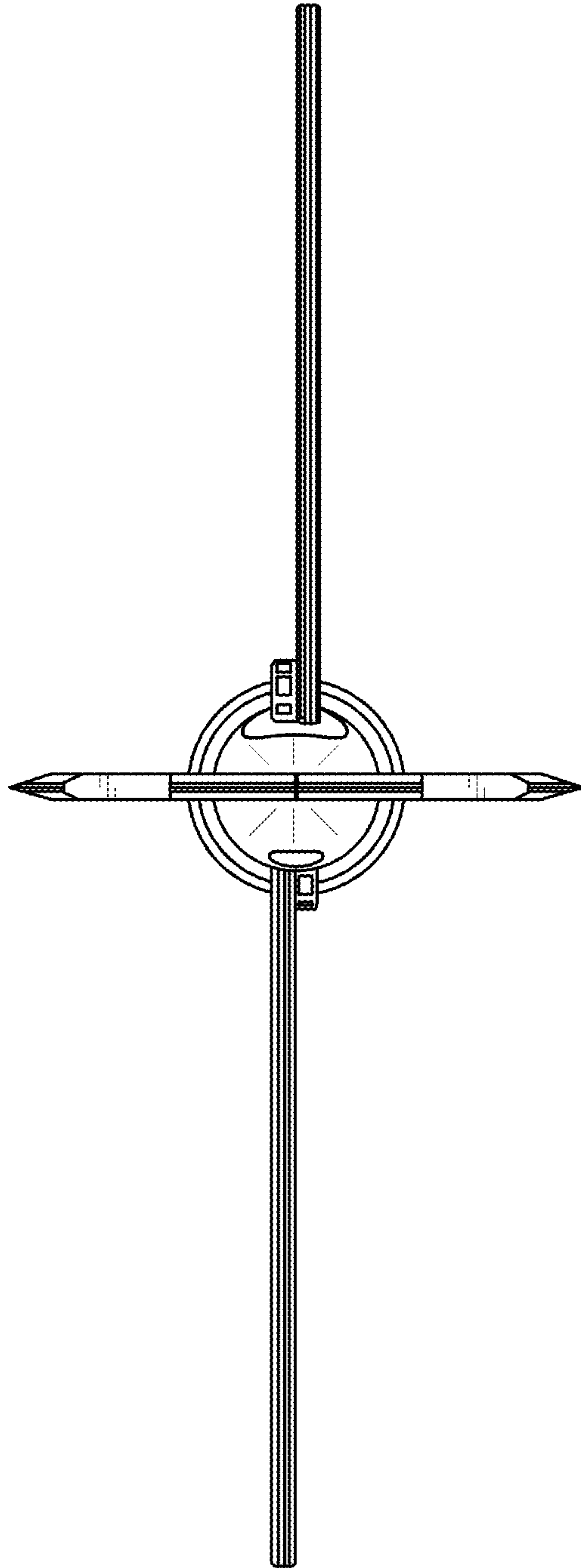


FIG. 18