



US00D774614S

(12) **United States Design Patent** (10) **Patent No.:** **US D774,614 S**
Shirley-Smith et al. (45) **Date of Patent:** **** Dec. 20, 2016**

(54) **TENT**
(71) Applicant: **TENTSILE LTD**, London (GB)
(72) Inventors: **Alex Shirley-Smith**, London (GB);
Kirk Kirchev, Ogden, UT (US)
(73) Assignee: **TENTSILE LTD**, London (GB)
(**) Term: **15 Years**
(21) Appl. No.: **29/554,186**
(22) Filed: **Feb. 9, 2016**
(51) **LOC (10) Cl.** **21-04**
(52) **U.S. Cl.**
USPC **D21/834**
(58) **Field of Classification Search**
USPC ... D21/834-839; 135/90, 95, 117, 124, 126,
135/127, 156; 5/121
CPC E04H 15/00; E04H 15/001; E04H 15/02;
E04H 15/04; E04H 15/32; E04H 15/36;
E04H 15/40; E04H 15/54; E04H 15/58
See application file for complete search history.

D721,153 S * 1/2015 Shirley-Smith D21/837
D750,721 S * 3/2016 Shirley-Smith D21/834
D768,797 S * 10/2016 Shirley-Smith D21/834

* cited by examiner

Primary Examiner — Cynthia M Chin

(74) *Attorney, Agent, or Firm* — Michael J. Feigin, Esq.;
Feigin & Fridman

(57) **CLAIM**

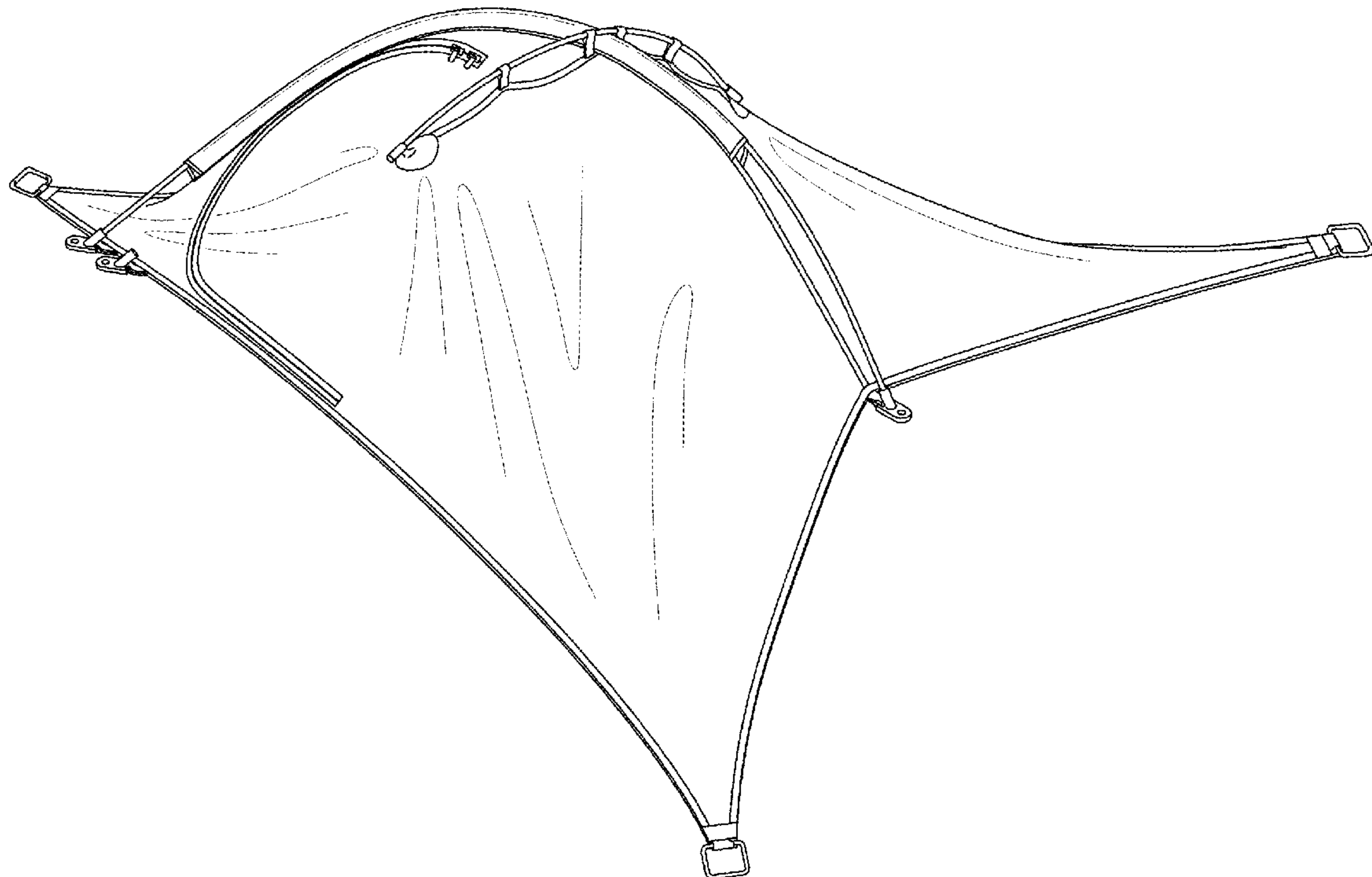
The ornamental design for a tent, as shown.

DESCRIPTION

FIG. 1 shows a top perspective view of a tent.
FIG. 2 shows a top plan view thereof.
FIG. 3 shows a bottom plan view thereof.
FIG. 4 shows a side elevation view thereof.
FIG. 5 shows a second side elevation view thereof.
FIG. 6 shows a rear elevation view thereof; and,
FIG. 7 shows a front elevation view thereof.

1 Claim, 6 Drawing Sheets

(56) **References Cited**
U.S. PATENT DOCUMENTS
4,320,542 A * 3/1982 Cohen E04H 15/04
5/121
D711,999 S * 8/2014 Shirley-Smith D21/837



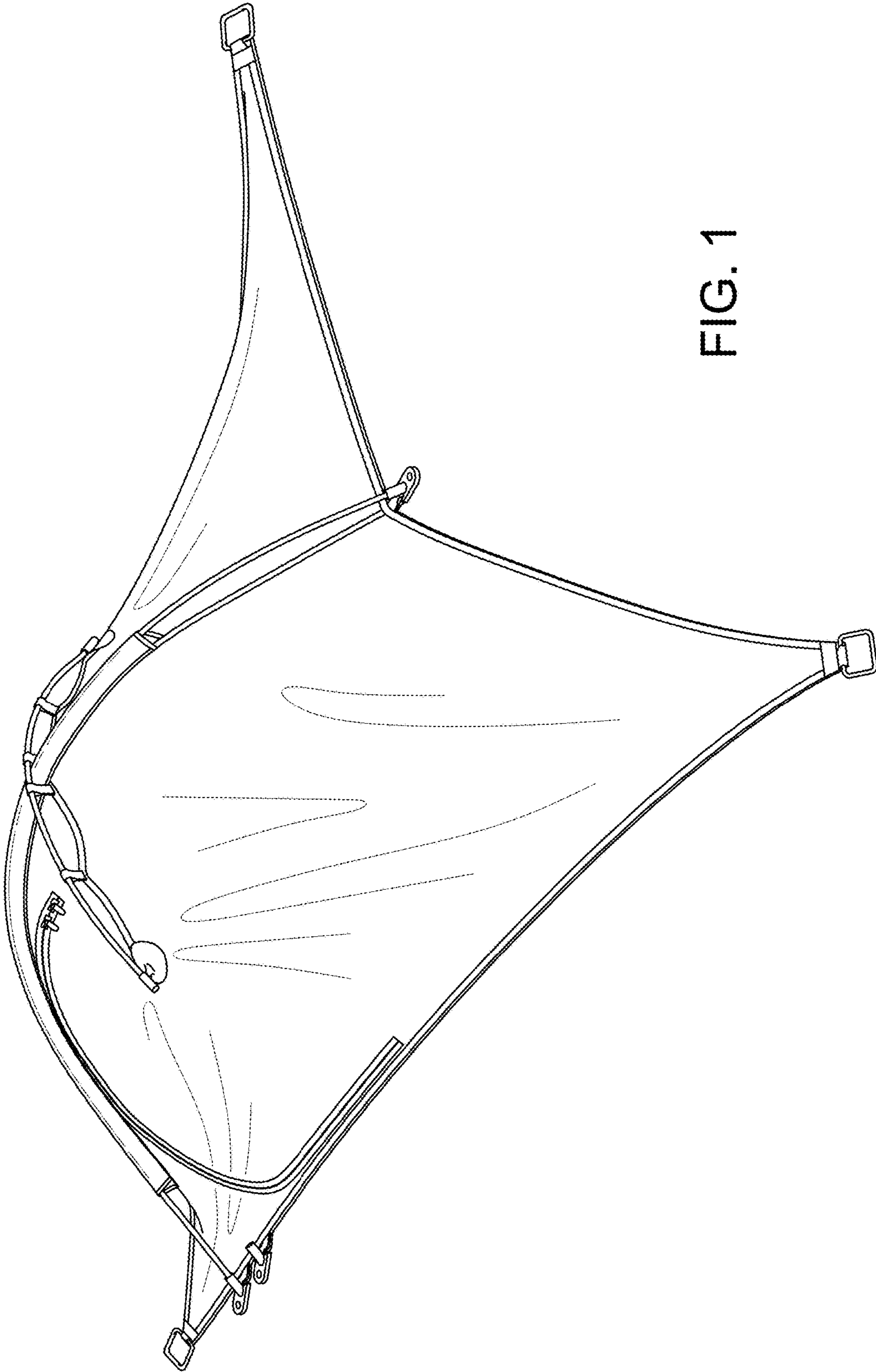


FIG. 1

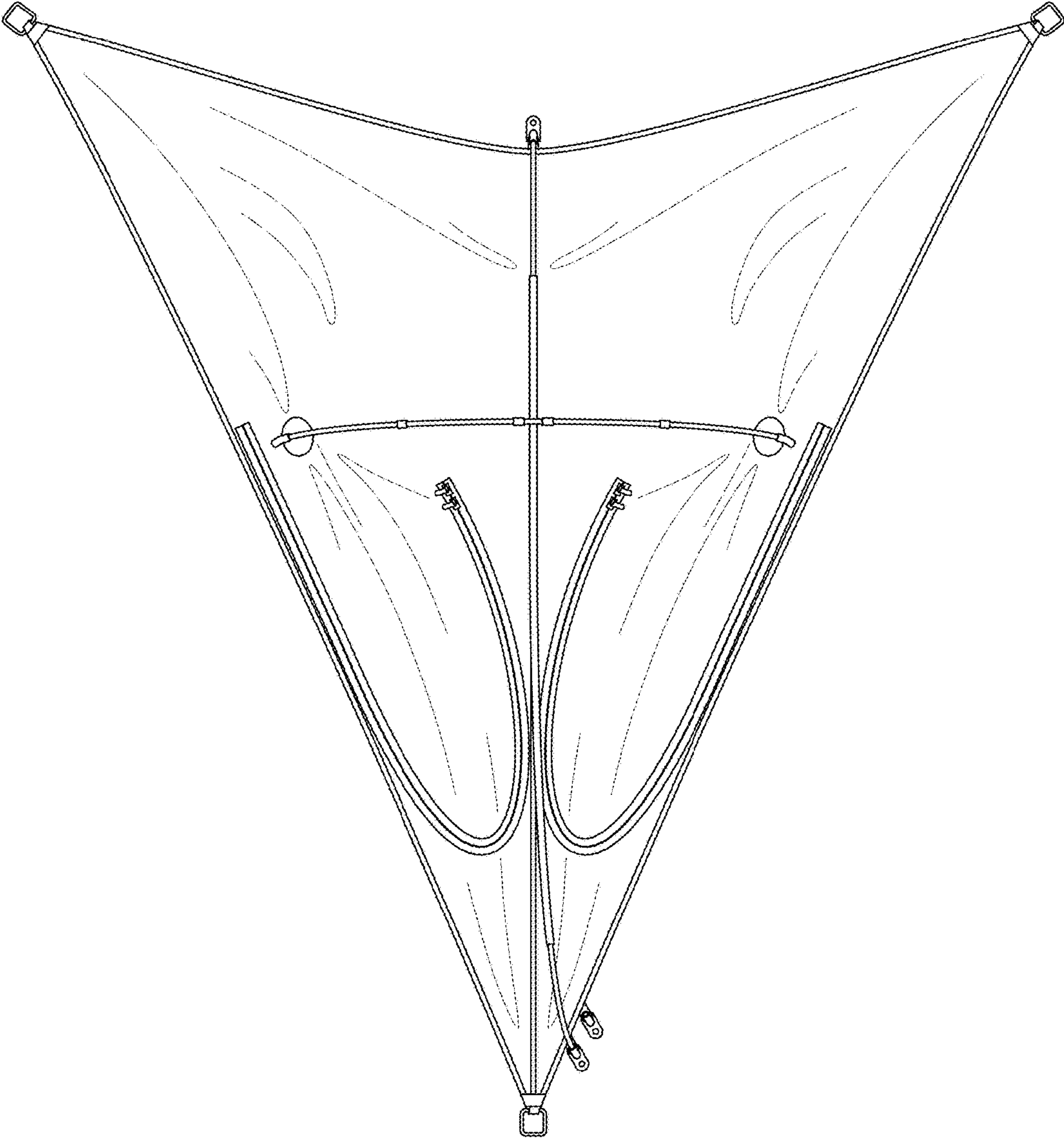


FIG. 2

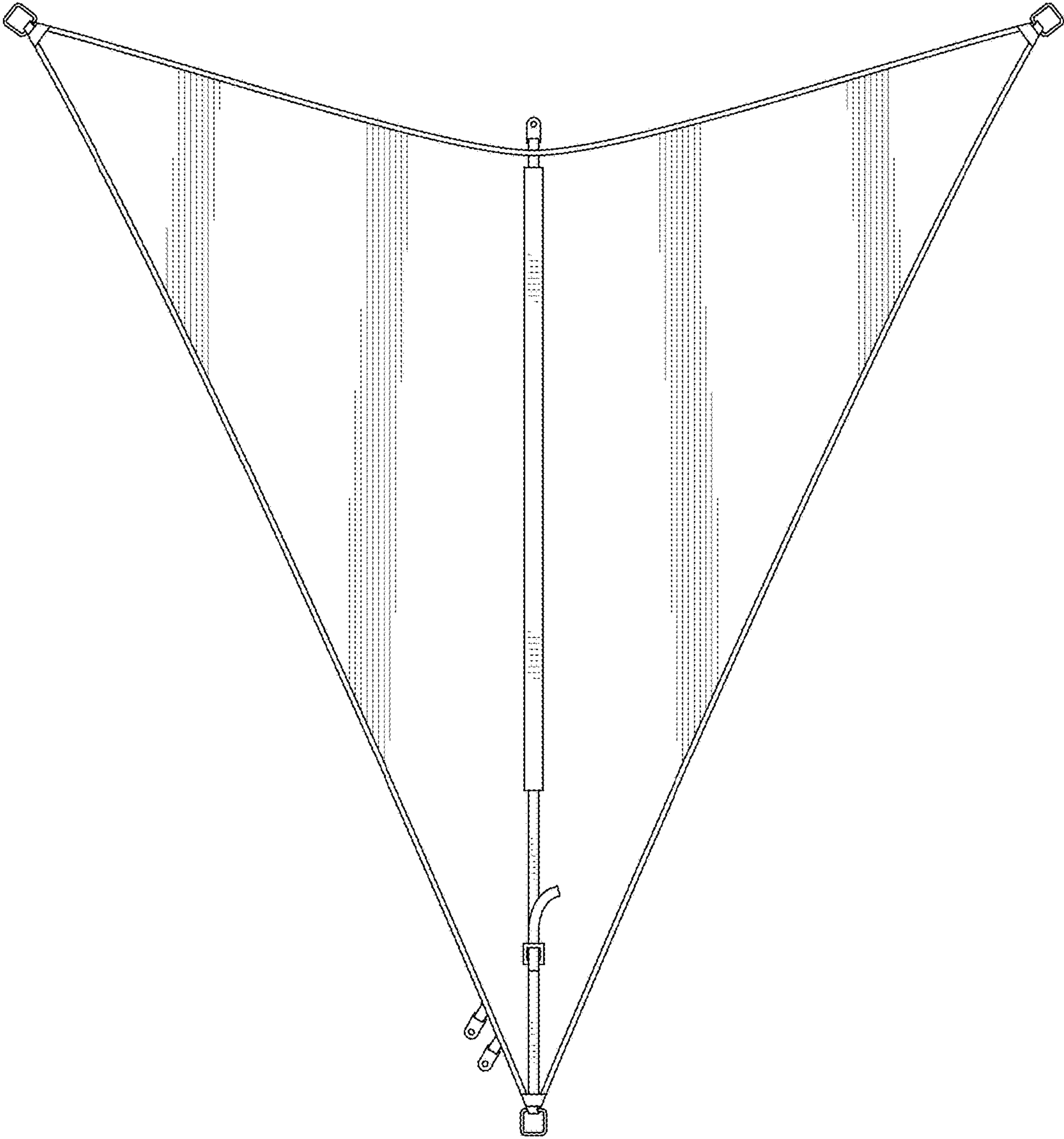


FIG. 3

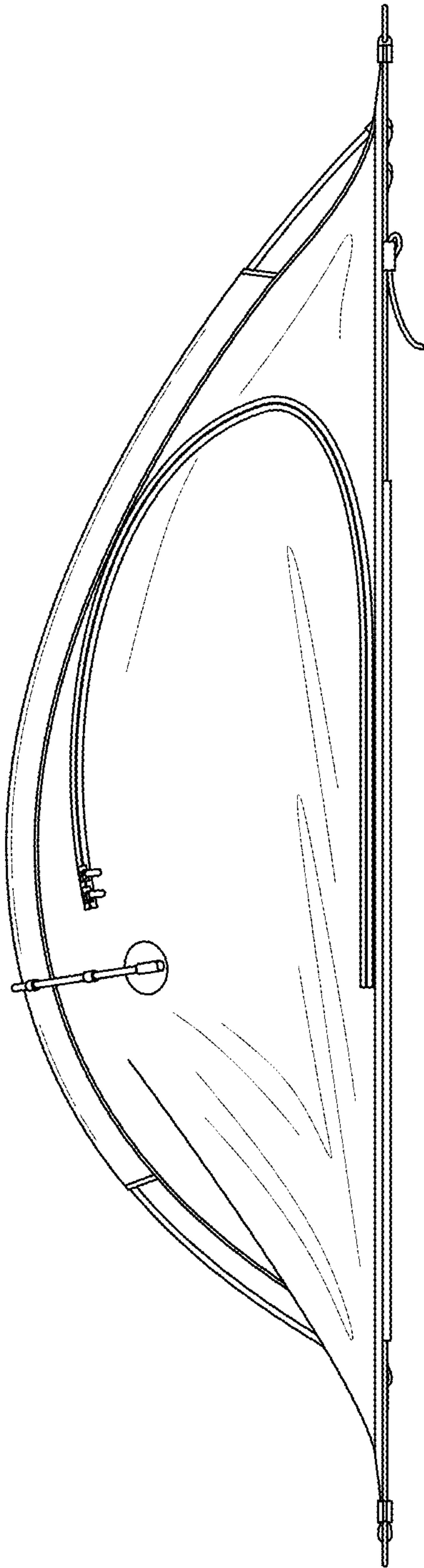


FIG. 4

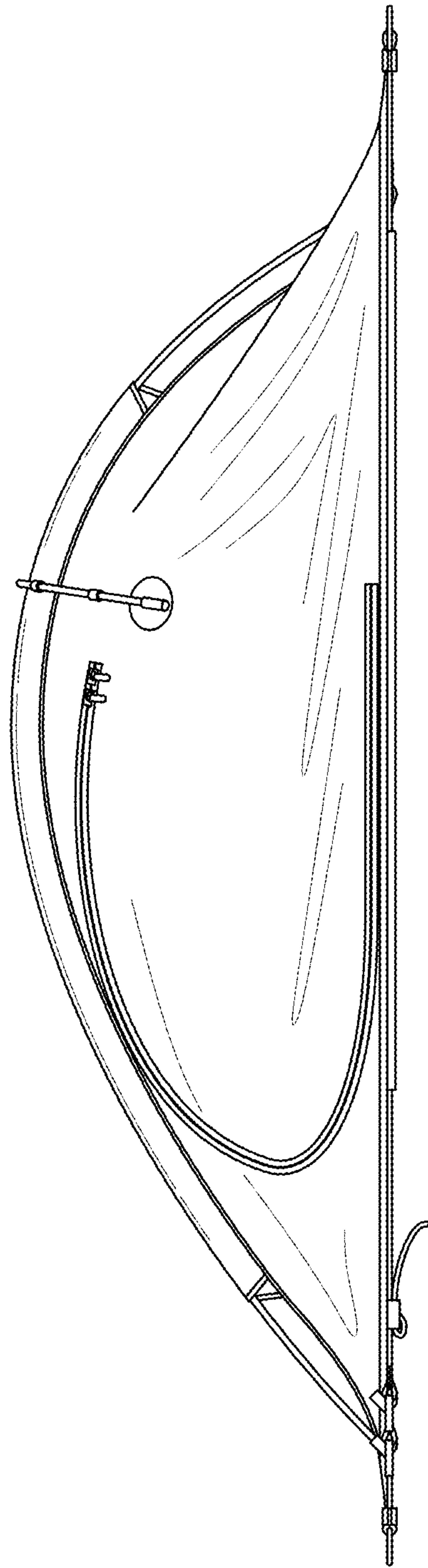


FIG. 5

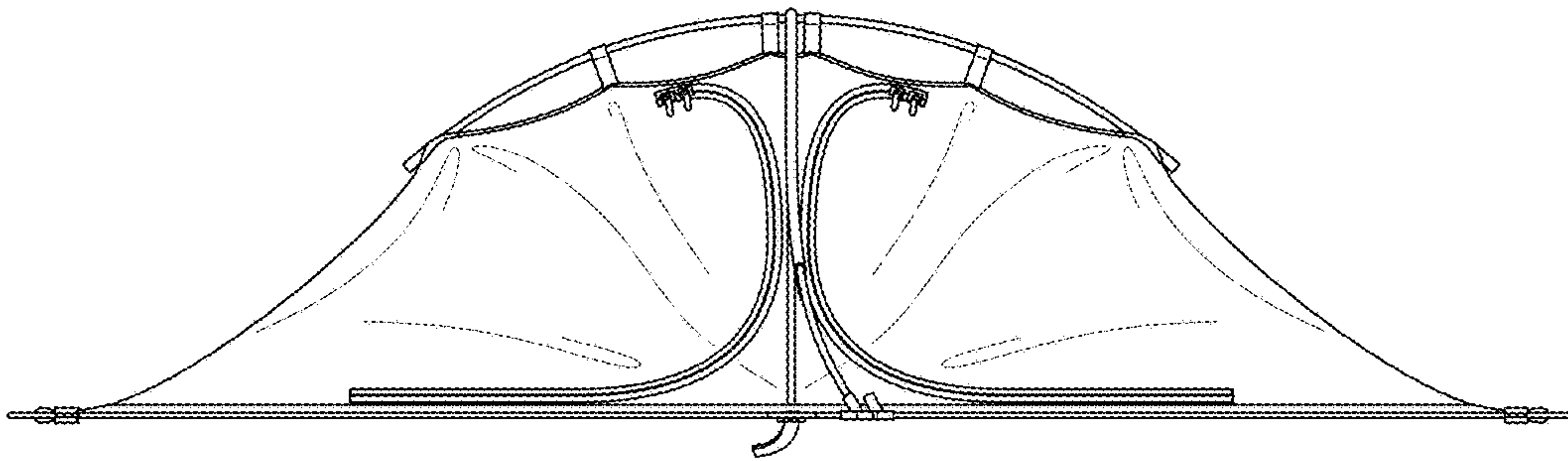


FIG. 6

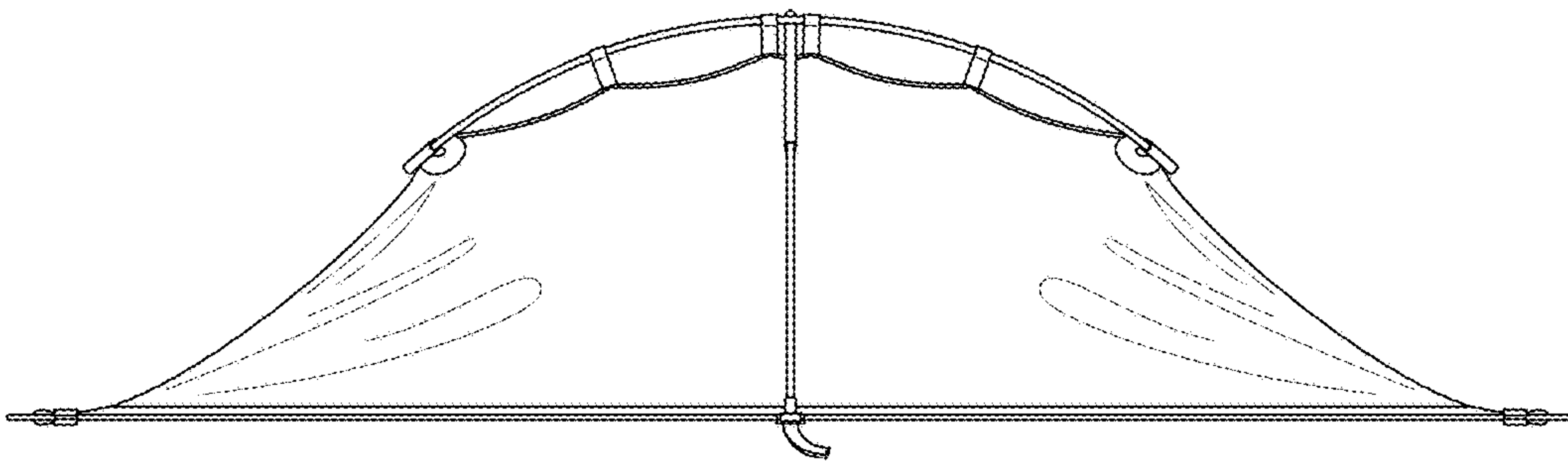


FIG. 7