



US00D774611S

(12) **United States Design Patent**
Nunn

(10) **Patent No.:** **US D774,611 S**

(45) **Date of Patent:** **** Dec. 20, 2016**

(54) **PUTTER GRIP**

(71) Applicant: **Robert Lewis Nunn**, Lake Forest, CA
(US)

(72) Inventor: **Robert Lewis Nunn**, Lake Forest, CA
(US)

(**) Term: **15 Years**

(21) Appl. No.: **29/528,010**

(22) Filed: **May 24, 2015**

(51) **LOC (10) Cl.** **21-02**

(52) **U.S. Cl.**
USPC **D21/756**

(58) **Field of Classification Search**
USPC D21/756-758
CPC A63B 53/14; A63B 60/06-60/34
See application file for complete search history.

(56) **References Cited**

U.S. PATENT DOCUMENTS

- 4,215,860 A * 8/1980 Nakamatsu A63B 53/14
473/201
- D355,011 S * 1/1995 Subnick D21/756

- 5,993,327 A * 11/1999 Terril A63B 53/14
473/297
- D515,649 S * 2/2006 Zichmanis D21/756
- D516,653 S * 3/2006 Gazeley D21/756
- D531,243 S * 10/2006 Davis D21/756
- D602,106 S * 10/2009 Stellander D21/756
- D602,546 S * 10/2009 Lin D21/756
- D717,894 S * 11/2014 Dingman D21/756
- D738,973 S * 9/2015 Dingman D21/756

* cited by examiner

Primary Examiner — Mitchell Siegel

(74) *Attorney, Agent, or Firm* — Keith Kind

(57) **CLAIM**

I claim the ornamental design for a putter grip, as shown and described.

DESCRIPTION

FIG. 1 is a bottom front perspective view for a putter grip showing my design;

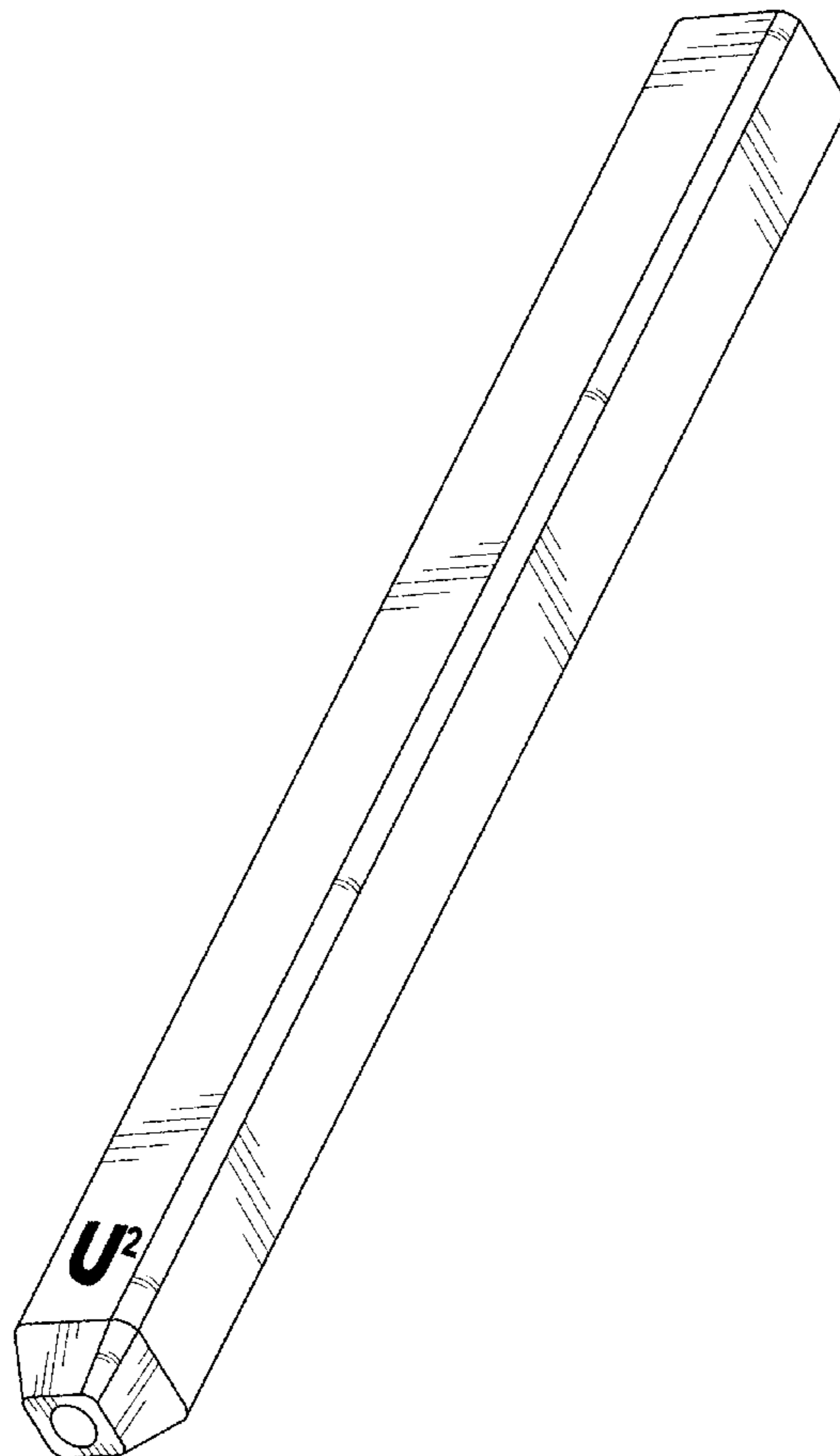
FIG. 2 is a top front perspective view thereof;

FIG. 3 is a front elevational view thereof;

FIG. 4 is a top plan view thereof; and,

FIG. 5 is a bottom plan view thereof.

1 Claim, 4 Drawing Sheets



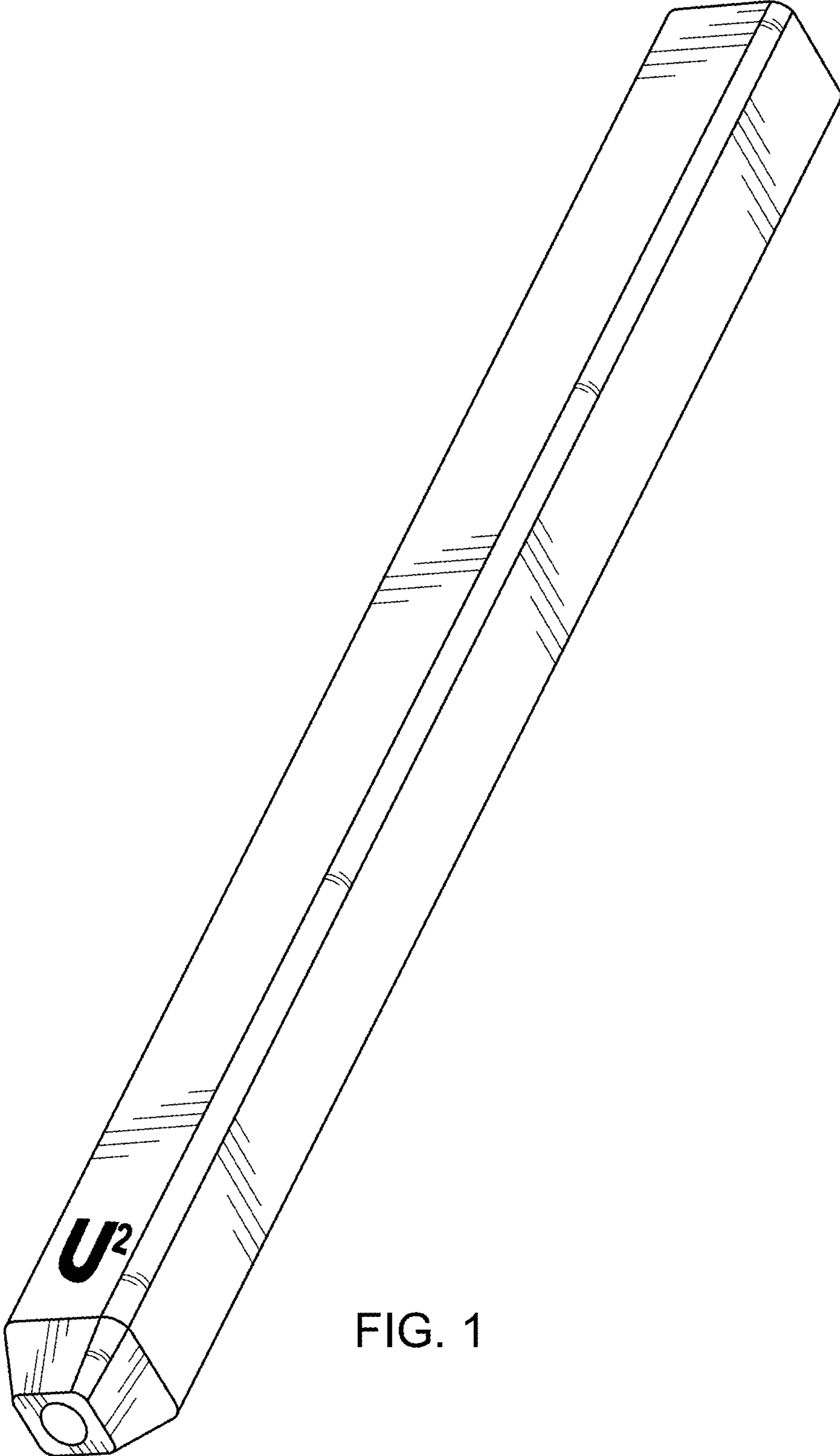


FIG. 1

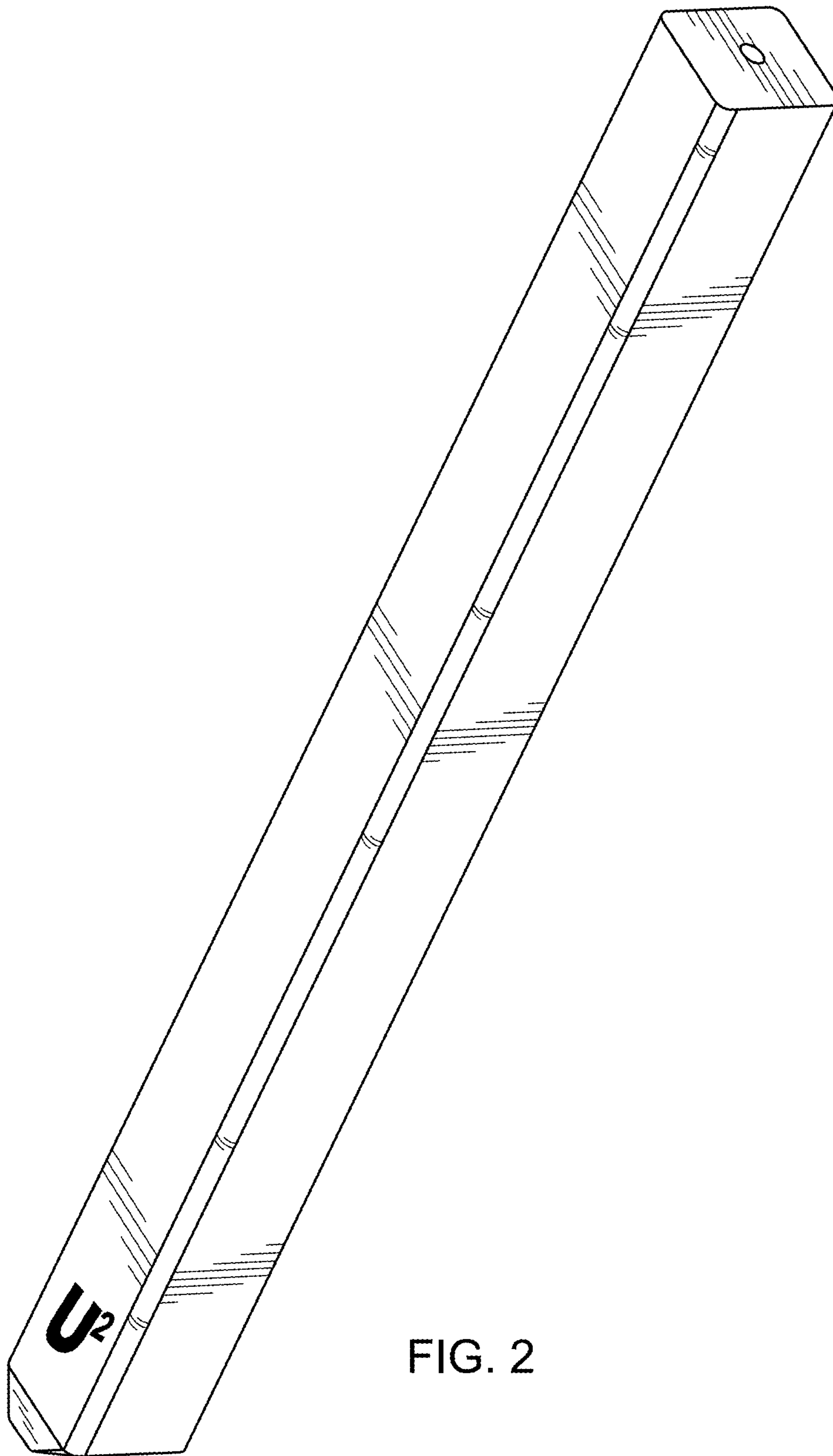


FIG. 2

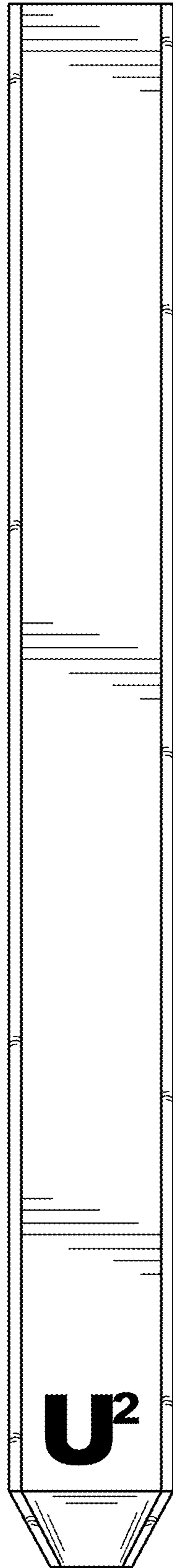


FIG. 3

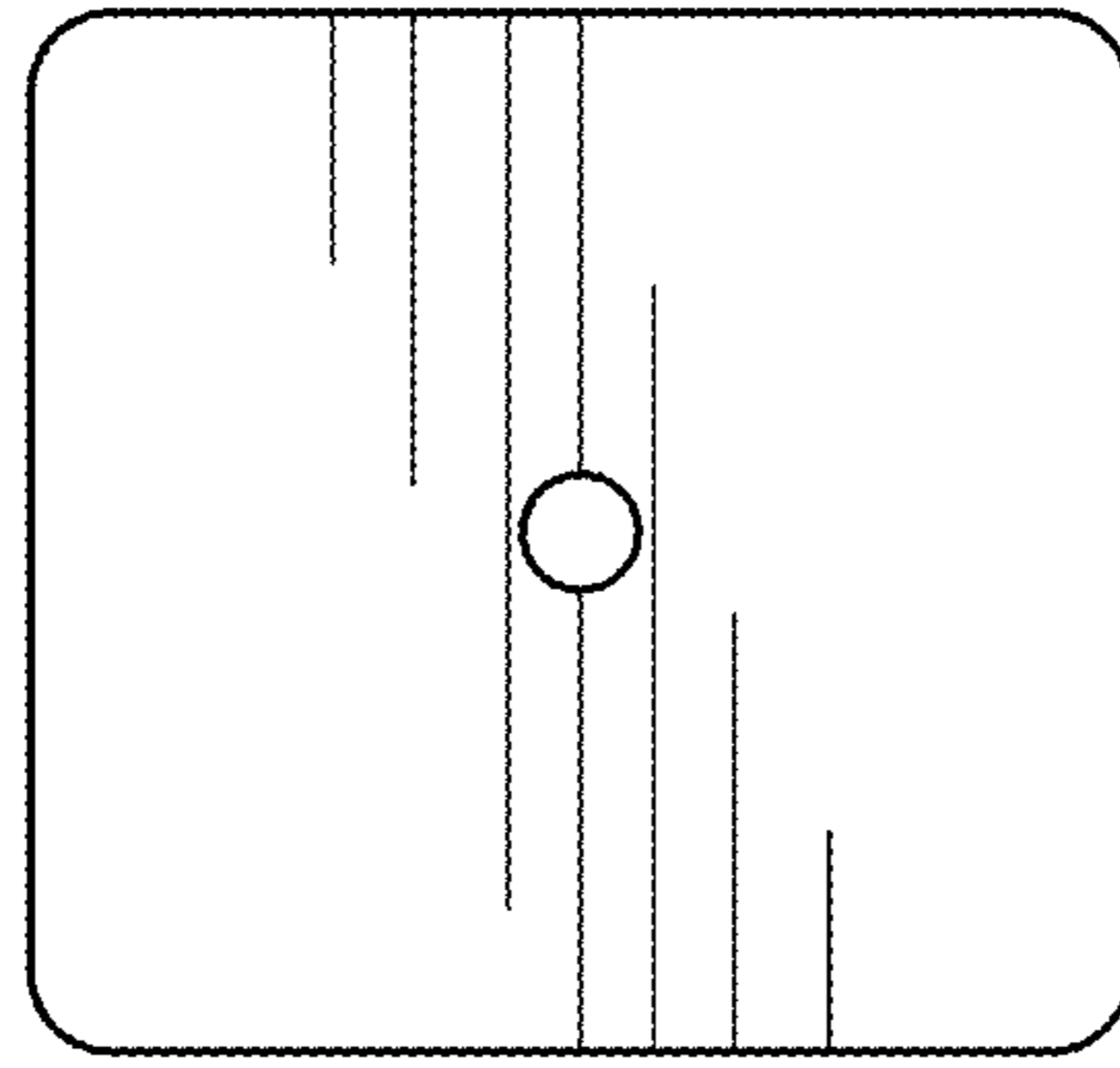


FIG. 4

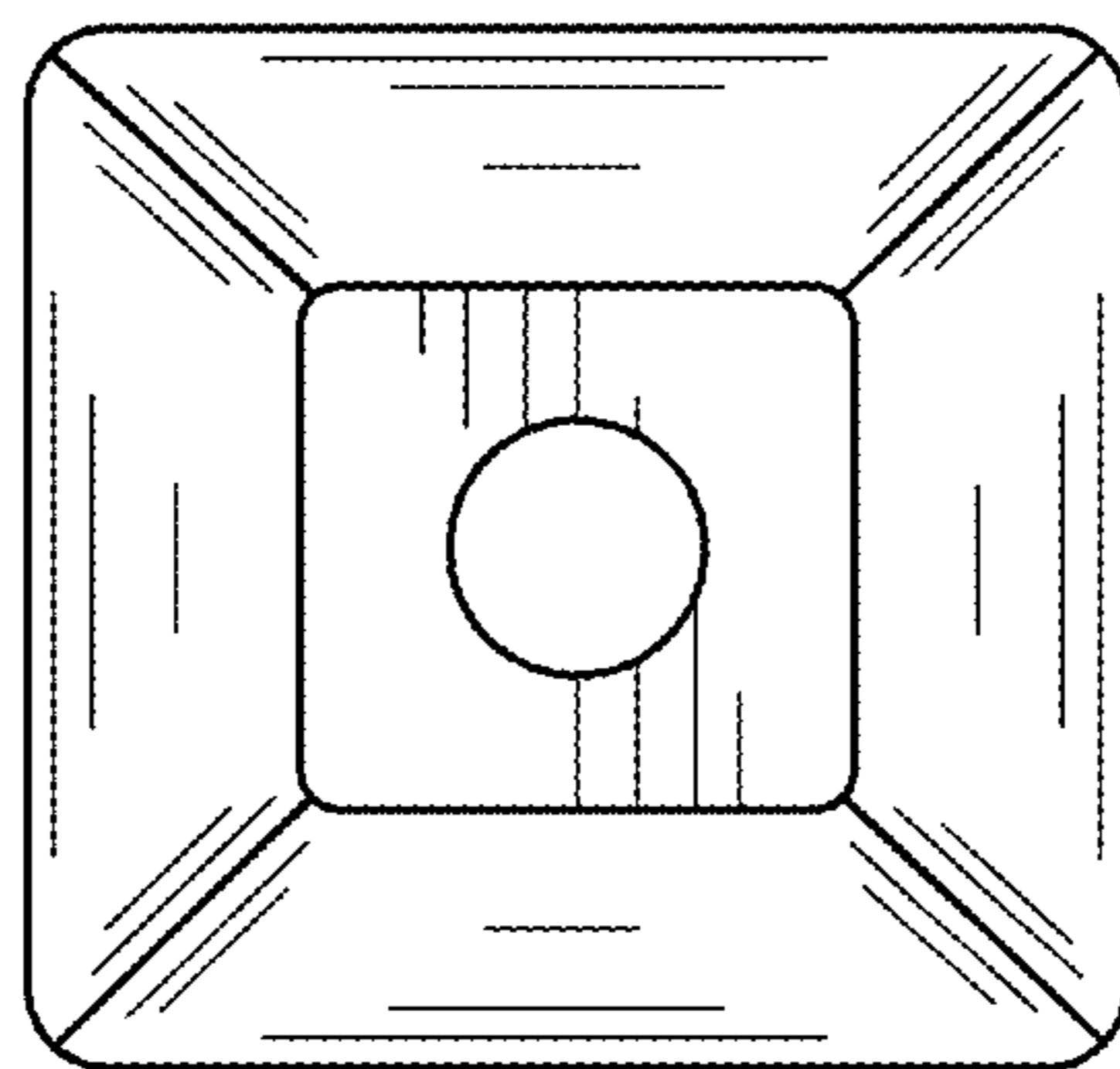


FIG. 5