



US00D774606S

(12) **United States Design Patent** (10) **Patent No.:** **US D774,606 S**
Carroll et al. (45) **Date of Patent:** **** Dec. 20, 2016**

(54) **GOLF TEE**
(71) Applicant: **Green Keepers, Inc.**, Philadelphia, PA (US)
(72) Inventors: **Francis Carroll**, Philadelphia, PA (US); **James Carroll, Jr.**, Richboro, PA (US)

4,309,376 A 1/1982 Ueno et al.
4,327,503 A 5/1982 Johnson
4,330,950 A 5/1982 Reddien
4,366,632 A 1/1983 Bente et al.
4,375,728 A 3/1983 Dassler et al.
4,392,312 A 7/1983 Crowley et al.

(Continued)

(73) Assignee: **Green Keepers, Inc.**, Philadelphia, PA (US)

FOREIGN PATENT DOCUMENTS

EP 1072291 A2 1/2001
GB 2098001 * 1/2001

(Continued)

(**) Term: **14 Years**

(21) Appl. No.: **29/448,584**

OTHER PUBLICATIONS

(22) Filed: **Mar. 13, 2013**

Advertisement for "Zero Friction Golf Tee," retrieved from www.zerofrictiontees.com on Aug. 28, 2008.

(51) **LOC (10) Cl.** **21-02**

(Continued)

(52) **U.S. Cl.**
USPC **D21/718**

(58) **Field of Classification Search**
USPC D21/715-721, 789, 791, 793-796;
473/386-403

See application file for complete search history.

Primary Examiner — Catherine Tuttle
(74) *Attorney, Agent, or Firm* — Blank Rome LLP;
Michael C. Greenbaum; Tara L Marcus

(56) **References Cited**

(57) **CLAIM**

The ornamental design for a golf tee, as shown and described.

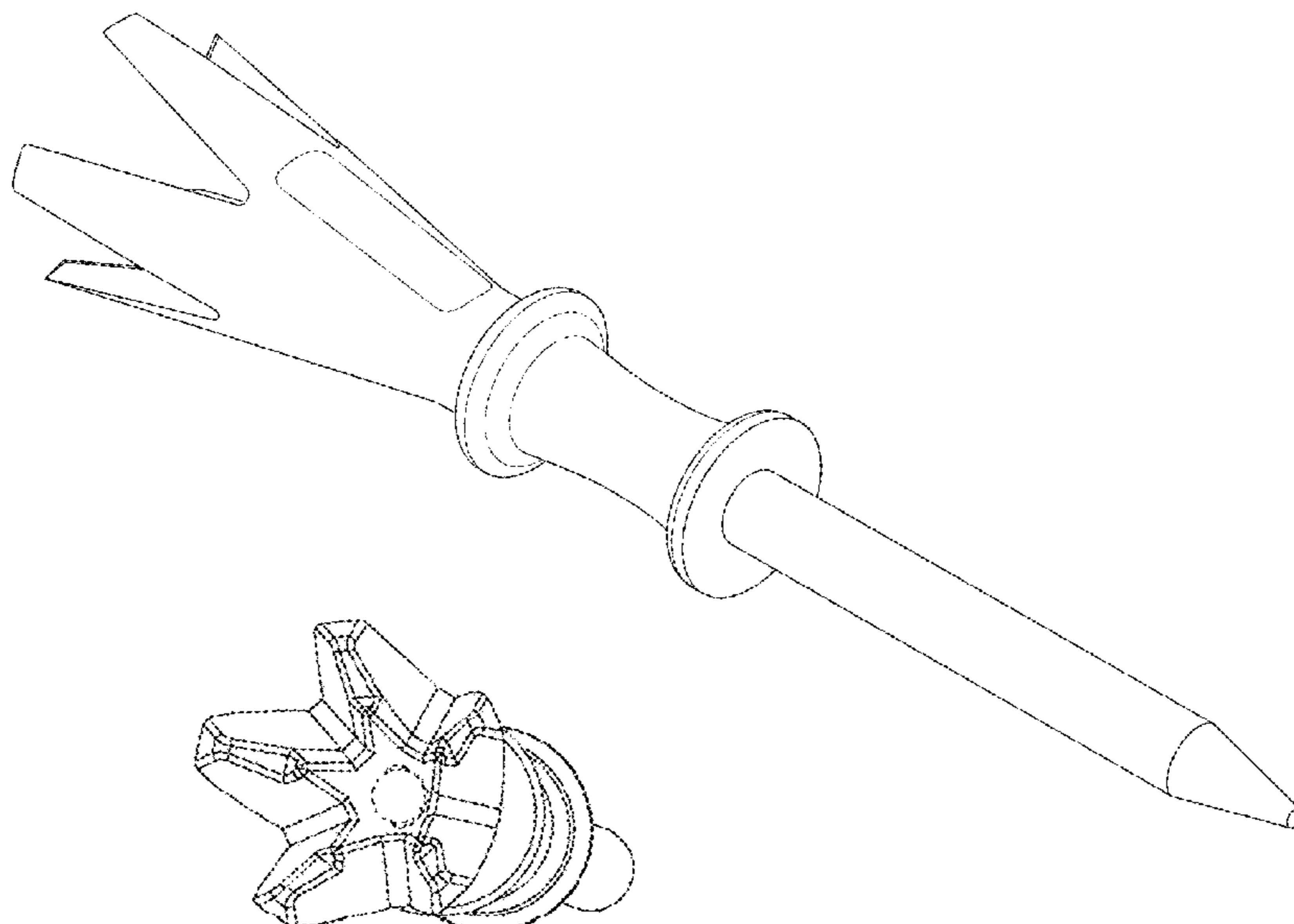
U.S. PATENT DOCUMENTS

638,920 A 12/1899 Grant
1,551,207 A 8/1925 Nial et al.
1,554,321 A 9/1925 Banigan
1,573,911 A 2/1926 Budrow
1,588,038 A 6/1926 Miller
1,679,579 A 8/1928 Lundy
D78,530 S 5/1929 McLeod
2,531,470 A 11/1950 Rickard
D200,543 S 3/1965 Thomte
3,414,268 A 12/1968 Chase
3,633,919 A 1/1972 Liccardello
3,645,537 A 2/1972 Parenteau
3,656,245 A 4/1972 Wilson
3,672,077 A 6/1972 Coles
3,818,617 A 6/1974 Dassler et al.

DESCRIPTION

FIG. 1 is a bottom perspective view of a golf tee showing our new design;
FIG. 2 is a side elevational view thereof; and,
FIG. 3 is a top perspective view thereof.
The broken lines in FIG. 3 are included for the purpose of illustrating a portion of the golf tee that forms no part of the claimed design. The appearance within the rectangular area shown in FIGS. 1 and 2 likewise forms no part of the claimed design.

1 Claim, 2 Drawing Sheets



(56)

References Cited

U.S. PATENT DOCUMENTS

4,527,345 A 7/1985 Lopez Lopez et al.
 4,837,949 A 6/1989 Dufour et al.
 4,885,851 A 12/1989 Peterson
 5,372,362 A 12/1994 Barker
 5,413,348 A 5/1995 Basso
 D369,845 S 5/1996 Knez
 5,581,913 A 12/1996 Kataoka et al.
 D432,606 S * 10/2000 Labbe D21/718
 6,849,008 B1 2/2005 Wang
 D516,146 S 2/2006 Iacono et al.
 7,011,586 B2 3/2006 Toyosawa et al.
 7,090,594 B2 8/2006 Kawashima et al.
 7,156,758 B2 1/2007 Lu
 D539,368 S * 3/2007 Choo D21/718
 D543,597 S 5/2007 Lee et al.
 D555,218 S * 11/2007 Lee et al. D21/718
 7,344,456 B2 3/2008 Hayton
 D566,802 S 4/2008 Carroll et al.
 7,416,498 B2 * 8/2008 Kihara 473/394
 7,704,166 B2 4/2010 Lim
 2002/0198066 A1 12/2002 Salsman
 2004/0166964 A1 8/2004 Toyosawa et al.
 2005/0003907 A1 1/2005 Ijiri
 2005/0130769 A1 6/2005 Olsen
 2005/0187041 A1 8/2005 Kawashima et al.
 2006/0276269 A1 12/2006 Kihara
 2007/0149324 A1 6/2007 Tsai
 2007/0298910 A1 12/2007 Potempa et al.
 2008/0182684 A1 * 7/2008 Carroll et al. 473/398
 2011/0081993 A1 * 4/2011 Phua 473/396

FOREIGN PATENT DOCUMENTS

JP 04189374 A 7/1992
 JP D1183388 * 9/2003
 JP D1189064 * 11/2003
 JP D1224561 * 12/2004
 JP 2005021611 A 1/2005
 JP D1249057 * 8/2005
 JP D1249058 * 8/2005
 JP 2005296330 A * 10/2005 A63B 57/00
 JP 2006341016 A 12/2006
 JP D1287430 * 12/2006
 JP D1288876 * 12/2006
 JP 2007130339 A * 5/2007
 JP D1346355 * 12/2008
 JP 2012120743 A * 6/2012
 KR 20010099365 A 11/2001
 WO 2005/032668 A1 4/2005
 WO WO 2007132960 A1 * 11/2007 A63B 57/00

OTHER PUBLICATIONS

Microfilmed Text of Japanese Utility Model Application No. SHO 47-117361 (Japanese Utility Model Public Disclosure No. SHO 49-73560).
 Microfilmed Text of Utility Model Application No. HEI 2-59955 (Japanese Utility Model Public Disclosure No. HEI 4-18553).
 Japanese Patent Public Disclosure No. 2005-296330.
 Microfilmed Text of Utility Model Application No. SHO 48-73686 (Japanese Utility Model Public Disclosure No. SHO 50-20773).

* cited by examiner

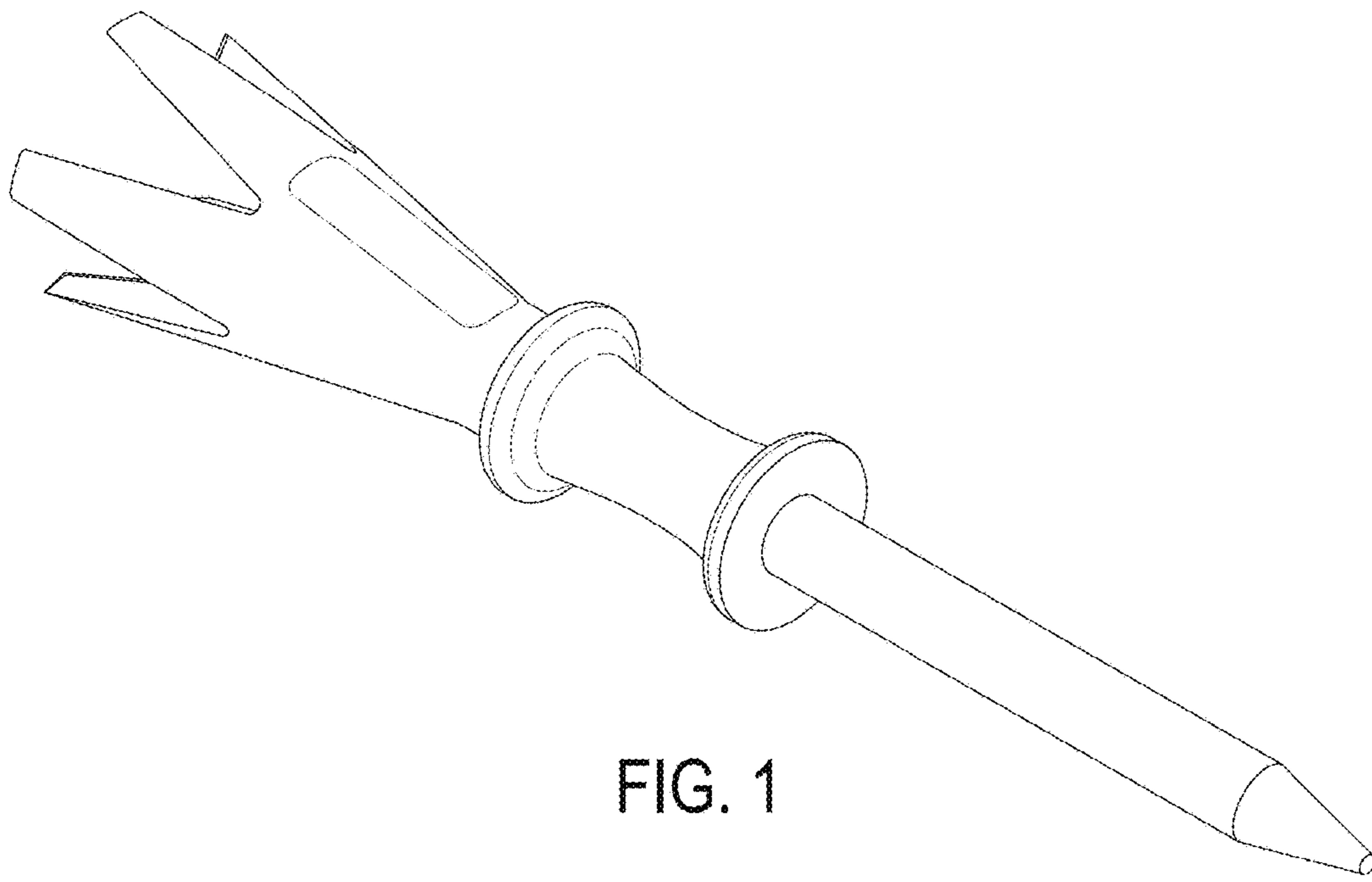


FIG. 1

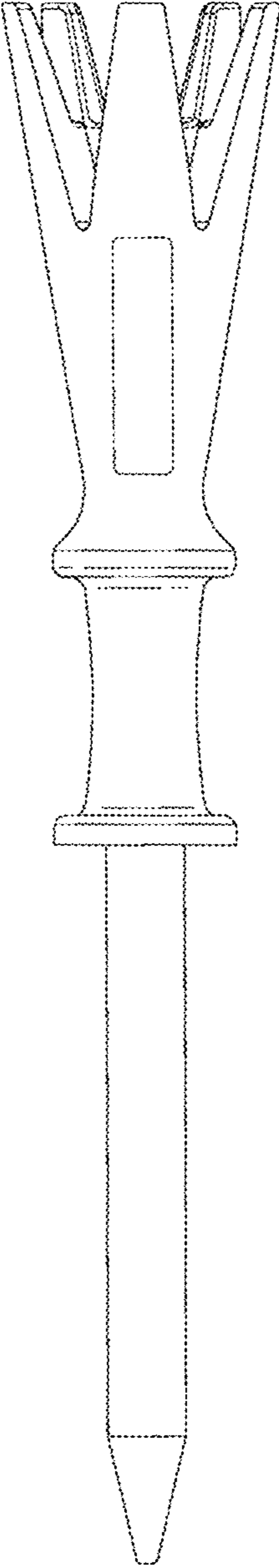


FIG. 2

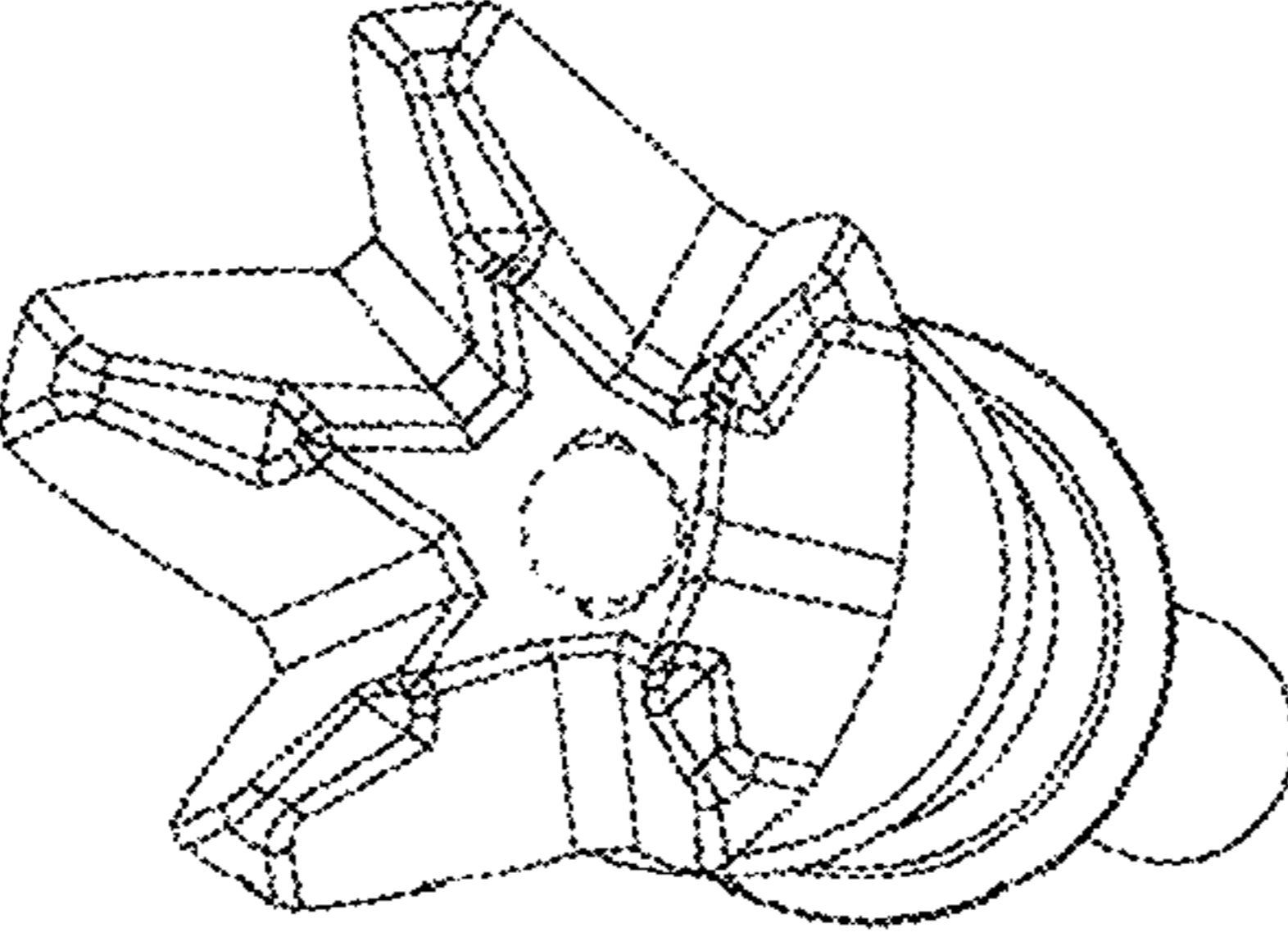


FIG. 3