



US00D774605S

(12) **United States Design Patent** (10) **Patent No.:** **US D774,605 S**  
**Summers** (45) **Date of Patent:** **\*\* Dec. 20, 2016**

(54) **FOOT WEIGHT FOR SIT-UPS**

(71) Applicant: **Suzanna Rhoda Summers**, Waco, TX (US)

(72) Inventor: **Suzanna Rhoda Summers**, Waco, TX (US)

(\*\*) Term: **15 Years**

(21) Appl. No.: **29/527,338**

(22) Filed: **May 18, 2015**

(51) **LOC (10) Cl.** ..... **21-02**

(52) **U.S. Cl.**  
USPC ..... **D21/680**

(58) **Field of Classification Search**

USPC ..... D21/664, 673, 688, 662, 699, 705, 668, D21/769, 690, 788, 698, 534, 669, 302, D21/691, 681, 682, 800, 694, 686, 702, D21/676; 482/122, 142, 123, 129, 128, 482/93, 106, 74, 121, 130, 71, 72, 95, 96, 482/68, 66, 41, 141, 100, 115, 49, 146, 482/147, 42, 51, 35, 38, 23, 904, 91, 28, 482/140, 907, 86, 83, 87, 90, 131, 902, 482/61, 65, 17, 52, 62, 107, 108, 54, 105, 482/133, 148, 92, 138; 473/432, 445, 441, 473/197, 434, 438, 454, 478, 447, 422, 473/476; D12/317, 9, 6, 8, 130, 115; 273/400, 407, /396

(Continued)

(56) **References Cited**

**U.S. PATENT DOCUMENTS**

4,351,525 A \* 9/1982 Rozenblad ..... A63B 23/12 482/141  
4,627,618 A \* 12/1986 Schwartz ..... A63B 21/072 482/105

(Continued)

**FOREIGN PATENT DOCUMENTS**

JP H05137815 6/1993

**OTHER PUBLICATIONS**

ProCircle, ProCircle Push Up and Sit Up Bar for Promotion, Publication Date: Unknown, Accessed Online: Oct. 9, 2014, Online: Alibaba.com.

(Continued)

*Primary Examiner* — Robert M Spear

*Assistant Examiner* — Ryan Harvey

(74) *Attorney, Agent, or Firm* — Gagnon, Peacock & Vereeke P.C.; Aaron P. Peacock

(57) **CLAIM**

The ornamental design for a foot weight for sit-ups, as shown and described.

**DESCRIPTION**

FIG. 1 is a perspective view of a foot weight for sit-ups shown without the attachment of additional weights, depicting an embodiment of the present invention;

FIG. 2 is the front view of the foot weight for sit-ups of FIG. 1;

FIG. 3 is the rear view of the foot weight for sit-ups of FIG. 1;

FIG. 4 is the left side view of the foot weight for sit-ups of FIG. 1;

FIG. 5 is the right side view of the foot weight for sit-ups of FIG. 1;

FIG. 6 is the top view of the foot weight for sit-ups of FIG. 1;

FIG. 7 is the bottom view of the foot weight for sit-ups of FIG. 1;

FIG. 8 is a perspective view of a foot weight for sit-ups shown with the attachment of additional weights, depicting an embodiment of the present invention;

FIG. 9 is the front view of the foot weight for sit-ups of FIG. 8;

FIG. 10 is the rear view of the foot weight for sit-ups of FIG. 8;

FIG. 11 is the left side view of the foot weight for sit-ups of FIG. 8;

FIG. 12 is the right side view of the foot weight for sit-ups of FIG. 8;

(Continued)

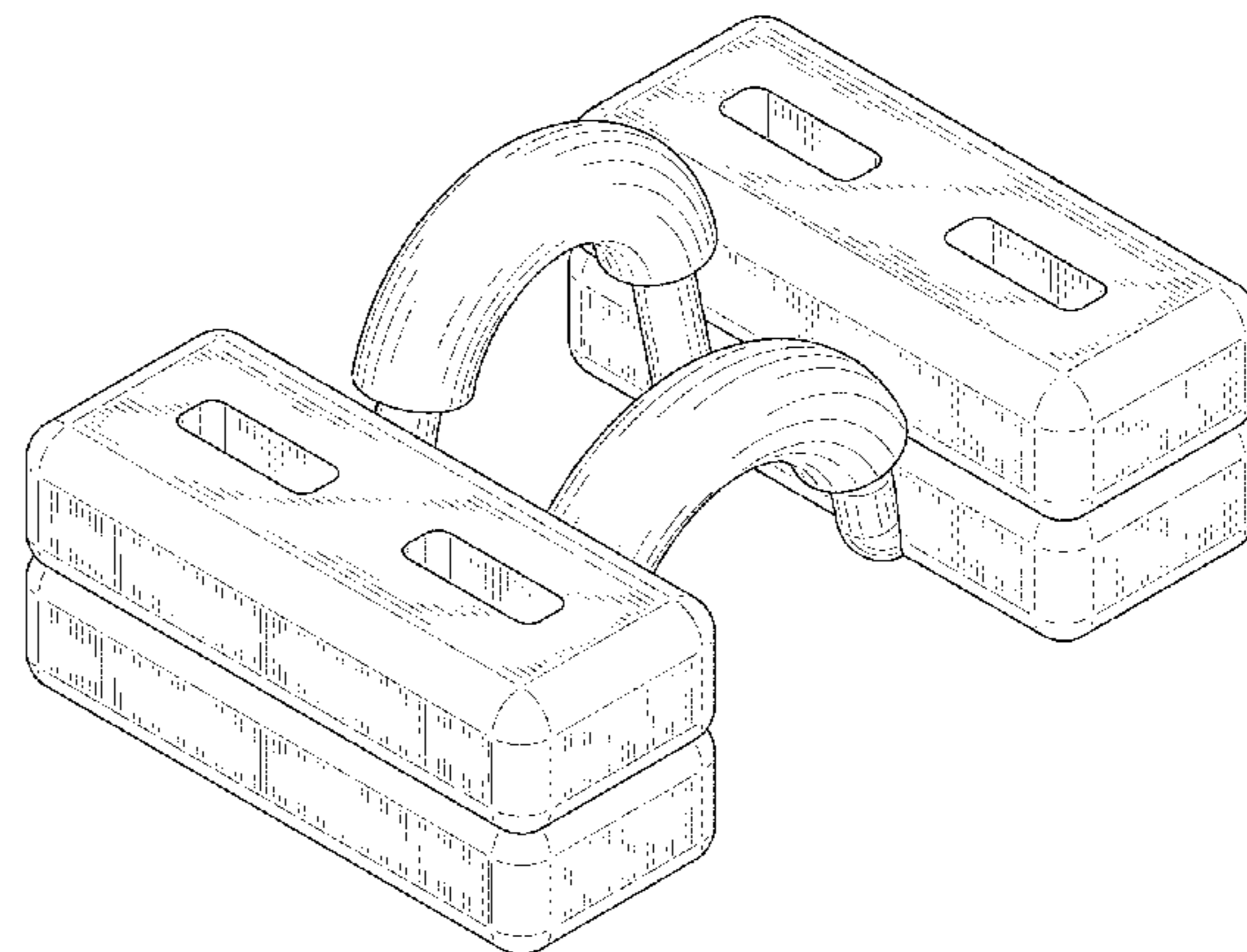
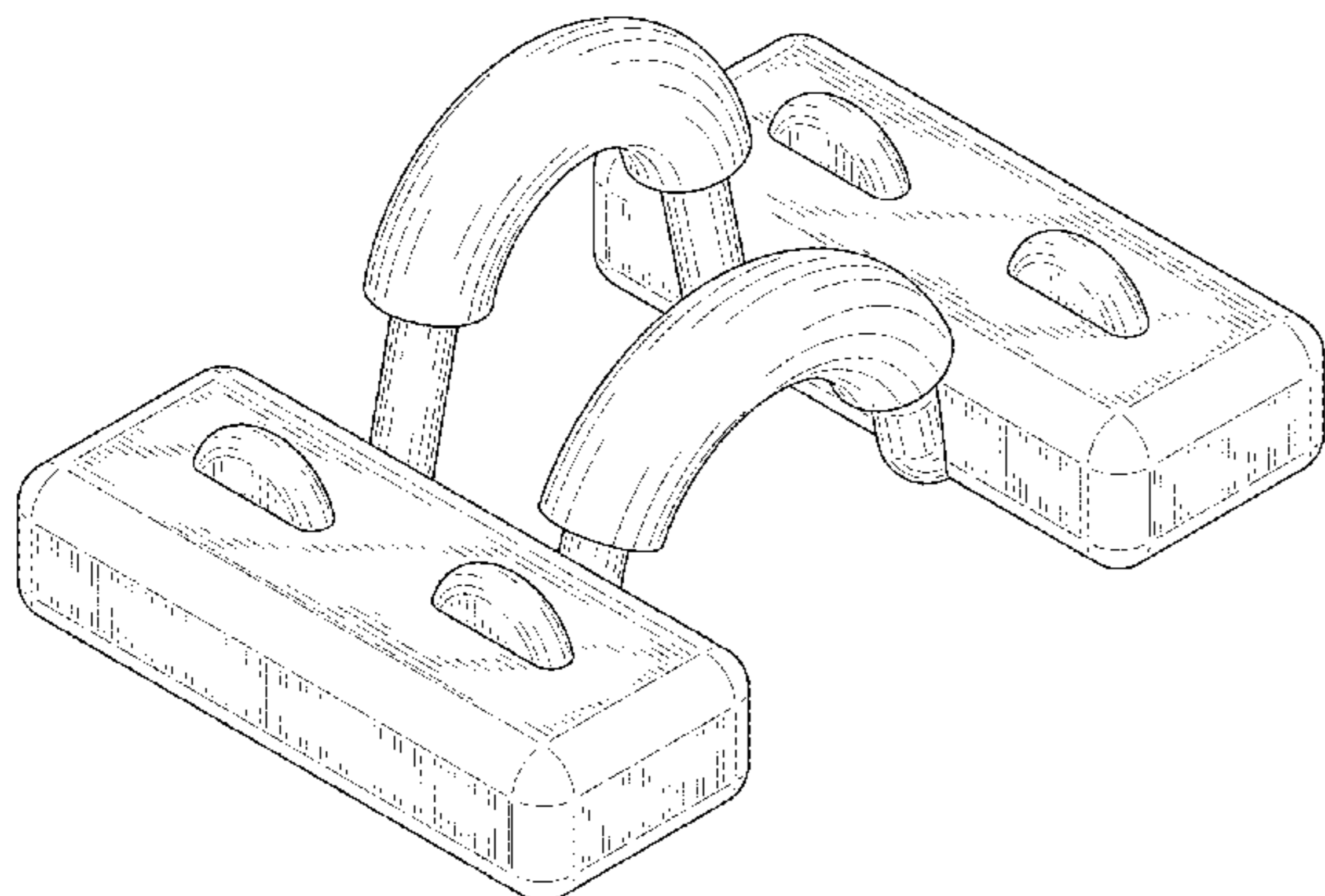


FIG. 13 is the top view of the foot weight for sit-ups of FIG. 8; and, FIG. 14 is the bottom view of the foot weight for sit-ups of FIG. 8.

**1 Claim, 10 Drawing Sheets**

(58) **Field of Classification Search**

CPC ..... A63B 23/0211; A63B 2210/50; A63B 63/004; A63B 21/4047; A63B 2208/0233; A63B 21/068; F41J 1/10; Y10S 482/907  
See application file for complete search history.

(56) **References Cited**

U.S. PATENT DOCUMENTS

5,033,740 A \* 7/1991 Schwartz ..... A63B 21/0722  
482/105  
5,171,199 A \* 12/1992 Panagos ..... A63B 21/072  
482/106  
D384,713 S \* 10/1997 Eckmann ..... D21/682  
6,224,517 B1 \* 5/2001 Dereszynski ..... A63B 21/0602  
482/105  
D449,863 S \* 10/2001 Kinde ..... D21/681  
6,436,016 B1 \* 8/2002 Valentino ..... A63B 21/075  
482/104  
6,500,101 B1 \* 12/2002 Chen ..... A63B 21/072  
482/107  
D479,289 S \* 9/2003 Turner ..... D21/662

7,156,791 B2 \* 1/2007 Edwards ..... A63B 21/0004  
446/120  
D553,697 S \* 10/2007 Hallar ..... D21/682  
8,088,052 B1 \* 1/2012 Sprague ..... A63B 21/0004  
482/131  
D675,686 S \* 2/2013 Maki ..... D21/662  
D703,773 S \* 4/2014 Henry ..... D21/691  
2002/0169057 A1 \* 11/2002 Forcillo ..... A63B 21/00181  
482/142  
2005/0101461 A1 \* 5/2005 Johnson ..... A63B 21/0004  
482/141  
2010/0210430 A1 \* 8/2010 Mulderrig ..... A63B 21/4017  
482/141  
2012/0115693 A1 \* 5/2012 Franques  
Garcia ..... A63B 23/0211  
482/140  
2013/0031802 A1 \* 2/2013 Park ..... A43B 3/0036  
36/84  
2013/0040790 A1 \* 2/2013 Morris ..... A63B 71/0036  
482/108  
2014/0005013 A1 \* 1/2014 Kassemi ..... A63B 21/0726  
482/108

OTHER PUBLICATIONS

Zhen Sheng, Push Up and Sit Up Bars, Publication Date: Unknown, Accessed Online: Oct. 8, 2014, Online: Alibaba.com.  
Kontar, 2-in-1 Push-Up & Sit-Up Handle Bars, Publication Date: Oct. 14, 2010, Online: TinyDeal.com.  
J/fit, J/fit Pro Push-Up Bars, Publication Date: Unknown, Accessed Online: Oct. 6, 2014, Online: Amazon.com.

\* cited by examiner

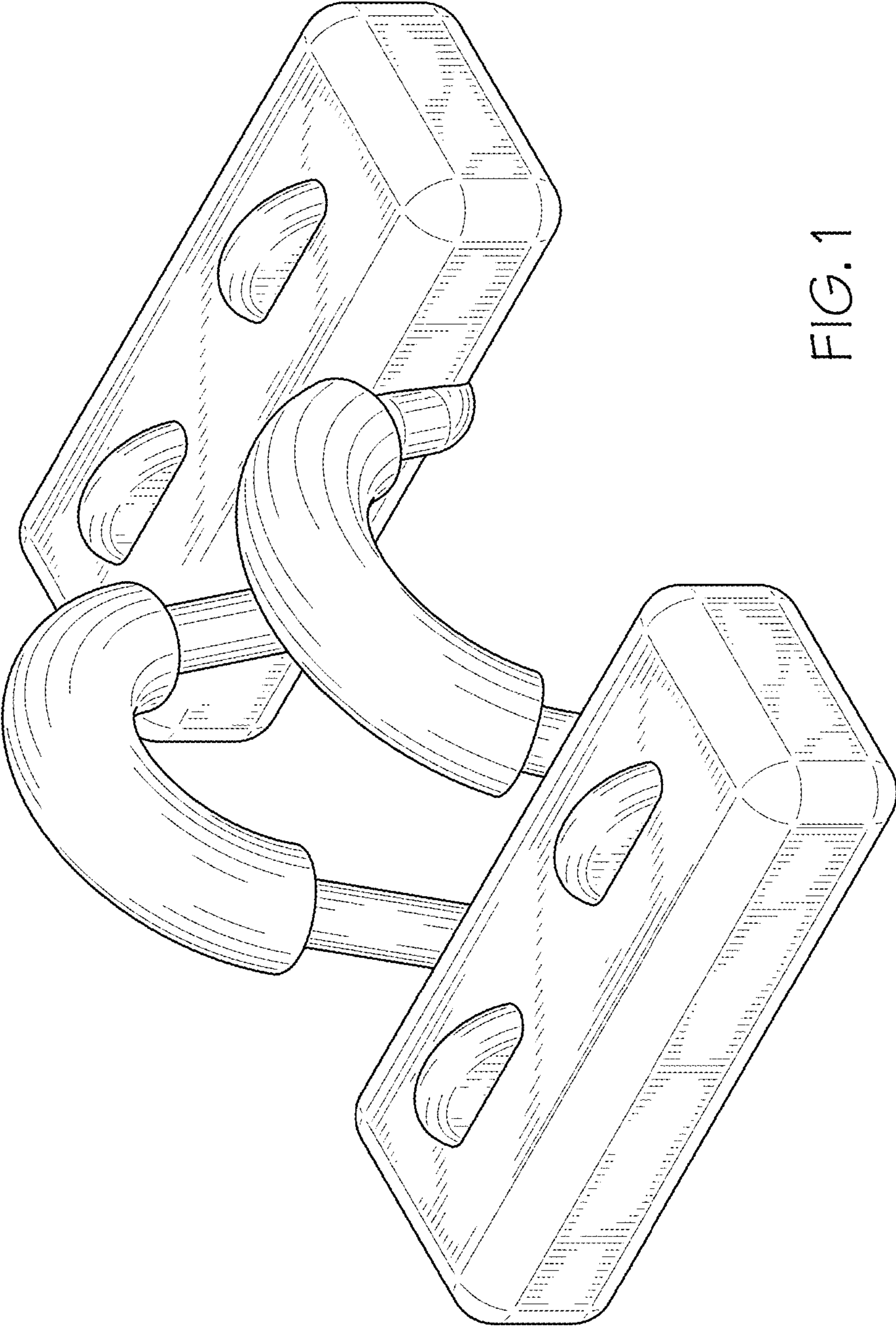


FIG. 1

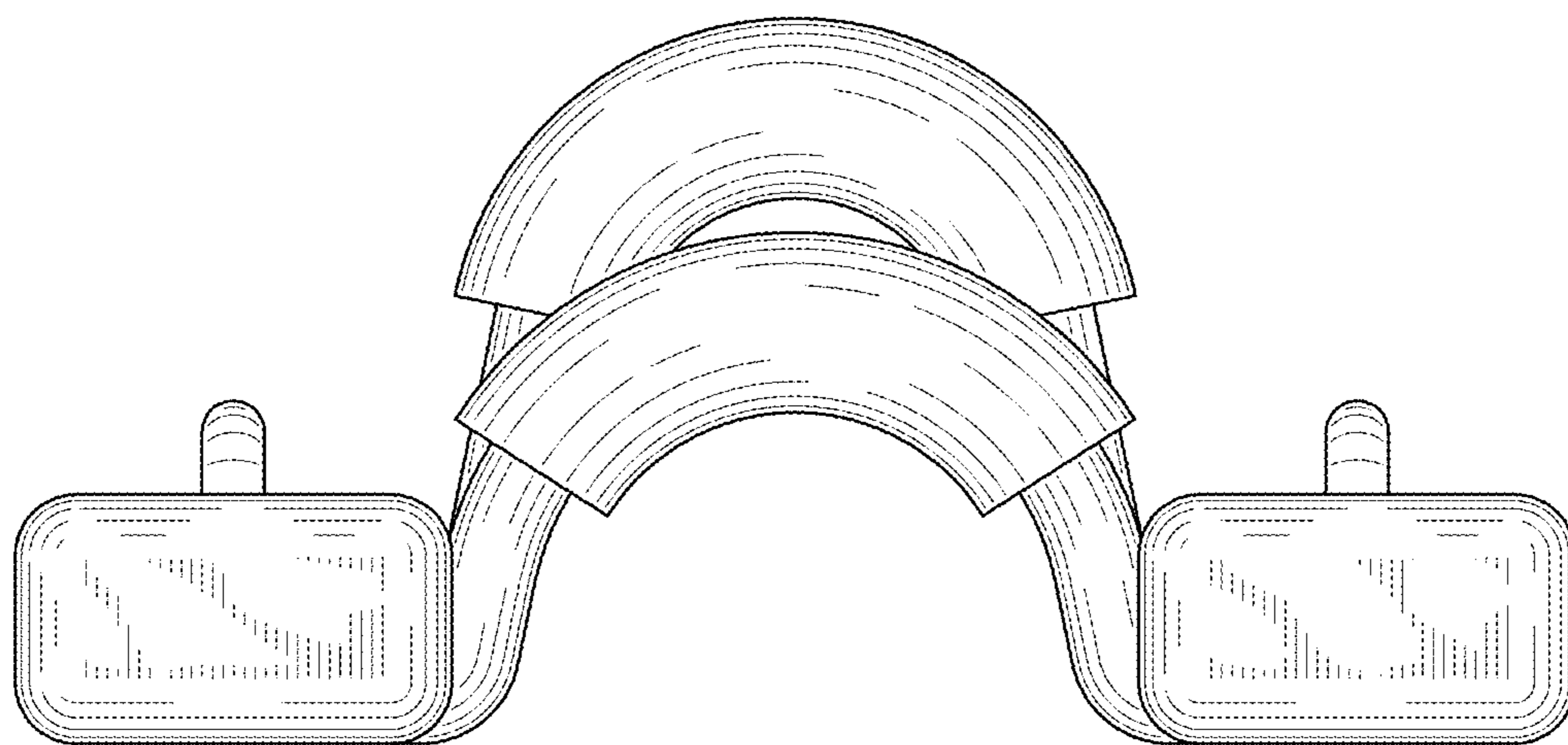


FIG. 2

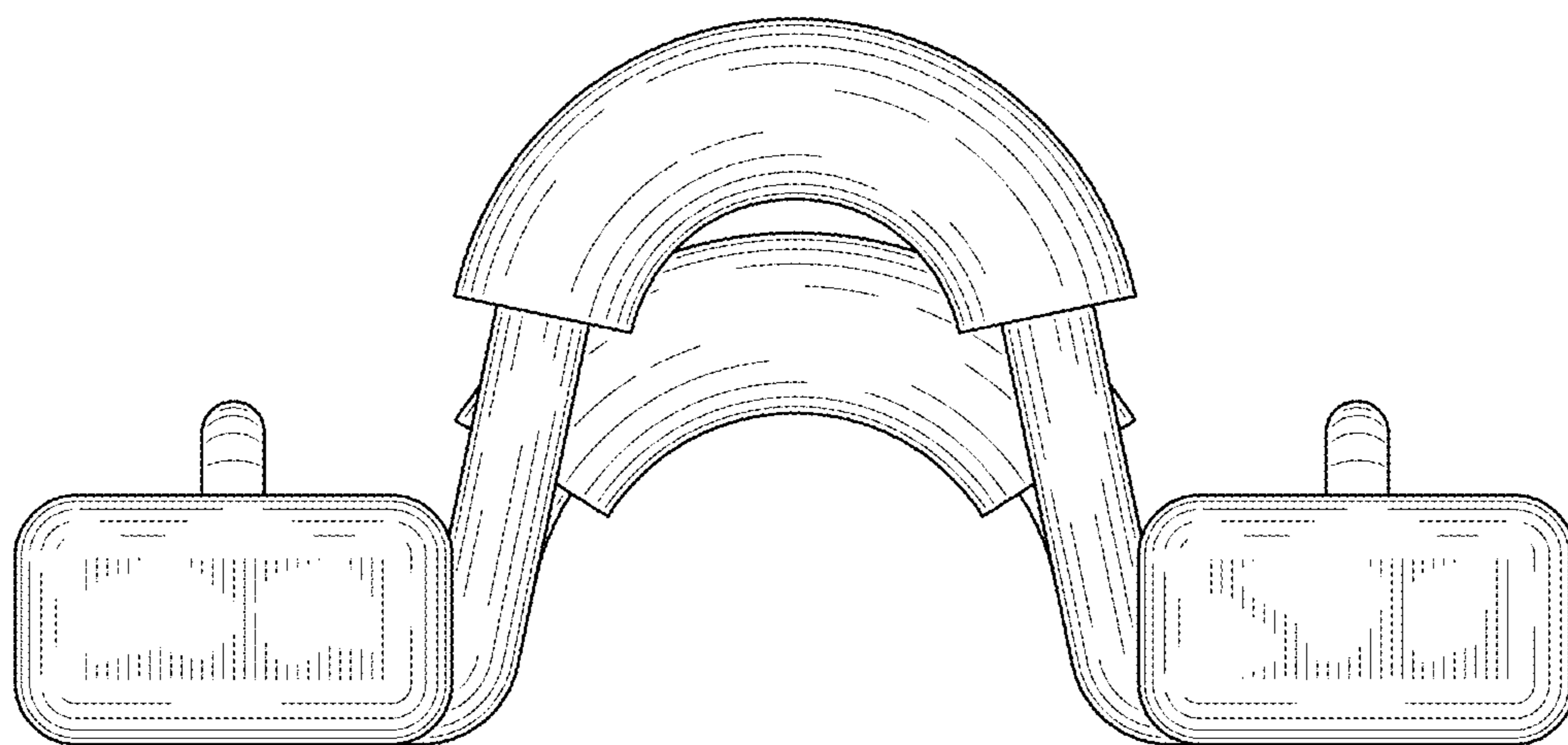


FIG. 3

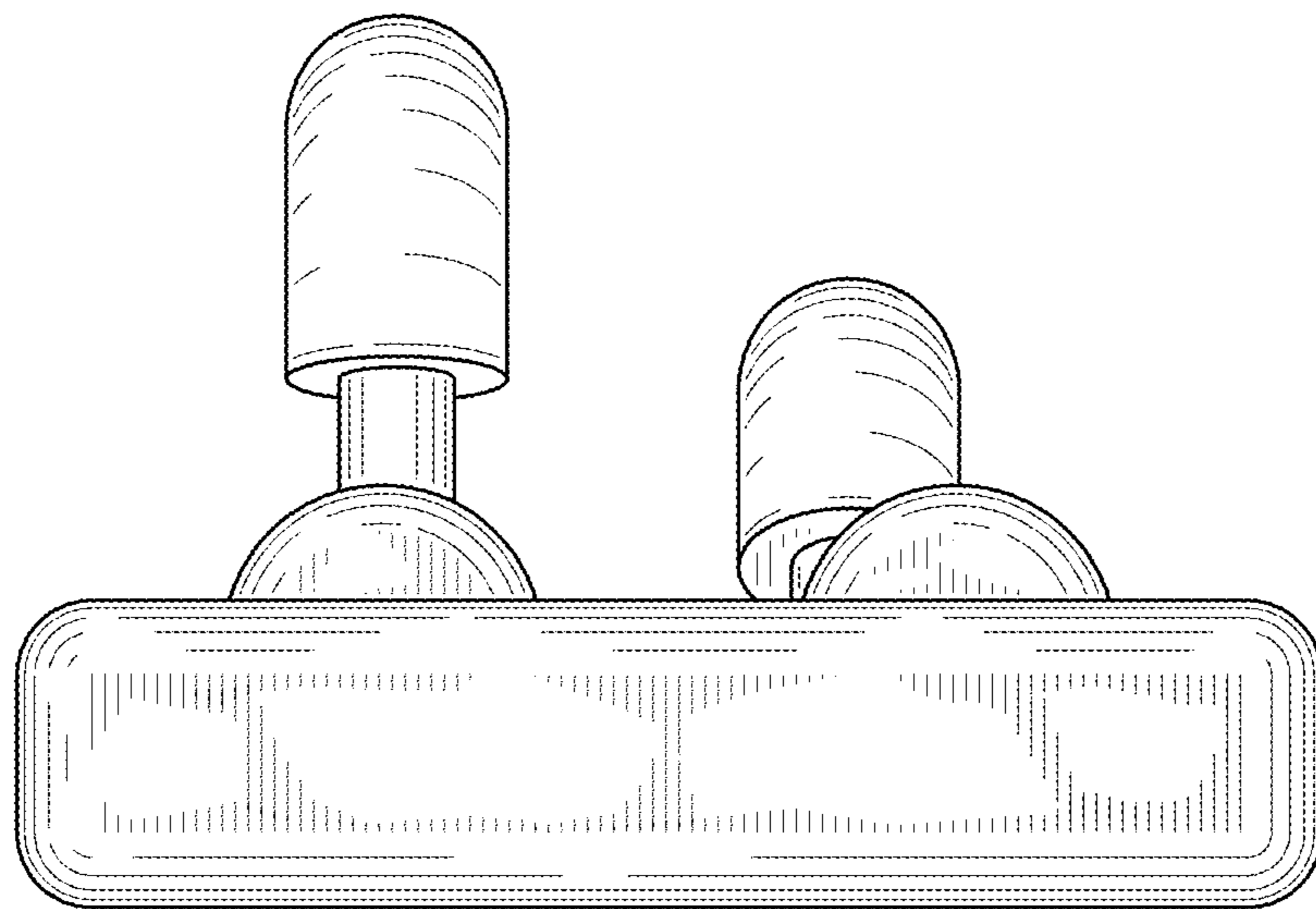


FIG. 4

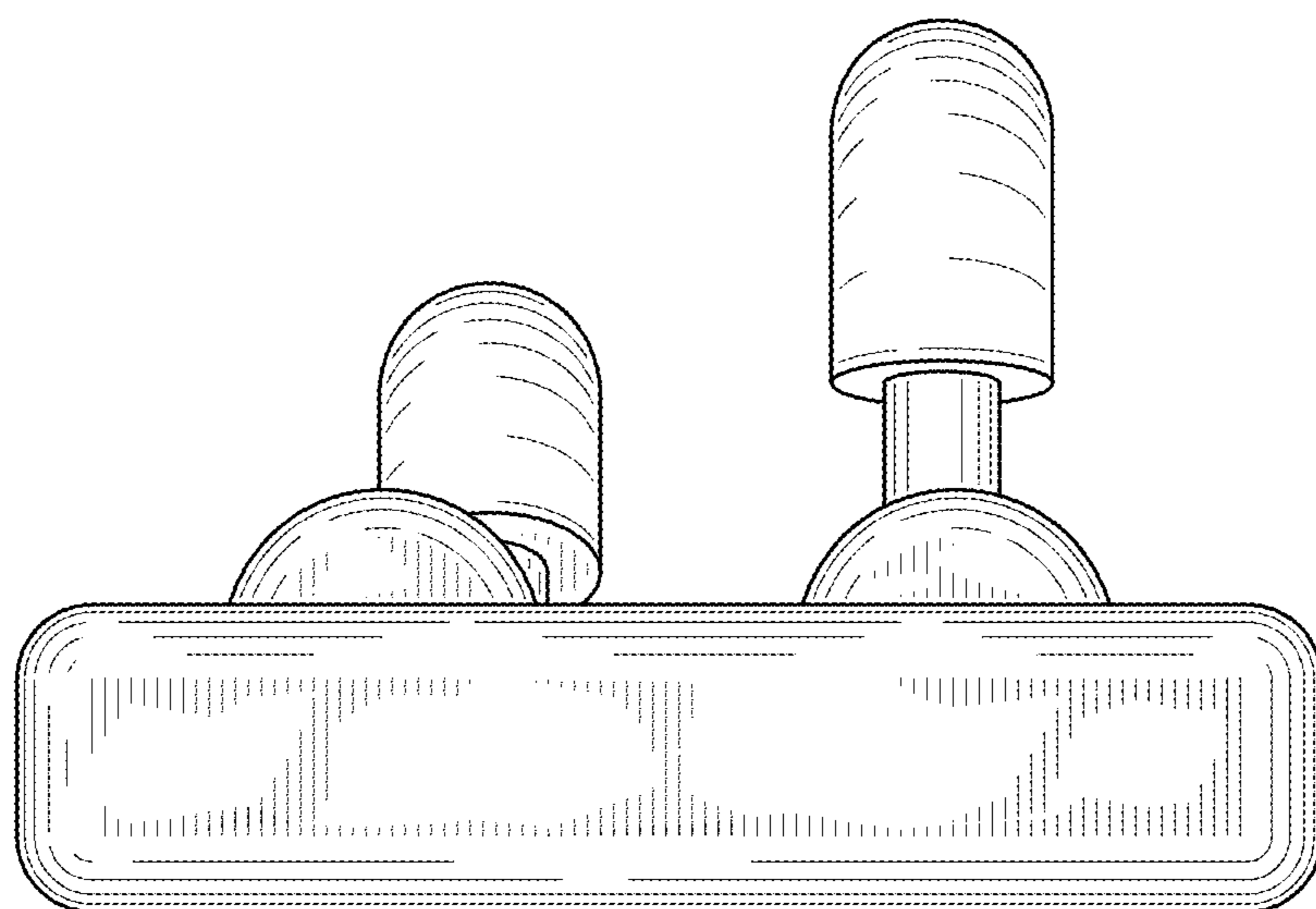


FIG. 5

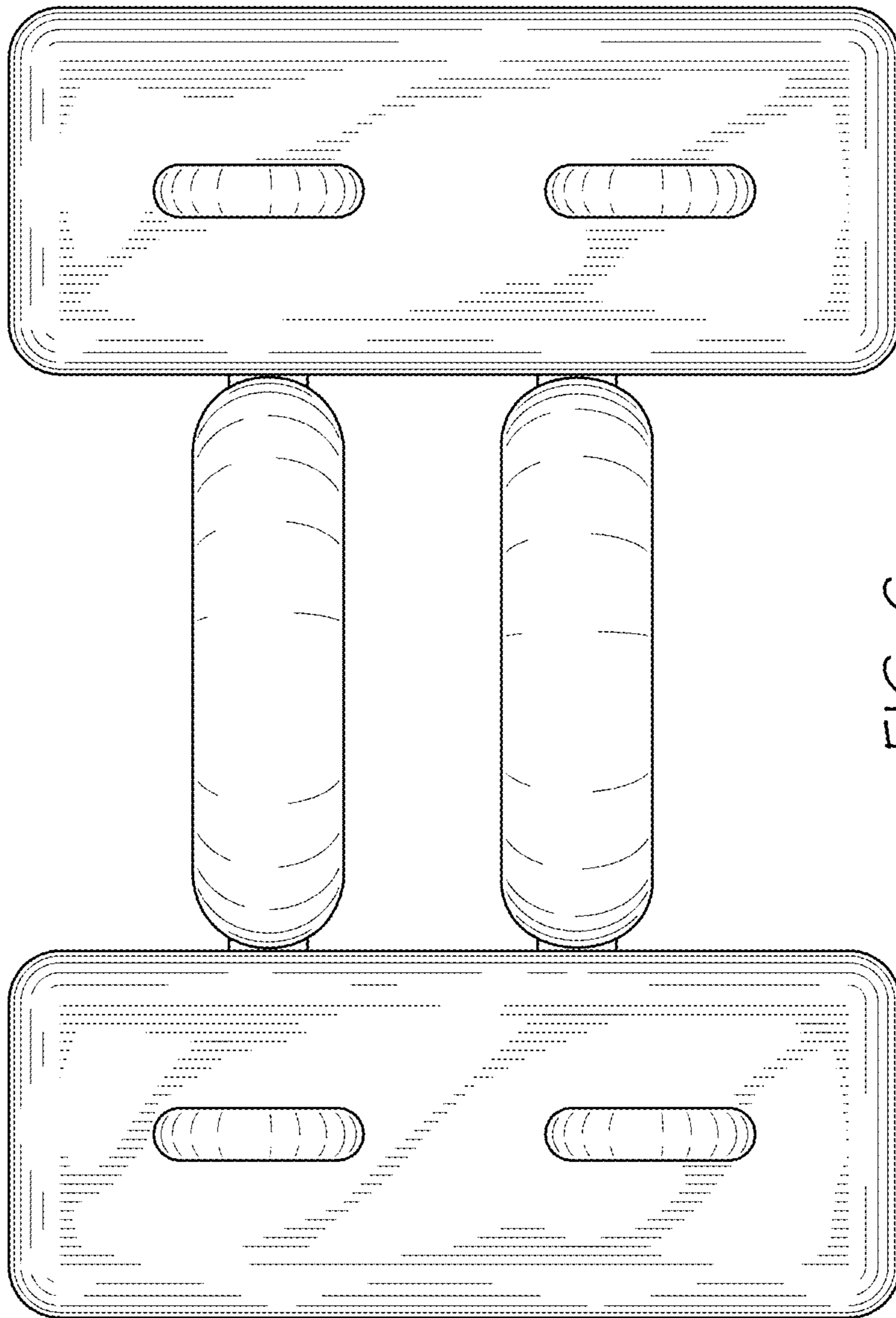


FIG. 6

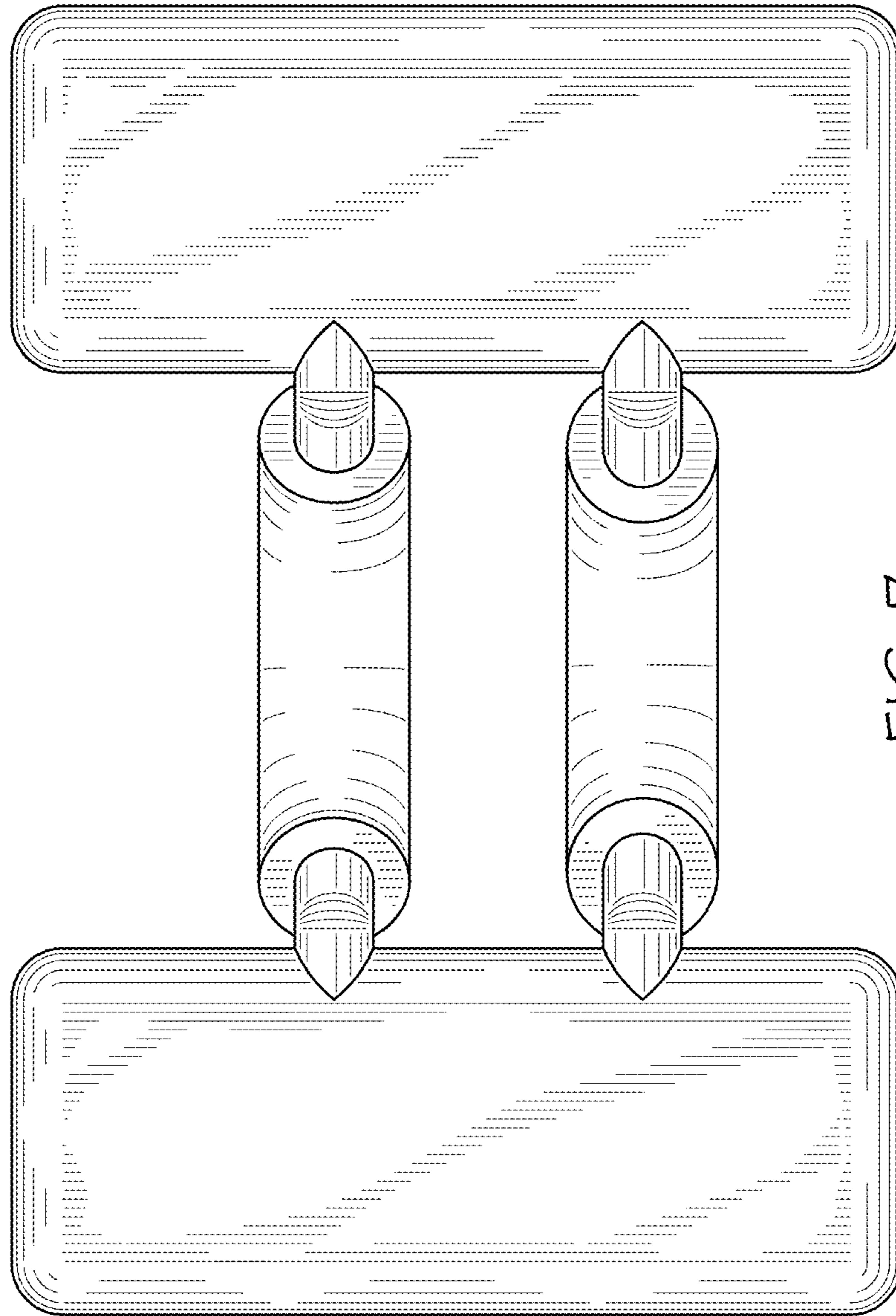


FIG. 7

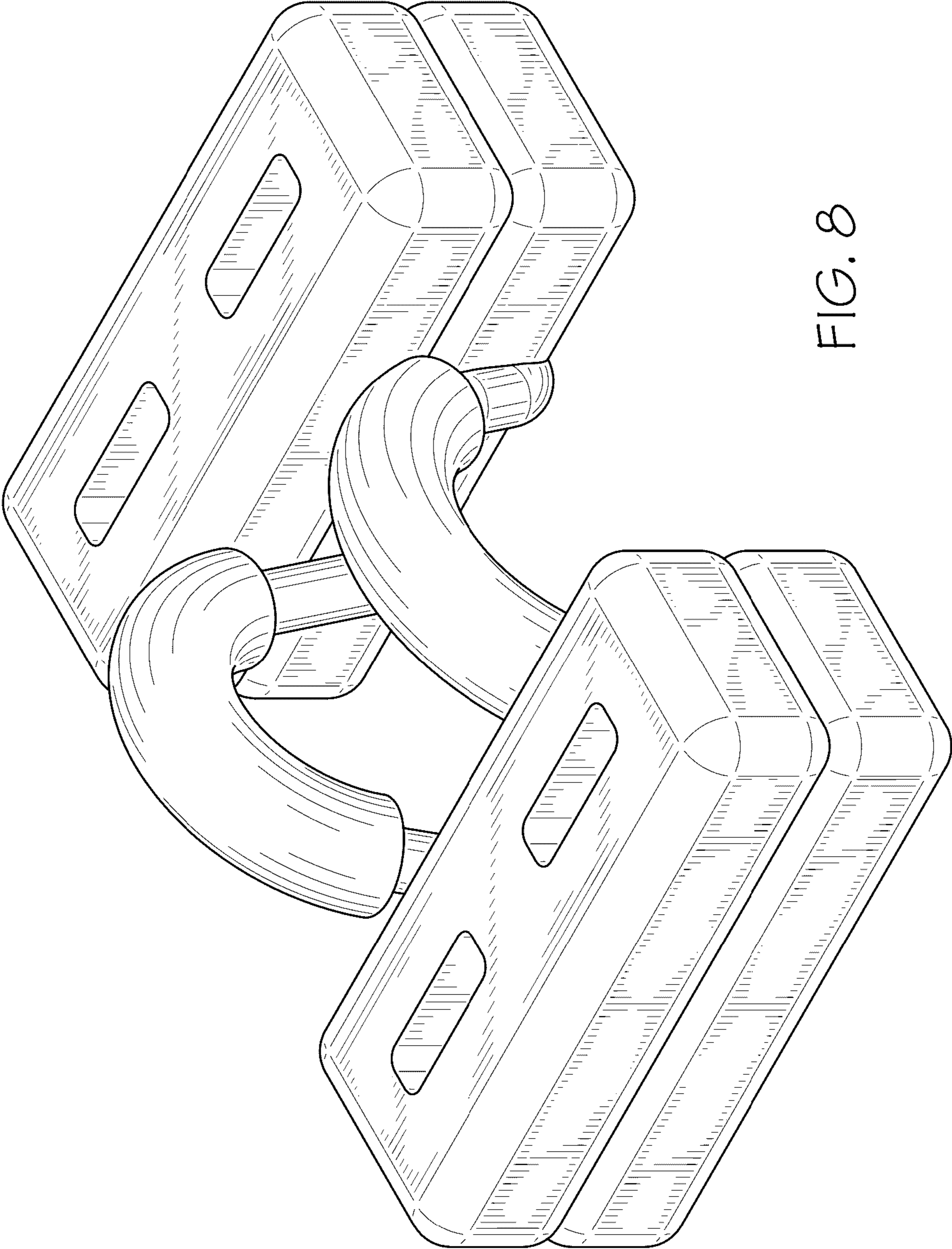


FIG. 8



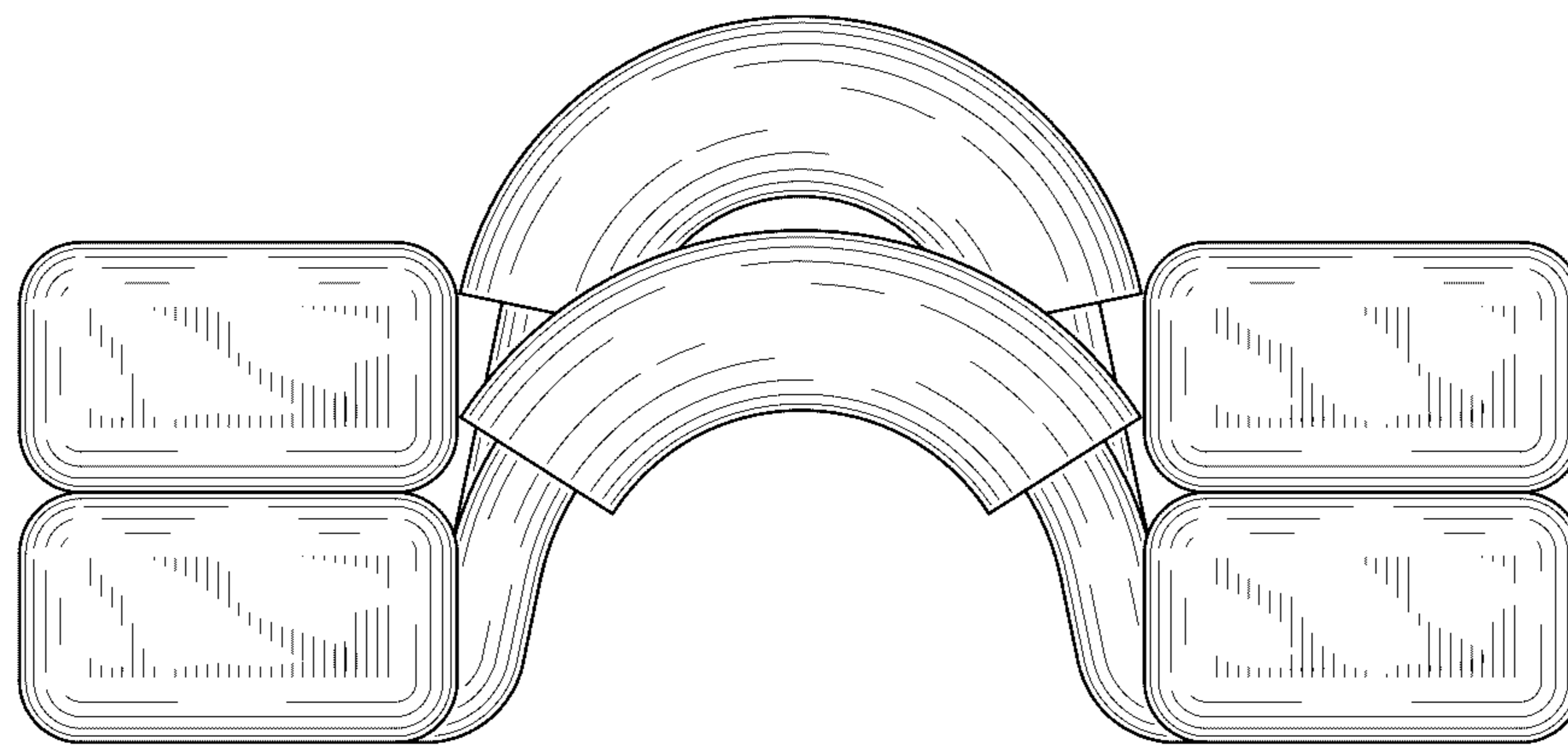


FIG. 9

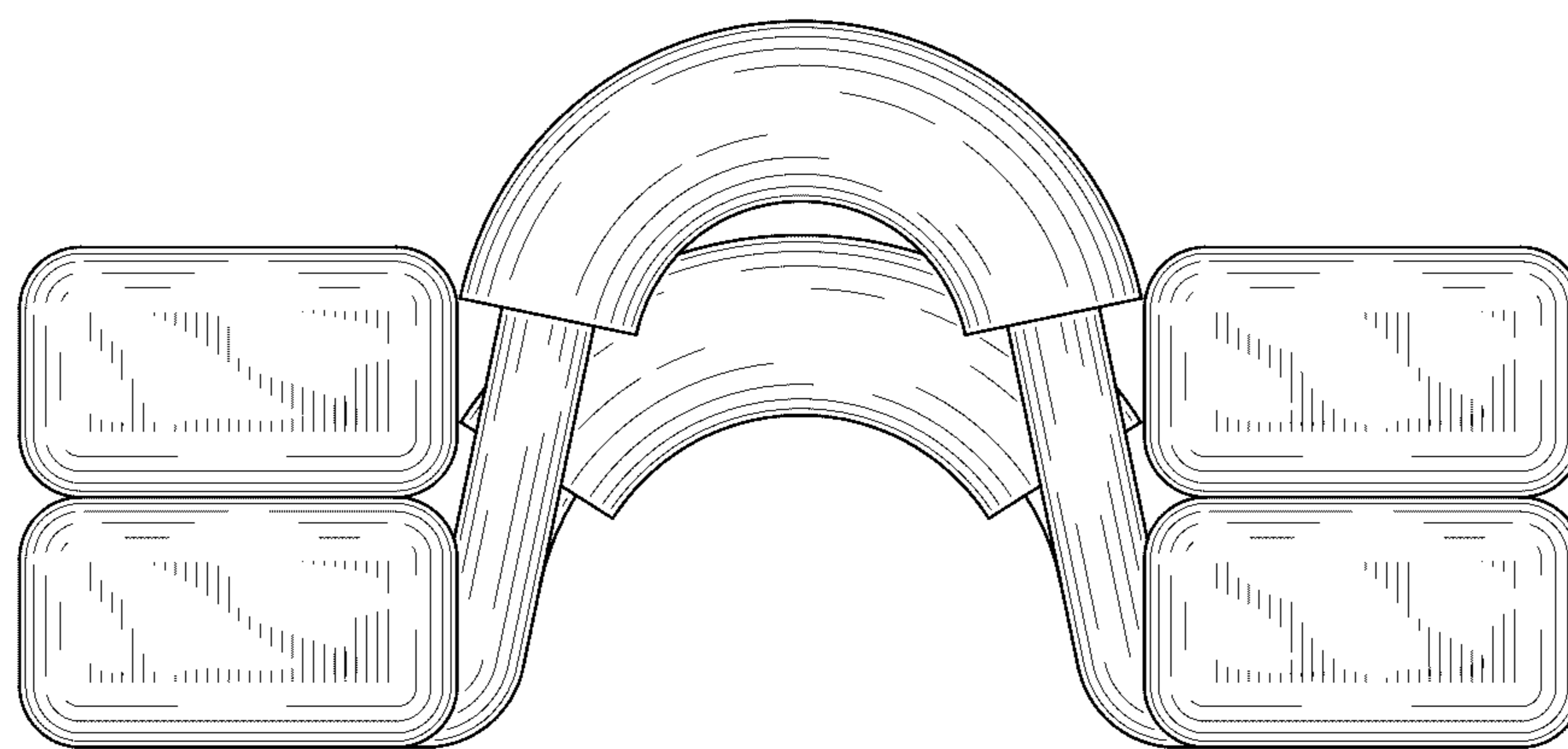


FIG. 10

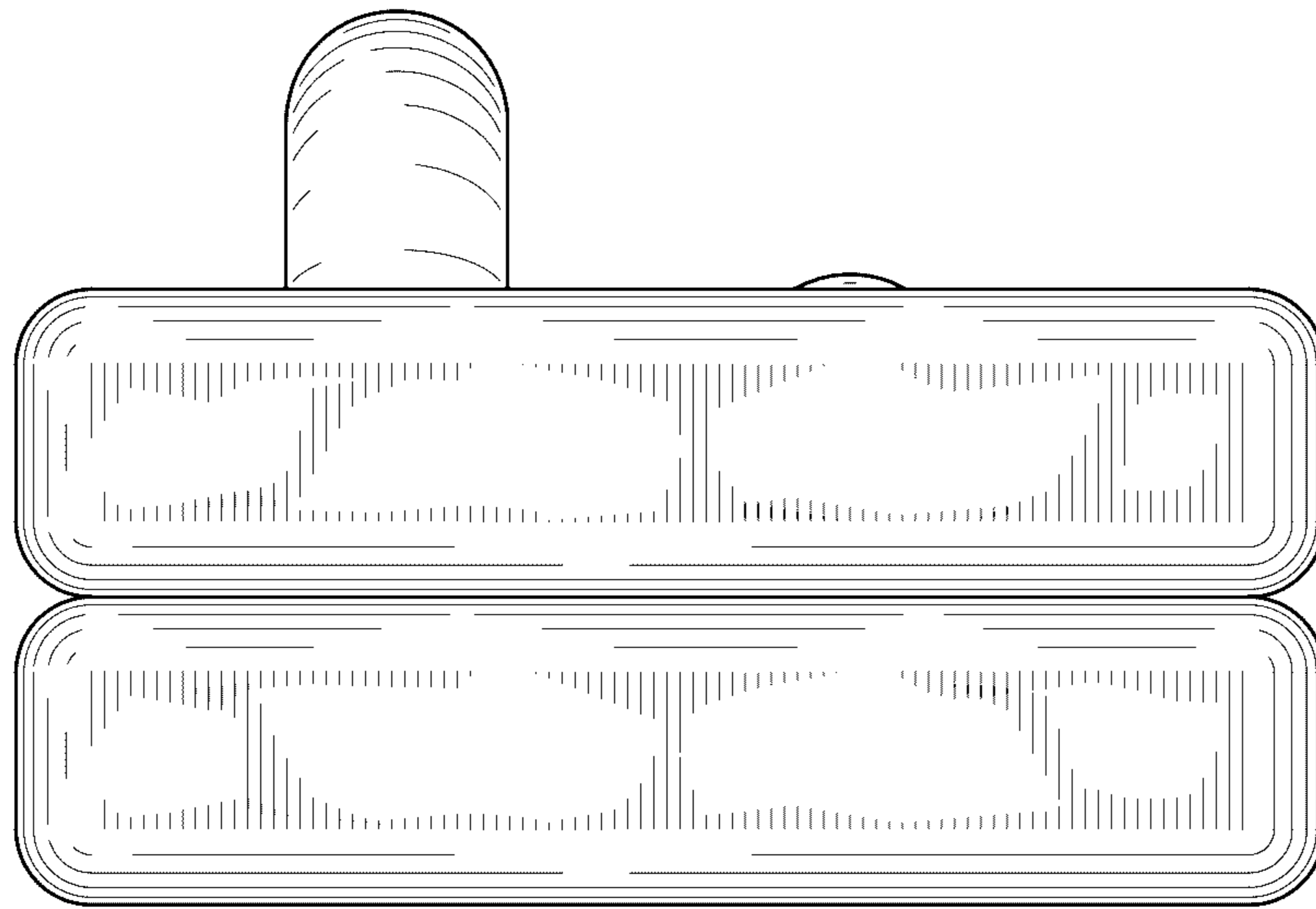


FIG. 11

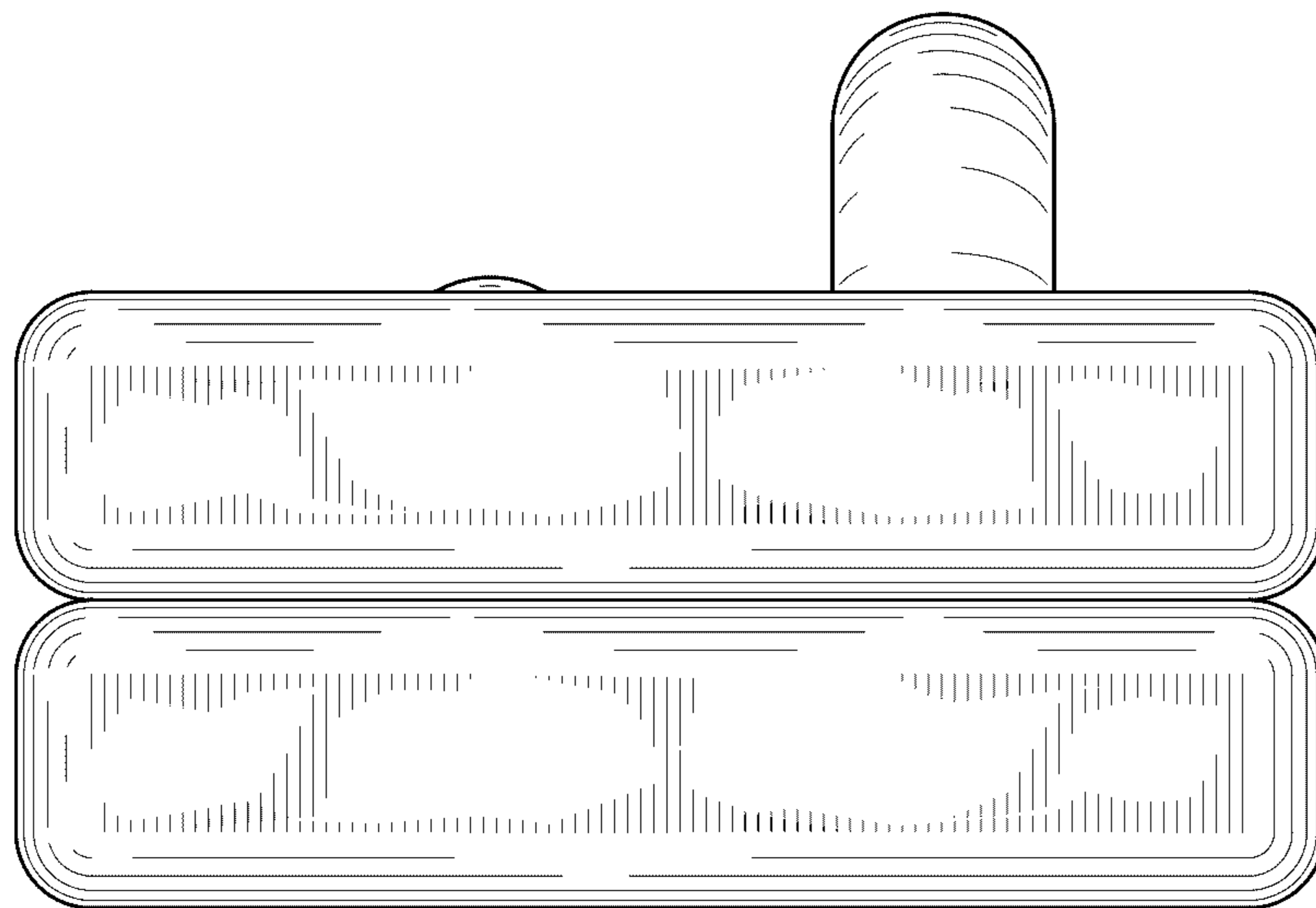


FIG. 12

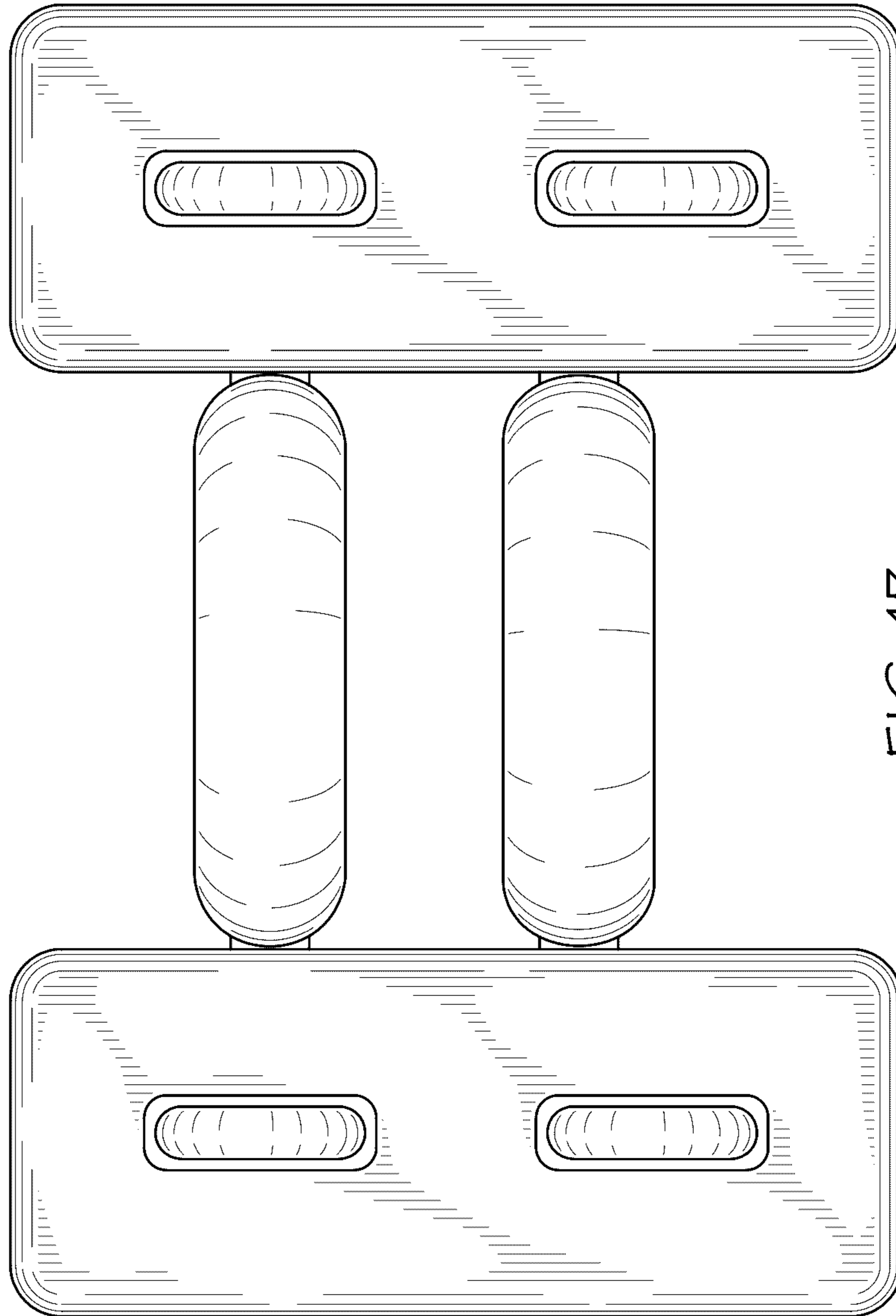


FIG. 13

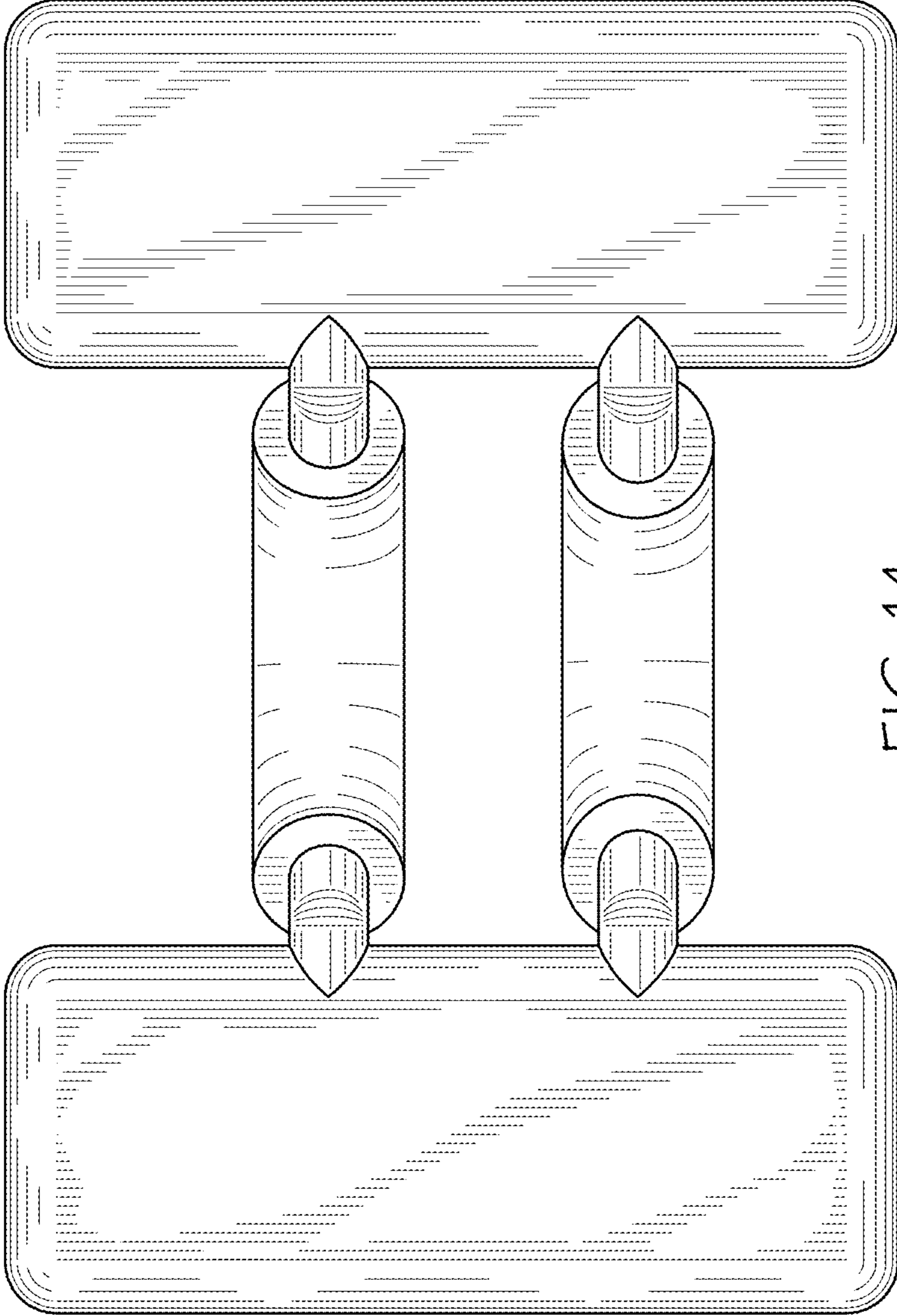


FIG. 14