



US00D774601S

(12) **United States Design Patent** (10) **Patent No.:** **US D774,601 S**
Mizrahi et al. (45) **Date of Patent:** **** Dec. 20, 2016**

(54) **SCOOTER**

(71) Applicants: **Oded Mizrahi**, Tel Aviv (IL); **Yitzhak Kalderon**, Rishon Lezion (IL)

(72) Inventors: **Oded Mizrahi**, Tel Aviv (IL); **Yitzhak Kalderon**, Rishon Lezion (IL)

(**) Term: **15 Years**

(21) Appl. No.: **29/535,373**

(22) Filed: **Aug. 6, 2015**

(30) **Foreign Application Priority Data**

Feb. 9, 2015 (IL) 56583
Aug. 4, 2015 (IL) 57267

(51) **LOC (10) Cl.** **21-01**

(52) **U.S. Cl.**
USPC **D21/423**

(58) **Field of Classification Search**
USPC D21/419, 421, 423, 426-428, 435,
D21/668-671, 760, 765, 771; D12/1, 8,
D12/108, 112, 113; 280/8, 14.21, 14.25,
280/14.26, 87.041, 87.042, 200, 214, 220,
280/221, 239, 263, 288.1, 288.2, 288.4,
280/809; 180/180, 181, 227, 228
CPC B62K 3/002; B62K 9/00; B62K 9/02;
B62K 13/00; B62K 2202/00

See application file for complete search history.

(56) **References Cited**

U.S. PATENT DOCUMENTS

D516,132 S *	2/2006	Sramek	D21/423
D672,400 S *	12/2012	Pizzi	D21/423
D691,671 S *	10/2013	Chen	D21/423
8,870,200 B2 *	10/2014	Chen	B62K 3/002 280/87.01
D736,324 S *	8/2015	Lu	D21/423
D750,180 S *	2/2016	Edlauer	D21/423
2002/0105157 A1 *	8/2002	Chen	B62K 3/002 280/87.041
2005/0230930 A1 *	10/2005	Chung	A63C 17/01 280/87.041

* cited by examiner

Primary Examiner — Cynthia M Chin
(74) *Attorney, Agent, or Firm* — Perel-Intellectual Property Law

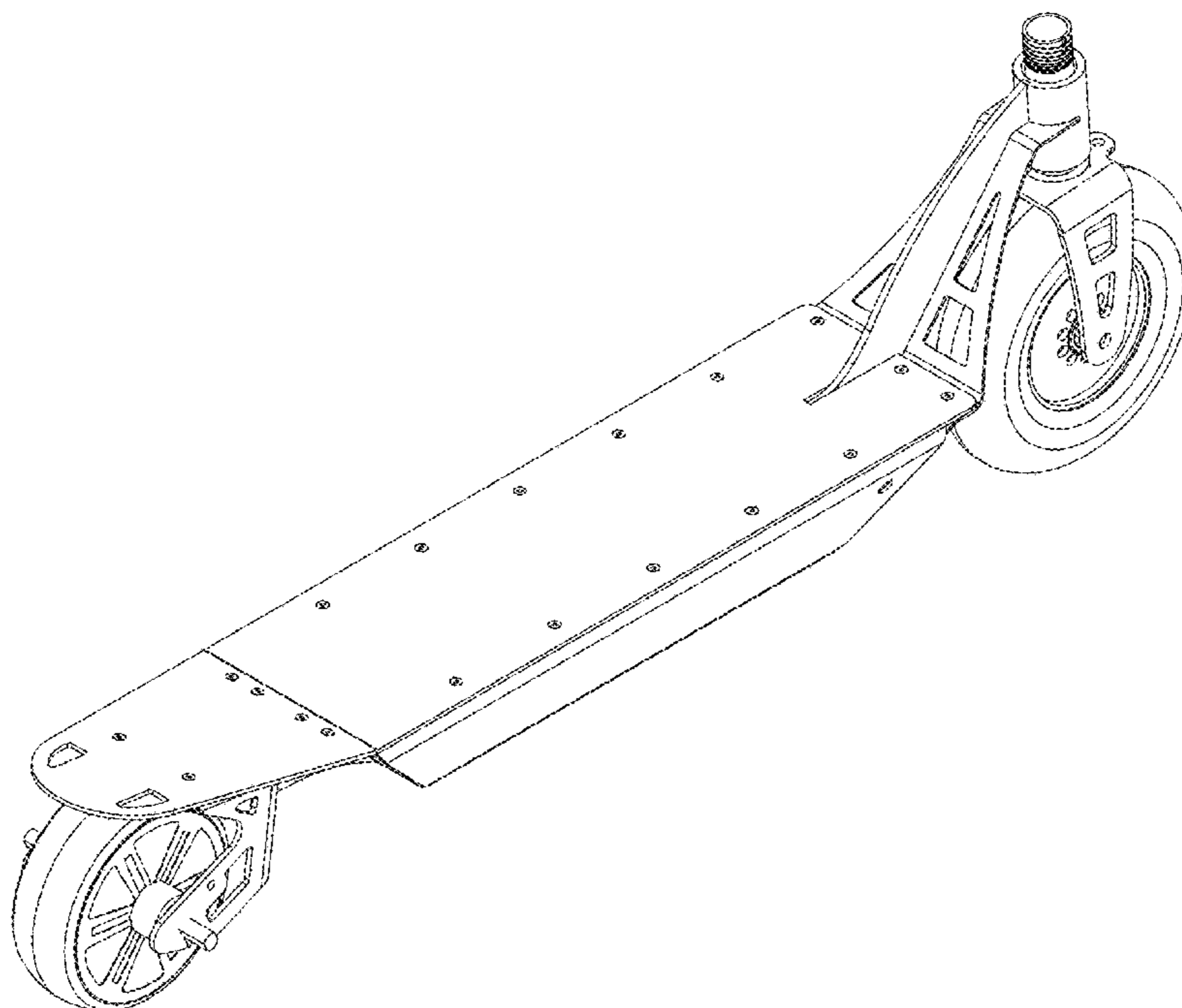
(57) **CLAIM**

The ornamental design for a scooter, as shown.

DESCRIPTION

FIG. 1 is a right view of a scooter showing our new design; FIG. 2 is a left view thereof; FIG. 3 is a top view thereof; FIG. 4 is a bottom view thereof; FIG. 5 is a back view thereof; FIG. 6 is a perspective thereof; and, FIG. 7 is a front view thereof.

1 Claim, 7 Drawing Sheets



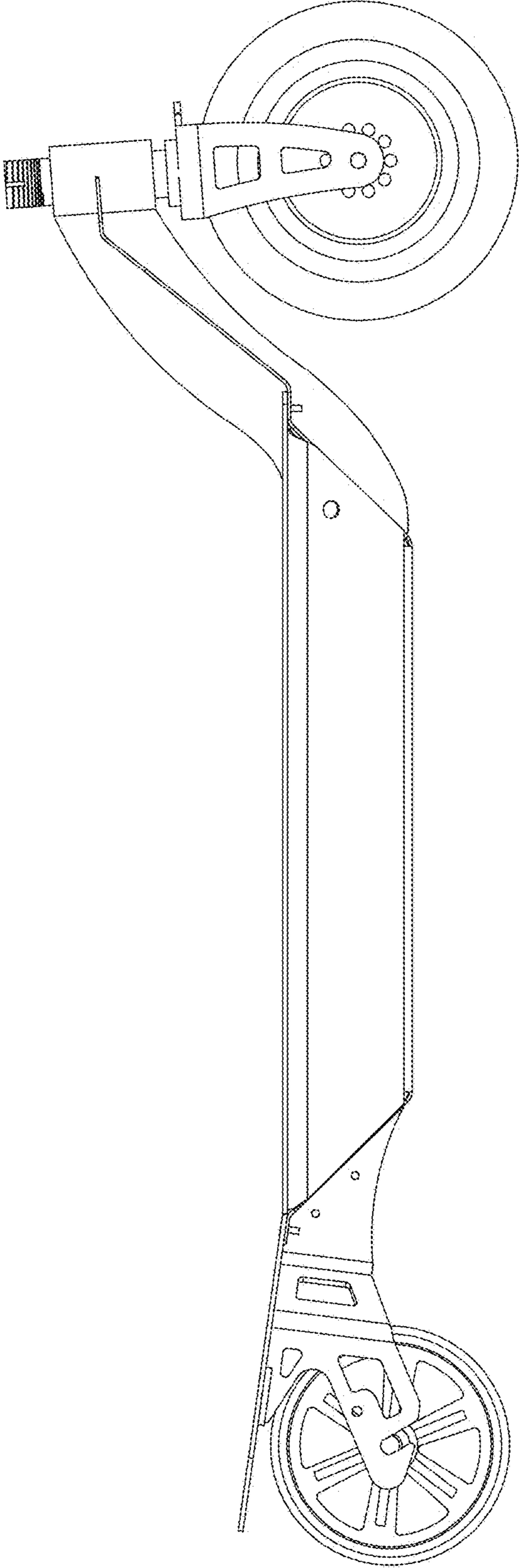


FIG. 1

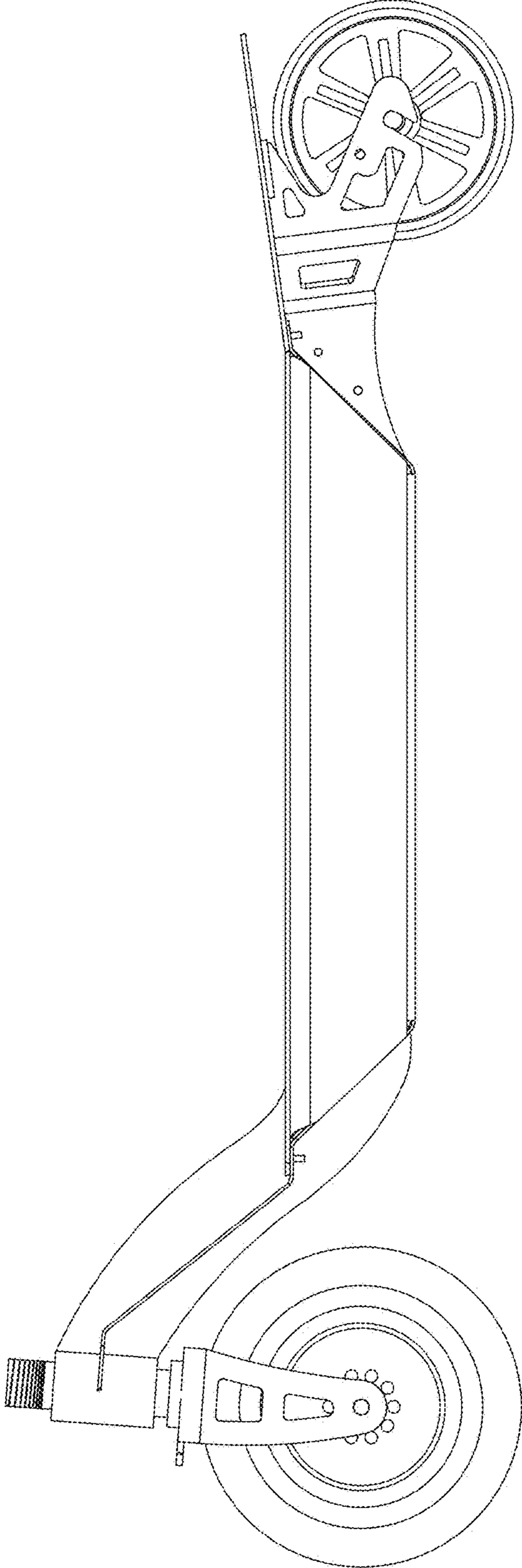


FIG. 2

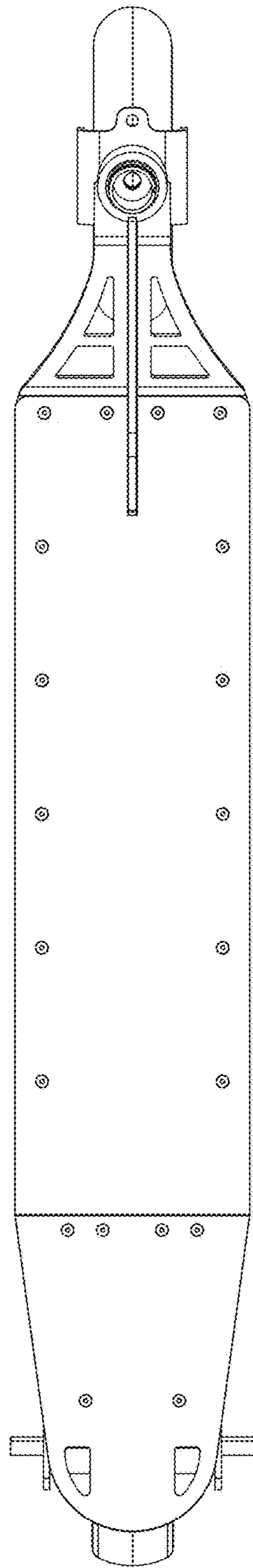


FIG. 3

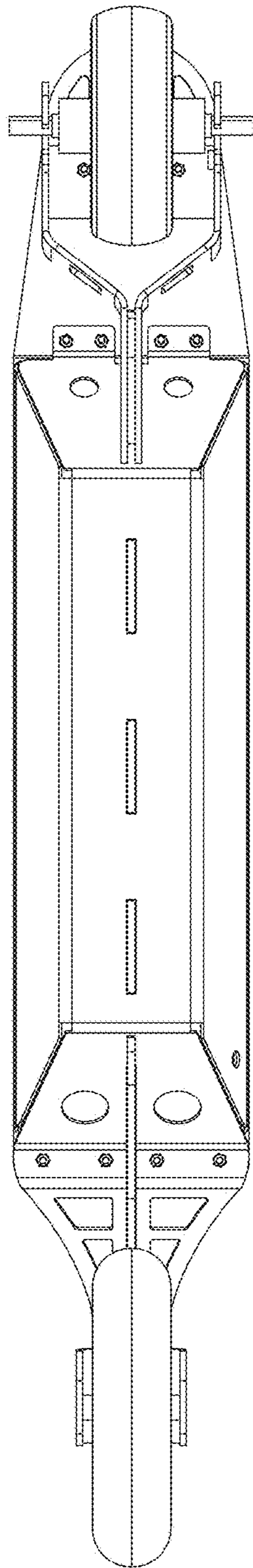


FIG. 4

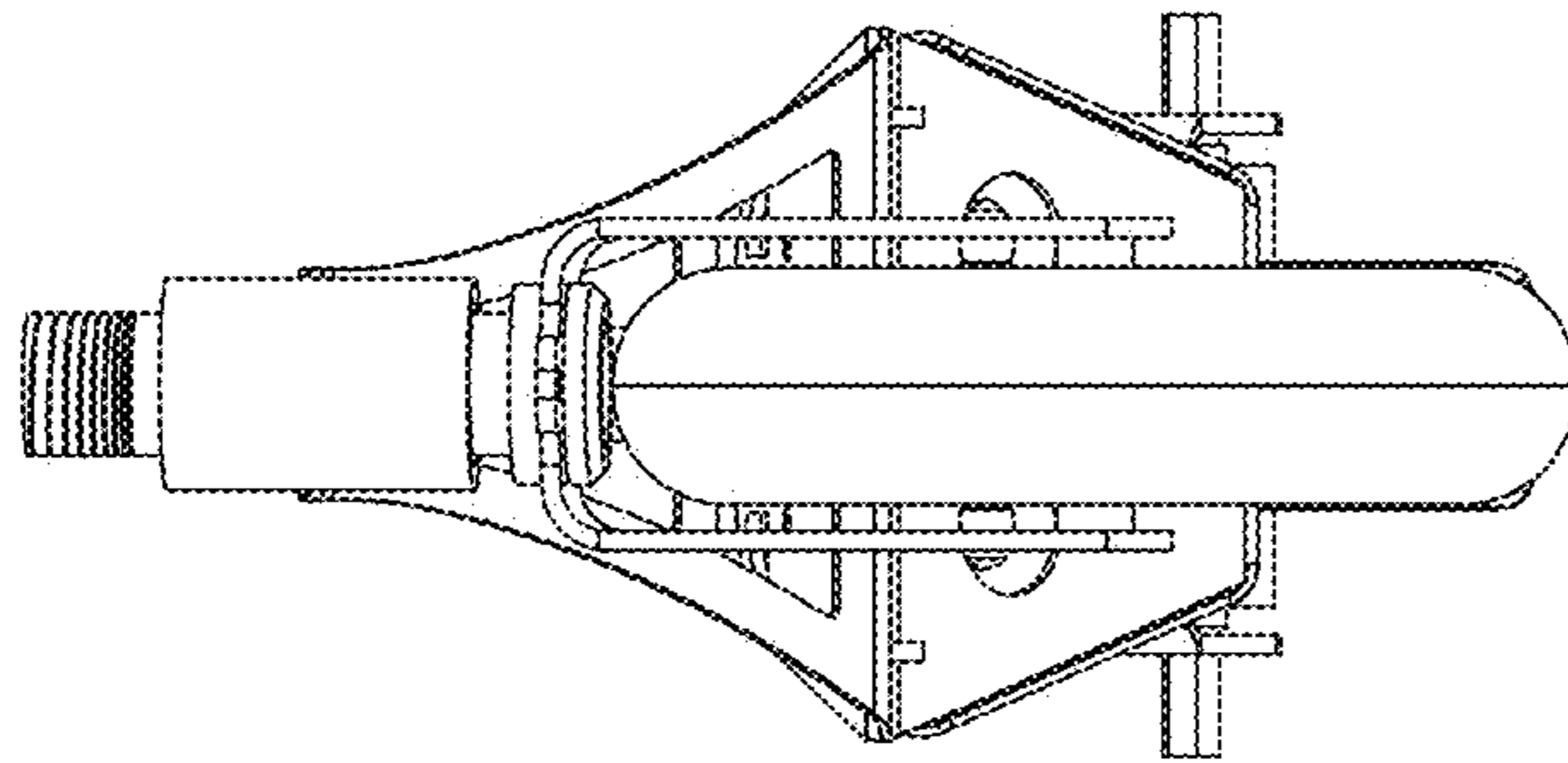


FIG. 5

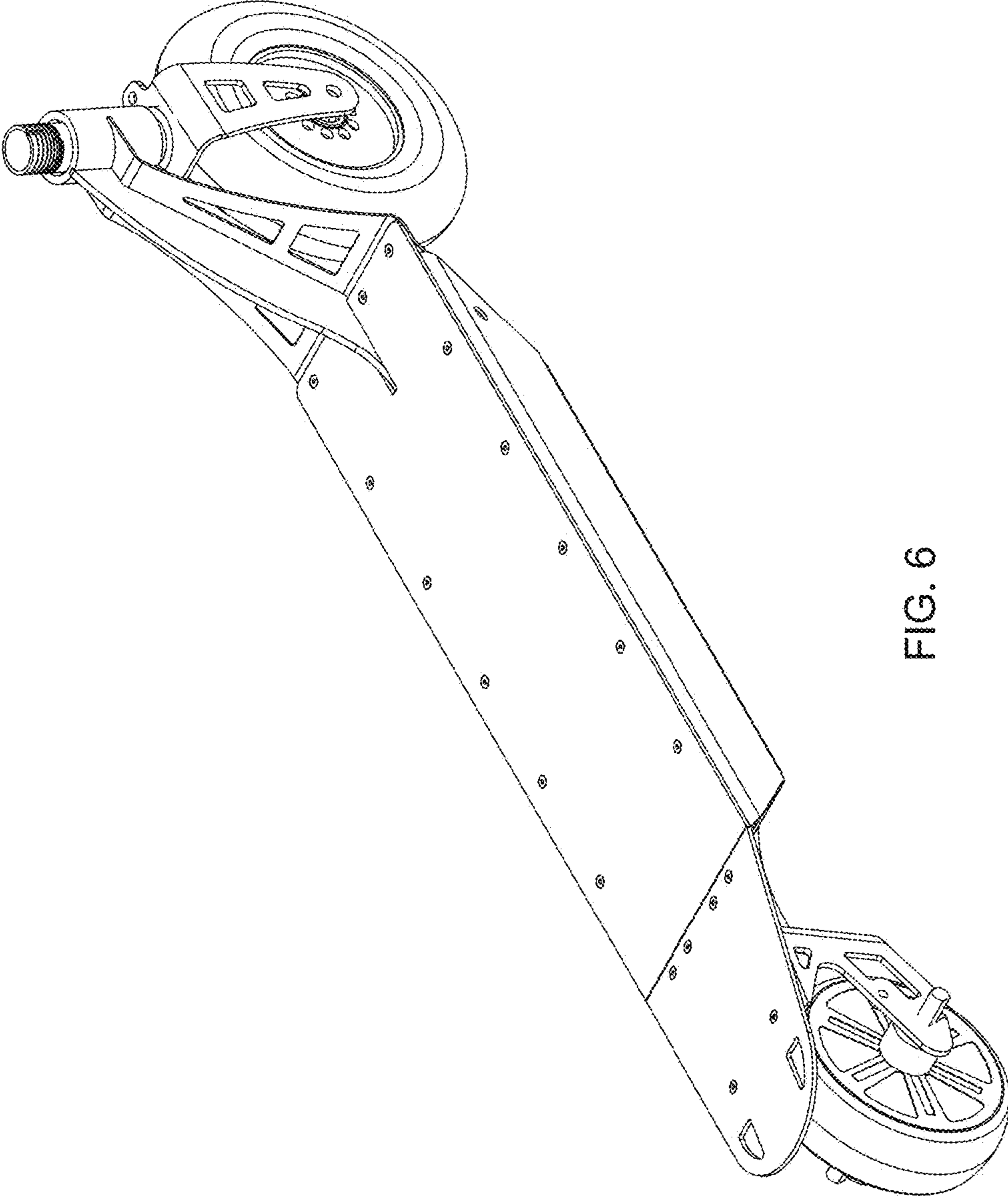


FIG. 6

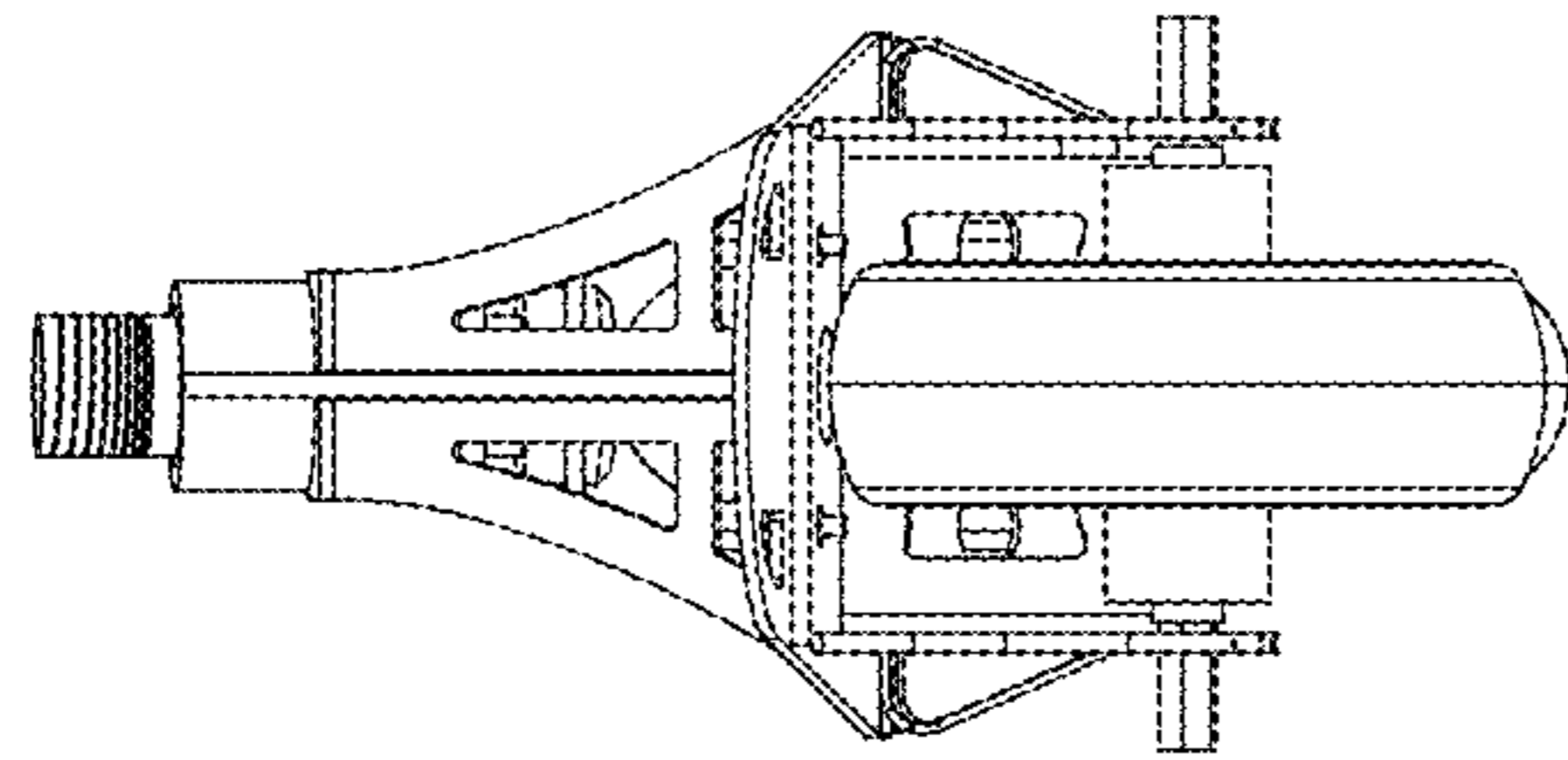


FIG. 7