



US00D774600S

(12) **United States Design Patent** (10) **Patent No.:** **US D774,600 S**  
**Tao** (45) **Date of Patent:** **\*\* Dec. 20, 2016**

(54) **ELECTRIC BALANCING SCOOTER**

(71) Applicant: **Hangzhou Notebike Technology Co., Ltd.**, Hangzhou, Zhejiang (CN)

(72) Inventor: **Xinwu Tao**, Hangzhou (CN)

(73) Assignee: **HANGZHOU NOTEBIKE TECHNOLOGY CO., LTD.**, Hangzhou, Zhejiang Province (CN)

(\*\*) Term: **15 Years**

(21) Appl. No.: **29/538,849**

(22) Filed: **Sep. 9, 2015**

(30) **Foreign Application Priority Data**

Mar. 10, 2015 (CN) ..... 2015 3 0056421

(51) **LOC (10) Cl.** ..... **21-01**

(52) **U.S. Cl.**  
USPC ..... **D21/421; D21/423; D12/1**

(58) **Field of Classification Search**  
USPC ..... D21/419, 421, 423, 424, 432, 760, 765; D12/1  
CPC ..... B62K 3/002; B62K 3/007; B62K 2202/00; B62K 11/00; B62K 2204/00; B62K 21/005; B62D 51/02; B62D 51/005; B62D 37/00

See application file for complete search history.

(56) **References Cited**

**U.S. PATENT DOCUMENTS**

D444,184 S \* 6/2001 Kettler ..... D21/423  
D528,468 S \* 9/2006 Arling ..... D12/1  
D551,722 S \* 9/2007 Chang ..... D12/1  
D743,843 S \* 11/2015 Guo ..... D12/1

2008/0147281 A1\* 6/2008 Ishii ..... B62D 51/005 701/49  
2009/0032323 A1\* 2/2009 Kakinuma ..... B62K 3/007 180/218  
2010/0025139 A1\* 2/2010 Kosaka ..... B62D 61/00 180/218

(Continued)

**FOREIGN PATENT DOCUMENTS**

CN 103170122 A 4/2013  
CN 203244742 U 10/2013

(Continued)

*Primary Examiner* — Cynthia M Chin

(74) *Attorney, Agent, or Firm* — Lihua Zheng; Liu, Zheng, Chen & Hoffman LLP

(57) **CLAIM**

I claim the ornamental design for the electric balancing scooter, as shown and described.

**DESCRIPTION**

The file of this patent contains a least one drawing executed in color. Copies of this patent with color drawings will be provided by the United States Patent and Trademark Office upon request and payment of the necessary fee.

FIG. 1 illustrates a front view of the electric balancing scooter;

FIG. 2 illustrates a rear view of the electric balancing scooter;

FIG. 3 illustrates a left side view of the electric balancing scooter;

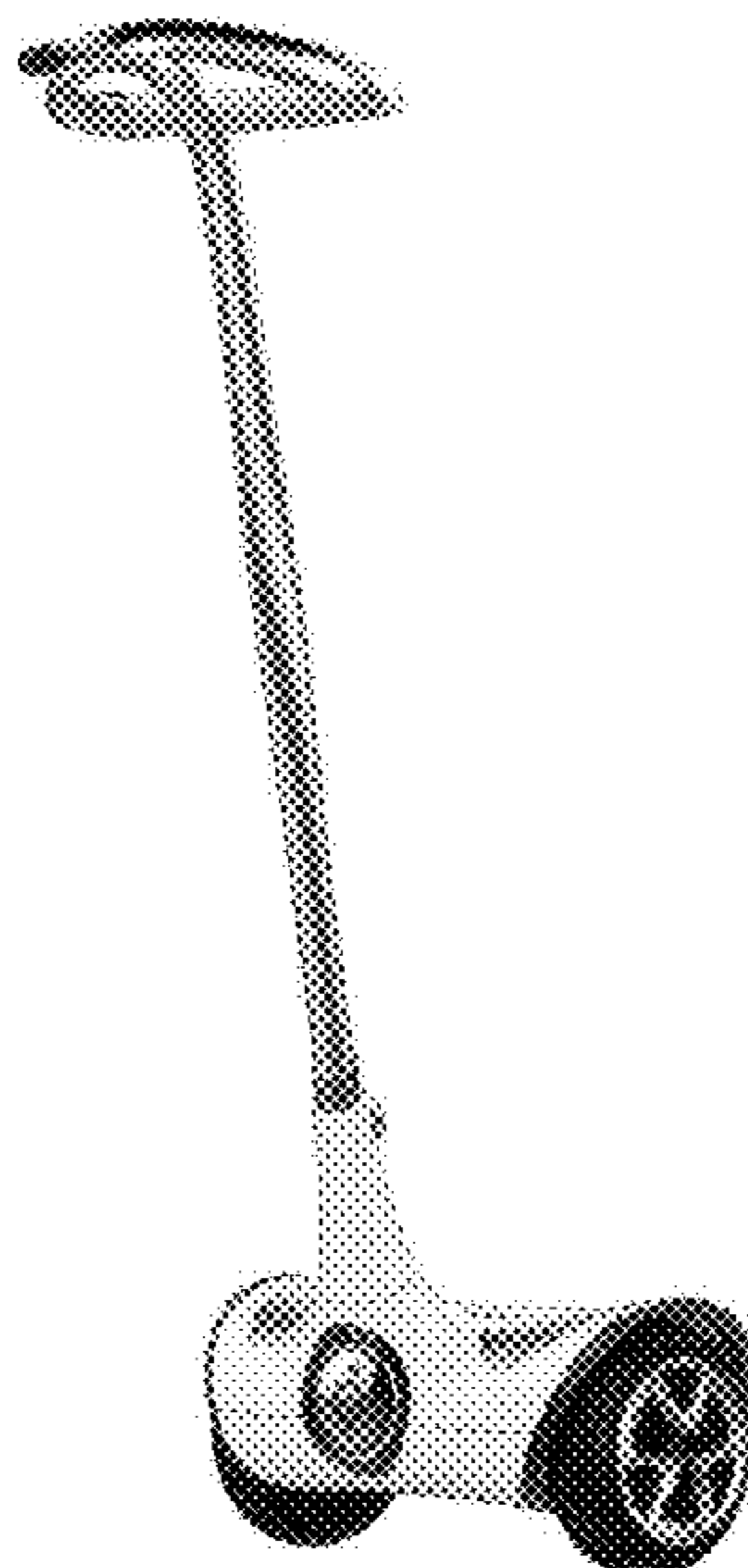
FIG. 4 illustrates a right side view of the electric balancing scooter;

FIG. 5 illustrates a top view of the electric balancing scooter;

FIG. 6 illustrates a bottom view of the electric balancing scooter; and,

FIG. 7 illustrates a corner view of the electric balancing scooter.

**1 Claim, 7 Drawing Sheets**  
**(7 of 7 Drawing Sheet(s) Filed in Color)**



(56)

**References Cited**

U.S. PATENT DOCUMENTS

2012/0035809 A1\* 2/2012 Kosaka ..... B62K 3/007  
701/41  
2012/0323450 A1\* 12/2012 Takeuchi ..... B62K 3/007  
701/49  
2014/0067178 A1\* 3/2014 Taira ..... B62K 3/007  
701/22  
2015/0231971 A1\* 8/2015 Taira ..... B62K 3/007  
701/22  
2015/0246703 A1\* 9/2015 Oishi ..... B62K 3/007  
180/6.2  
2015/0298756 A1\* 10/2015 Takeda ..... B62K 3/007  
180/218

FOREIGN PATENT DOCUMENTS

CN 203244743 U 10/2013  
CN 104229016 A 4/2014

\* cited by examiner

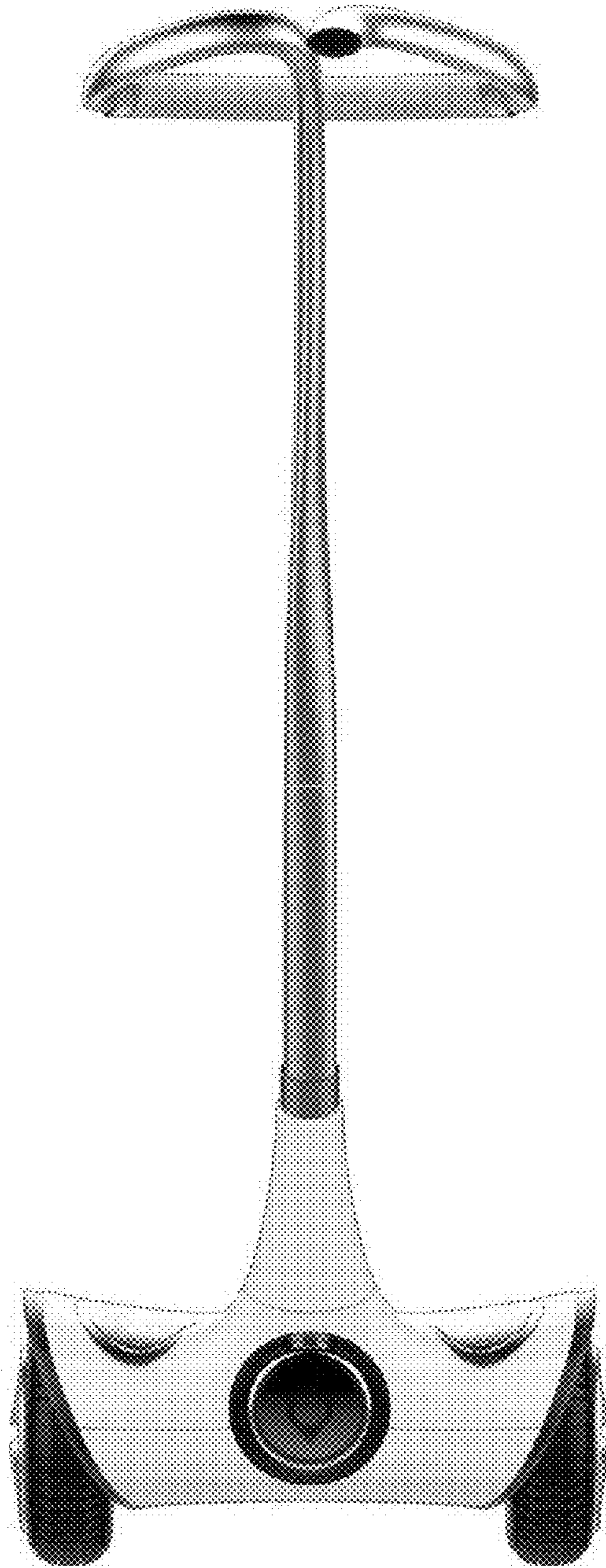


Figure 1



Figure 2



Figure 3



Figure 4



Figure 5

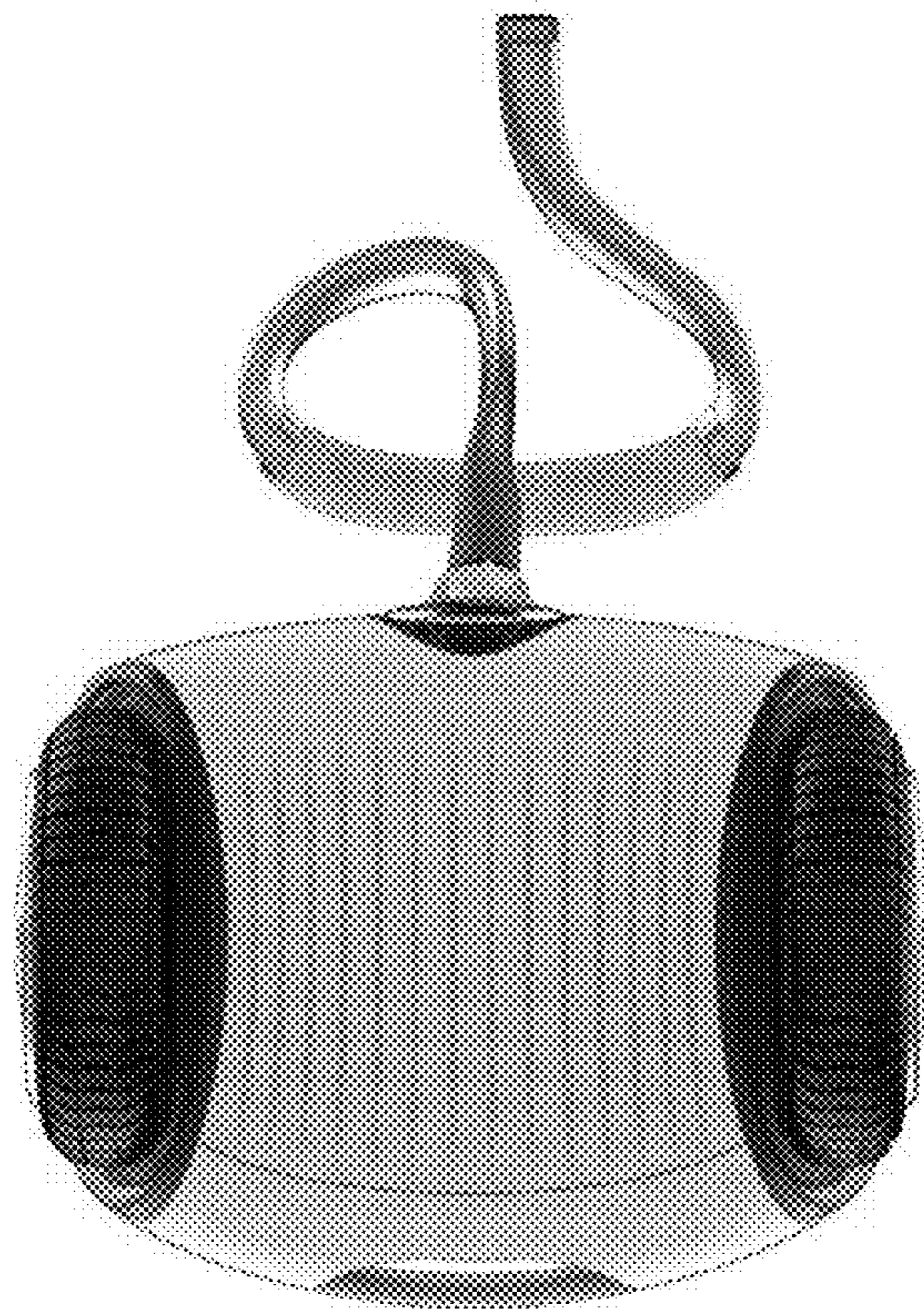


Figure 6





Figure 7