



US00D774599S

(12) **United States Design Patent** (10) **Patent No.:** **US D774,599 S**  
**Shimoda et al.** (45) **Date of Patent:** **\*\* Dec. 20, 2016**

(54) **TOY**

(71) Applicant: **BANDAI CO., LTD.**, Tokyo (JP)

(72) Inventors: **Tatsuhiko Shimoda**, Tokyo (JP);  
**Hiroki Matsui**, Tokyo (JP);  
**Shinnosuke Terai**, Tokyo (JP)

(73) Assignee: **BANDAI CO., LTD.**, Tokyo (JP)

(\*\*) Term: **14 Years**

(21) Appl. No.: **29/504,026**

(22) Filed: **Oct. 1, 2014**

(30) **Foreign Application Priority Data**  
Apr. 1, 2014 (JP) ..... 2014-007184

(51) **LOC (10) Cl.** ..... **21-01**

(52) **U.S. Cl.**  
USPC ..... **D21/398**

(58) **Field of Classification Search**  
USPC ..... D21/300, 302, 308, 312-320, 324, 328,  
D21/329, 331, 333, 334, 338-342, 346,  
D21/347, 350-361, 362, 385, 386, 390,  
D21/392, 396, 397, 398, 399, 404, 405,  
D21/412, 419, 421, 443, 453, 454, 455,  
D21/468, 469, 475, 476, 477, 478, 483,  
D21/484, 485, 488, 489, 490, 492, 493,  
D21/495, 503, 513, 516, 530, 531,561,  
D21/563, 566, 658, 662, 671, 686,  
D21/688, 689, 694, 881, 812, 814;  
D19/59, 60, 62-64, 103, 113;  
D11/95-116, 40, 44-85, 132-140,  
D11/200-241; D20/28-38, 42, 43;  
446/26-28; 40/1.5, 1.6, 27.5, 315  
CPC ..... A44C 3/00-3/008; A44C 21/00; A63H  
33/00; A63H 33/30; A63H 33/42; A44B  
1/06; A44B 1/08; A44B 1/14  
See application file for complete search history.

(56) **References Cited**

U.S. PATENT DOCUMENTS

D25,544 S \* 5/1896 Brown ..... D11/108  
784,077 A \* 3/1905 Smith et al. .... A44C 3/001  
273/153 R  
1,293,137 A \* 2/1919 McAdoo ..... A44C 3/001  
24/3.1  
D90,768 S \* 9/1933 Hutchison ..... D11/116  
D118,028 S \* 12/1939 Vaisey ..... D11/95  
D147,228 S \* 8/1947 Daniels ..... D11/96  
D203,547 S \* 1/1966 Steckman ..... D18/24  
3,468,045 A \* 9/1969 Keller ..... A44C 1/00  
40/1.5  
D217,973 S \* 7/1970 Kohner et al. .... 273/282.1  
D224,122 S \* 7/1972 Tremel et al. .... 273/242  
D262,464 S \* 12/1981 Vernon, Jr. .... D21/324  
D283,410 S \* 4/1986 De Rosa ..... D11/41  
4,597,206 A \* 7/1986 Benson ..... A44C 3/001  
24/103  
4,682,955 A \* 7/1987 Wada ..... G09B 1/14  
434/175  
D324,501 S \* 3/1992 Ilaria ..... D11/95  
D523,489 S \* 6/2006 Su ..... D21/390  
7,069,678 B2 \* 7/2006 Kaneko ..... A44B 1/06  
40/1.5  
8,316,804 B2 \* 11/2012 Ottosson ..... A01K 5/0114  
119/707

(Continued)

**FOREIGN PATENT DOCUMENTS**

CN 302362534 \* 3/2013  
JP 2006204880 A \* 8/2006

*Primary Examiner* — Catherine Tuttle  
(74) *Attorney, Agent, or Firm* — Rabin & Berdo, P.C.

(57) **CLAIM**

The ornamental design for the toy, as shown and described.

**DESCRIPTION**

FIG. 1 is a perspective view of a toy;  
FIG. 2 is another perspective view thereof;

(Continued)

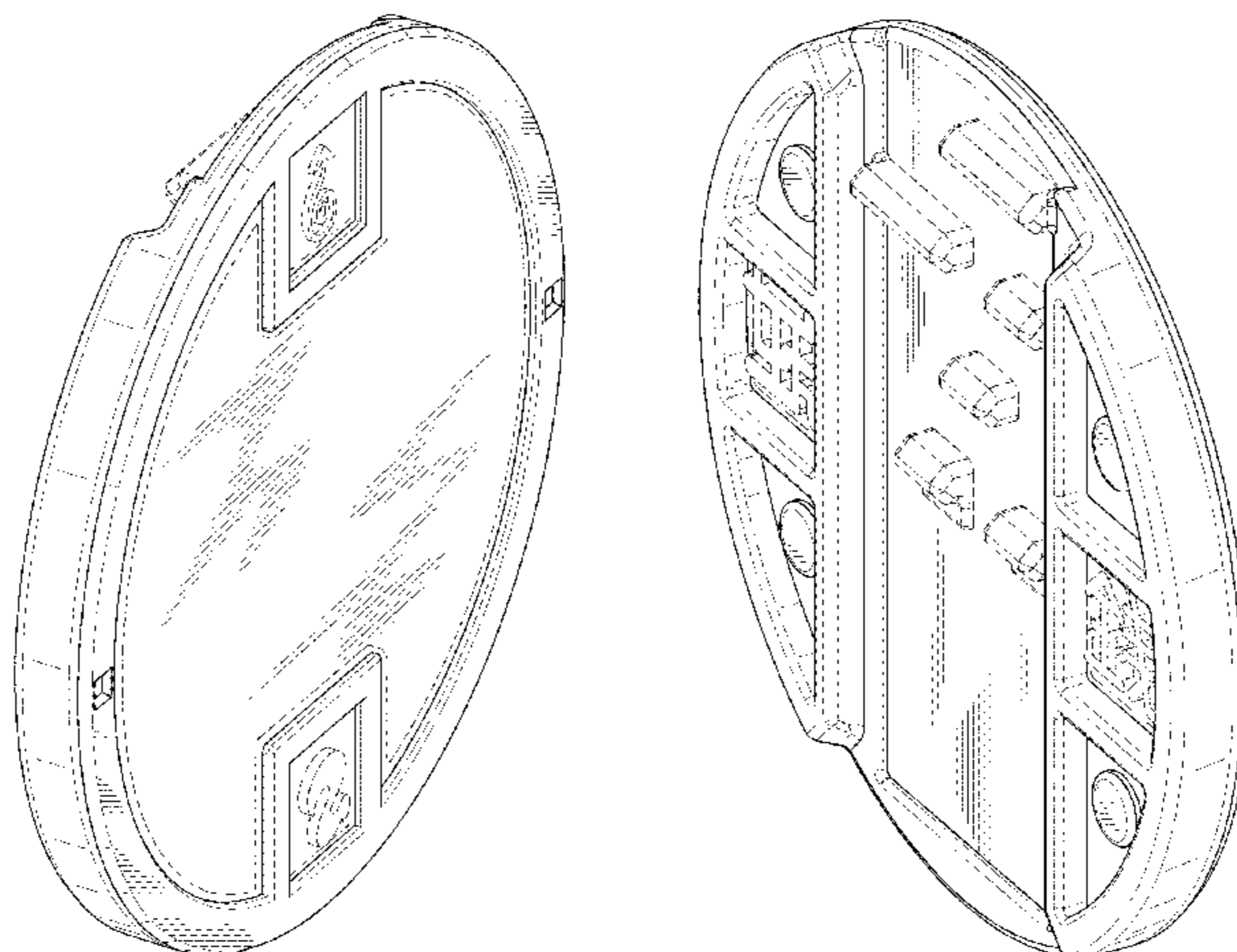


FIG. 3 is a front view thereof;  
FIG. 4 is a rear view thereof;  
FIG. 5 is a left side view thereof;  
FIG. 6 is a right side view thereof;  
FIG. 7 is a top view thereof; and,  
FIG. 8 is a bottom view thereof.  
The features shown in broken lines form no part of the  
claimed design.

**1 Claim, 6 Drawing Sheets**

(56)

**References Cited**

U.S. PATENT DOCUMENTS

D699,299 S *	2/2014	Bruker	.....	D19/60
D712,963 S *	9/2014	Fleet	.....	D19/113
D723,631 S *	3/2015	Kanbar	.....	D21/488
9,084,459 B2 *	7/2015	Fazackerley	.....	A45C 13/1046
D737,385 S *	8/2015	Woniger	.....	D21/671
9,202,090 B2 *	12/2015	Matsui	.....	G06K 5/00
2003/0049391 A1 *	3/2003	Martorella	.....	A44C 3/001 428/7
2004/0081845 A1 *	4/2004	Liao	.....	A44C 3/004 428/524
2005/0011091 A1 *	1/2005	Lin	.....	A44C 3/001 40/1.5
2014/0053435 A1 *	2/2014	Schmitz	.....	A44C 3/001 40/1.5
2014/0194030 A1 *	7/2014	Stucke, Jr.	.....	A63H 33/26 446/73

\* cited by examiner

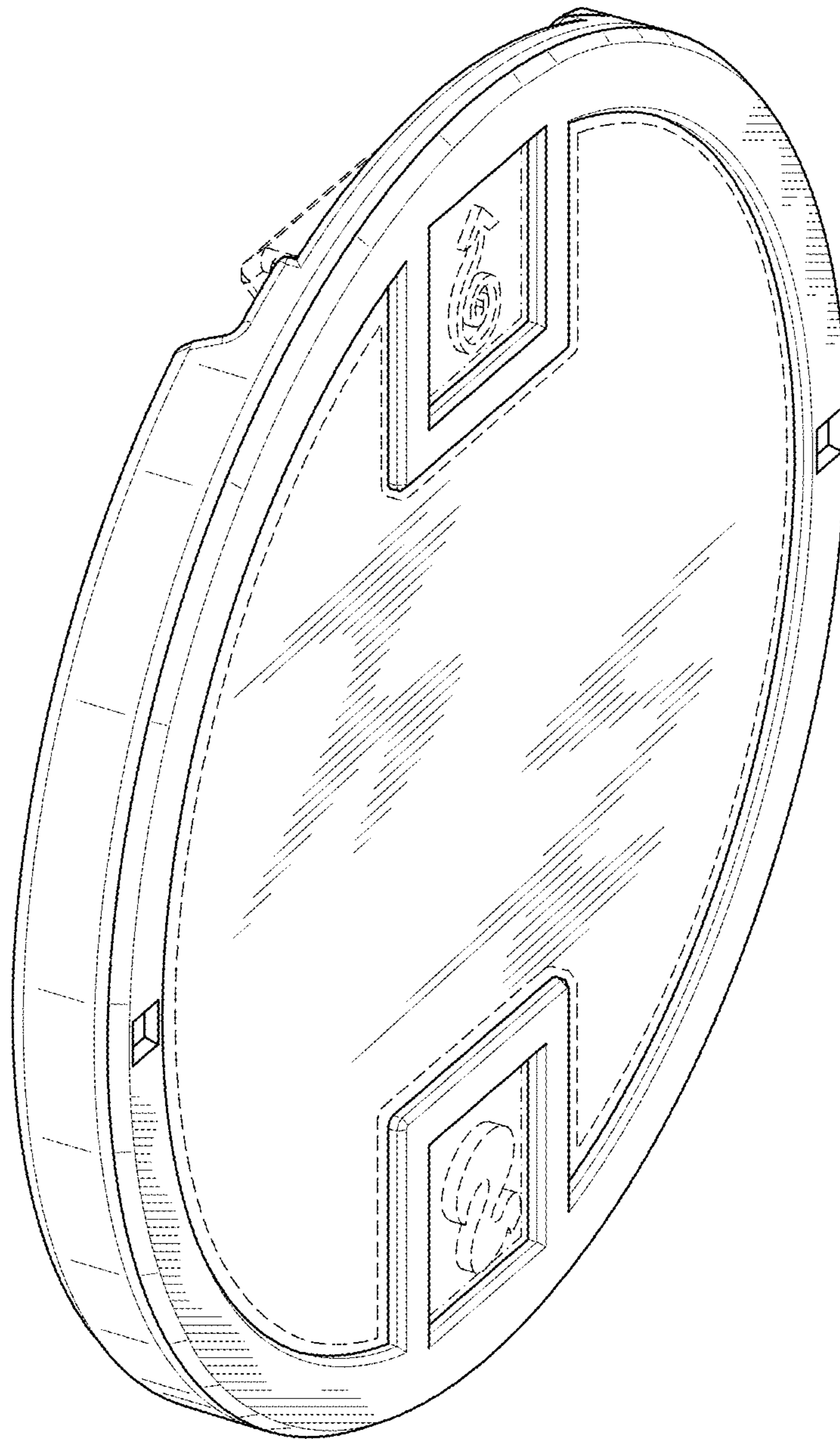


FIG. 1



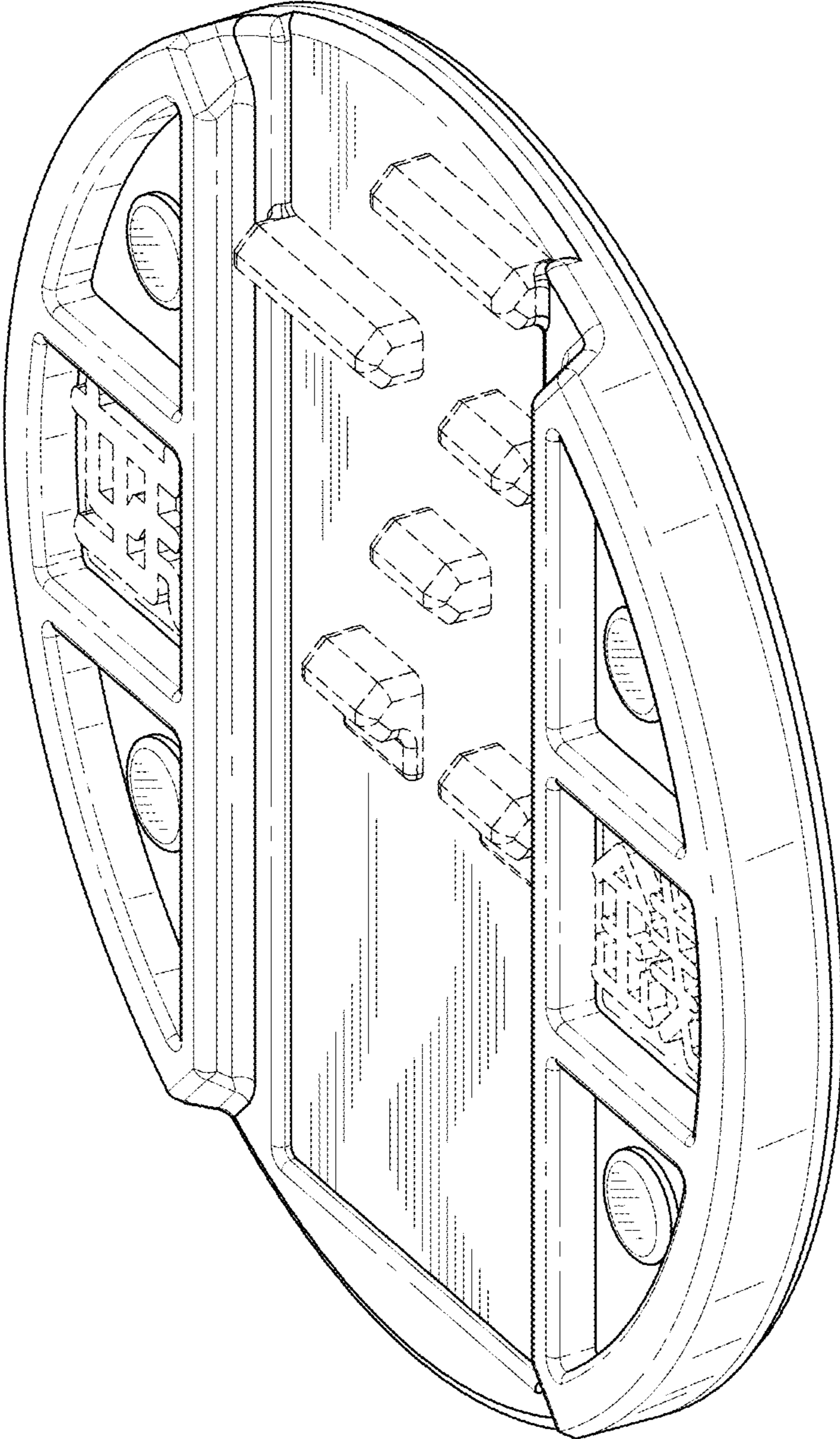


FIG. 2

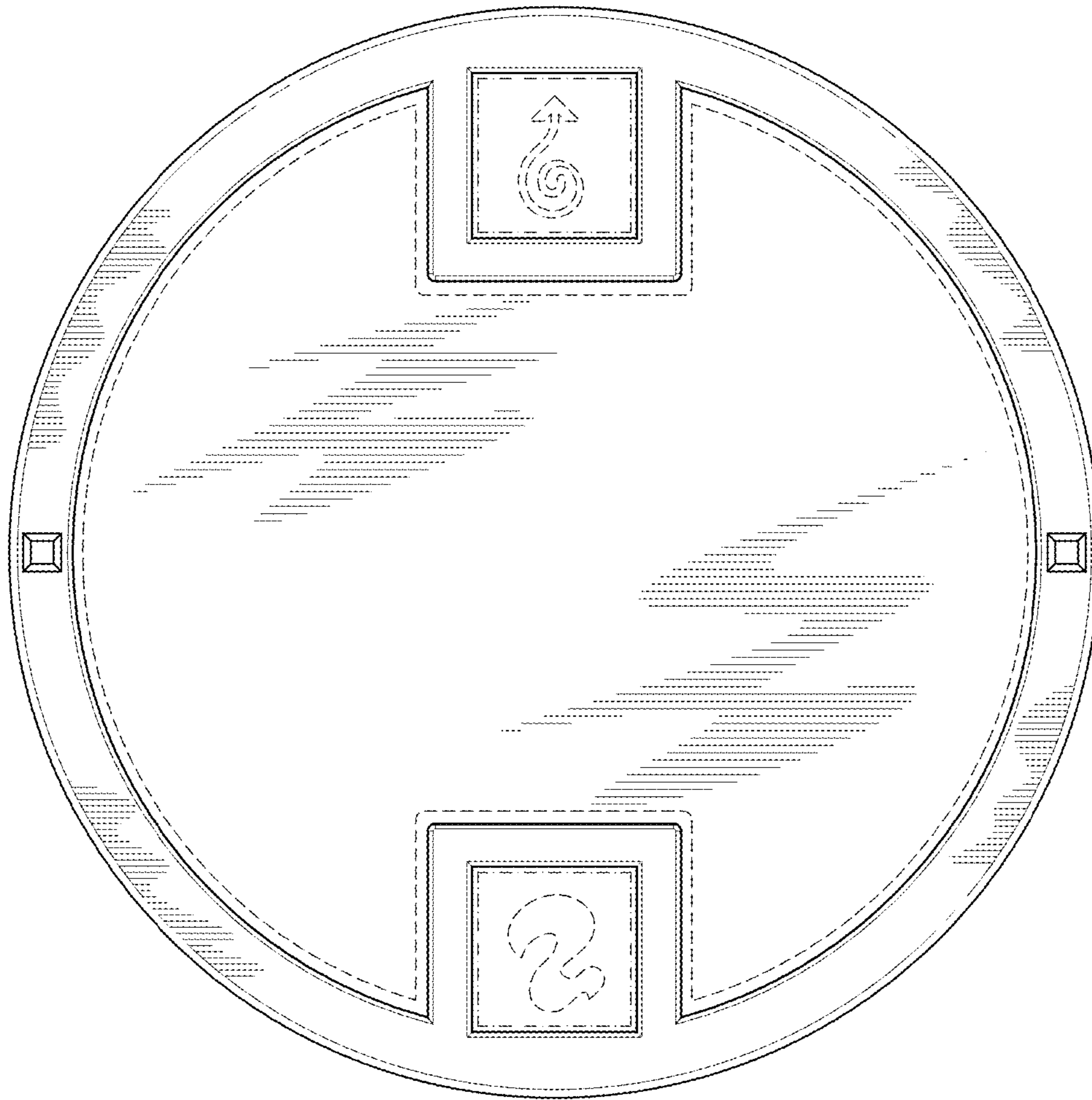


FIG. 3

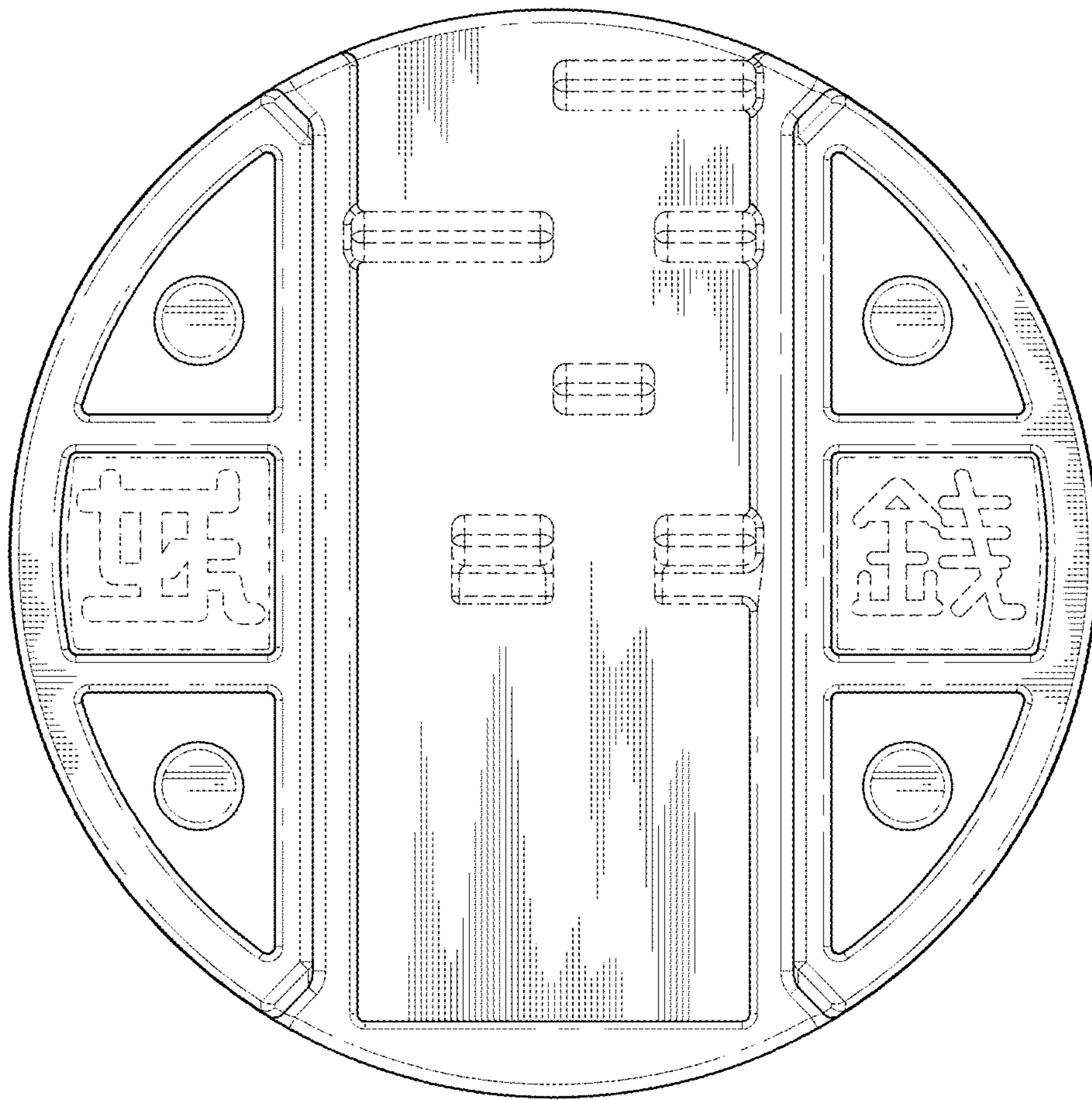


FIG. 4

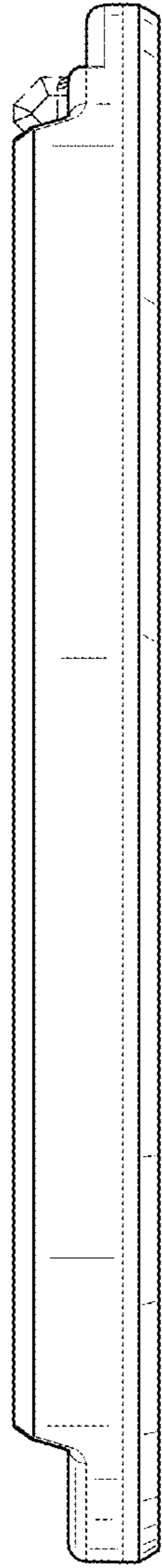


FIG. 5

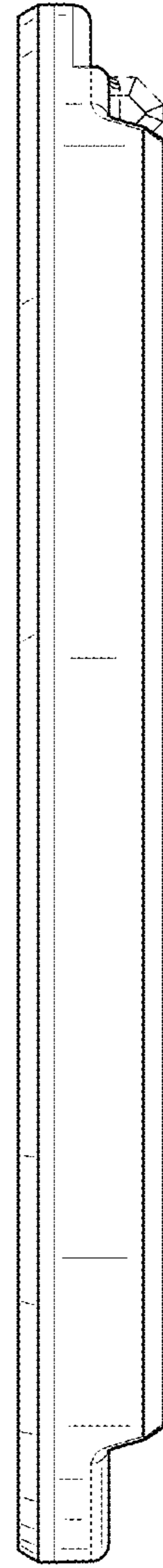


FIG. 6

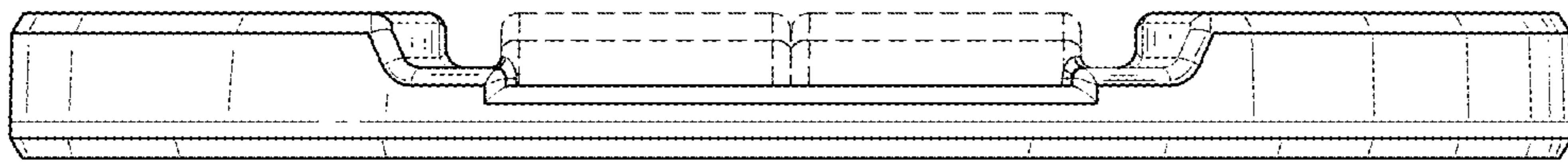


FIG. 7

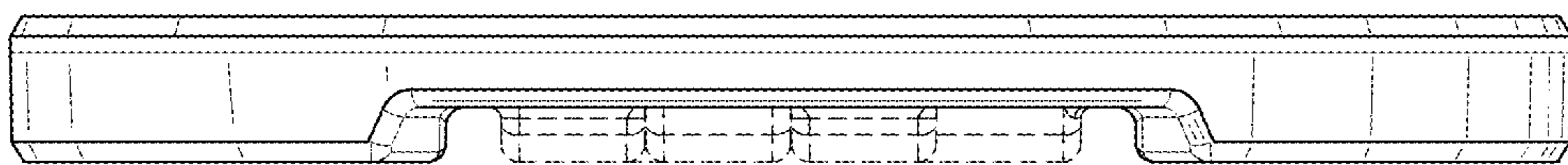


FIG. 8