



US00D774596S

(12) **United States Design Patent** (10) **Patent No.:** **US D774,596 S**
Kujawski et al. (45) **Date of Patent:** **** Dec. 20, 2016**

(54) **CONTROLLER**

(71) Applicant: **Microsoft Corporation**, Redmond, WA (US)

(72) Inventors: **Christopher Kujawski**, Seattle, WA (US); **Kenneth Jasinski**, Seattle, WA (US); **Carl J. Ledbetter**, Mercer Island, WA (US); **Andrew Kim**, Bellevue, WA (US)

(73) Assignee: **Microsoft Corporation**, Redmond, WA (US)

(**) Term: **15 Years**

(21) Appl. No.: **29/530,237**

(22) Filed: **Jun. 15, 2015**

(51) **LOC (10) Cl.** **21-01**

(52) **U.S. Cl.**

USPC **D21/333**

(58) **Field of Classification Search**

USPC D14/496, 401, 435, 474, 483, 217, D14/137, 138, 160, 168, 356, D14/203.1-203.8, 507; 345/156, 169, 345/173-179, 905; 715/727-729, 715/864, 700, 706, 719; 710/1, 5, 8; 713/1, 600; 455/1.1, 1.7, 73, 344-347, 93, 455/95, 3.01-3.06, 550.1, 573.1; 370/342-344; 369/1, 2, 6-12; 463/51-57, 463/40-47, 1, 29-35; D21/324, 328, 333; 273/148 B

CPC A63F 13/00; A63F 13/02; A63F 9/00; G06F 17/00; G06F 19/00

See application file for complete search history.

(56) **References Cited**

U.S. PATENT DOCUMENTS

D368,936 S * 4/1996 Goto D14/401
D398,214 S 9/1998 Yui
D415,752 S * 10/1999 Tyler D14/401
D424,047 S * 5/2000 Chan D14/401
D435,551 S 12/2000 Hayes

6,231,444 B1 5/2001 Goto et al.
D449,042 S 10/2001 Chung
D453,932 S 2/2002 Han et al.
6,463,159 B1 10/2002 Ming-Cheng
D467,922 S 12/2002 Lee
D476,376 S 6/2003 Wintersteiger
6,572,108 B1 6/2003 Bristow
6,743,100 B1 * 6/2004 Neiser A63F 13/06
273/148 B

(Continued)

FOREIGN PATENT DOCUMENTS

JP D1297485 4/2007
JP D1492113 2/2014

(Continued)

OTHER PUBLICATIONS

U.S. Appl. No. 29/530,098, filed Jun. 12, 2015.

(Continued)

Primary Examiner — Prabhakar Deshmukh

(74) *Attorney, Agent, or Firm* — Banner & Witcoff, Ltd.

(57)

CLAIM

The ornamental design for a controller, as shown and described.

DESCRIPTION

FIG. 1 is a front perspective view of a controller showing our new design;

FIG. 2 is a top view thereof;

FIG. 3 is an enlarged view of the design of FIG. 2;

FIG. 4 is a rear view of the controller shown in FIG. 1;

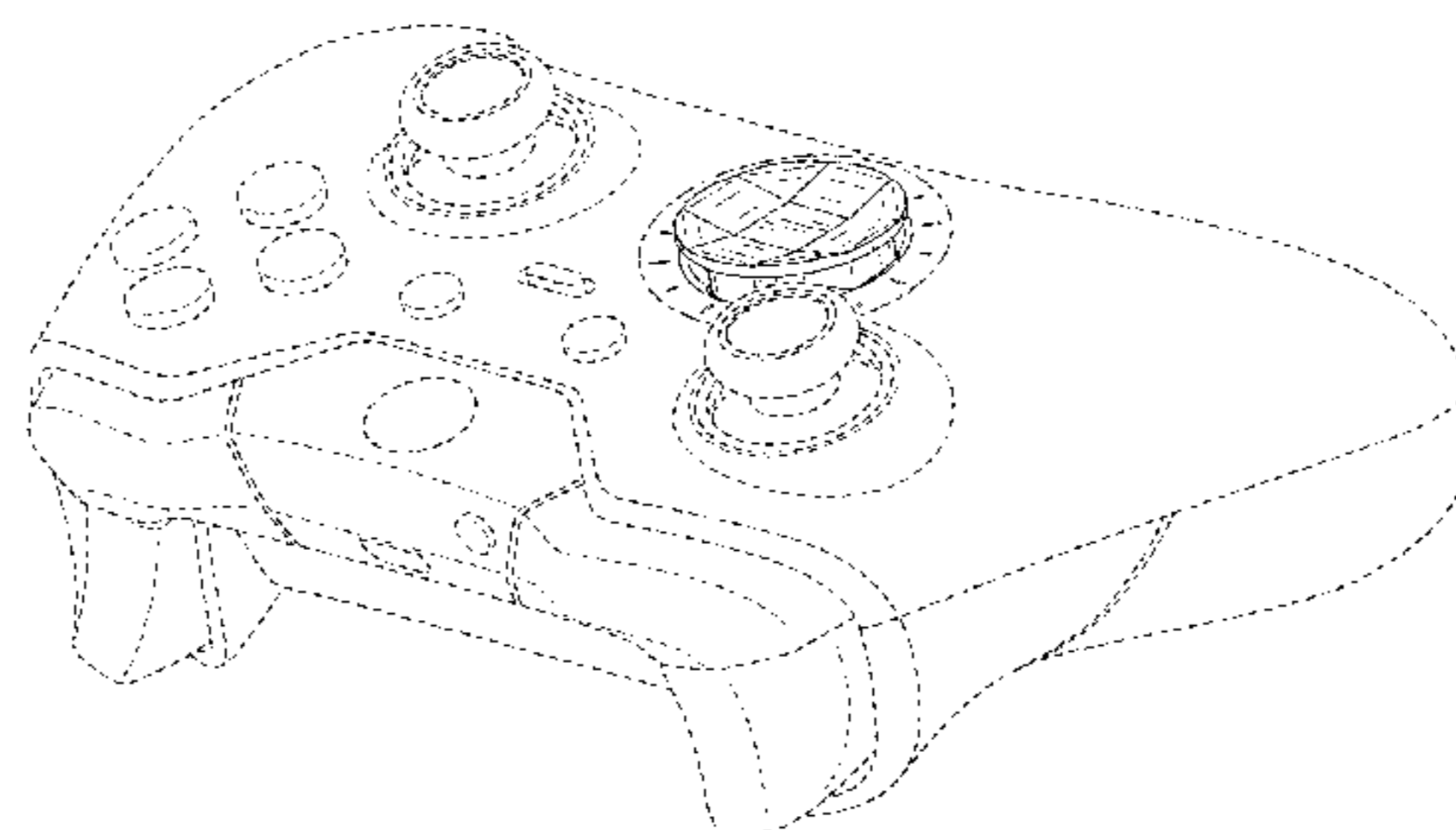
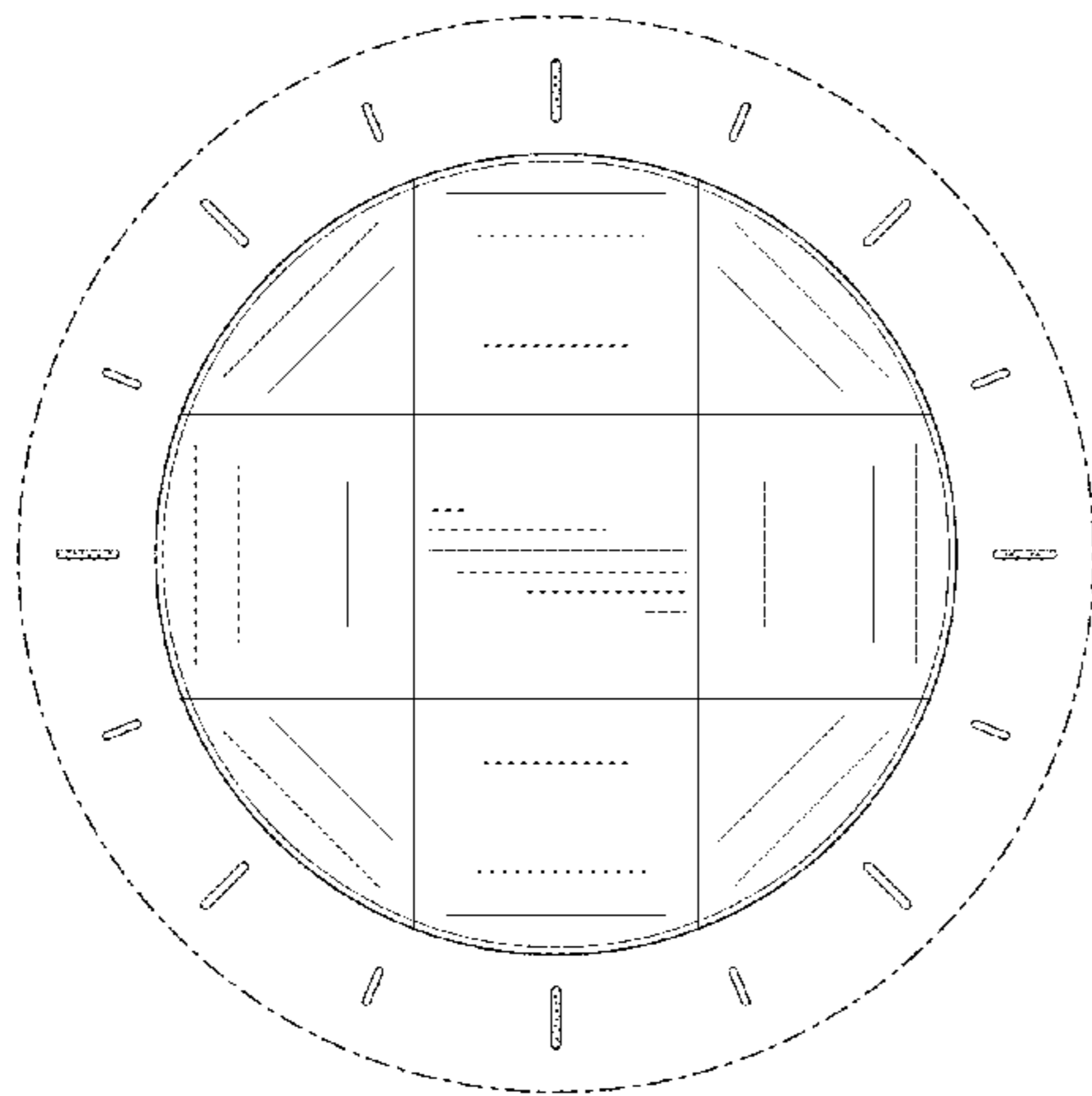
FIG. 5 is a front view thereof;

FIG. 6 is a right side view thereof; and,

FIG. 7 is a left side view thereof.

The uneven-length broken line in FIGS. 1-4 represents an unclaimed boundary of the design. The even length broken line showing of the remainder of the controller is for environmental purposes only and forms no part of the claimed design.

1 Claim, 7 Drawing Sheets



(56)

References Cited

FOREIGN PATENT DOCUMENTS

U.S. PATENT DOCUMENTS

6,956,559 B2 10/2005 Hagiwara et al.
 6,968,070 B1 11/2005 Chiang
 D521,015 S 5/2006 Hayes et al.
 D522,011 S 5/2006 Hayes et al.
 D522,012 S 5/2006 Hayes et al.
 7,063,321 B2 6/2006 Hussaini et al.
 7,105,754 B2 9/2006 Turner
 D533,011 S 12/2006 Pai
 7,195,561 B2 3/2007 Hussaini et al.
 7,235,012 B2 6/2007 DiDato
 D547,763 S * 7/2007 Hayes D14/401
 D556,201 S 11/2007 Ashida et al.
 7,314,413 B2 1/2008 Ogata et al.
 D563,480 S 3/2008 Blaseflug et al.
 D565,668 S 4/2008 Baseflug et al.
 D568,335 S 5/2008 Armstrong et al.
 D569,388 S 5/2008 Armstrong et al.
 D581,422 S 11/2008 Hayes et al.
 7,445,550 B2 11/2008 Barney et al.
 D601,564 S * 10/2009 Maeno D14/400
 D619,596 S 7/2010 Maitlen et al.
 7,762,553 B2 7/2010 Harris
 D624,049 S 9/2010 Liu
 7,887,768 B2 2/2011 Honjo et al.
 D636,773 S * 4/2011 Lin D14/401
 D637,153 S 5/2011 Ikeda et al.
 D638,016 S 5/2011 Ikeda
 D646,275 S 10/2011 Ikeda et al.
 D650,795 S 12/2011 Koehn
 D655,350 S 3/2012 Taniguchi et al.
 D658,178 S 4/2012 Ikeda et al.
 D658,179 S 4/2012 Ikeda et al.
 D659,140 S 5/2012 Ikeda et al.
 D667,892 S 9/2012 Burgess et al.
 D685,434 S 7/2013 Ali et al.
 8,487,876 B2 * 7/2013 Ikeda A63F 13/06
 273/148 B
 D692,001 S 10/2013 Ibuki et al.
 8,545,323 B2 * 10/2013 McVicar A63F 13/06
 345/161
 D692,887 S 11/2013 Ibuki et al.
 D694,830 S 12/2013 Crowley et al.
 D700,182 S 2/2014 Kidakarn
 8,641,525 B2 2/2014 Burgess et al.
 D707,758 S 6/2014 Norman et al.
 D708,615 S * 7/2014 Delrue D14/401
 D709,498 S 7/2014 Morris et al.
 D709,499 S 7/2014 Morris et al.
 D709,882 S 7/2014 Morris et al.
 D712,973 S 9/2014 Sumii et al.
 D715,865 S 10/2014 Morris et al.
 8,903,100 B2 * 12/2014 Hiraki H04R 29/001
 324/500
 8,903,111 B2 12/2014 Garet et al.
 8,925,414 B1 1/2015 Park et al.
 8,994,666 B2 3/2015 Karpfinger
 D730,451 S 5/2015 Burgess et al.
 9,029,721 B2 5/2015 Ikeda et al.
 9,053,243 B2 6/2015 Townsend
 D733,802 S 7/2015 Burgess et al.
 D736,322 S 8/2015 Navid
 9,118,750 B2 8/2015 Vossoughi et al.
 D748,734 S 2/2016 Burgess et al.
 9,251,701 B2 2/2016 Plagge et al.
 2006/0116204 A1 6/2006 Chen et al.

JP D1492115 3/2014
 JP D1549312 4/2016
 KR 30-0751062-000 7/2014
 TW D165793 2/2015

OTHER PUBLICATIONS

U.S. Appl. No. 29/530,106, filed Jun. 12, 2015.
 U.S. Appl. No. 29/530,225, filed Jun. 15, 2015.
 U.S. Appl. No. 29/530,102, filed Jun. 12, 2015.
 U.S. Appl. No. 29/530,110, filed Jun. 12, 2015.
 U.S. Appl. No. 29/530,122, filed Jun. 12, 2015.
 U.S. Appl. No. 29/530,108, filed Jun. 12, 2015.
 U.S. Appl. No. 29/530,111, filed Jun. 12, 2015.
 U.S. Appl. No. 29/530,112, filed Jun. 12, 2015.
 U.S. Appl. No. 29/530,113, filed Jun. 12, 2015.
 U.S. Appl. No. 29/530,114, filed Jun. 12, 2015.
 U.S. Appl. No. 29/530,115, filed Jun. 12, 2015.
 U.S. Appl. No. 29/530,116, filed Jun. 12, 2015.
 U.S. Appl. No. 29/530,120, filed Jun. 12, 2015.
 U.S. Appl. No. 29/530,285, filed Jun. 15, 2015.
 U.S. Appl. No. 29/530,243, filed Jun. 15, 2015.
 U.S. Appl. No. 29/543,963, filed Oct. 29, 2015.
 U.S. Appl. No. 29/543,976, filed Oct. 29, 2015.
 U.S. Appl. No. 29/543,897, filed Oct. 29, 2015.
 U.S. Appl. No. 29/543,902, filed Oct. 29, 2015.
 U.S. Appl. No. 29/543,904, filed Oct. 29, 2015.
 U.S. Appl. No. 29/543,910, filed Oct. 29, 2015.
 U.S. Appl. No. 29/543,914, filed Oct. 29, 2015.
 U.S. Appl. No. 29/543,958, filed Oct. 29, 2015.
 U.S. Appl. No. 29/543,931, filed Oct. 29, 2015.
 U.S. Appl. No. 29/543,968, filed Oct. 29, 2015.
 Side-by-side: Xbox One Gamepad vs Xbox 360 gamepad (Jun. 11, 2013), <http://www.techradar.com/us/news/gaming/consoles/side-by-side-xbox-one-gamepad-vs-xbox-360-gamepad-1158091>.
 May 2, 2016—(US) Notice of Allowance—U.S. Appl. No. 29/530,225, filed Jun. 15, 2015; Inv: Christopher Kujawski.
 May 11, 2016—(US) Restriction Requirement—U.S. Appl. No. 29/530,106, filed Jun. 15, 2015; Inv: Christopher Kujawski.
 May 10, 2016—(US) Restriction Requirement—U.S. Appl. No. 29/530,098, filed Jun. 15, 2015; Inv: Christopher Kujawski.
 May 17, 2016—(US) Notice of Allowance—U.S. Appl. No. 29/530,102, filed Jun. 12, 2015; Inv: Christopher Kujawski.
 May 6, 2016—(US) Notice of Allowance—U.S. Appl. No. 29/530,110, filed Jun. 12, 2015; Inv: Christopher Kujawski.
 May 5, 2016—(US) Notice of Allowance—U.S. Appl. No. 29/530,108, filed Jun. 12, 2015; Inv: Christopher Kujawski.
 May 2, 2016—(US) Notice of Allowance—U.S. Appl. No. 29/530,122, filed Jun. 12, 2015; Inv: Christopher Kujawski.
 Apr. 26, 2016—(US) Notice of Allowance—U.S. Appl. No. 29/530,111, filed Jun. 12, 2015; Inv: Christopher Kujawski.
 Apr. 11, 2016—(US) Notice of Allowance—U.S. Appl. No. 29/530,113, filed Jun. 12, 2015; Inv: Christopher Kujawski.
 Apr. 14, 2016—(US) Non-Final Office Action—U.S. Appl. No. 29/530,114, filed Jun. 12, 2015; Inv: Christopher Kujawski.
 Apr. 11, 2016—(US) Notice of Allowance—U.S. Appl. No. 29/530,115, filed Jun. 12, 2015; Inv: Christopher Kujawski.
 May 6, 2016—(US) Notice of Allowance—U.S. Appl. No. 29/530,116, filed Jun. 12, 2015; Inv: Christopher Kujawski.
 May 2, 2016—(US) Notice of Allowance—U.S. Appl. No. 29/530,120, filed Jun. 12, 2015; Inv: Christopher Kujawski.
 May 6, 2016—(US) Notice of Allowance—U.S. Appl. No. 29/530,285, filed Jun. 15, 2015; Inv: Christopher Kujawski.
 Jun. 22, 2016—(US) Notice of Allowance—U.S. Appl. No. 29/530,243, filed Jun. 12, 2015; Inv: Christopher Kujawski.

* cited by examiner

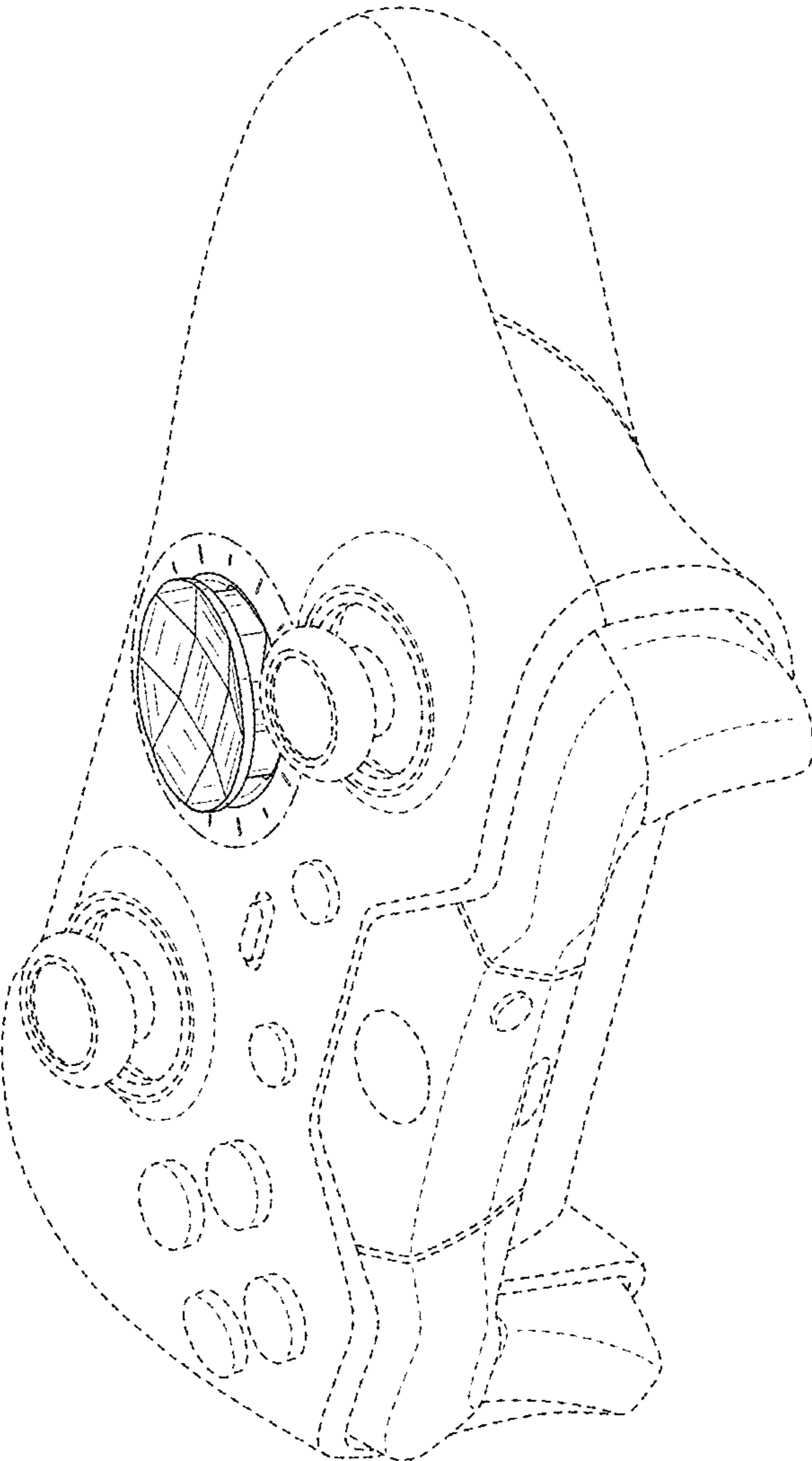


FIG. 1

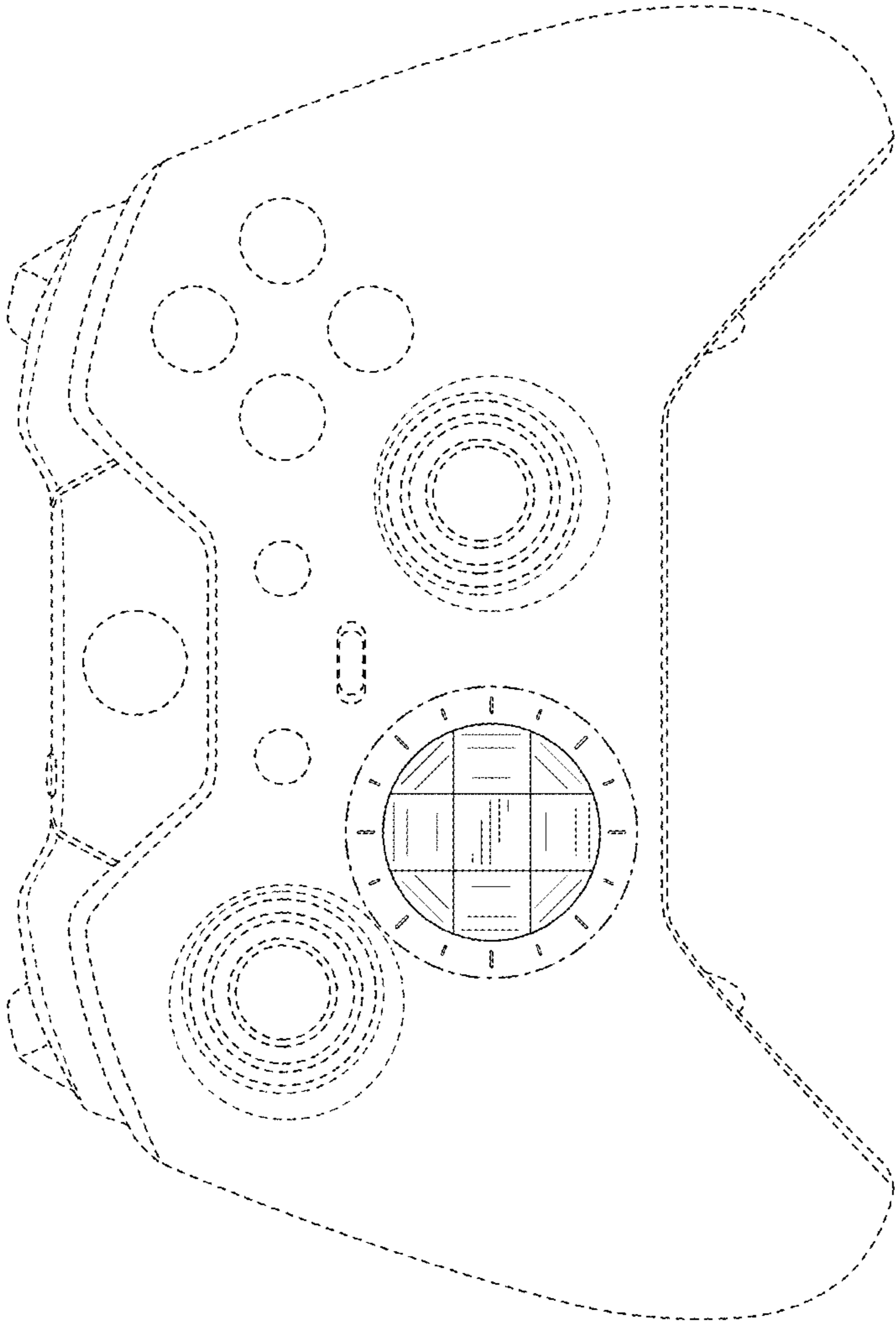


FIG. 2

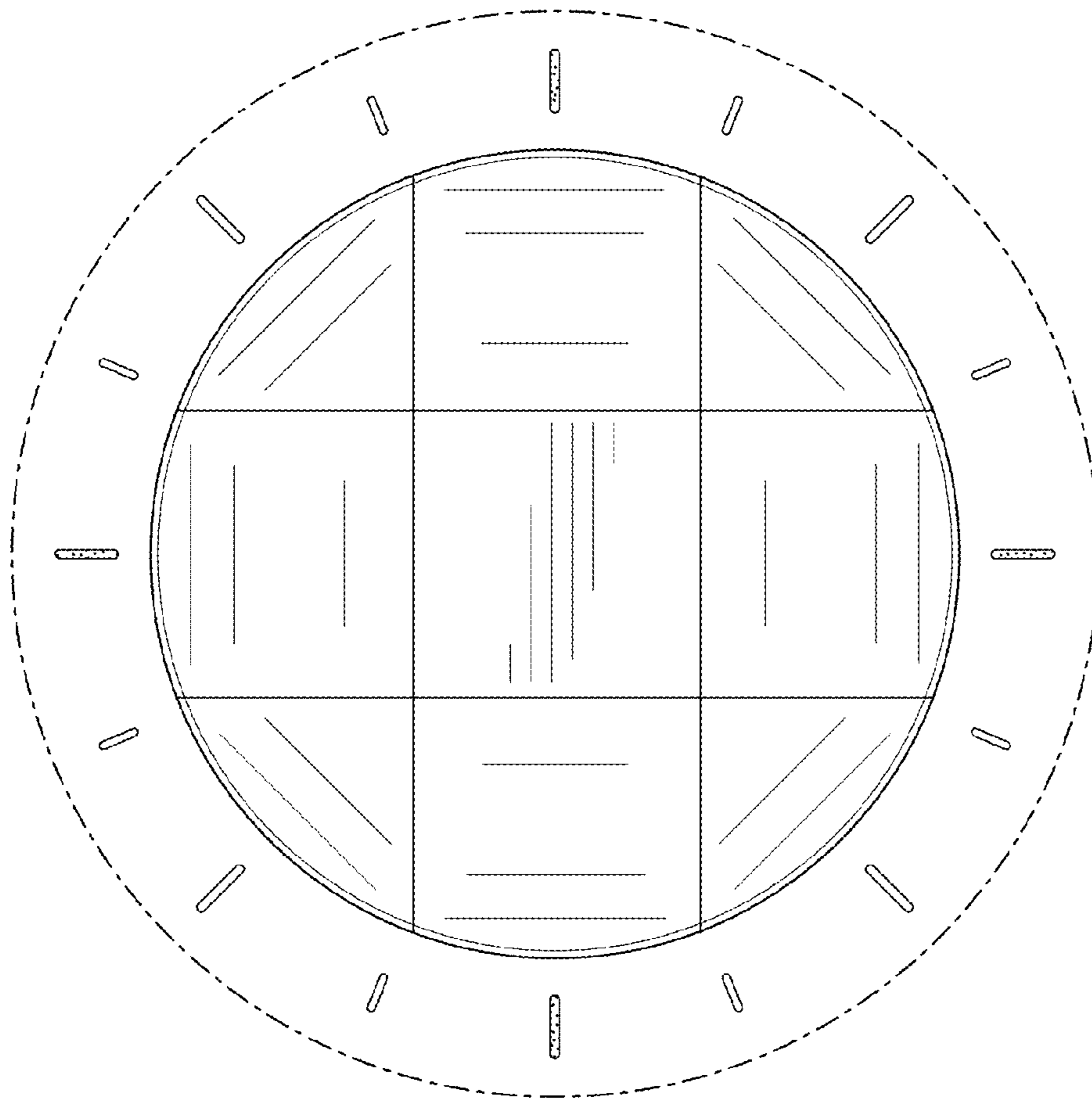


FIG. 3

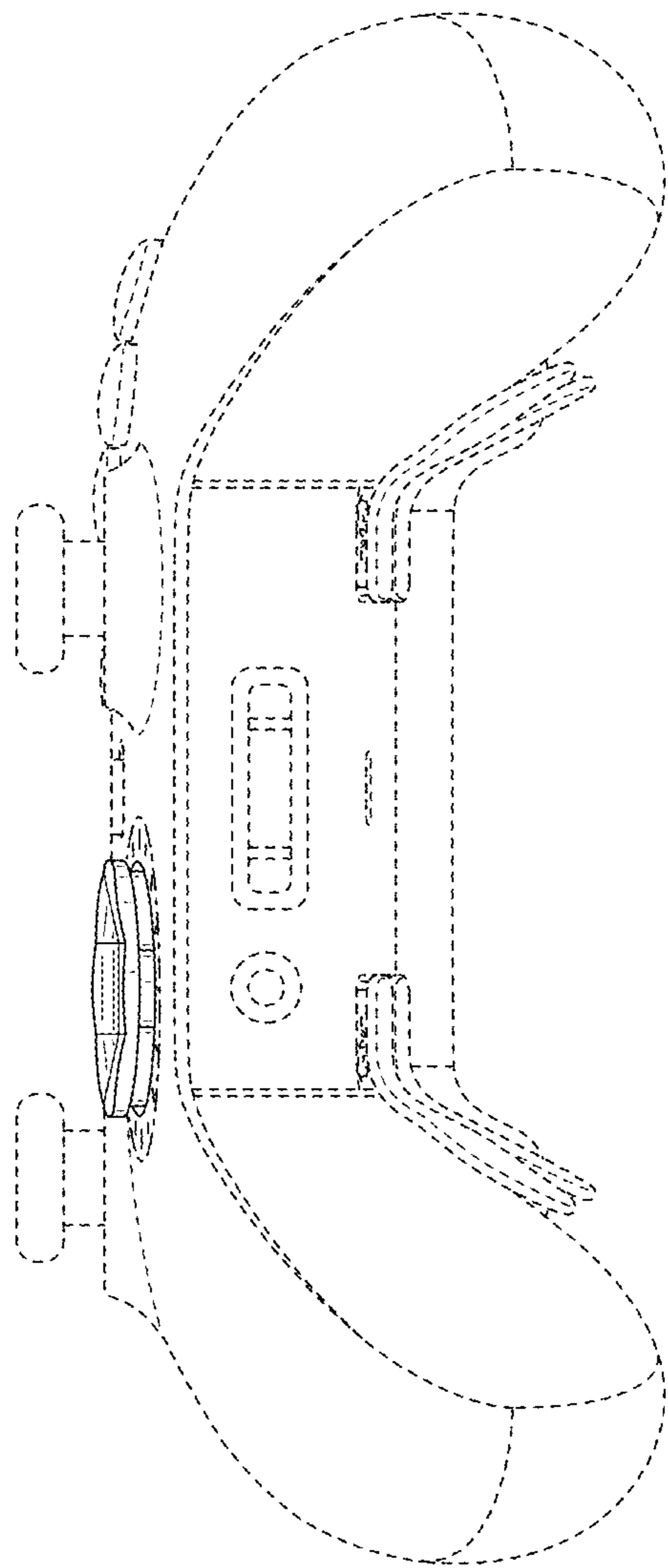


FIG. 4

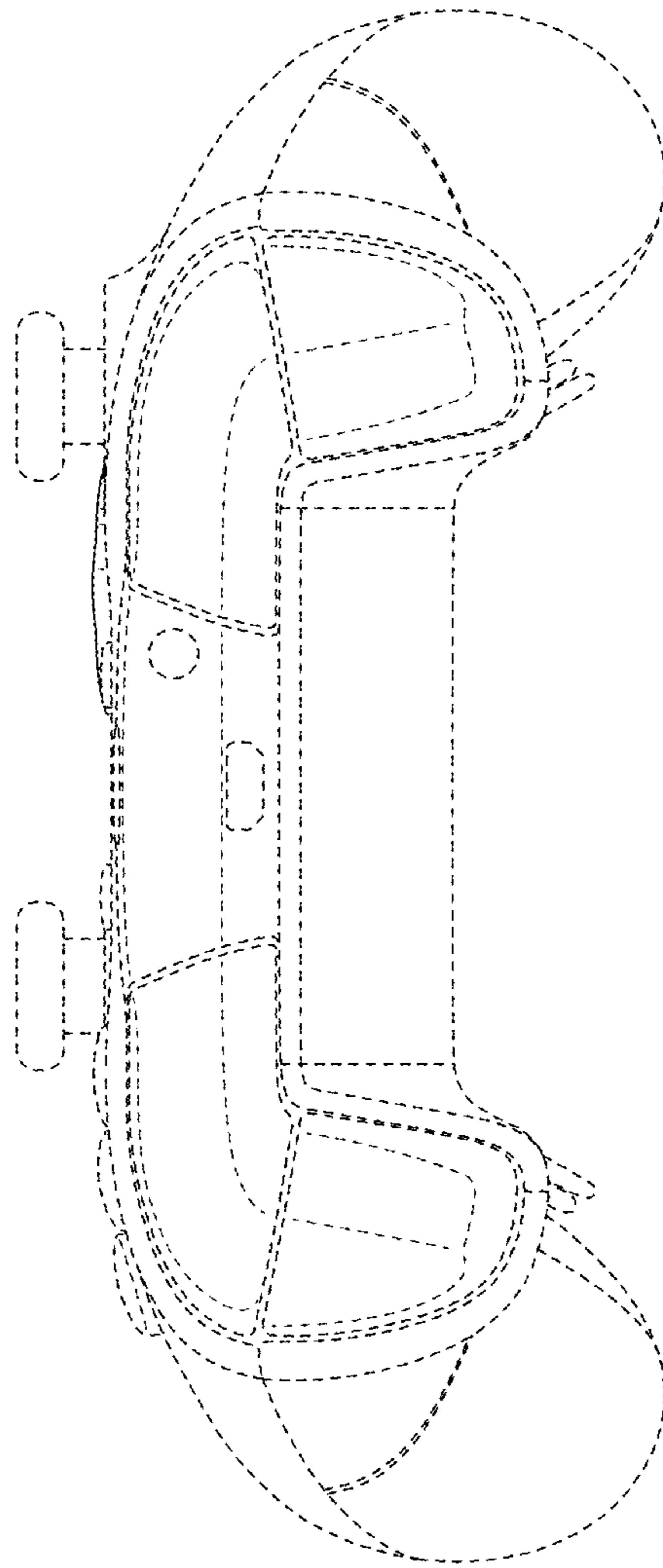


FIG. 5

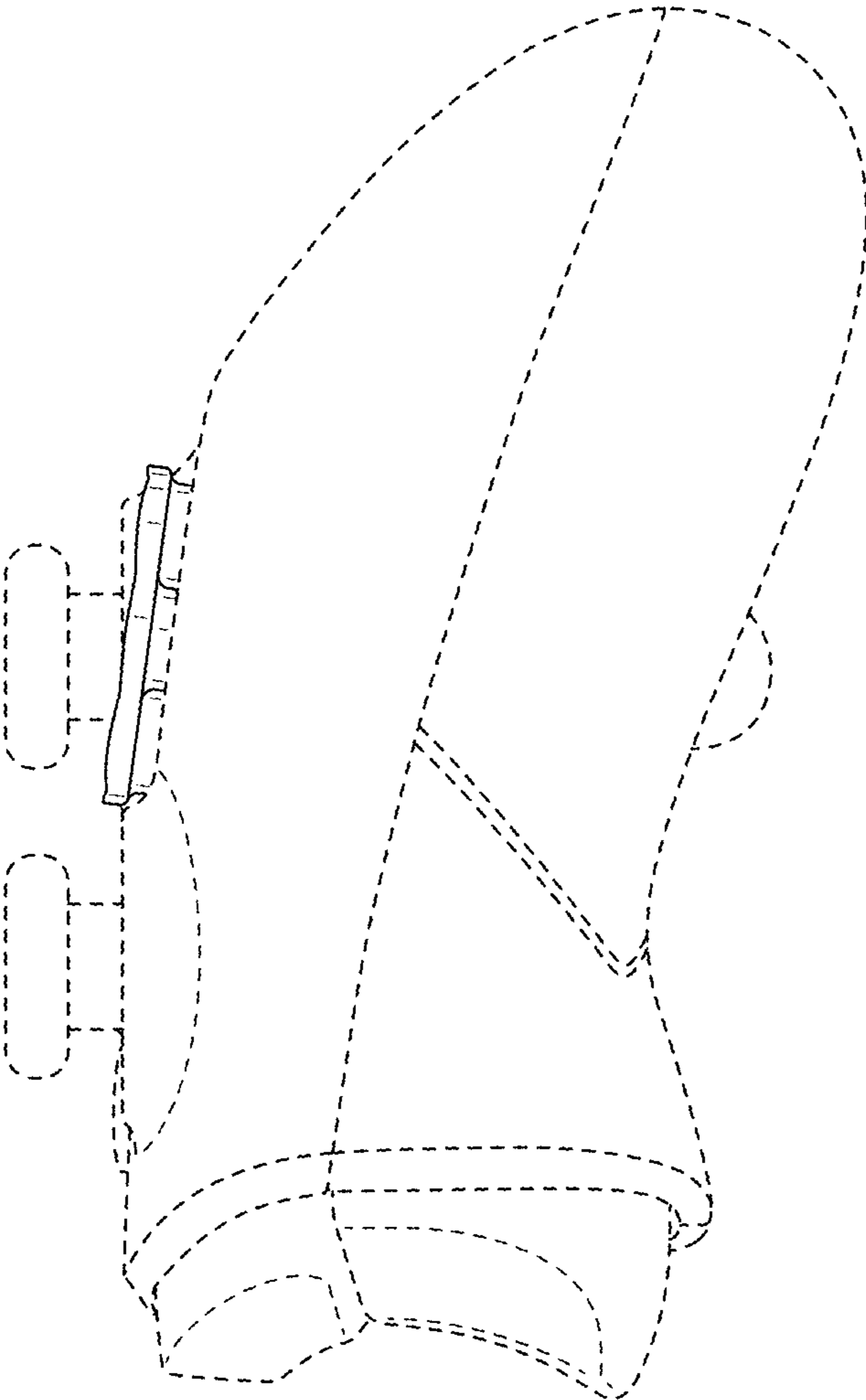


FIG. 6

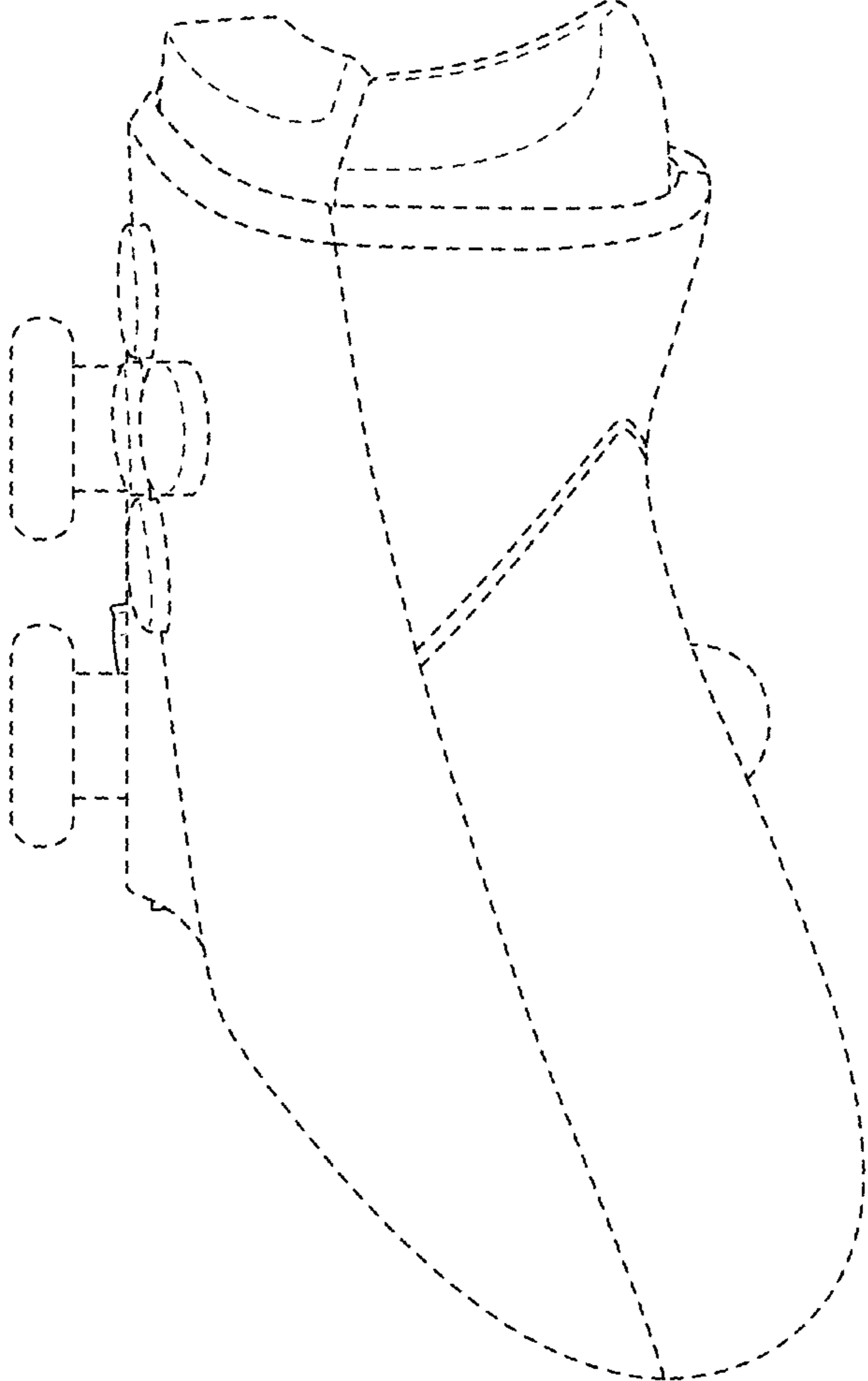


FIG. 7