



US00D774594S

(12) **United States Design Patent**  
**Lau et al.**

(10) **Patent No.:** **US D774,594 S**

(45) **Date of Patent:** **\*\* Dec. 20, 2016**

- (54) **CLIP**
- (71) Applicants: **Janet K. Lau**, Union City, CA (US);  
**Dara Kaneko Woo**, Saratoga, CA (US)
- (72) Inventors: **Janet K. Lau**, Union City, CA (US);  
**Dara Kaneko Woo**, Saratoga, CA (US)
- (\*\*) Term: **15 Years**
- (21) Appl. No.: **29/528,149**
- (22) Filed: **May 26, 2015**
- (51) **LOC (10) Cl.** ..... **19-02**
- (52) **U.S. Cl.**  
USPC ..... **D19/65**
- (58) **Field of Classification Search**  
USPC ..... D3/211; D8/356, 382, 395; D11/104,  
D11/204, 205, 211, 217, 218, 219;  
D19/65, 86, D19/99, 100; D20/31, 43;  
D21/578, 617  
CPC ..... B42F 1/02; B42F 1/04; B42F 1/06;  
B42F 1/08; B42F 1/10; Y10T 24/44983;  
B42D 9/00; B42D 9/005  
See application file for complete search history.

- 4,914,791 A \* 4/1990 Lorber ..... B42F 1/10  
24/563
- D311,212 S \* 10/1990 Tsuji ..... D19/65
- D316,110 S \* 4/1991 Lorber ..... D19/100
- 5,010,629 A \* 4/1991 Hirzel ..... B42F 1/02  
24/547
- 5,214,825 A \* 6/1993 Hirzel ..... B42F 1/02  
24/547
- 5,704,724 A \* 1/1998 Karlis ..... B42F 1/06  
281/38
- D434,306 S \* 11/2000 Brown ..... D8/373
- 6,254,136 B1 \* 7/2001 Patel ..... B42D 9/00  
116/234
- D452,881 S \* 1/2002 Chien ..... D19/34
- D463,824 S \* 10/2002 Kan ..... D19/65
- D464,994 S \* 10/2002 Rosen ..... D19/65
- D467,973 S \* 12/2002 Rosen ..... D19/65
- D468,357 S \* 1/2003 Rosen ..... D19/65
- D479,558 S \* 9/2003 Lorber ..... D19/65
- D489,410 S \* 5/2004 Ivey ..... D19/65
- D609,273 S \* 2/2010 Koreska ..... D19/124
- 8,074,325 B2 \* 12/2011 Gerfast ..... B42F 1/06  
24/67 R
- 2002/0166497 A1 \* 11/2002 Rae ..... B42D 9/005  
116/237

\* cited by examiner

*Primary Examiner* — Elizabeth Albert

(74) *Attorney, Agent, or Firm* — Aka Chan LLP

(56) **References Cited**

U.S. PATENT DOCUMENTS

- 399,768 A \* 3/1889 Mehrer ..... B42D 9/008  
116/235
- 893,353 A \* 7/1908 McGill ..... D06F 55/00  
116/237
- 1,528,438 A \* 3/1925 Lauterbur ..... B42F 1/08  
24/562
- D263,243 S \* 3/1982 Creamer ..... D19/34
- D268,848 S \* 5/1983 Lorber ..... D19/65
- D270,169 S \* 8/1983 Greene ..... D19/59

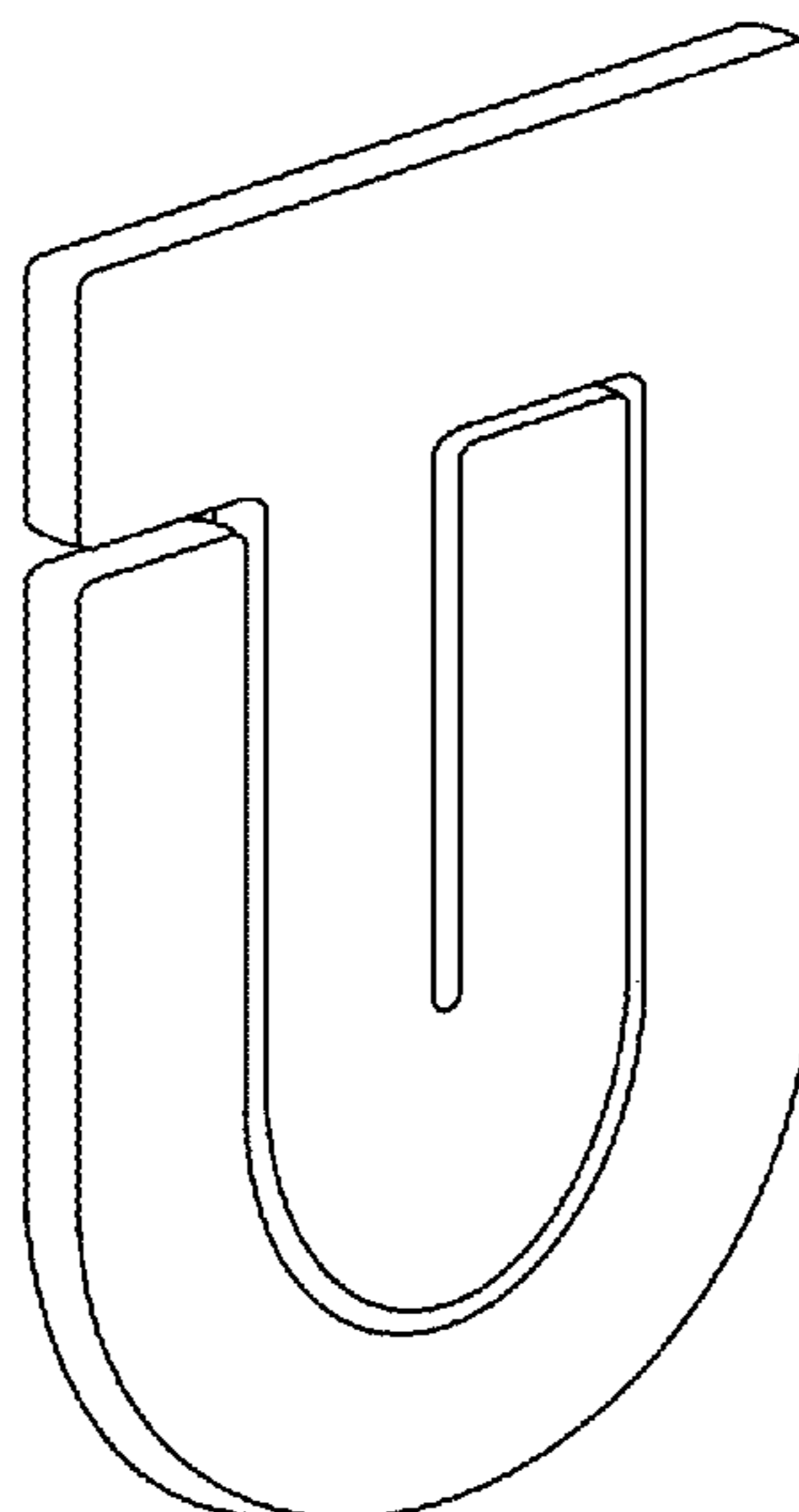
(57) **CLAIM**

The ornamental design for a clip, as shown and described.

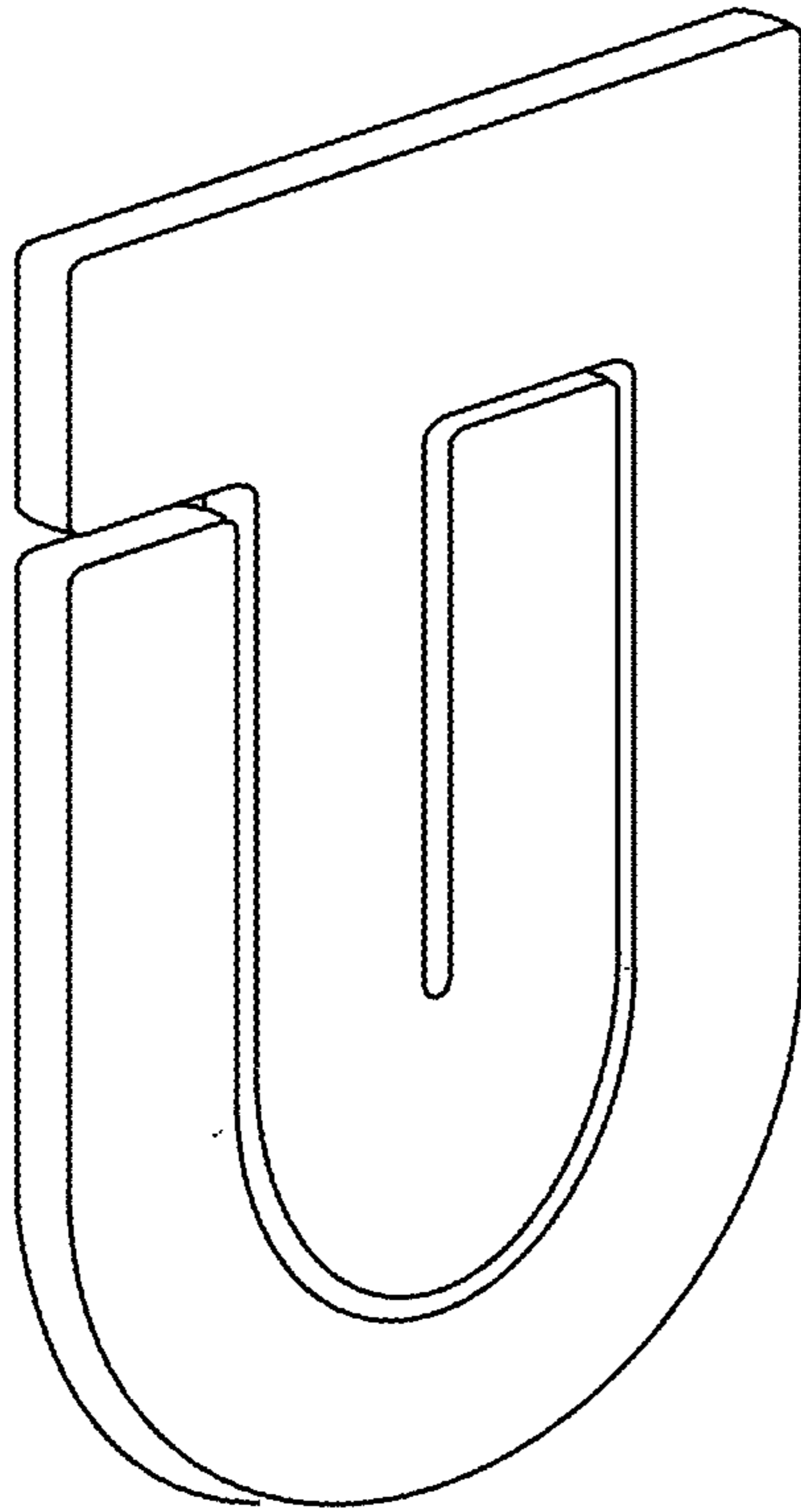
**DESCRIPTION**

FIG. 1 shows a perspective view of a design of a clip.  
 FIG. 2 shows a front view of the clip.  
 FIG. 3 shows a top view of the clip.  
 FIG. 4 shows a left-side view of the clip; and,  
 FIG. 5 shows a right-side view of the clip.

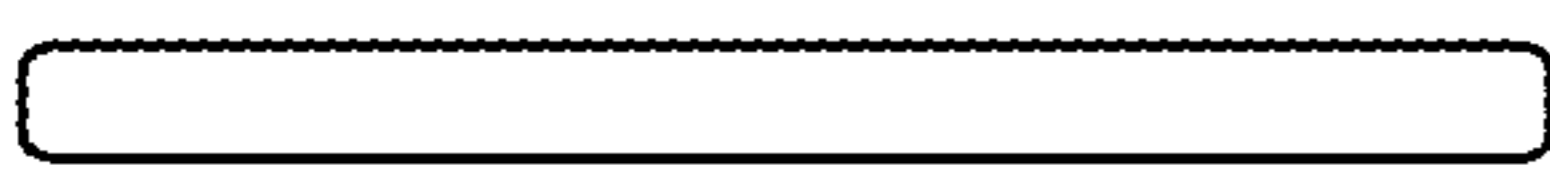
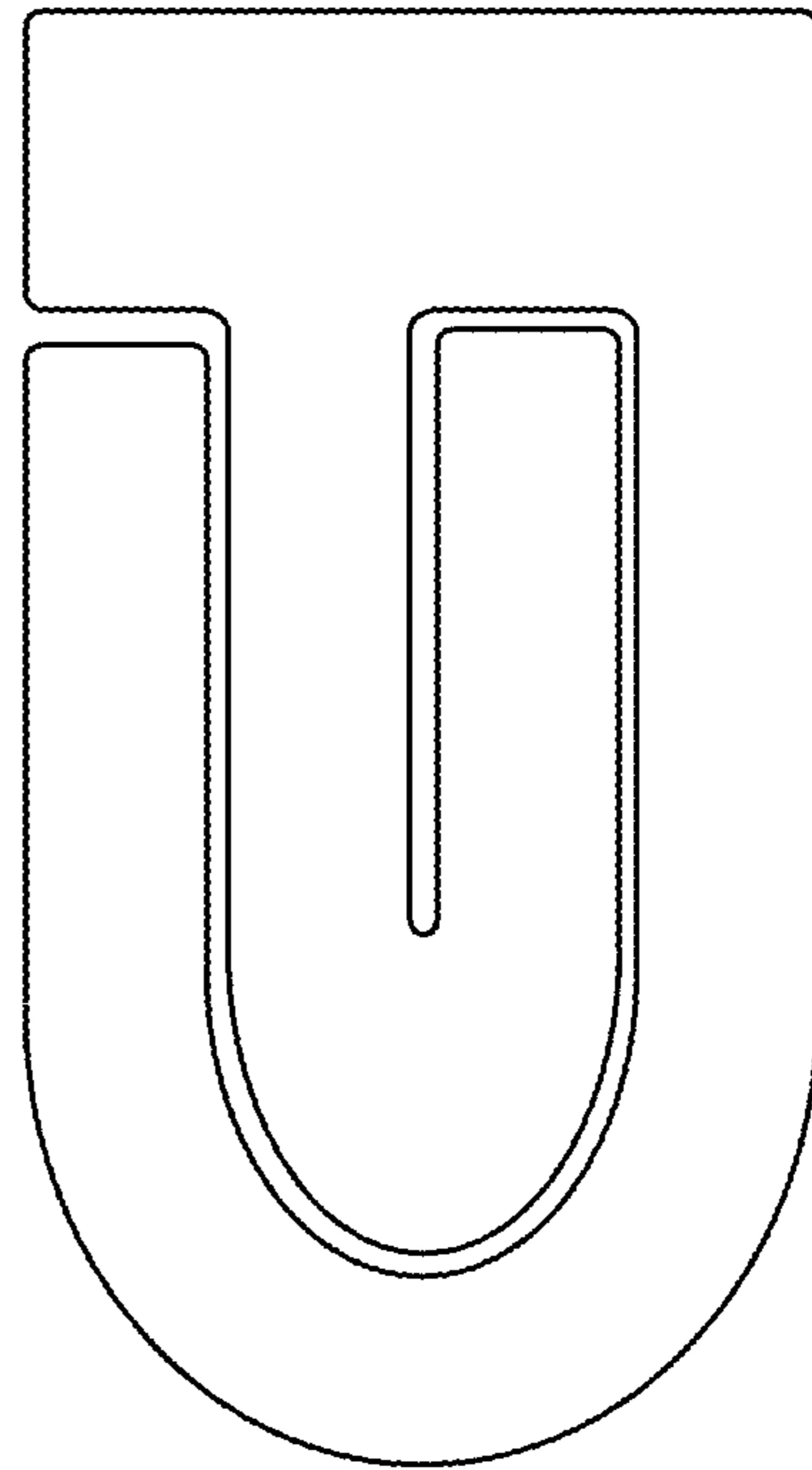
**1 Claim, 1 Drawing Sheet**



*FIG. 1*

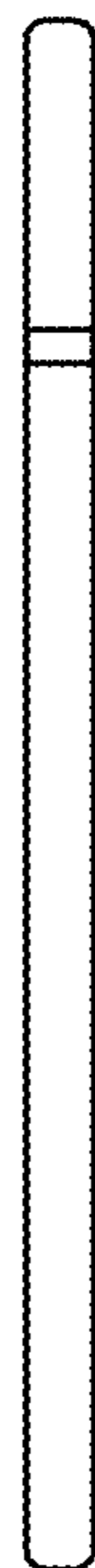


*FIG. 2*



*FIG. 3*

*FIG. 4*



*FIG. 5*

