



US00D774592S

(12) **United States Design Patent** (10) **Patent No.:** **US D774,592 S**
Lee et al. (45) **Date of Patent:** **** Dec. 20, 2016**

(54) **CARTRIDGE FOR PRINTER**

(56) **References Cited**

(71) Applicant: **Samsung Electronics Co., Ltd.**,
Suwon-si (KR)
(72) Inventors: **Seung-Gweon Lee**, Suwon-si (KR);
Young-Chae Kim, Seoul (KR);
Sang-Hoon Lee, Suwon-si (KR);
Ki-Hyun Yoo, Suwon-si (KR); **Ho-Jin**
Jang, Suwon-si (KR)
(73) Assignee: **Samsung Electronics Co., Ltd.**,
Suwon-si (KR)
(**) Term: **14 Years**
(21) Appl. No.: **29/510,645**
(22) Filed: **Dec. 2, 2014**

U.S. PATENT DOCUMENTS

D356,331 S	3/1995	Ishibashi et al.	
D401,615 S	11/1998	Goto et al.	
D423,043 S	4/2000	Ishigami et al.	
D471,583 S	3/2003	Okabe et al.	
D584,345 S	1/2009	Choi et al.	
D584,765 S	1/2009	Park et al.	
7,645,025 B2 *	1/2010	Silverbrook	B41J 2/17513 347/86
D636,433 S	4/2011	Kim	
D637,226 S	5/2011	Sakuma et al.	
D642,610 S	8/2011	Gault et al.	
D645,503 S	9/2011	Carter, II et al.	
D652,862 S	1/2012	Mori et al.	
8,208,831 B2	6/2012	Kim	
D694,815 S	12/2013	Fukamachi et al.	
D727,411 S *	4/2015	Moon	D18/43

* cited by examiner

Primary Examiner — Cathy Anne MacCormac

(74) *Attorney, Agent, or Firm* — NSIP Law

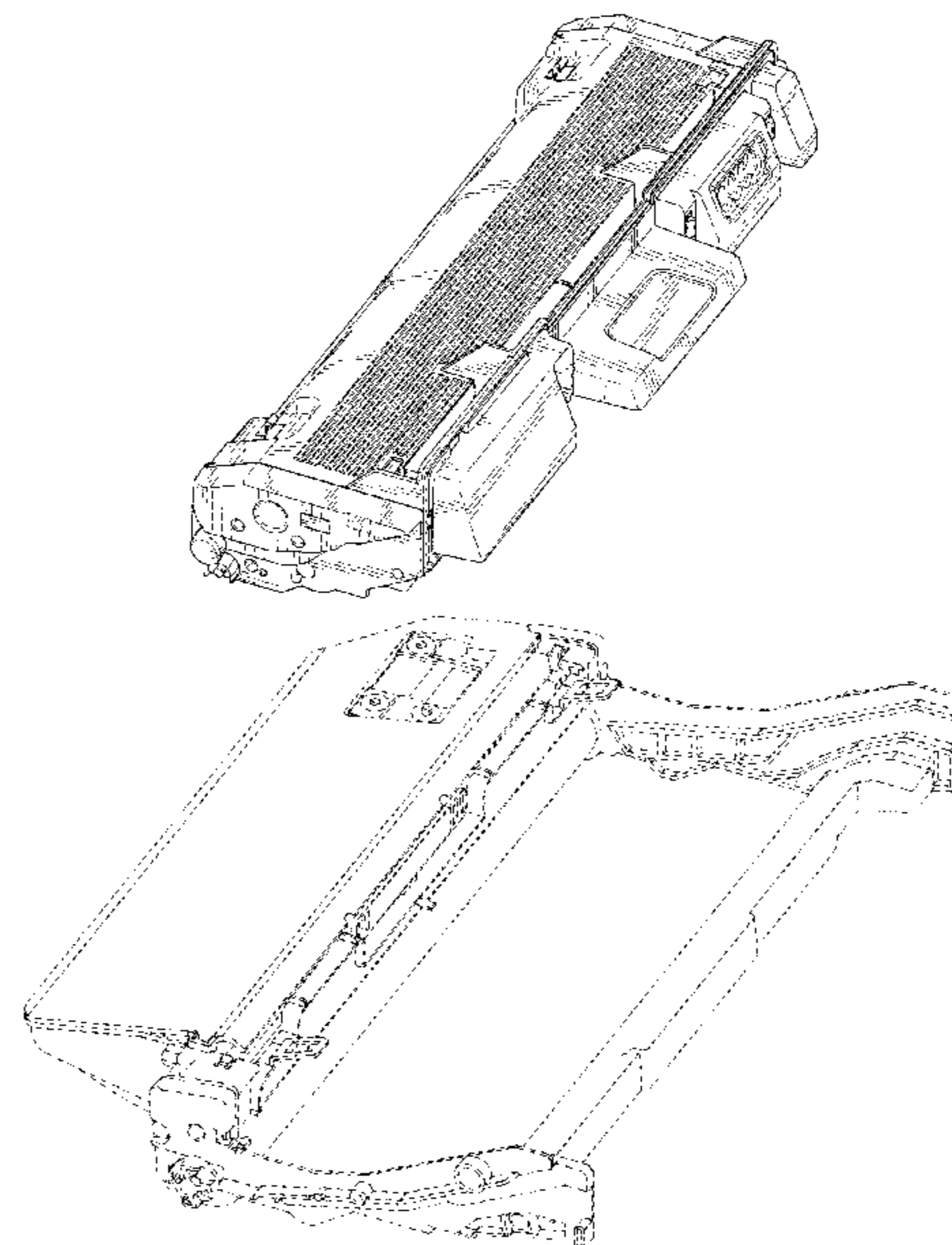
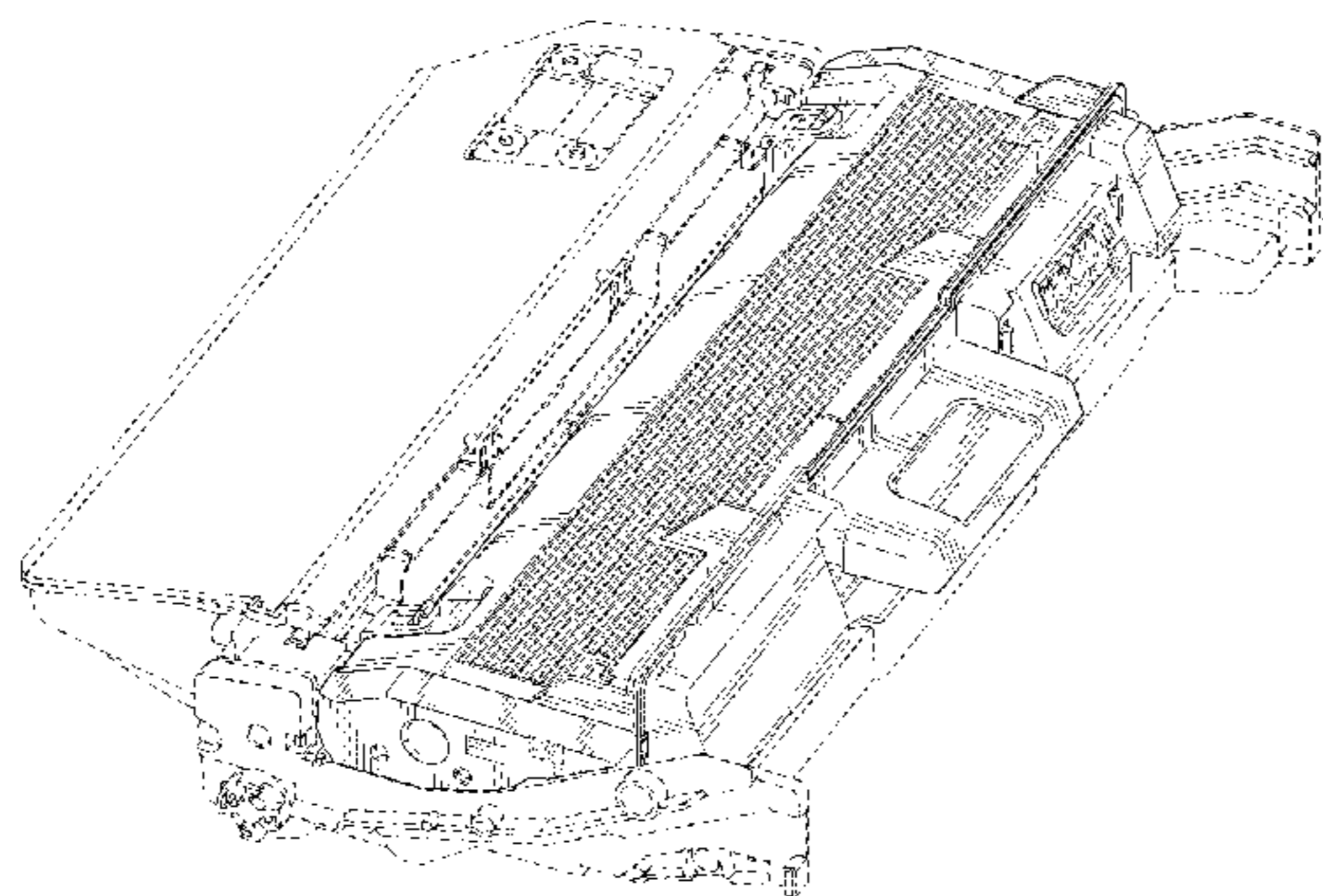
(57) **CLAIM**

We claim the ornamental design for a cartridge for printer, as shown and described.

DESCRIPTION

FIG. 1 is a front perspective view of a cartridge for printer, showing our new design;
FIG. 2 is a front view thereof;
FIG. 3 is a rear view thereof;
FIG. 4 is a left-side view thereof;
FIG. 5 is a right-side view thereof;
FIG. 6 is a top view thereof;
FIG. 7 is a bottom view thereof; and,
FIG. 8 is an exploded front perspective view thereof.
The broken lines depict environmental subject matter and form no part of the claimed design.

1 Claim, 8 Drawing Sheets



Related U.S. Application Data

(63) Continuation of application No. 29/458,542, filed on Jun. 20, 2013, now Pat. No. Des. 728,014.

(30) **Foreign Application Priority Data**

Dec. 24, 2012 (KR) 30-2012-0061842

(51) **LOC (10) Cl.** **18-02**

(52) **U.S. Cl.**
USPC **D18/56**

(58) **Field of Classification Search**
USPC D18/12, 40, 43, 56; D14/471, 484
CPC B41J 2/17513; B41J 15/042; B41J 25/316;
G03G 15/0837; G03G 15/0839; G03G
15/0896; G03G 21/1853; G11B 23/08735
See application file for complete search history.

FIG. 1

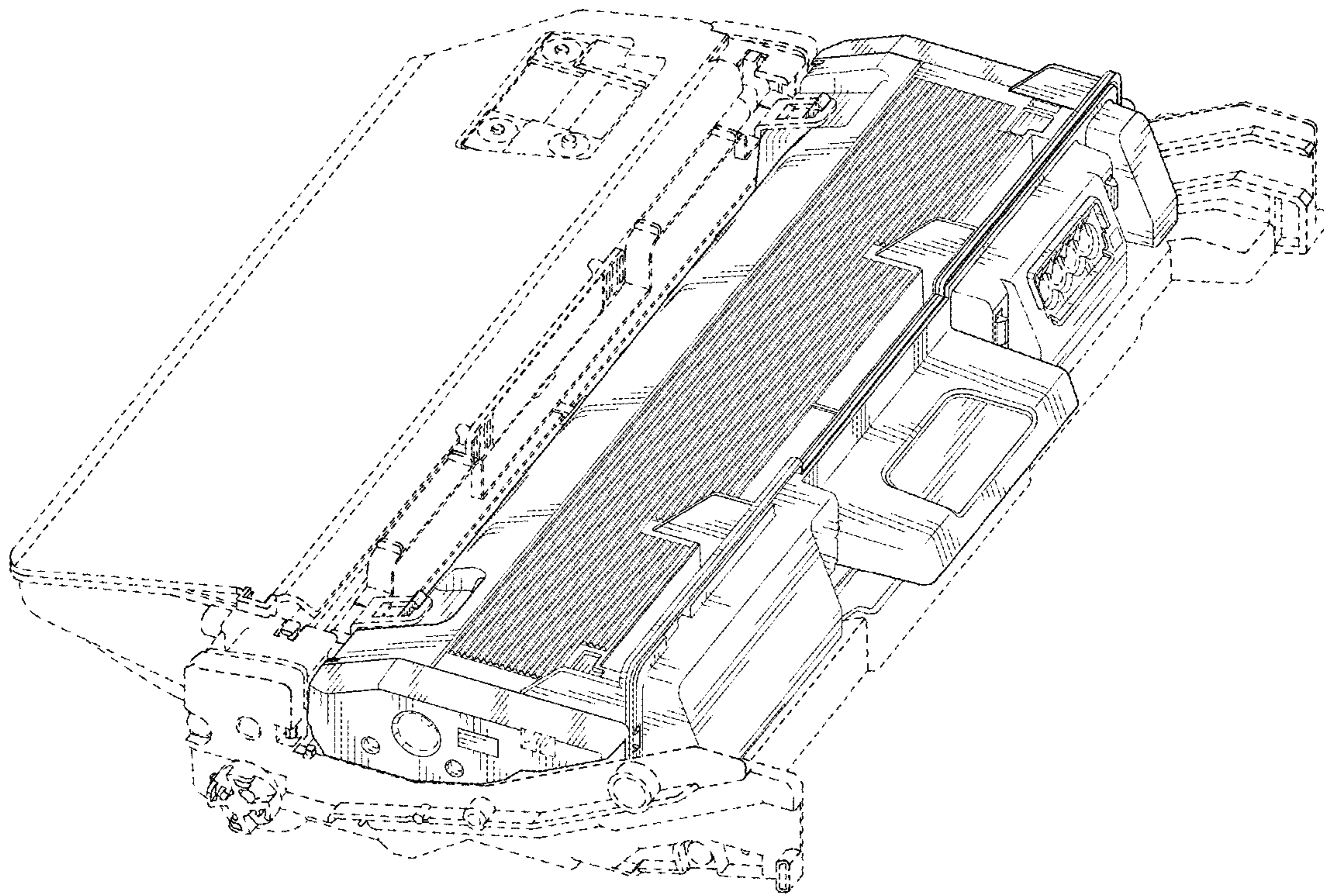


FIG. 2

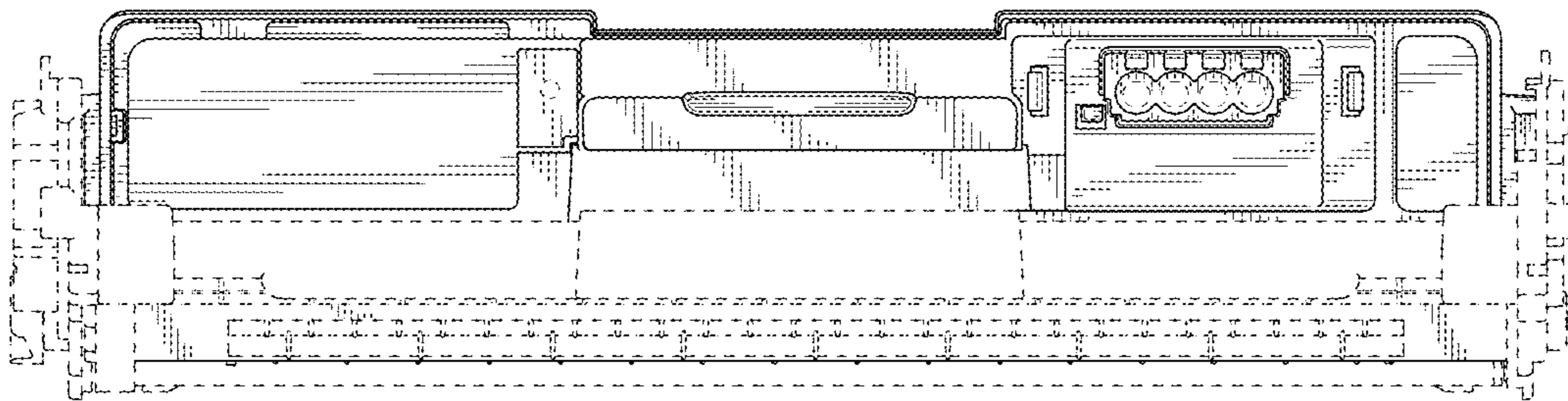


FIG. 3

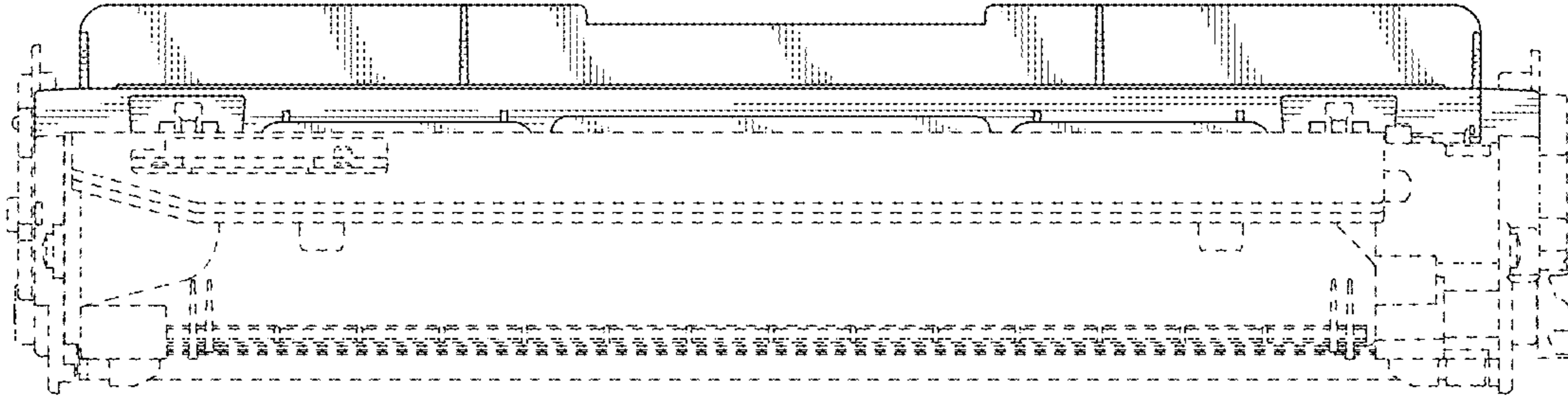


FIG. 4

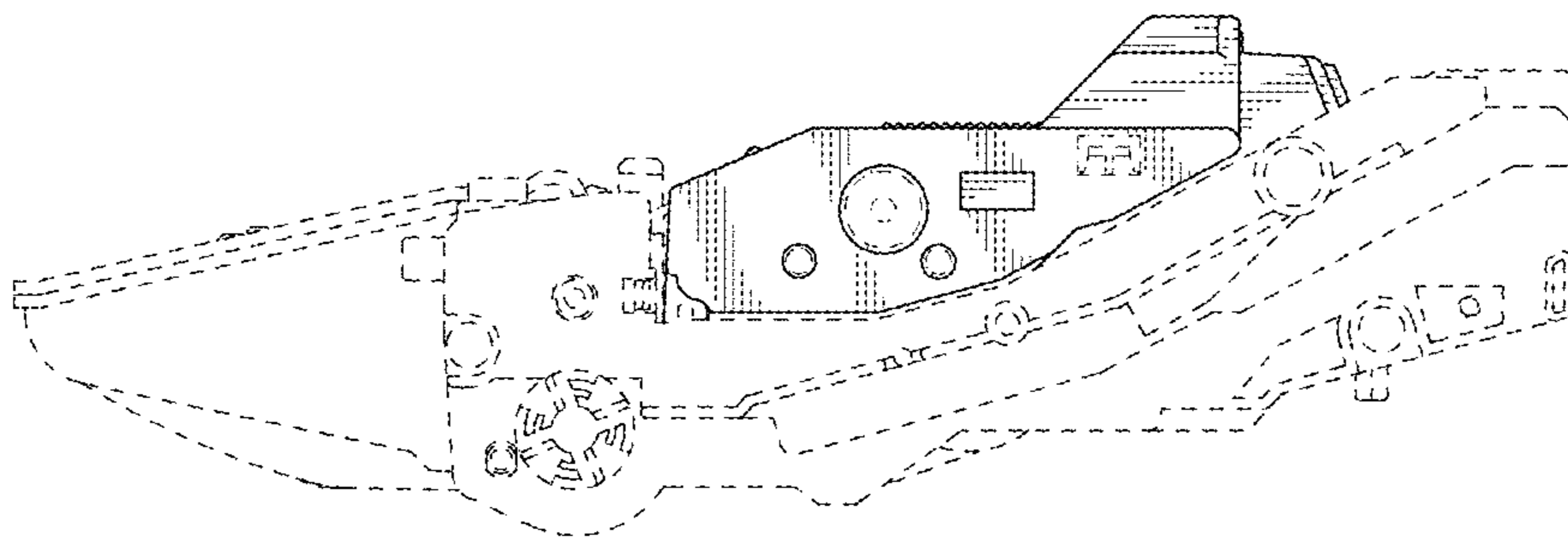


FIG. 5

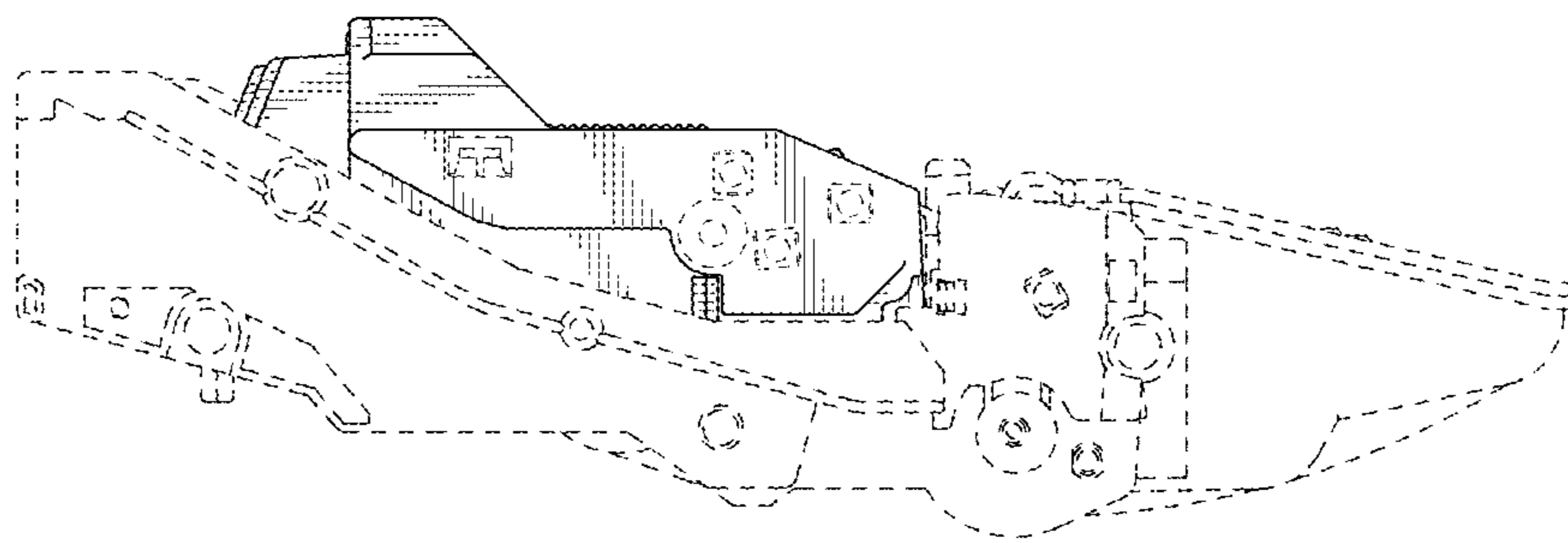


FIG. 6

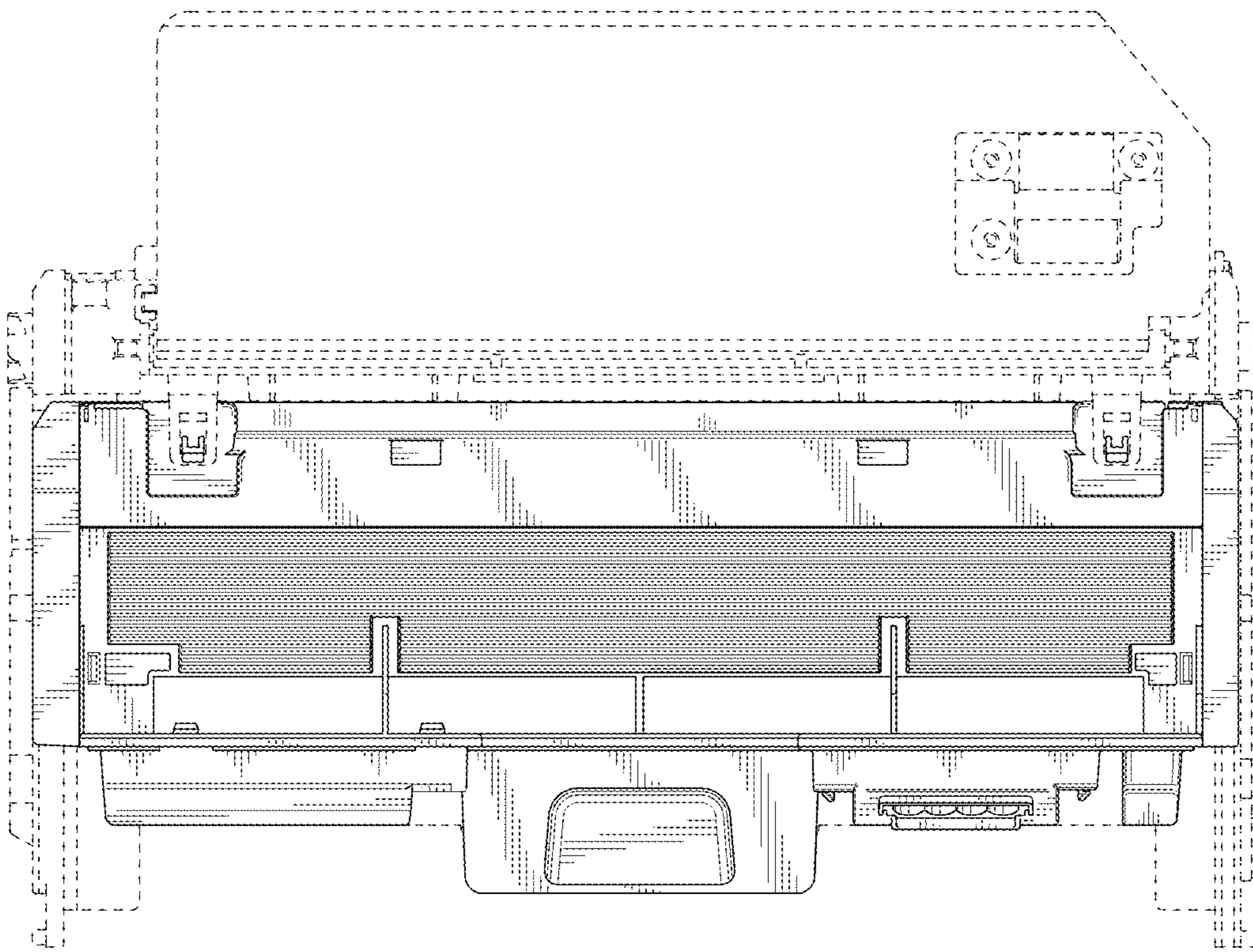


FIG. 7

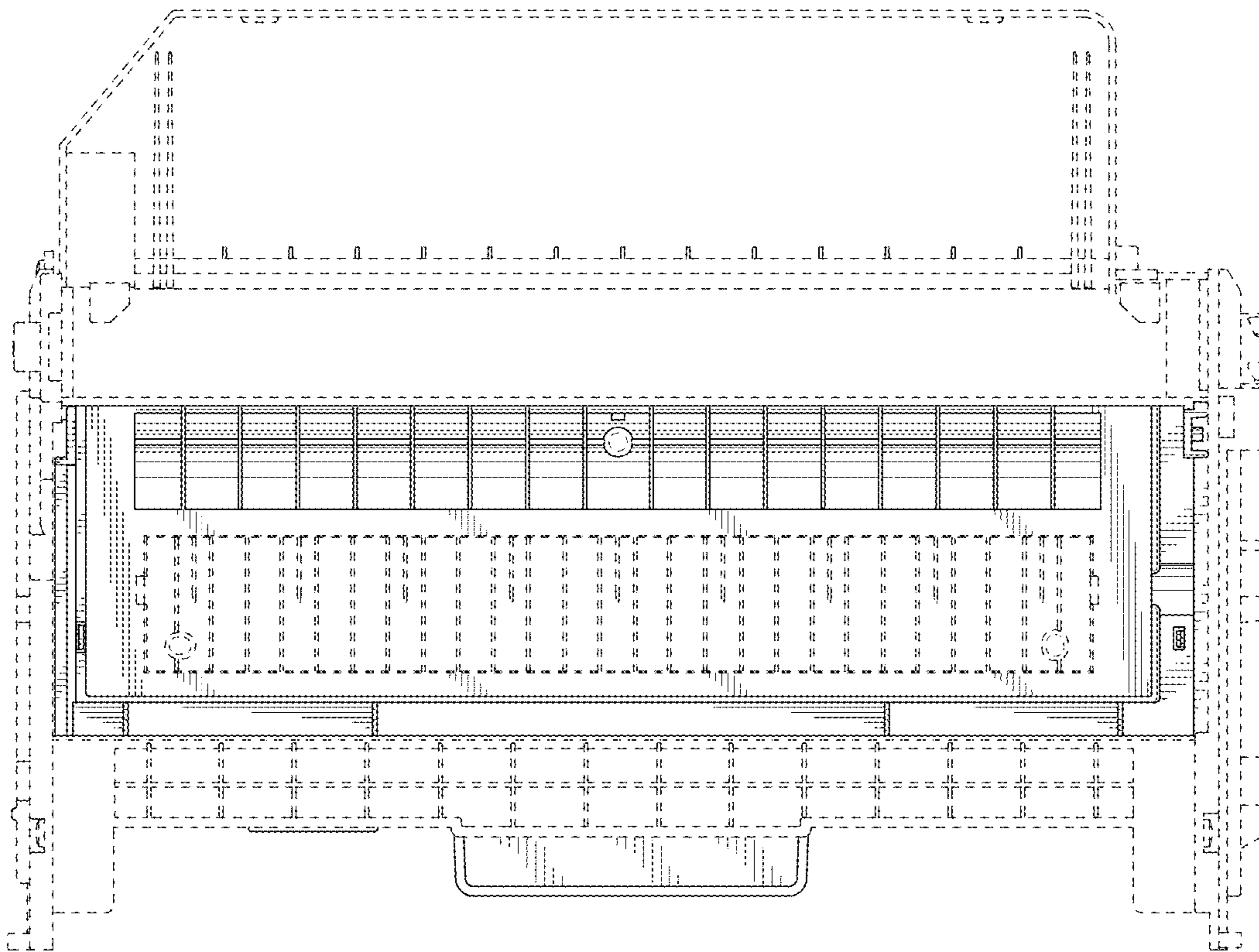


FIG. 8

