



US00D774588S

(12) **United States Design Patent** (10) **Patent No.:** **US D774,588 S**
Li (45) **Date of Patent:** **** Dec. 20, 2016**

(54) **SKI GOGGLE FRAME**
(71) Applicant: **BORRION ENTERPRISE CO., LTD.,**
Tainan (TW)
(72) Inventor: **Huei-Lung Li,** Tainan (TW)
(73) Assignee: **BORRION ENTERPRISE CO., LTD.,**
Tainan (TW)
(**) Term: **15 Years**
(21) Appl. No.: **29/531,902**
(22) Filed: **Jun. 30, 2015**

6,009,564 A * 1/2000 Tackles A61F 9/02
2/436
D427,225 S * 6/2000 Arnette D16/312
D428,906 S * 8/2000 Bolle D16/312
D442,206 S * 5/2001 Meyerhoffer D16/312
D488,182 S * 4/2004 Sheldon D16/312
D496,957 S * 10/2004 Bonnemere D16/312
D505,444 S * 5/2005 Borlet D16/312
6,938,277 B2 * 9/2005 Lindahl A61F 9/025
2/434
D523,889 S * 6/2006 Chen D16/312
D542,326 S * 5/2007 Chiang D16/311
D542,327 S * 5/2007 Hsu D16/312
D542,829 S * 5/2007 Hsu D16/312
D542,830 S * 5/2007 Hsu D16/312

(Continued)

(30) **Foreign Application Priority Data**
May 14, 2015 (TW) 104302589
(51) **LOC (10) Cl.** **16-06**
(52) **U.S. Cl.**
USPC **D16/312**
(58) **Field of Classification Search**
USPC D16/101, 300-342, 900; D29/109-110;
D21/483, 659-661; D14/372; 351/41, 44,
351/45-48, 51-52, 62, 158, 92, 103-123,
351/140-153, 63, 59; 2/13, 15, 426-432,
2/447-449, 441, 434-437
CPC G02C 2200/08; G02C 1/06; G02C 5/14;
G02C 5/16; G02C 11/02; G02C
11/04; G02C 2200/22; G02C 5/146; G02C
5/2254; G02C 5/008; G01C 5/16; A61M
2021/0044; A63B 33/002
See application file for complete search history.

Primary Examiner — Rosemary K Tarcza
Assistant Examiner — Sanjeev Paul
(74) *Attorney, Agent, or Firm* — Muncy, Geissler, Olds &
Lowe, P.C.

(57) **CLAIM**

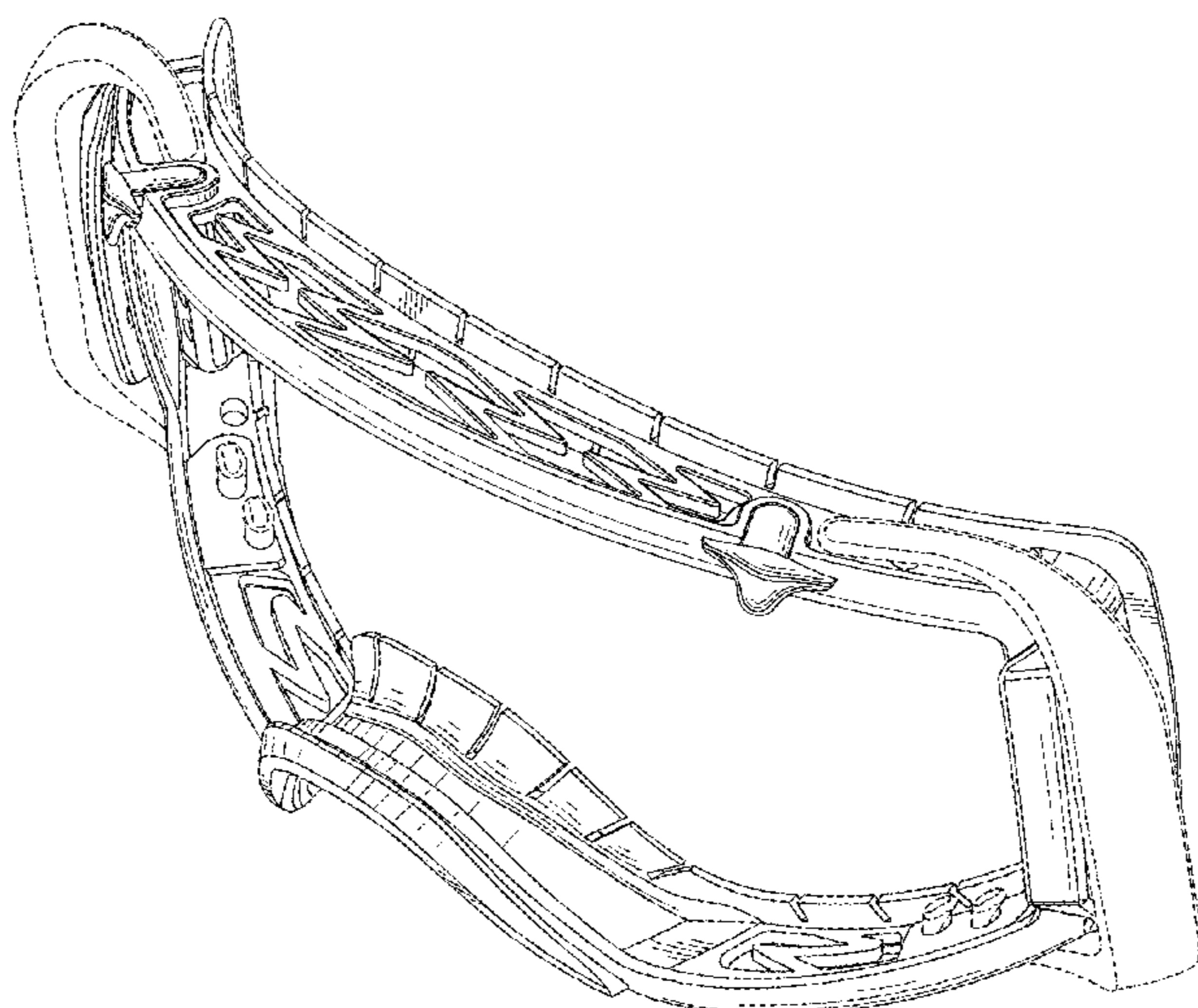
I claim, the ornamental design for a ski goggle frame, as shown and described.

DESCRIPTION

FIG. 1 is a perspective view of a ski goggle frame showing my present design;
FIG. 2 is a front view thereof;
FIG. 3 is a rear view thereof;
FIG. 4 is a left view thereof;
FIG. 5 is a right view thereof;
FIG. 6 is a top plan view thereof;
FIG. 7 is a bottom plan view thereof; and,
FIG. 8 is a perspective view thereof, shown in a state of use.
The broken lines shown in FIG. 8 are for the purpose of illustrating environmental structure, and form no part of the claimed design.
The broken lines in the drawings are for the purpose of illustrating unclaimed portions of the ski goggle frame and form no part of the claimed design.

1 Claim, 7 Drawing Sheets

(56) **References Cited**
U.S. PATENT DOCUMENTS
D364,181 S * 11/1995 Arnette D16/312
5,815,235 A * 9/1998 Runckel A61F 9/027
351/86
D403,689 S * 1/1999 Mage D16/312
D413,915 S * 9/1999 Newcomb D16/312



(56)

References Cited

U.S. PATENT DOCUMENTS

D544,900 S *	6/2007	Li	D16/312	D695,335 S *	12/2013	Goodman	D16/312
D551,278 S *	9/2007	Moritz	D16/312	D710,930 S *	8/2014	McNeal	D16/312
D559,299 S *	1/2008	Tabacchi	D16/303	D711,961 S *	8/2014	Arnette	D16/312
D578,562 S *	10/2008	Moritz	D16/312	D714,378 S *	9/2014	Sandor	D16/313
D591,786 S *	5/2009	Wang	D16/312	D715,350 S *	10/2014	Moritz	D16/312
7,603,078 B2 *	10/2009	Buskop	A61F 9/029	D718,369 S *	11/2014	Janavicius	D16/312
				351/158	D723,094 S *	2/2015	Chen	D16/312
D610,602 S *	2/2010	Yun	D16/312	D725,175 S *	3/2015	Wang-Lee	D16/312
D626,166 S *	10/2010	Yang	D16/312	D727,398 S *	4/2015	Blanchard	D16/312
D626,987 S *	11/2010	Yang	D16/312	D728,665 S *	5/2015	Chen	D16/311
D629,035 S *	12/2010	Moritz	D16/312	D729,303 S *	5/2015	Laperriere	D16/326
D629,442 S *	12/2010	Tominaga	D16/312	D747,758 S *	1/2016	Lee	D16/312
D640,724 S *	6/2011	Goodman	D16/312	D748,716 S *	2/2016	Yang	D16/312
D649,178 S *	11/2011	Moritz	D16/312	2008/0030674 A1 *	2/2008	Huang	G02C 5/00
D649,577 S *	11/2011	Goodman	D16/312					351/41
D669,113 S *	10/2012	Sandor	D16/309	2008/0055538 A1 *	3/2008	Kobayashi	A61F 9/028
D670,753 S *	11/2012	Chen	D16/312					351/62
D675,247 S *	1/2013	Yang	D16/309	2008/0316421 A1 *	12/2008	Wang	A61F 9/025
D687,479 S *	8/2013	Moritz	D16/312					351/62
D688,296 S *	8/2013	Pearson	D16/312	2015/0320600 A1 *	11/2015	Blanchard	A61F 9/025
									2/431

* cited by examiner

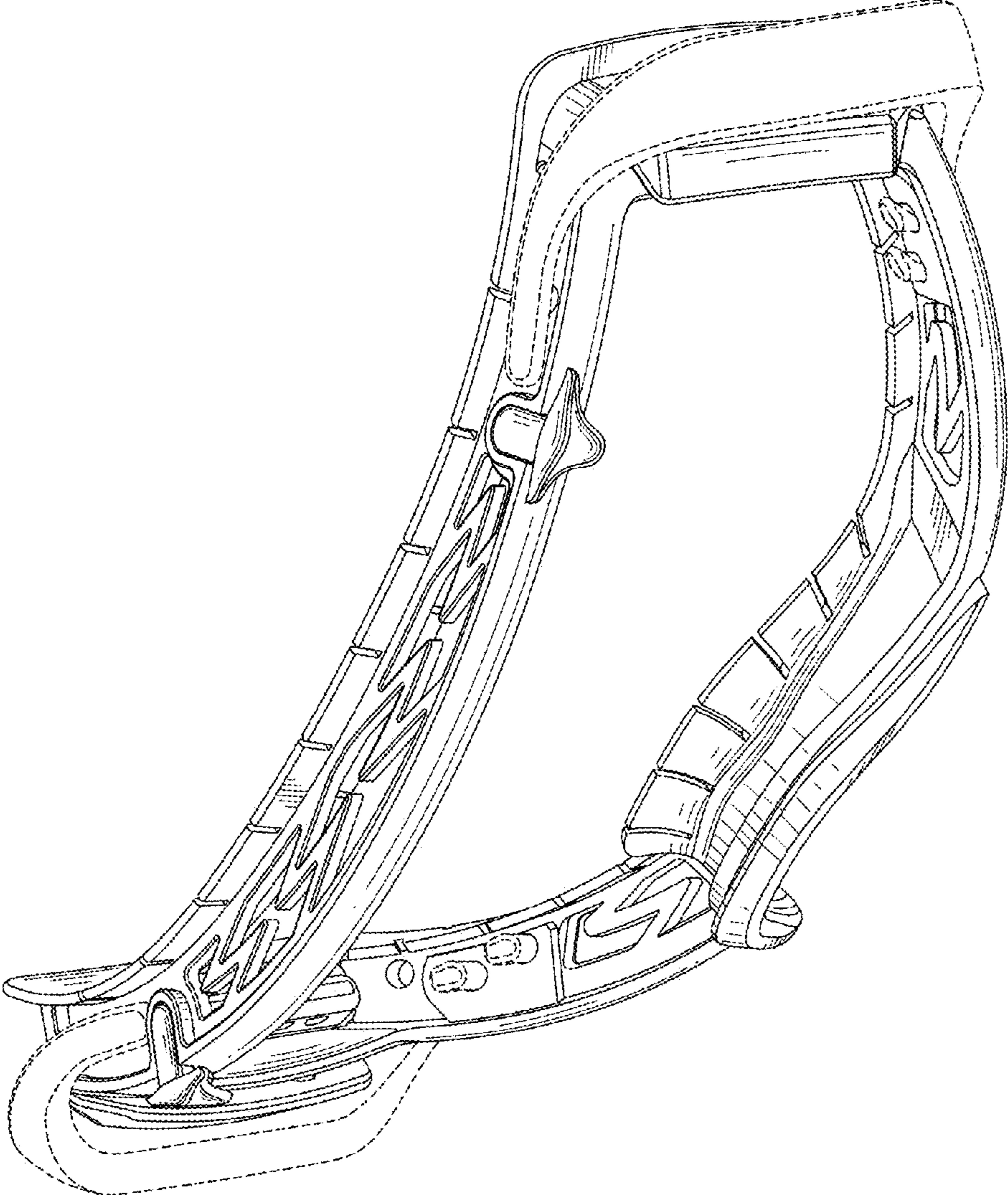


FIG. 1

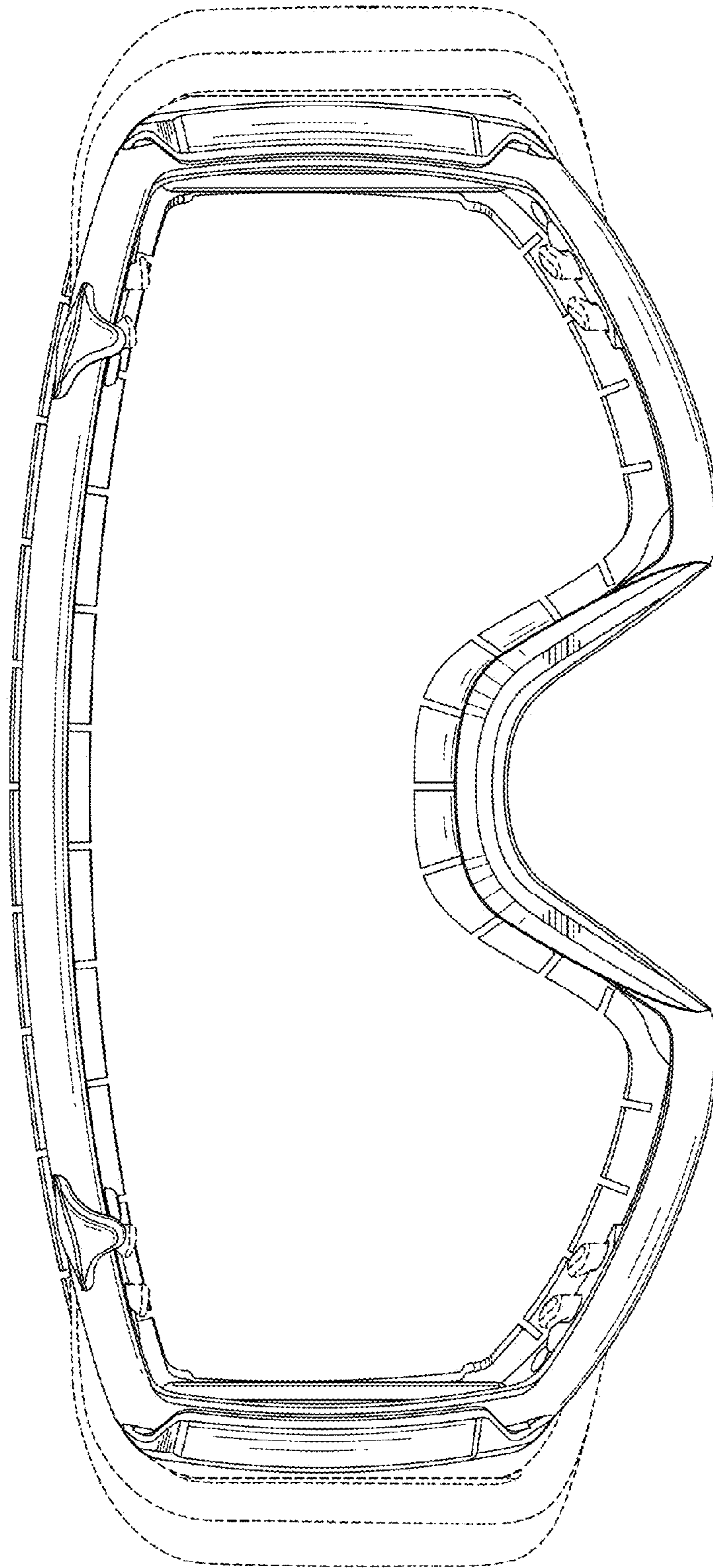


FIG. 2

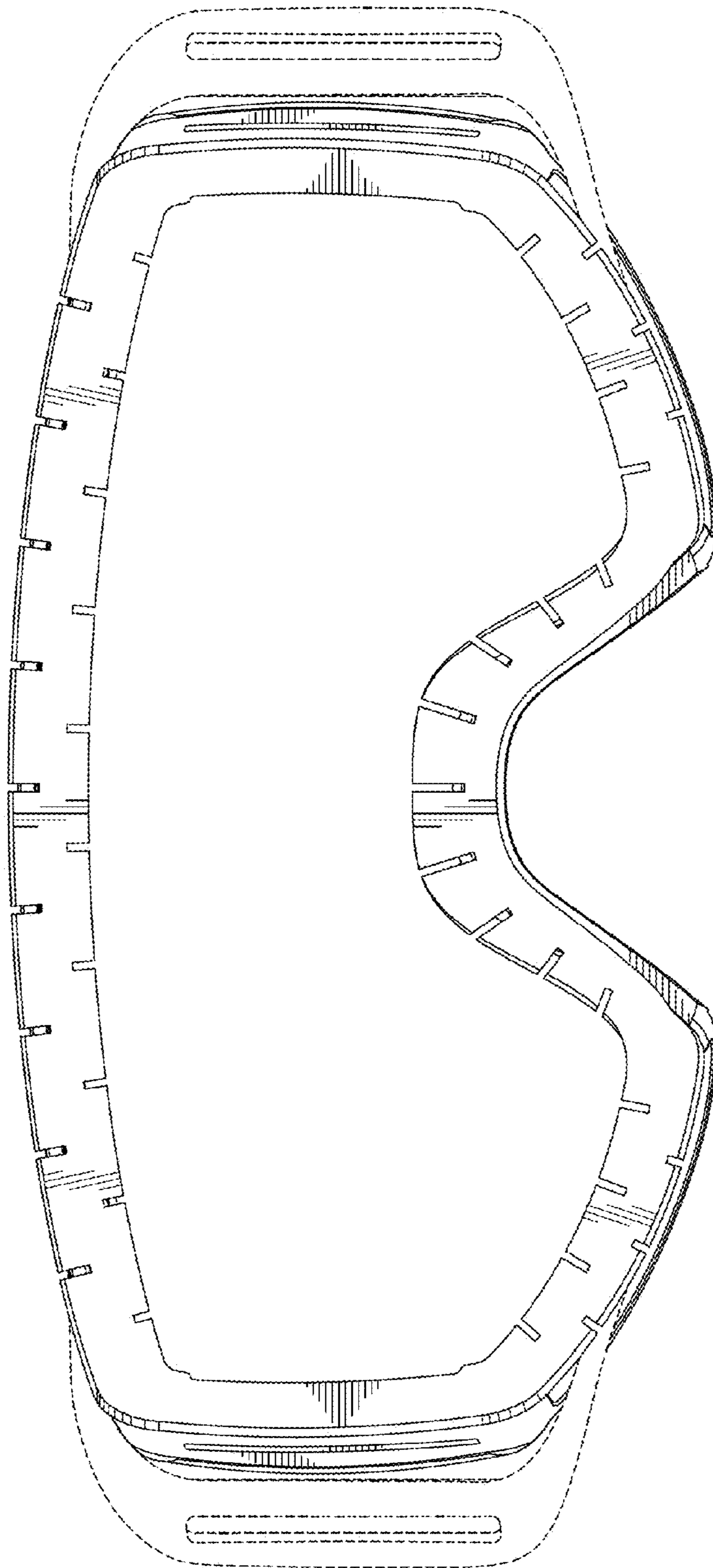


FIG. 3

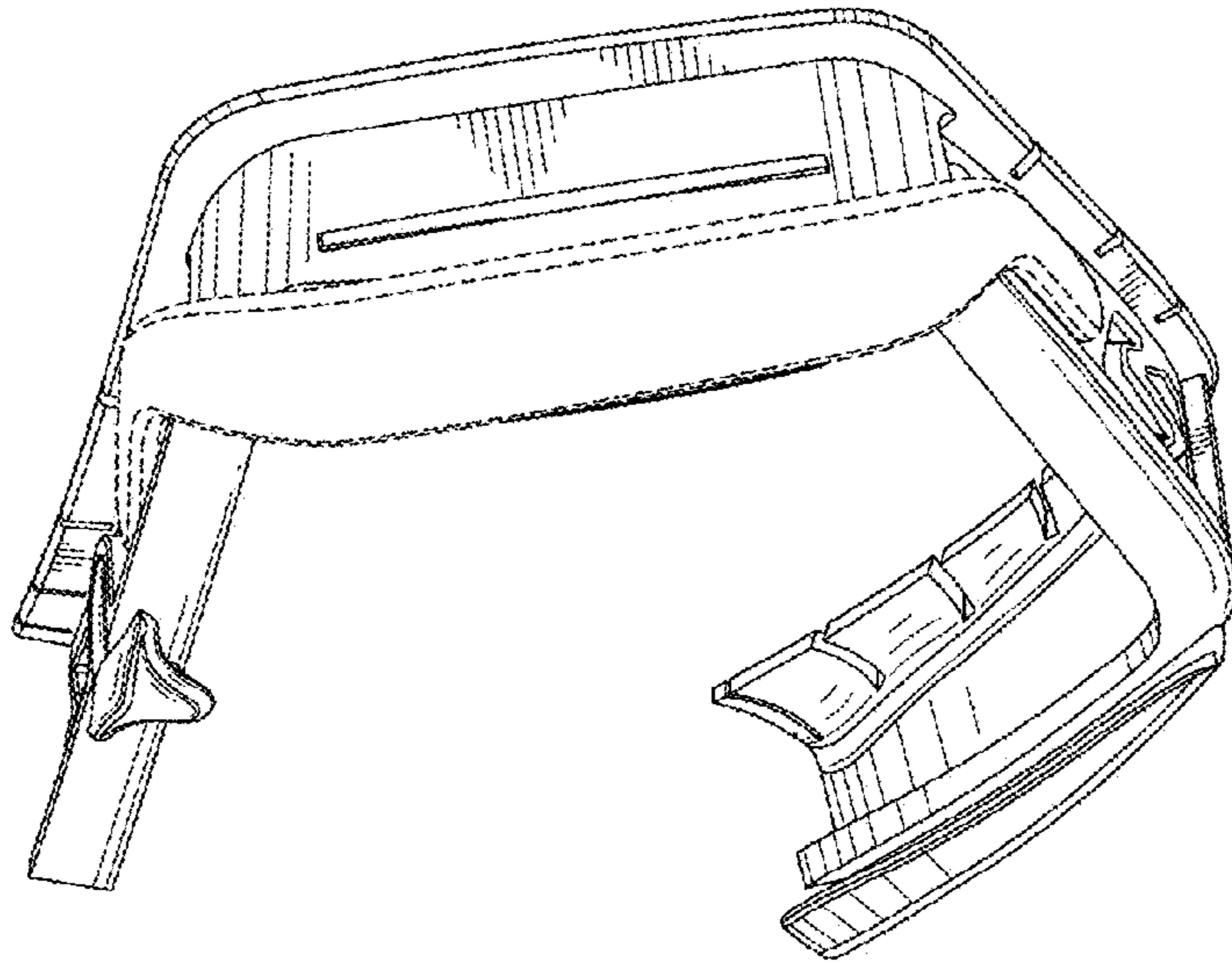


FIG. 5

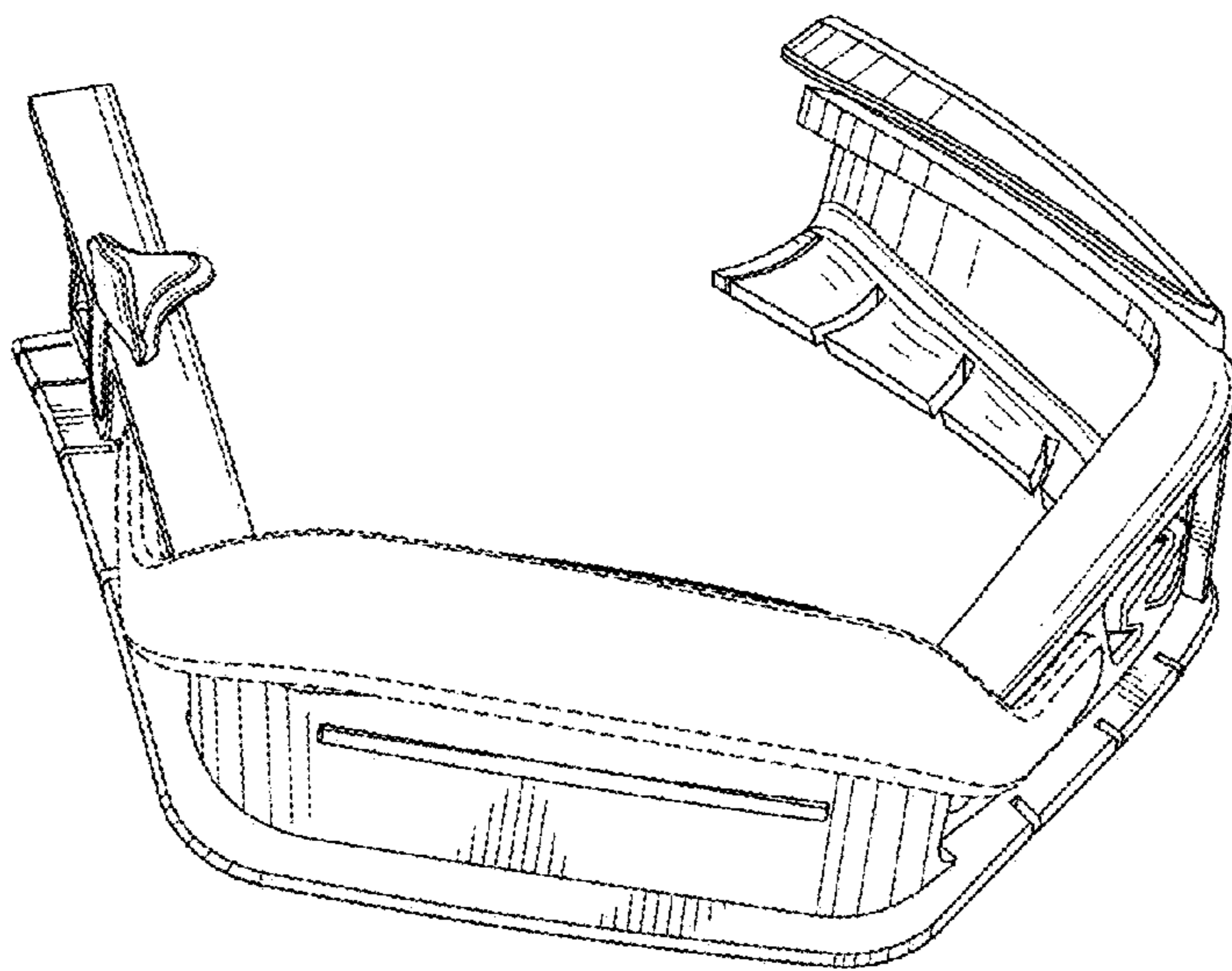


FIG. 4

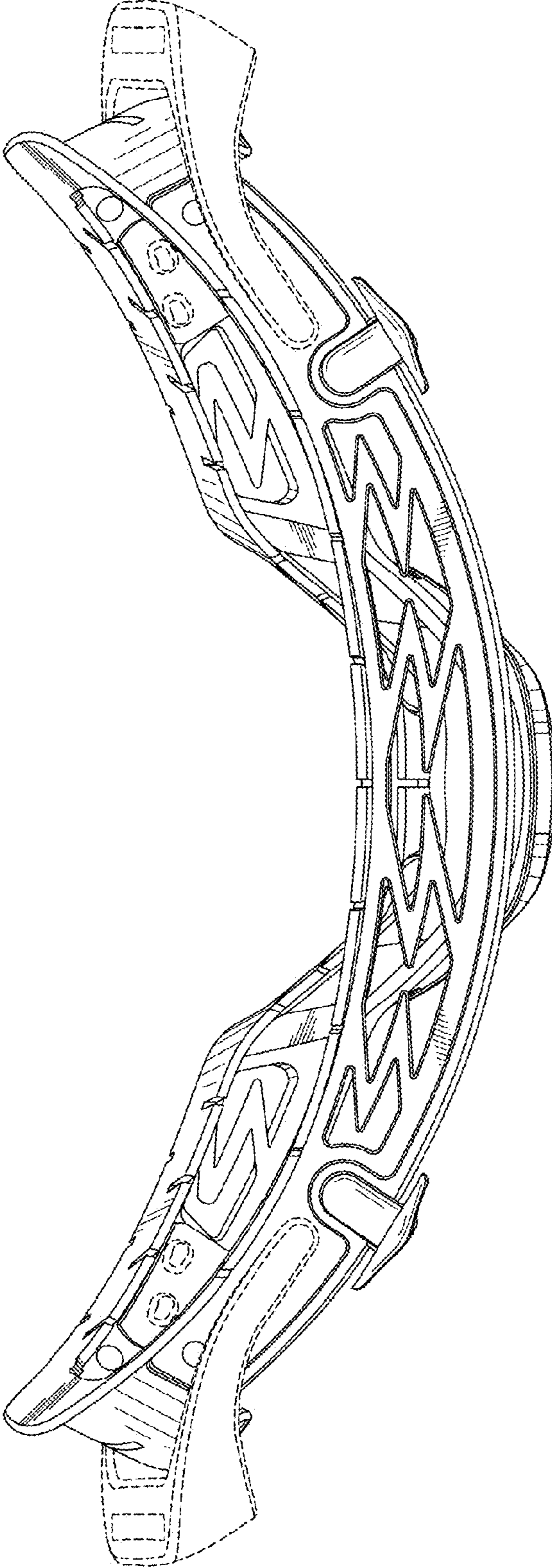


FIG. 6

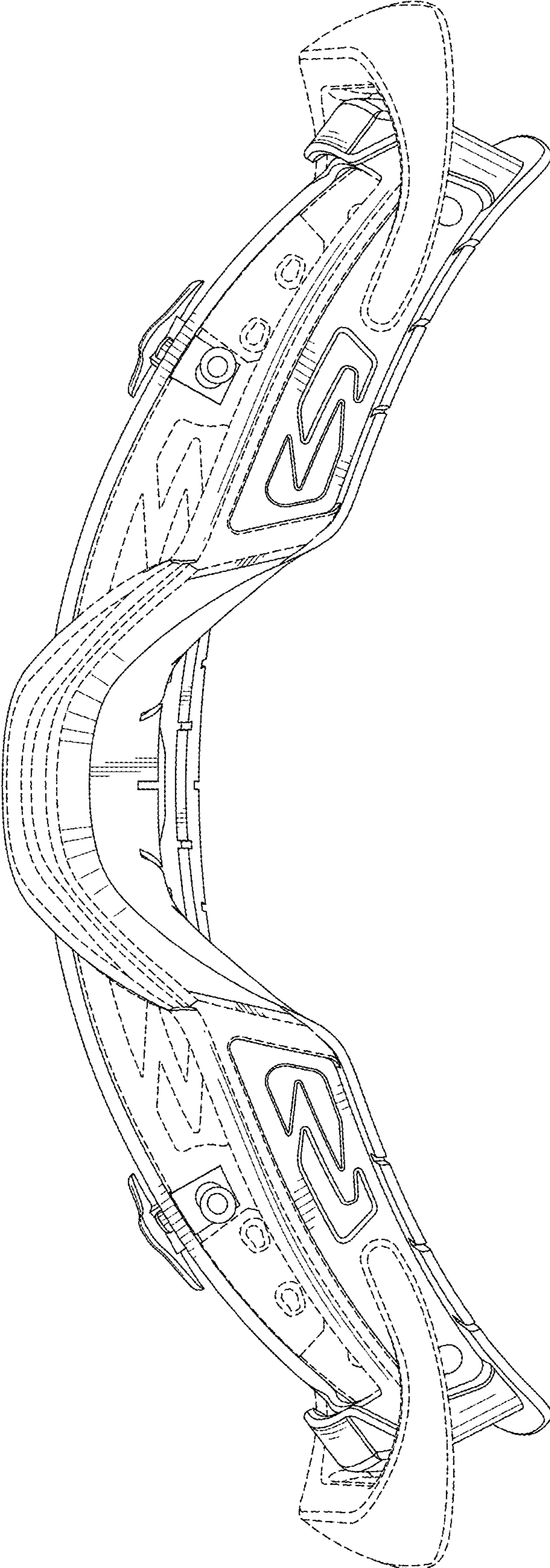


FIG. 7

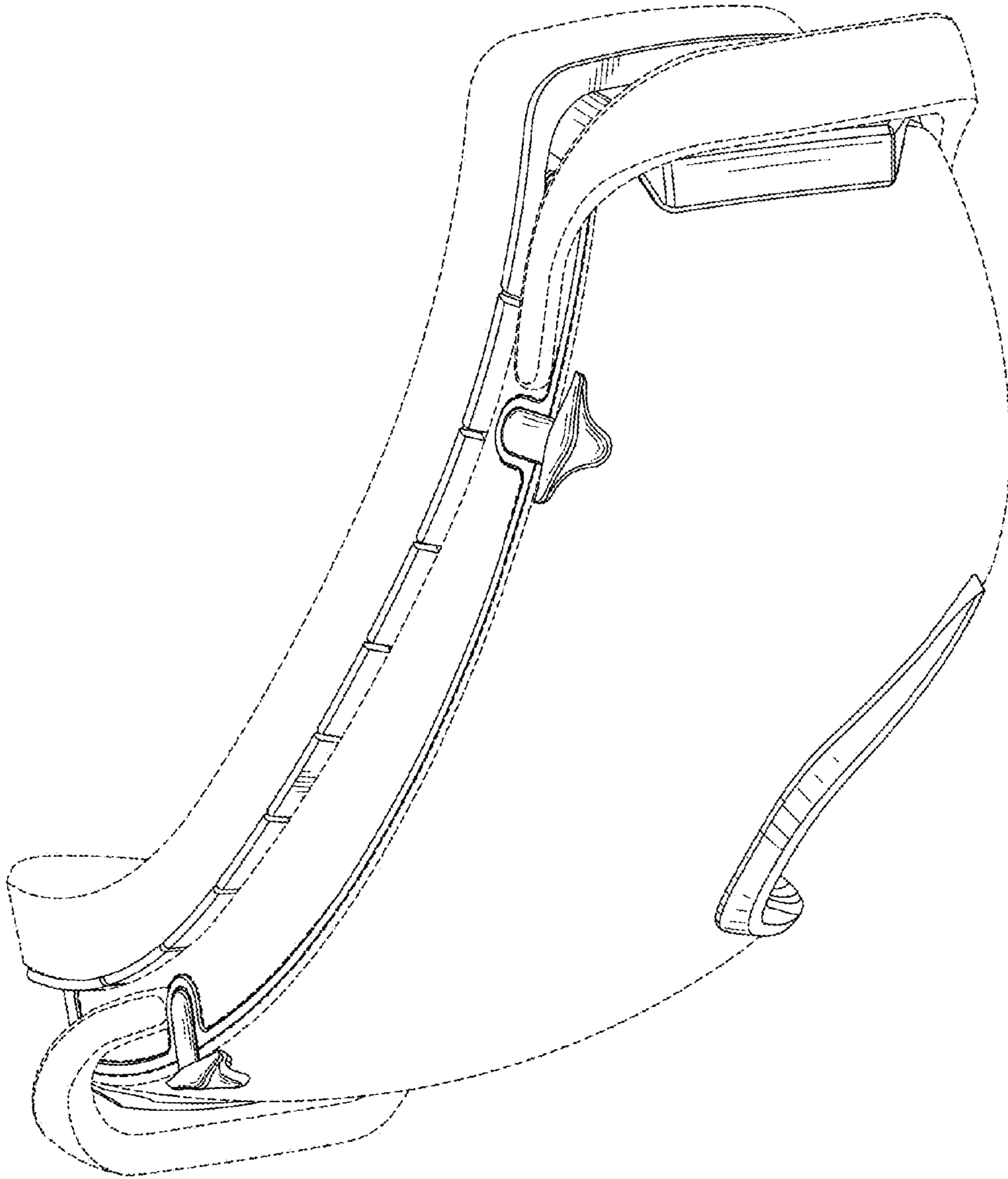


FIG. 8