



US00D774587S

(12) **United States Design Patent** (10) **Patent No.:** **US D774,587 S**
Shiono (45) **Date of Patent:** **** Dec. 20, 2016**

(54) **PROJECTOR**
(71) Applicant: **Sony Corporation**, Tokyo (JP)
(72) Inventor: **Daisuke Shiono**, Tokyo (JP)
(73) Assignee: **Sony Corporation**, Tokyo (JP)
(**) Term: **14 Years**
(21) Appl. No.: **29/513,056**
(22) Filed: **Dec. 24, 2014**
(51) **LOC (10) Cl.** **16-02**
(52) **U.S. Cl.**
USPC **D16/235**
(58) **Field of Classification Search**
USPC D16/221, 225, 230-231, 234, 203, 205,
D16/213; D21/514; 353/115, 119, 122
CPC G03B 21/145; G03B 21/00; G03B 21/001;
G03B 21/14
See application file for complete search history.

(56) **References Cited**
U.S. PATENT DOCUMENTS
D508,694 S 8/2005 Kumano
D510,350 S 10/2005 Kumano
8,096,663 B2* 1/2012 Adachi G03B 21/145
353/119
D680,572 S * 4/2013 Morohoshi D16/225
8,955,990 B2* 2/2015 Morohoshi G03B 21/145
353/119
8,985,786 B2* 3/2015 Fujioka G03B 21/145
353/119

* cited by examiner

Primary Examiner — Wan Laymon

(74) *Attorney, Agent, or Firm* — Michael Best and Friedrich LLP

(57) **CLAIM**
The ornamental design for a projector, as shown and described.

DESCRIPTION
FIG. 1 is a perspective view of a first embodiment of a projector showing my new design;
FIG. 2 is a front elevational view thereof;
FIG. 3 is a rear elevational view thereof;
FIG. 4 is a left side elevational view thereof;
FIG. 5 is a right side elevational view thereof;
FIG. 6 is a top plan view thereof; and
FIG. 7 is a bottom plan view thereof.
FIG. 8 is a perspective view of a second embodiment of a projector showing my new design;
FIG. 9 is a front elevational view thereof;
FIG. 10 is a rear elevational view thereof;
FIG. 11 is a left side elevational view thereof;
FIG. 12 is a right side elevational view thereof;
FIG. 13 is a top plan view thereof; and
FIG. 14 is a bottom plan view thereof.
FIG. 15 is a perspective view of a third embodiment of a projector showing my new design;
FIG. 16 is a front elevational view thereof;
FIG. 17 is a rear elevational view thereof;
FIG. 18 is a left side elevational view thereof;
FIG. 19 is a right side elevational view thereof;
FIG. 20 is a top plan view thereof; and
FIG. 21 is a bottom plan view thereof.
The broken lines illustrating the unclaimed portions of the projector do not form the claimed design. Dot-dash broken lines define the boundaries of, but not included in, the claimed design.

1 Claim, 21 Drawing Sheets

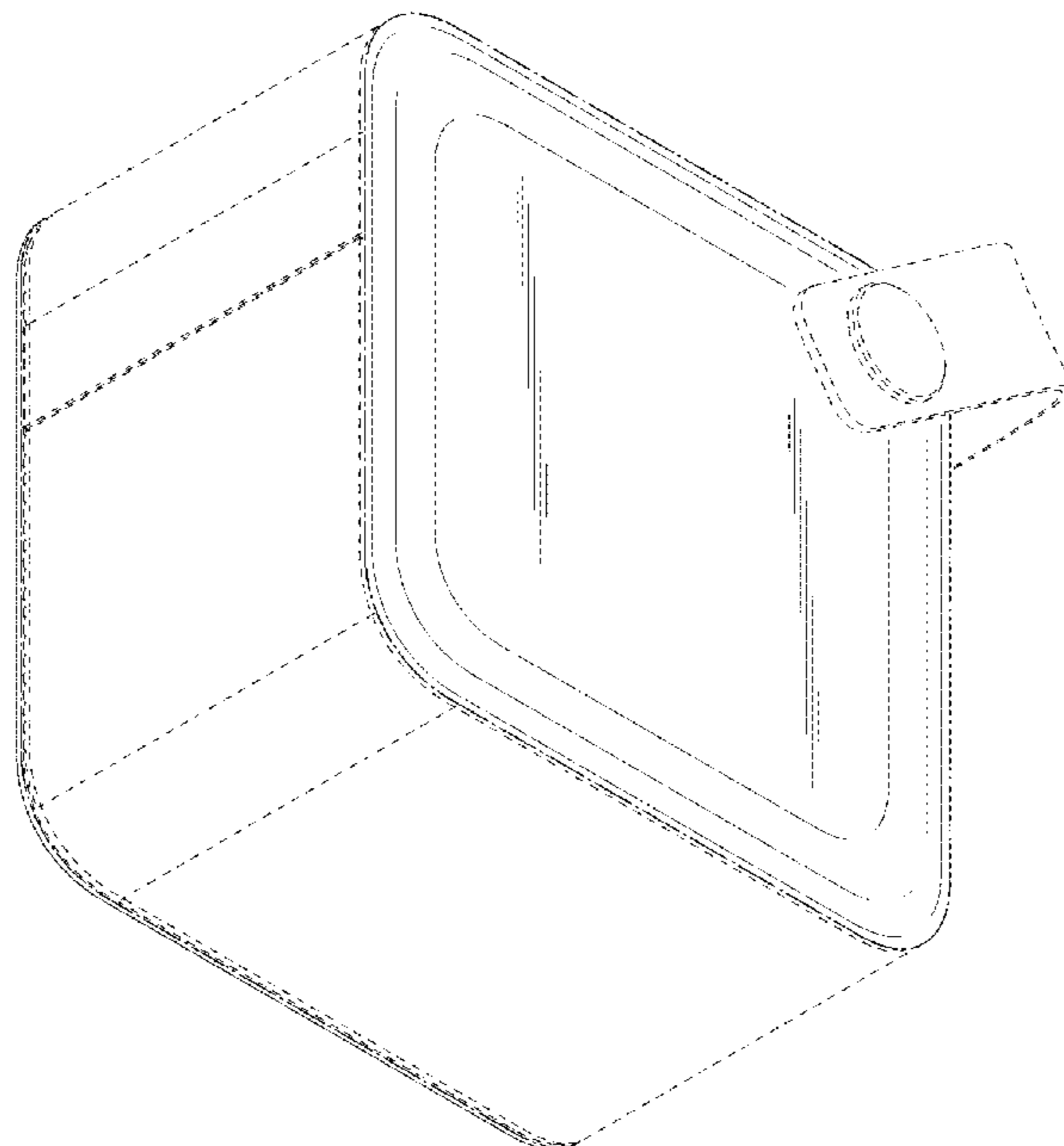


FIG.1

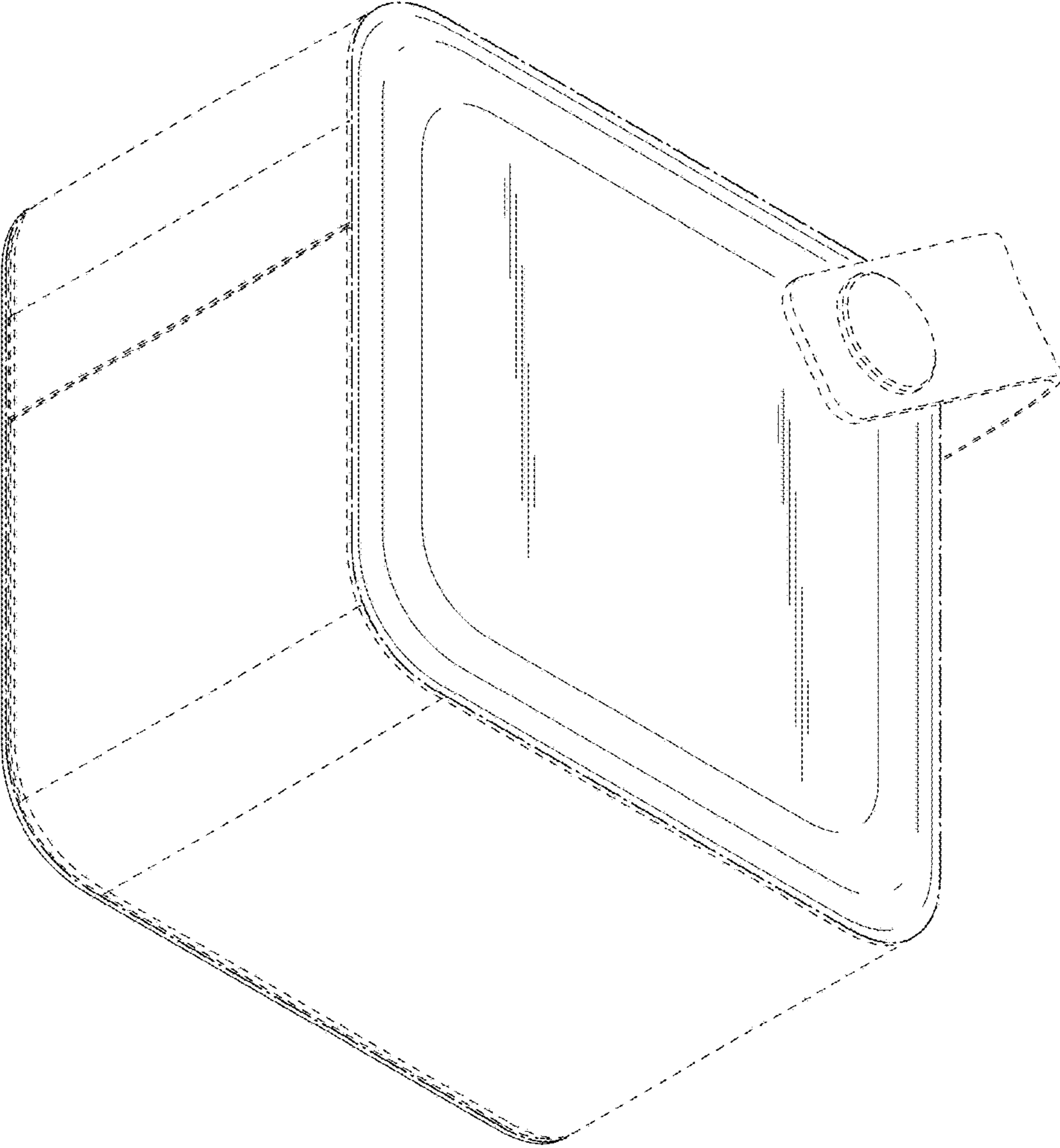


FIG.2

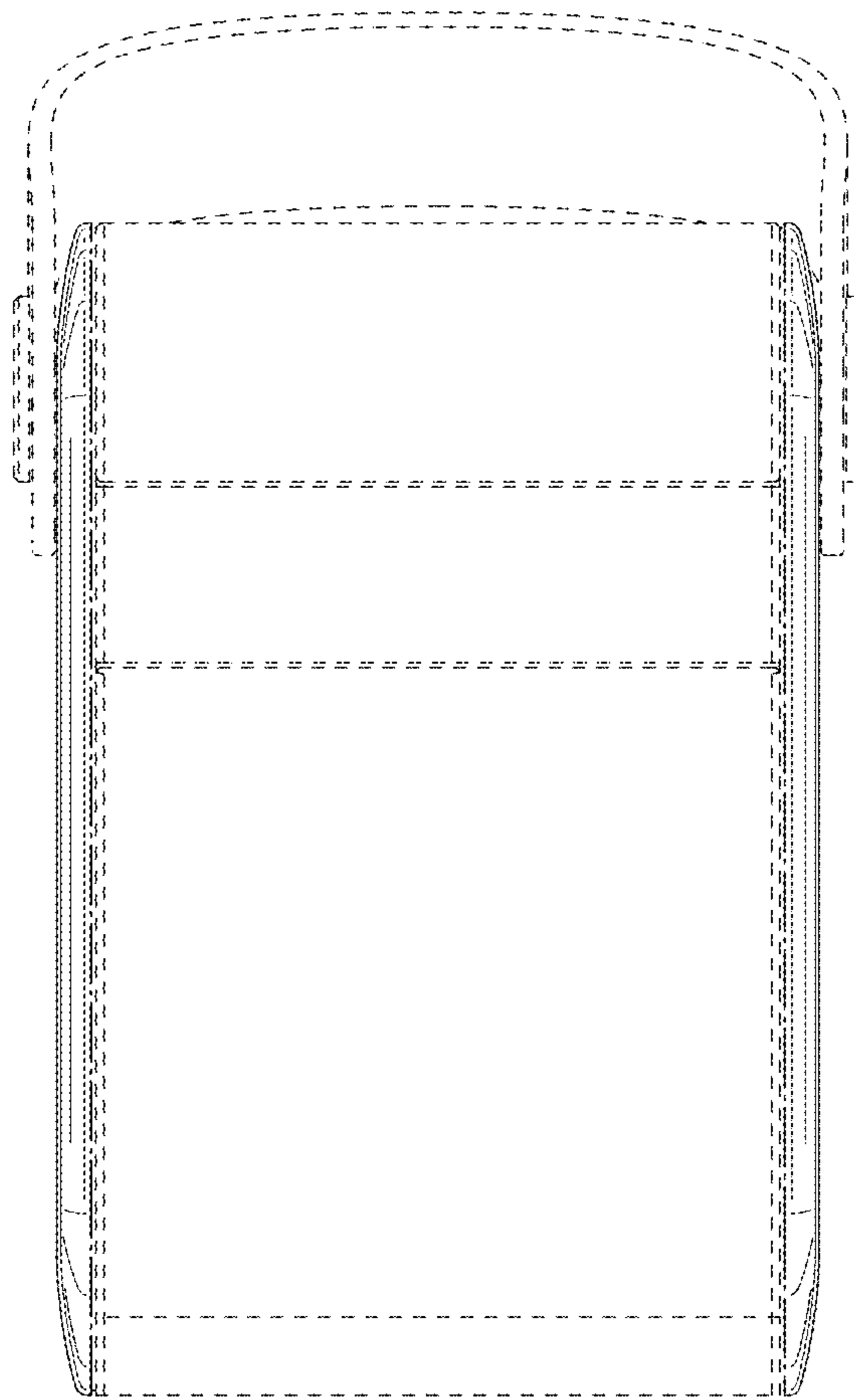


FIG.3

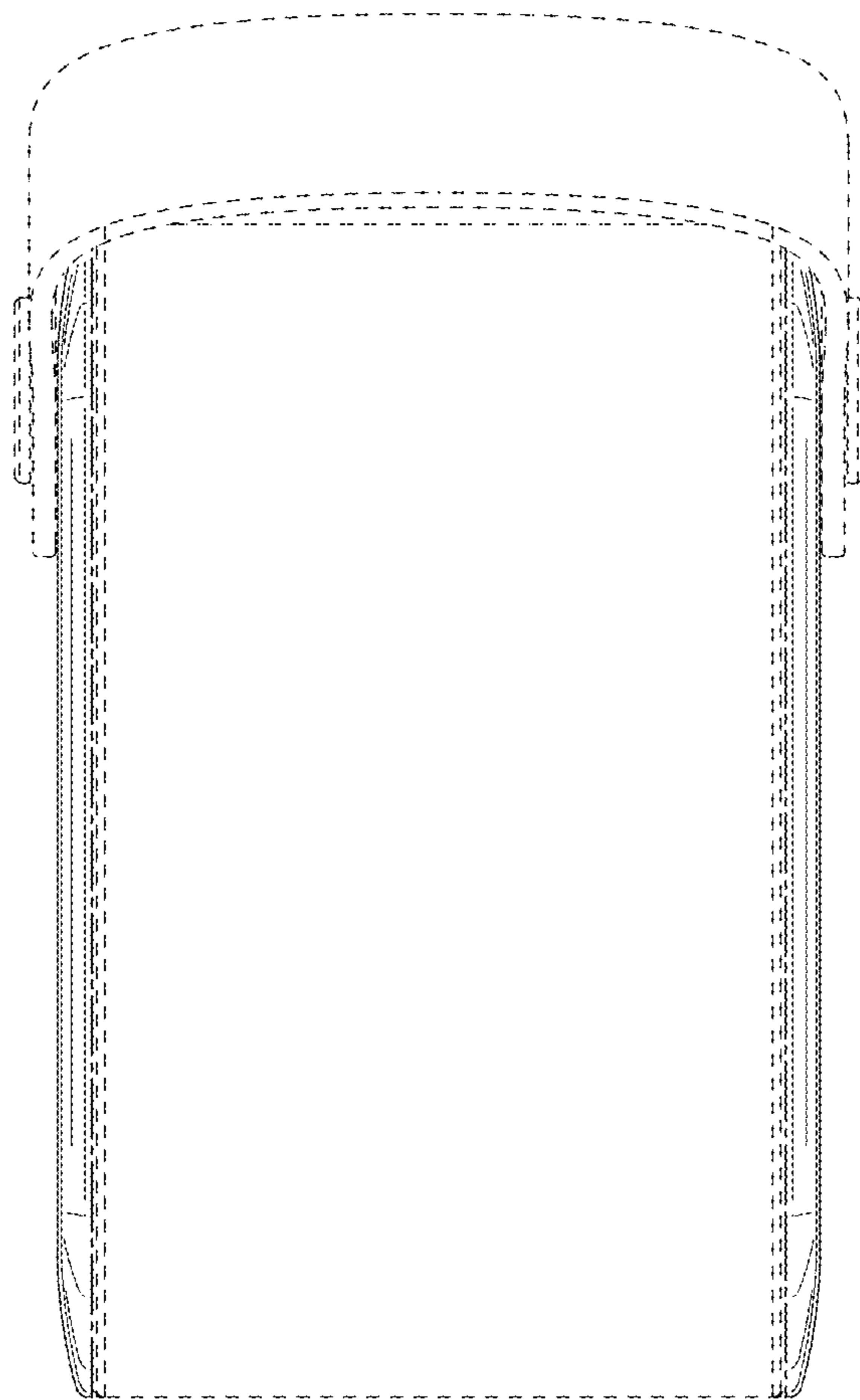


FIG.4

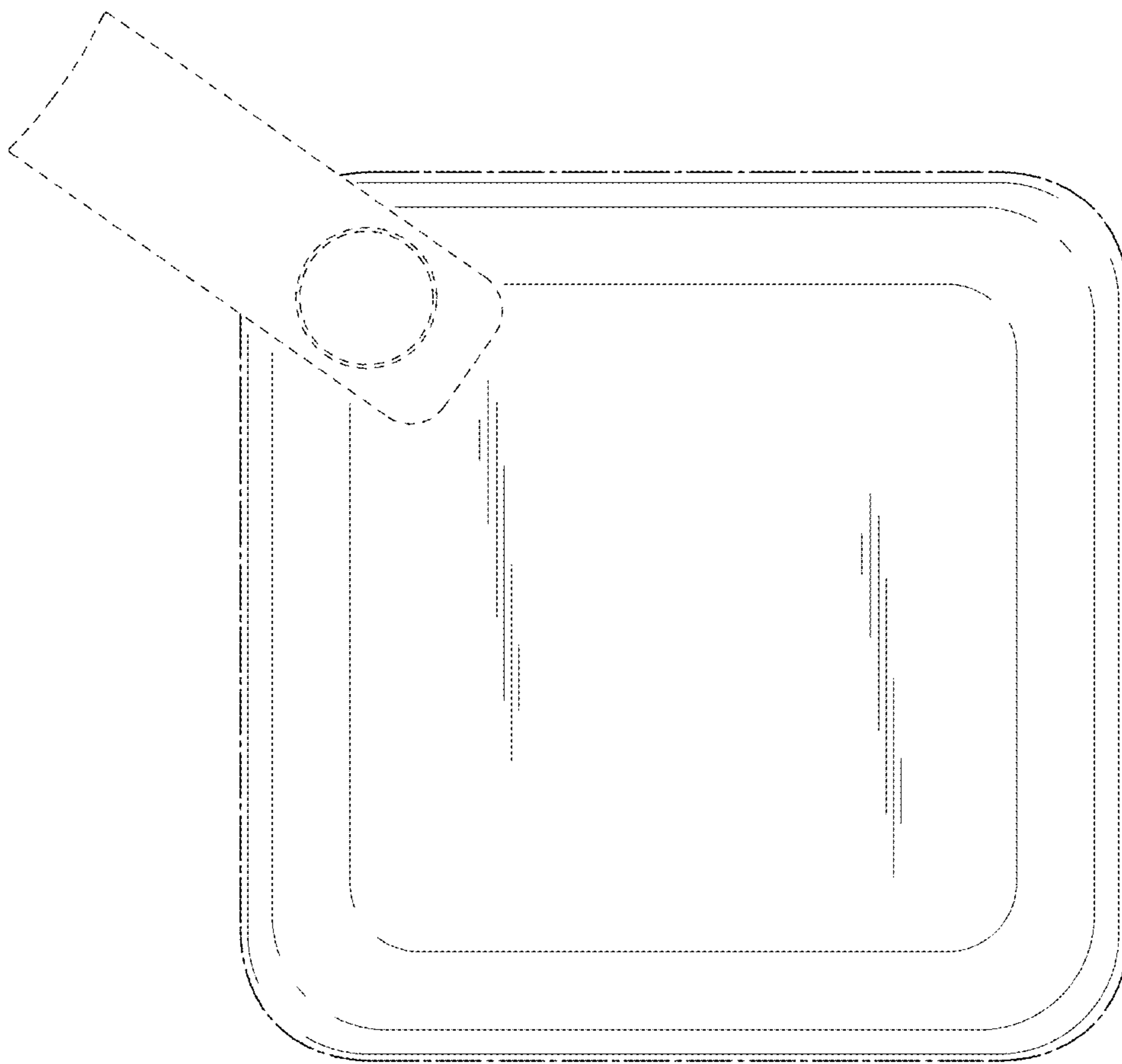


FIG.5

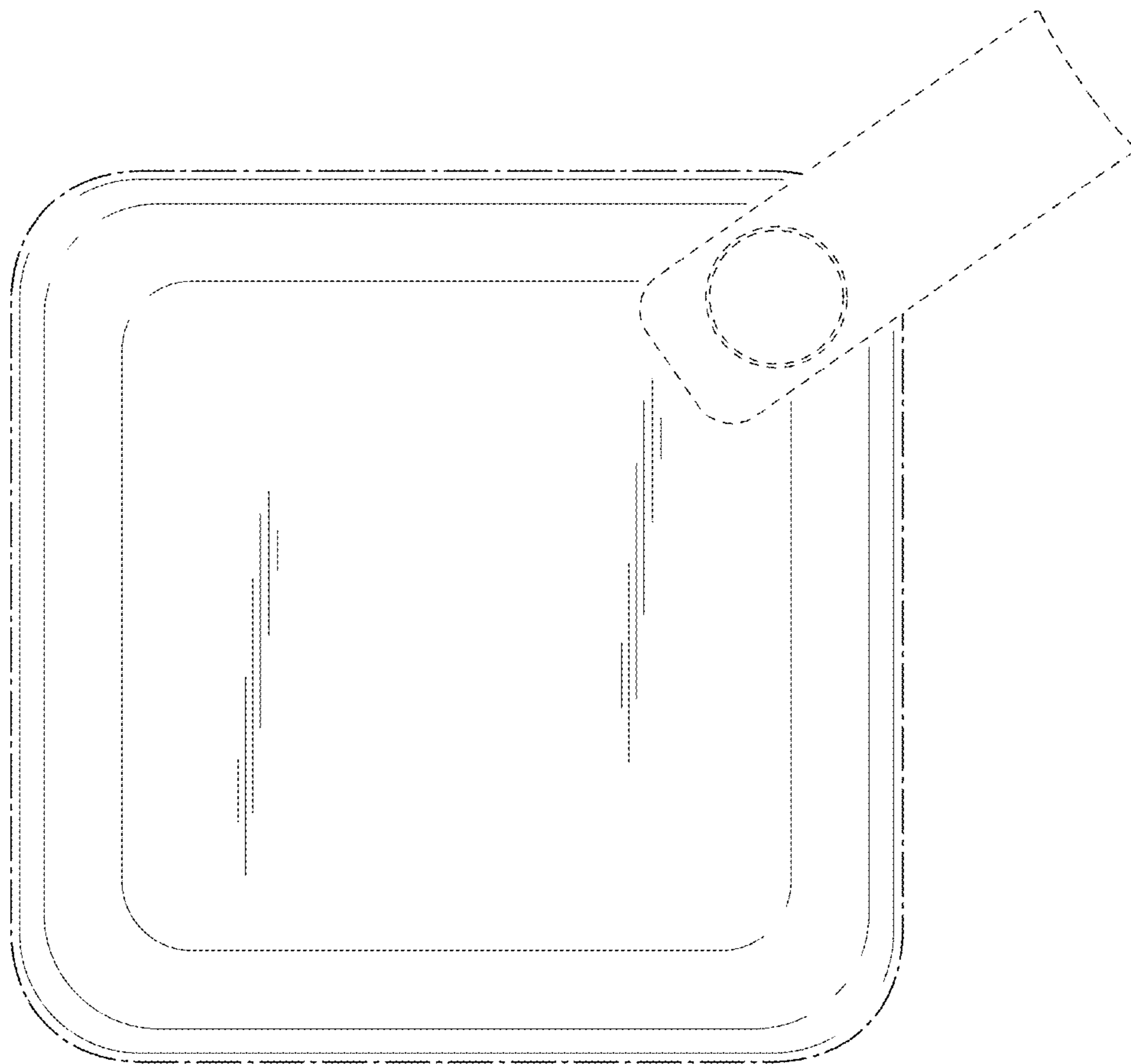


FIG.6

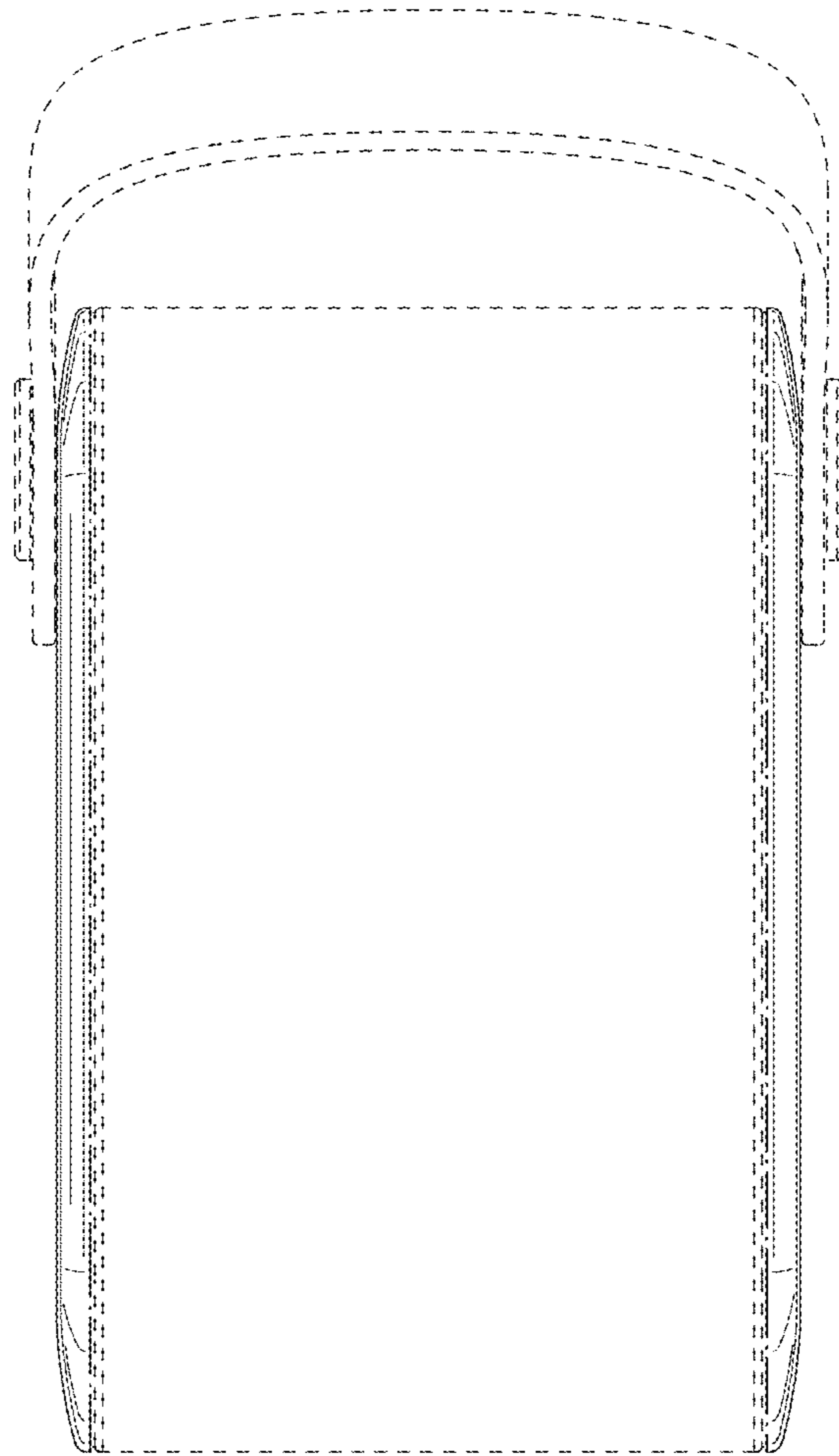


FIG.7

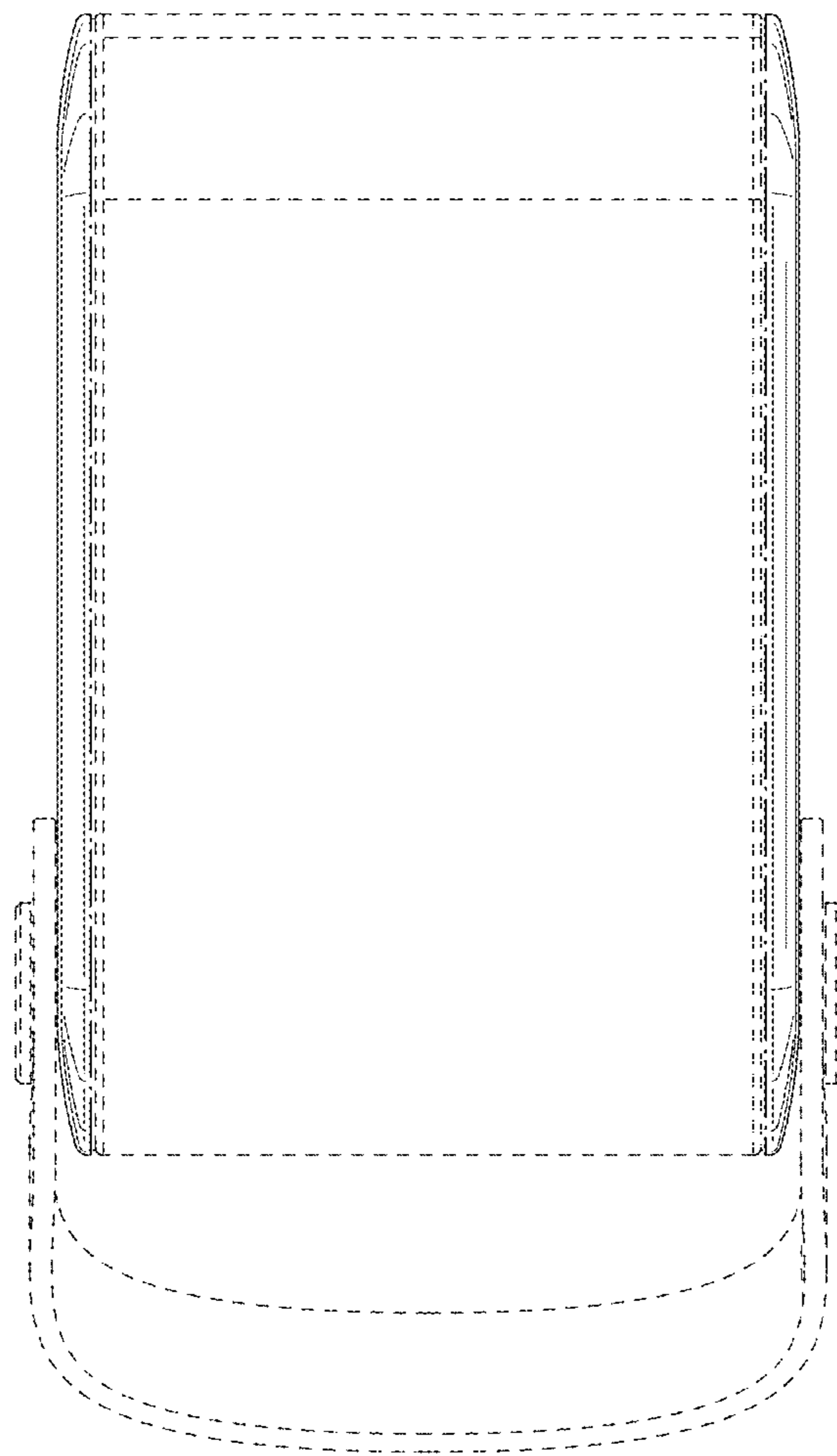


FIG.8

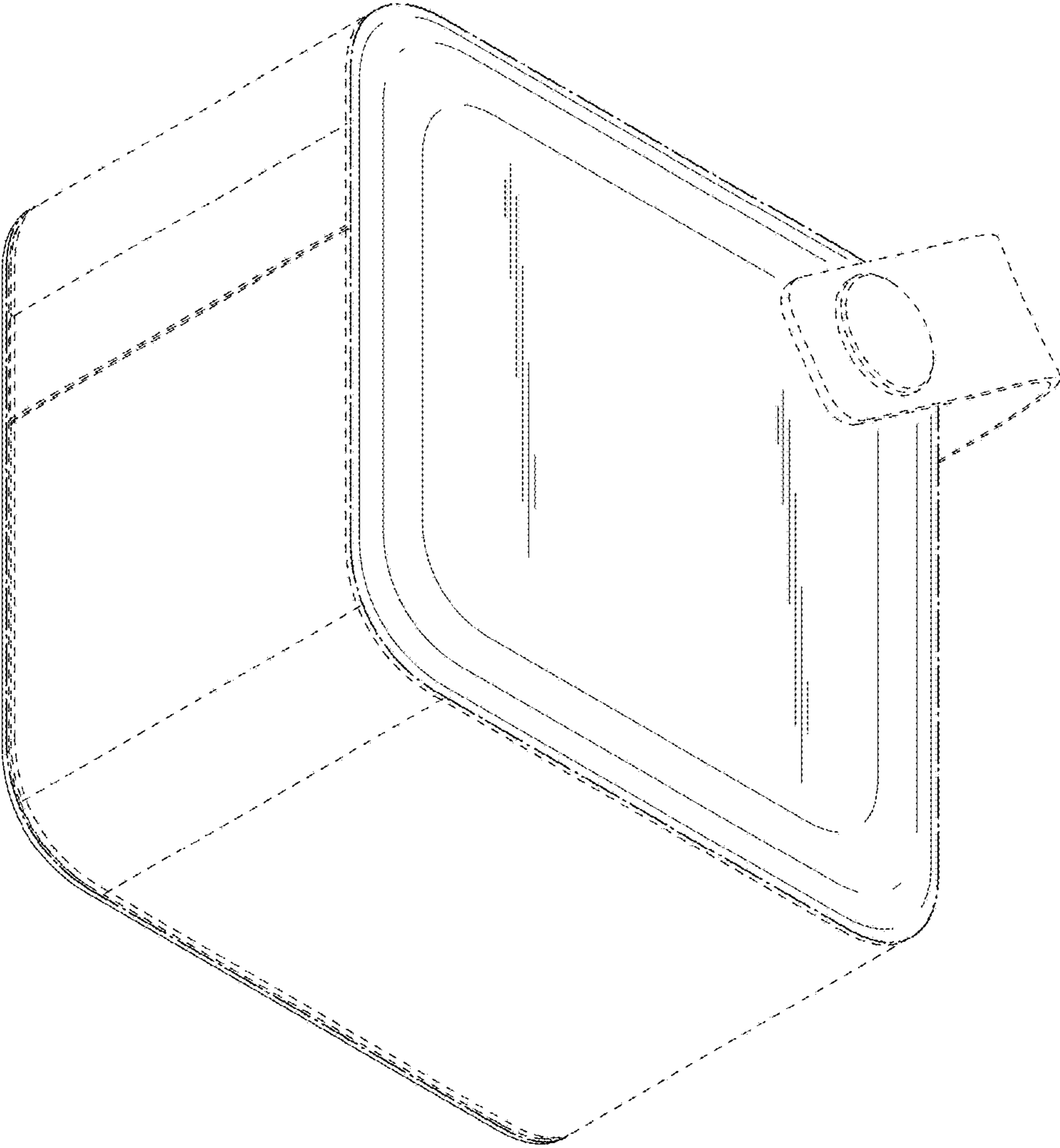


FIG.9

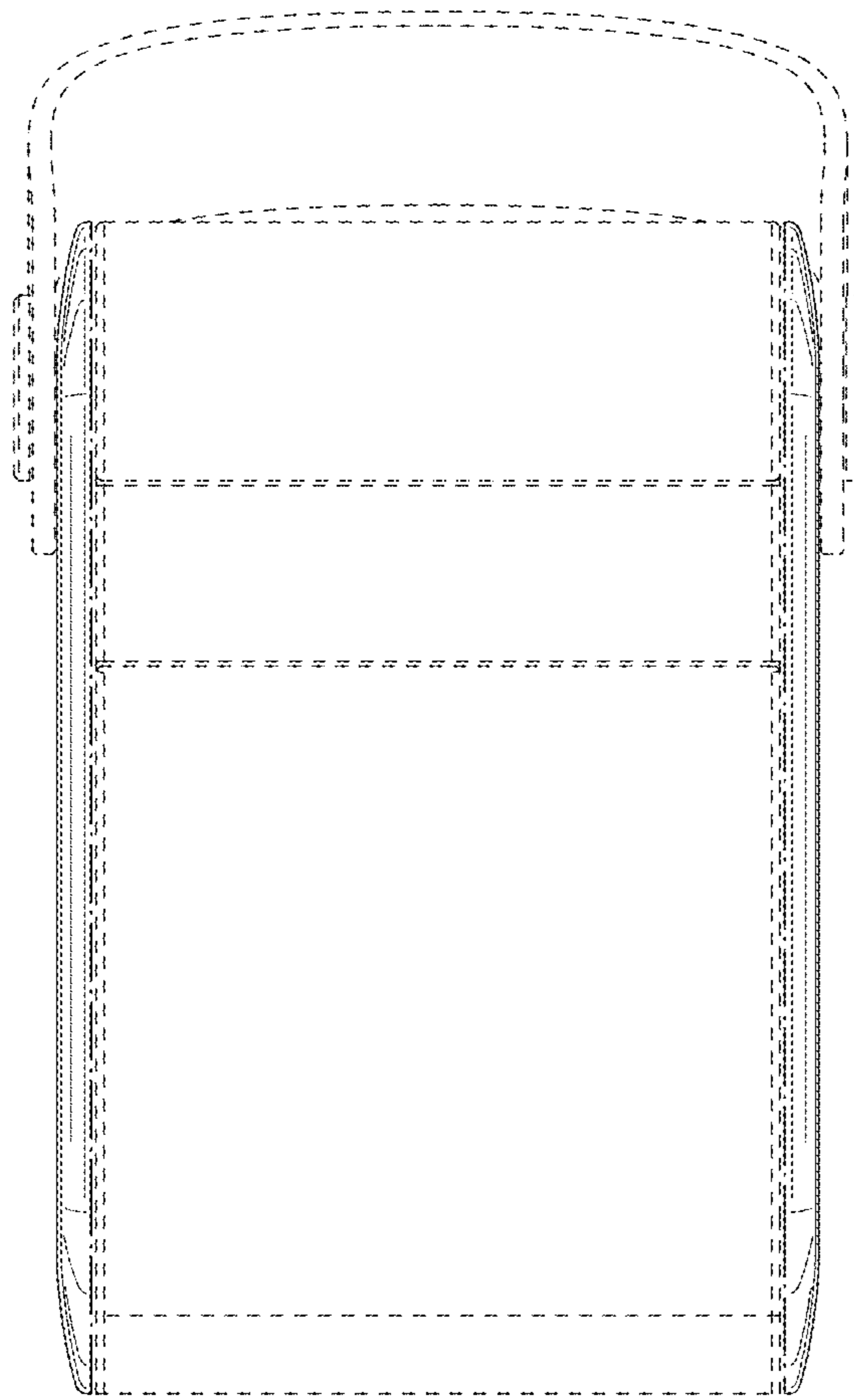


FIG.10

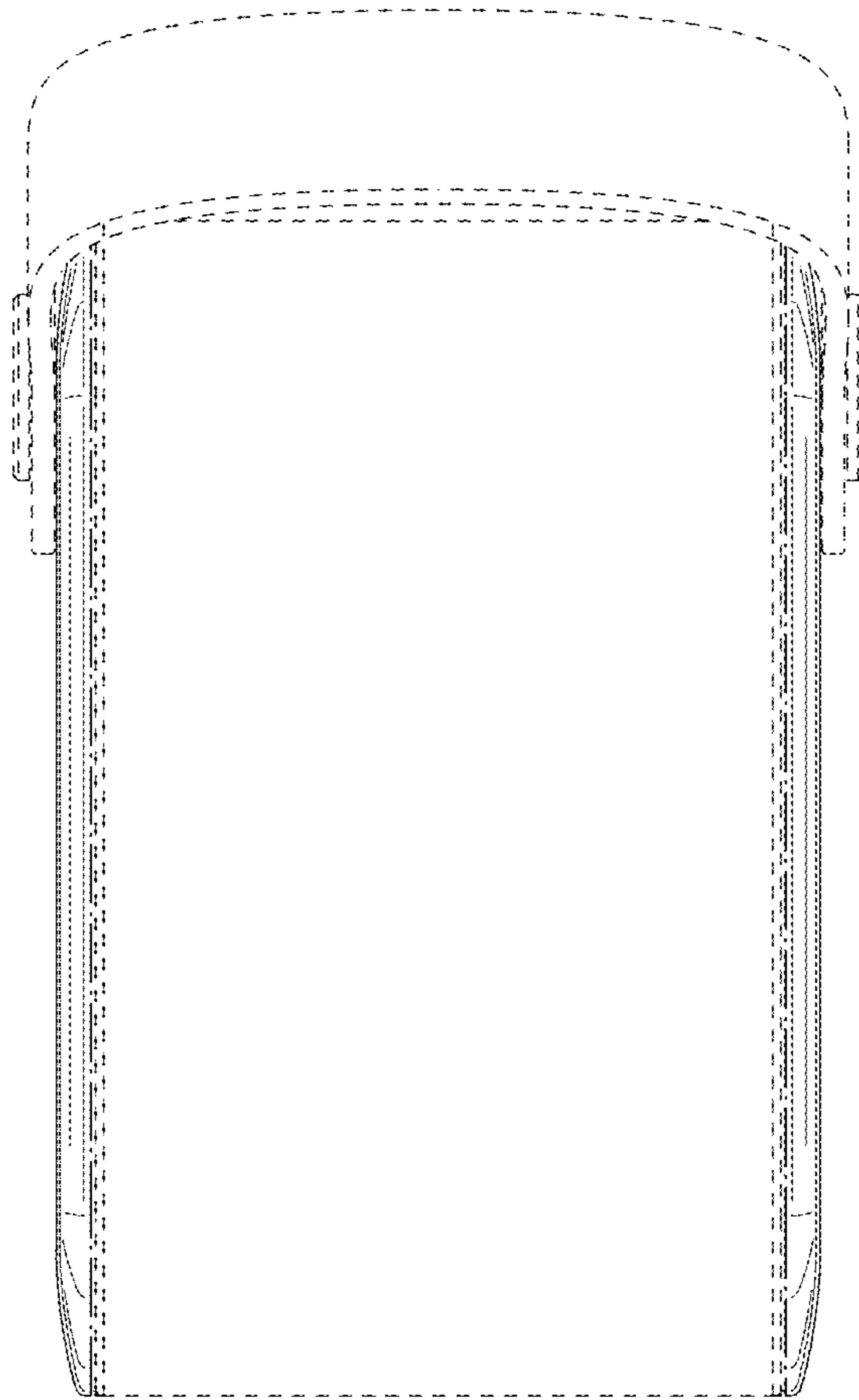


FIG.11

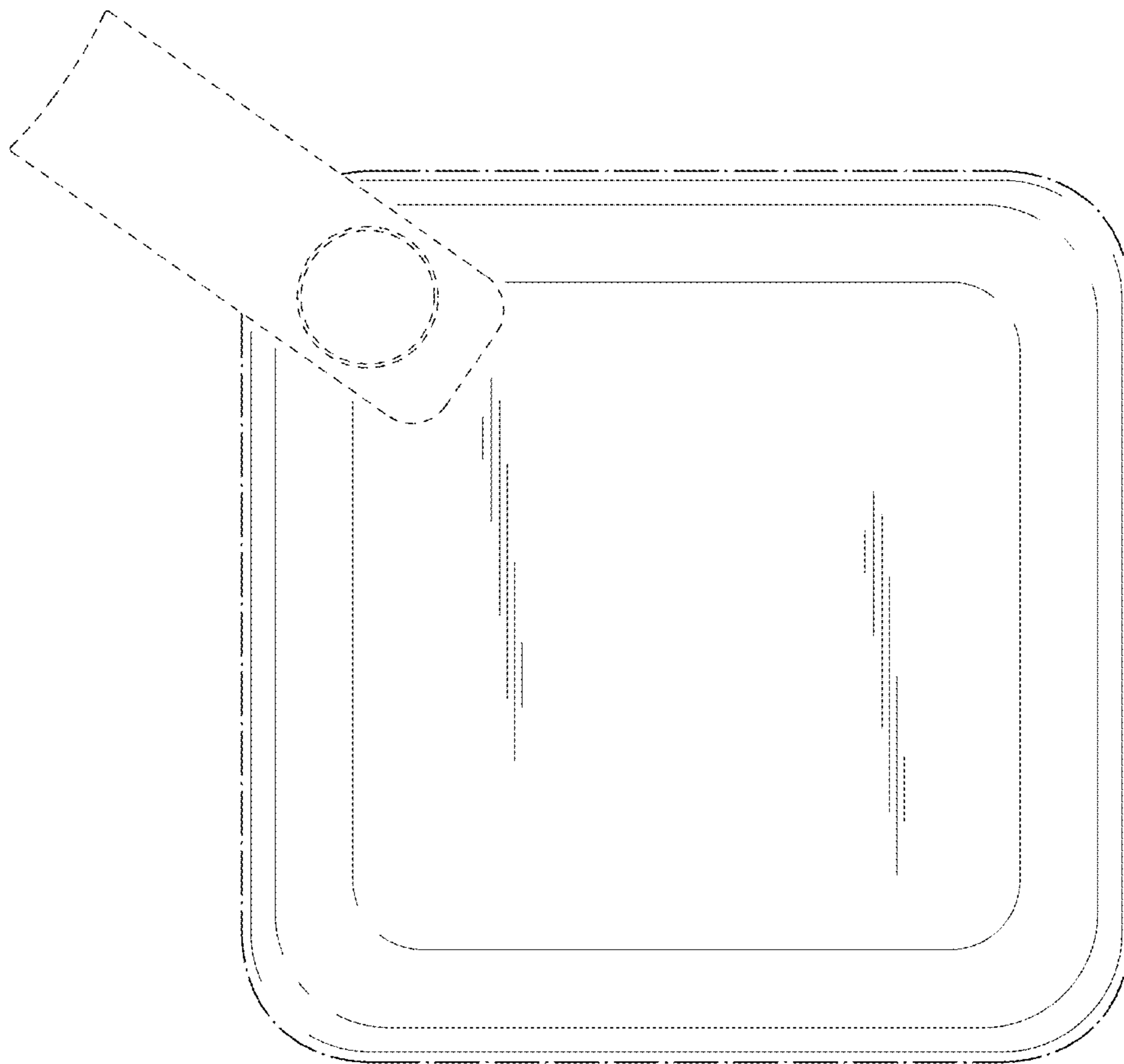


FIG.12

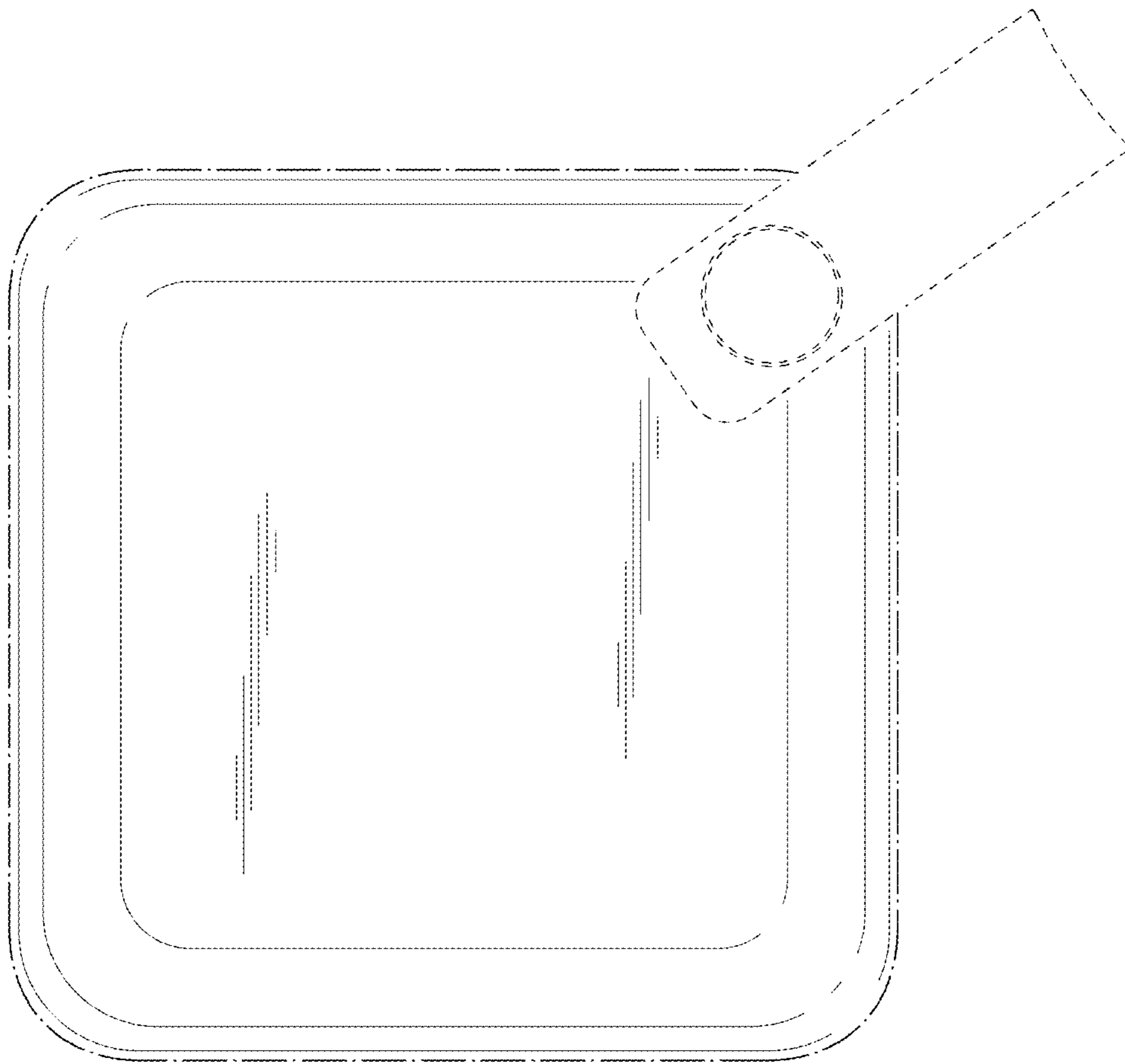


FIG.13

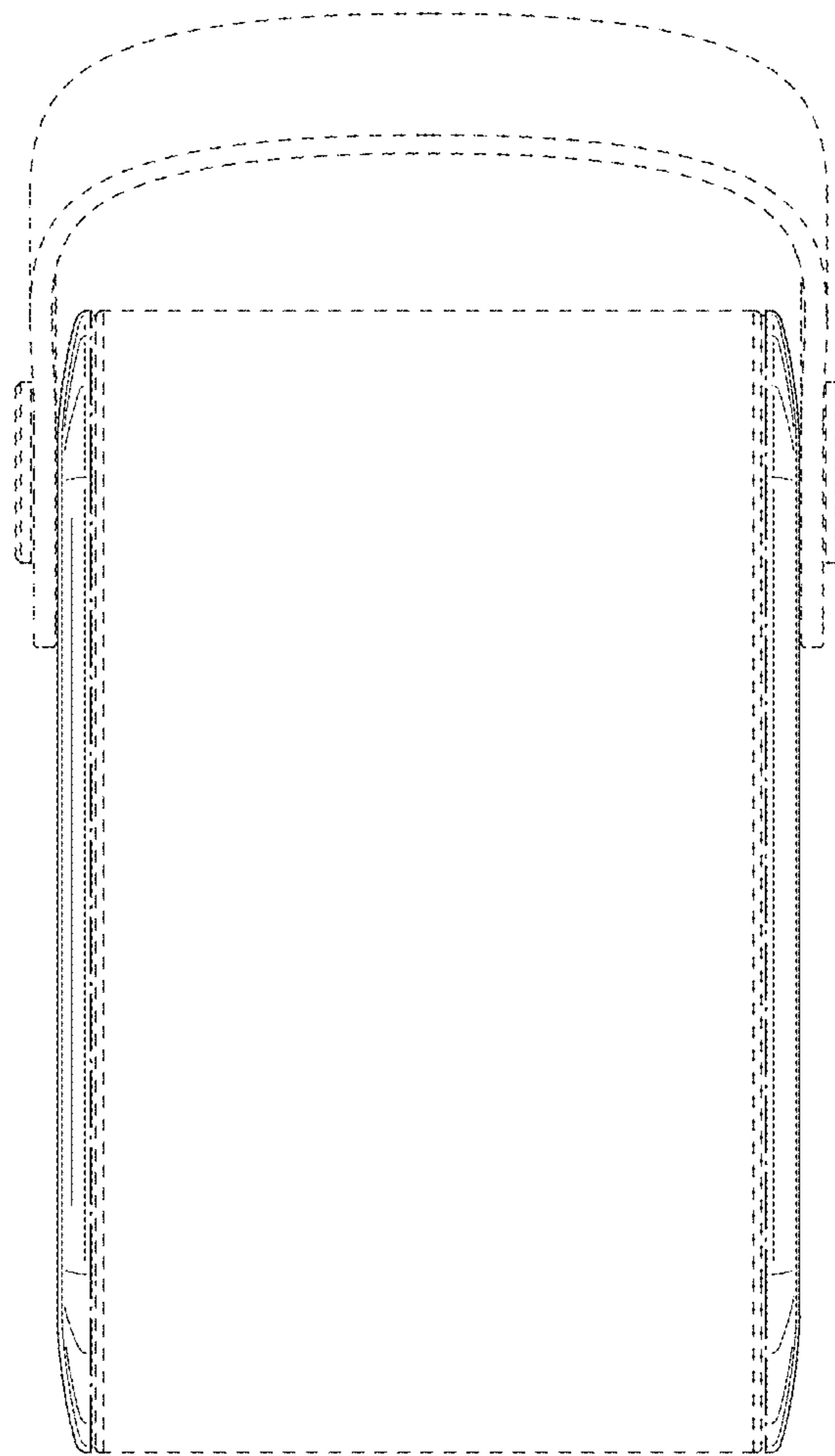


FIG.14

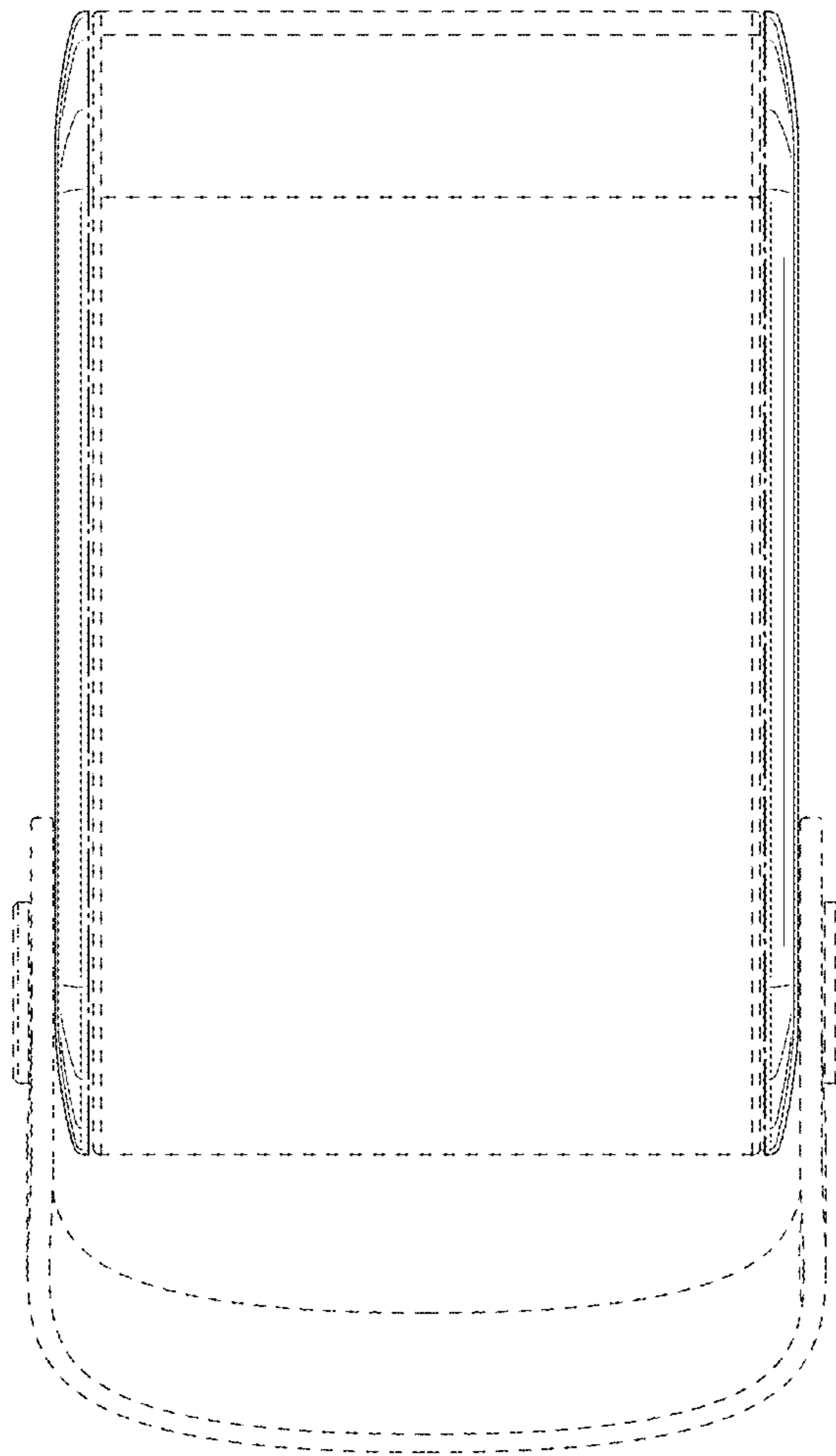


FIG.15

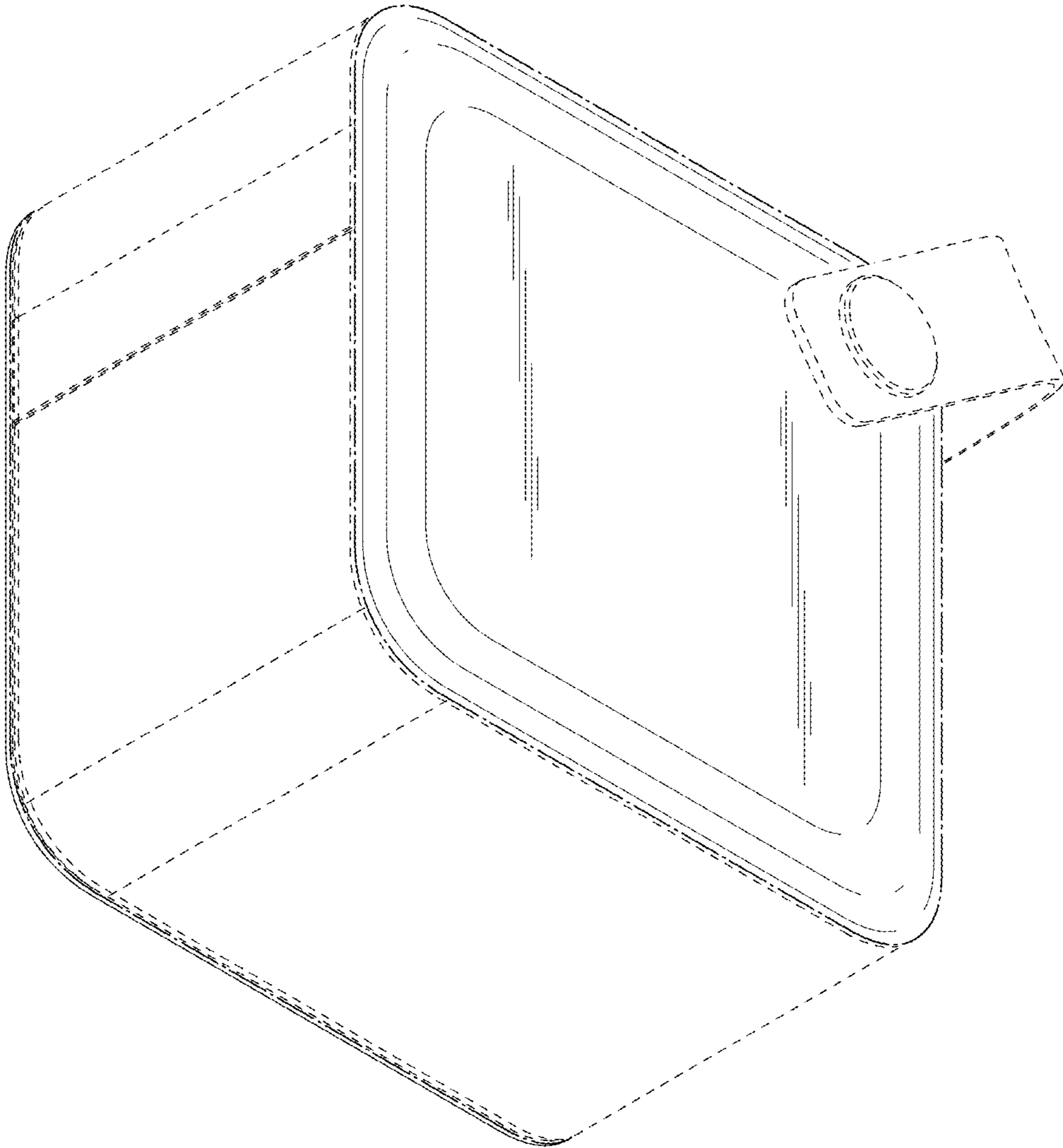


FIG. 16

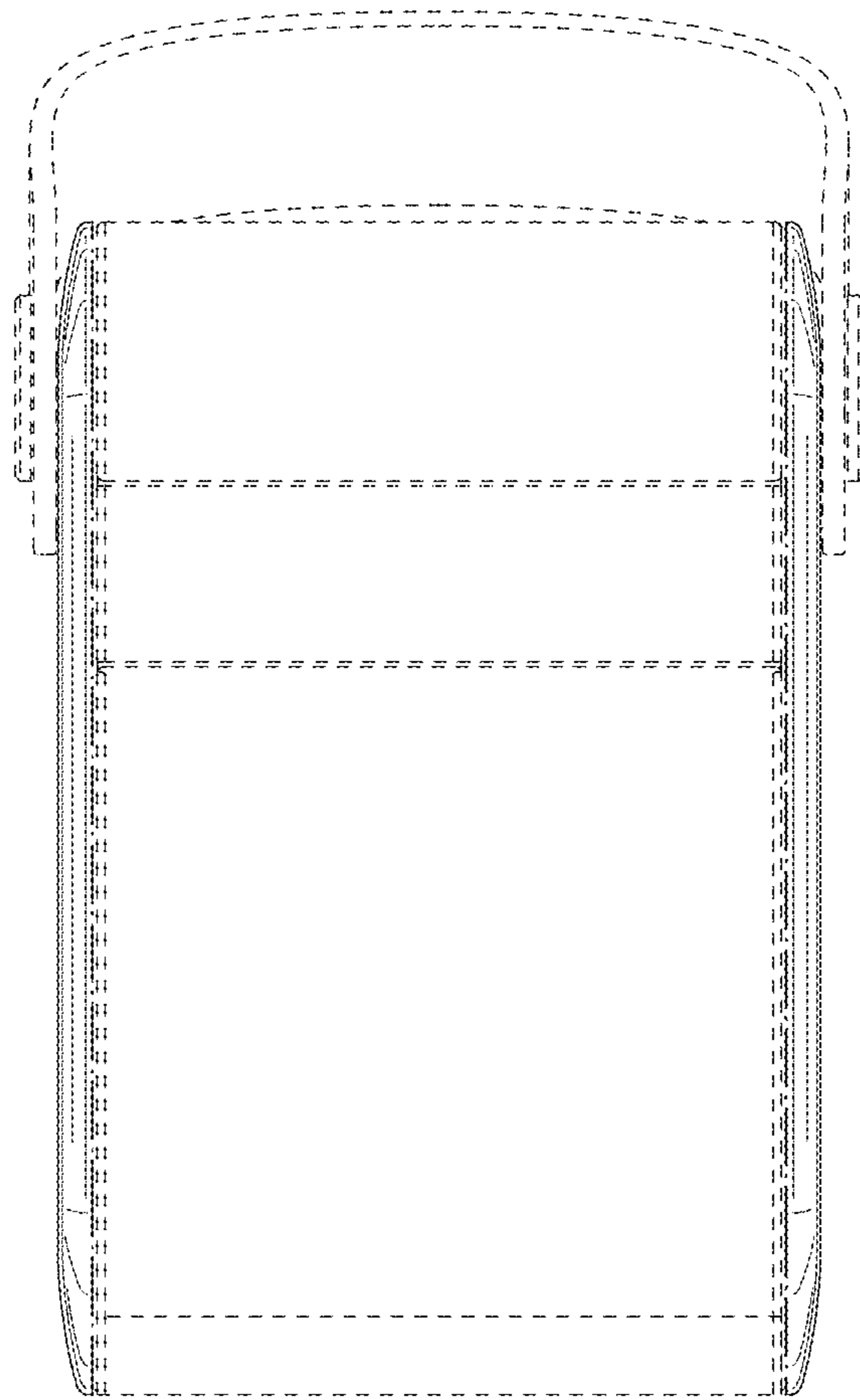


FIG.17

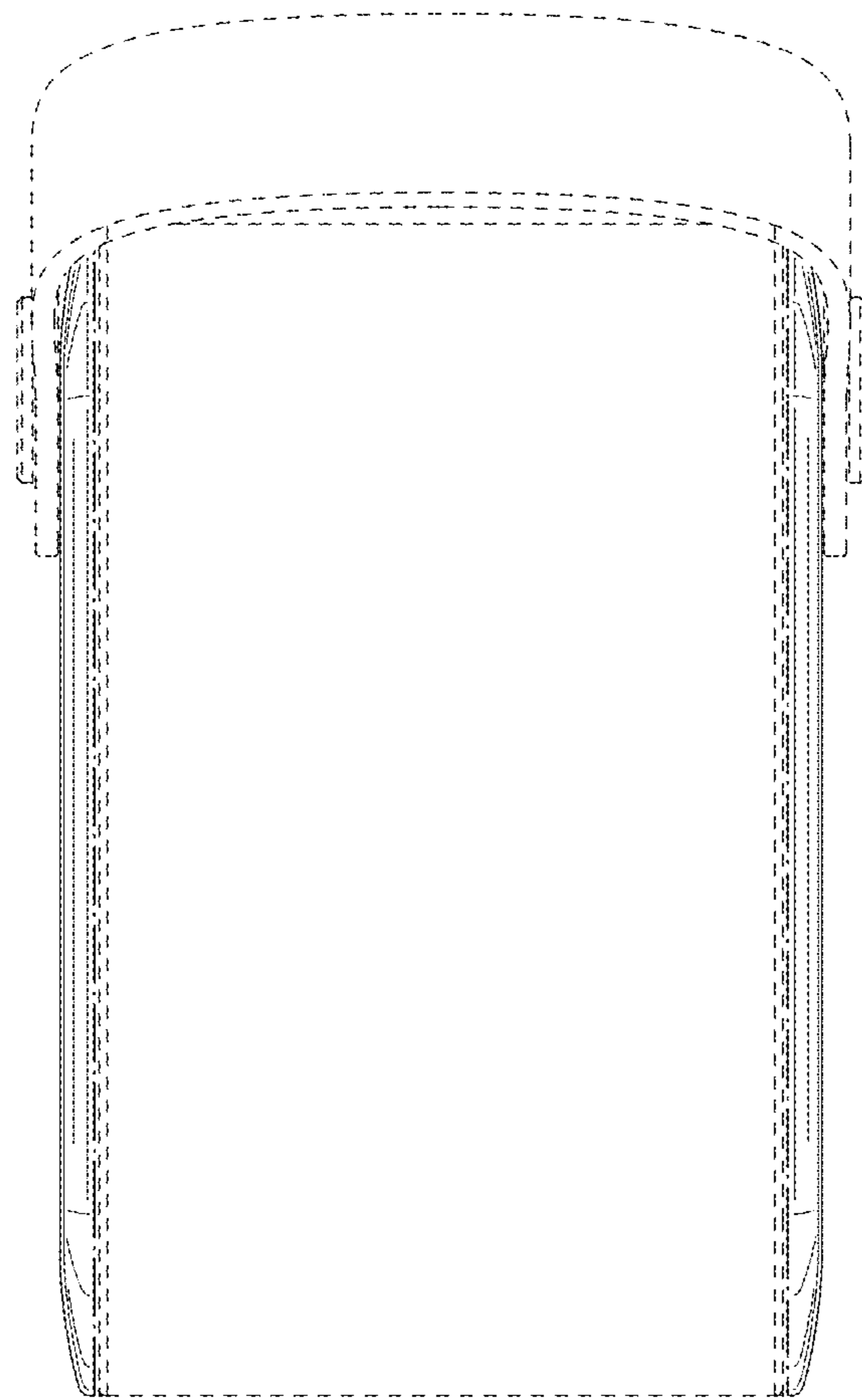


FIG.18

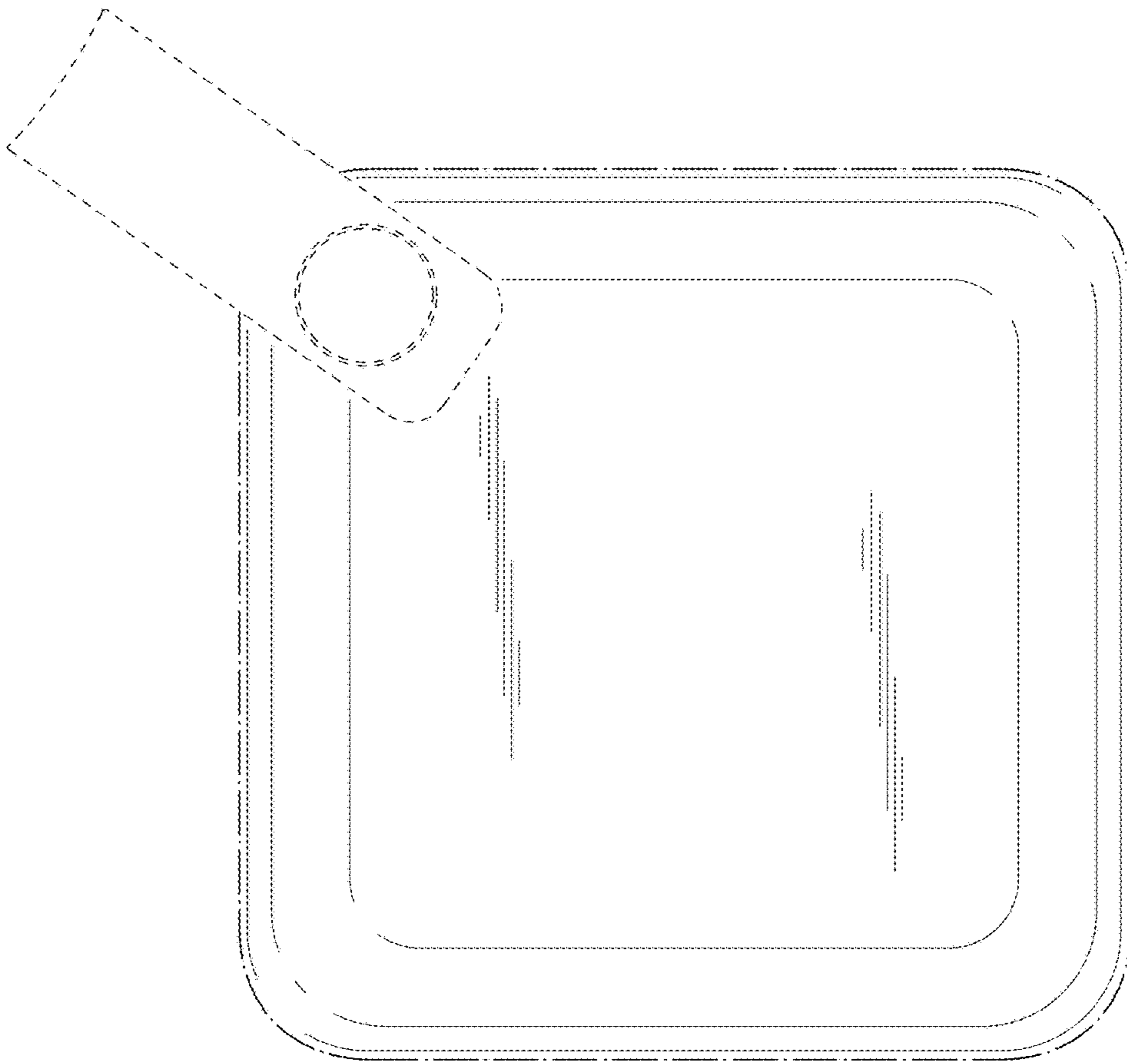


FIG. 19

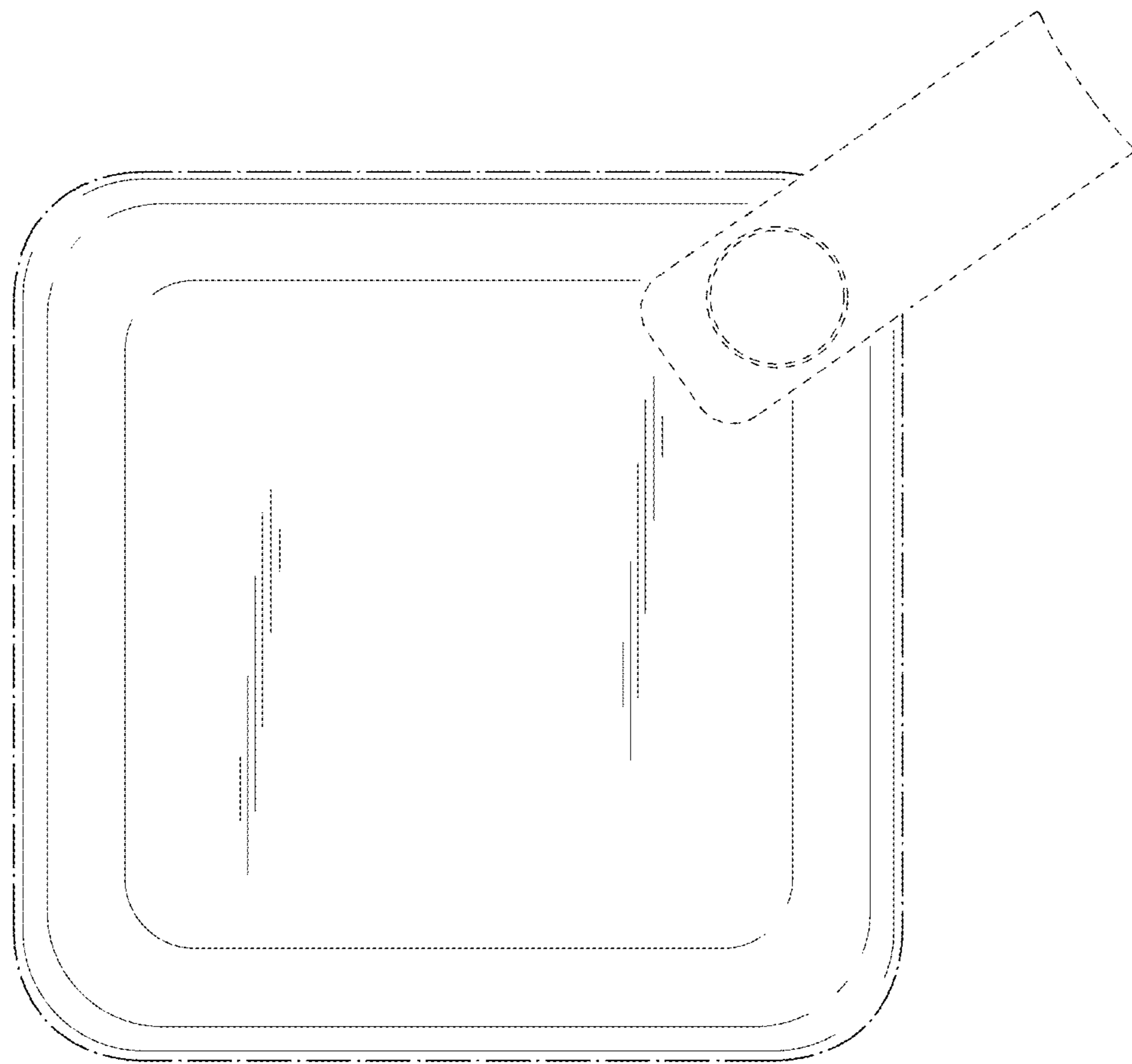


FIG.20

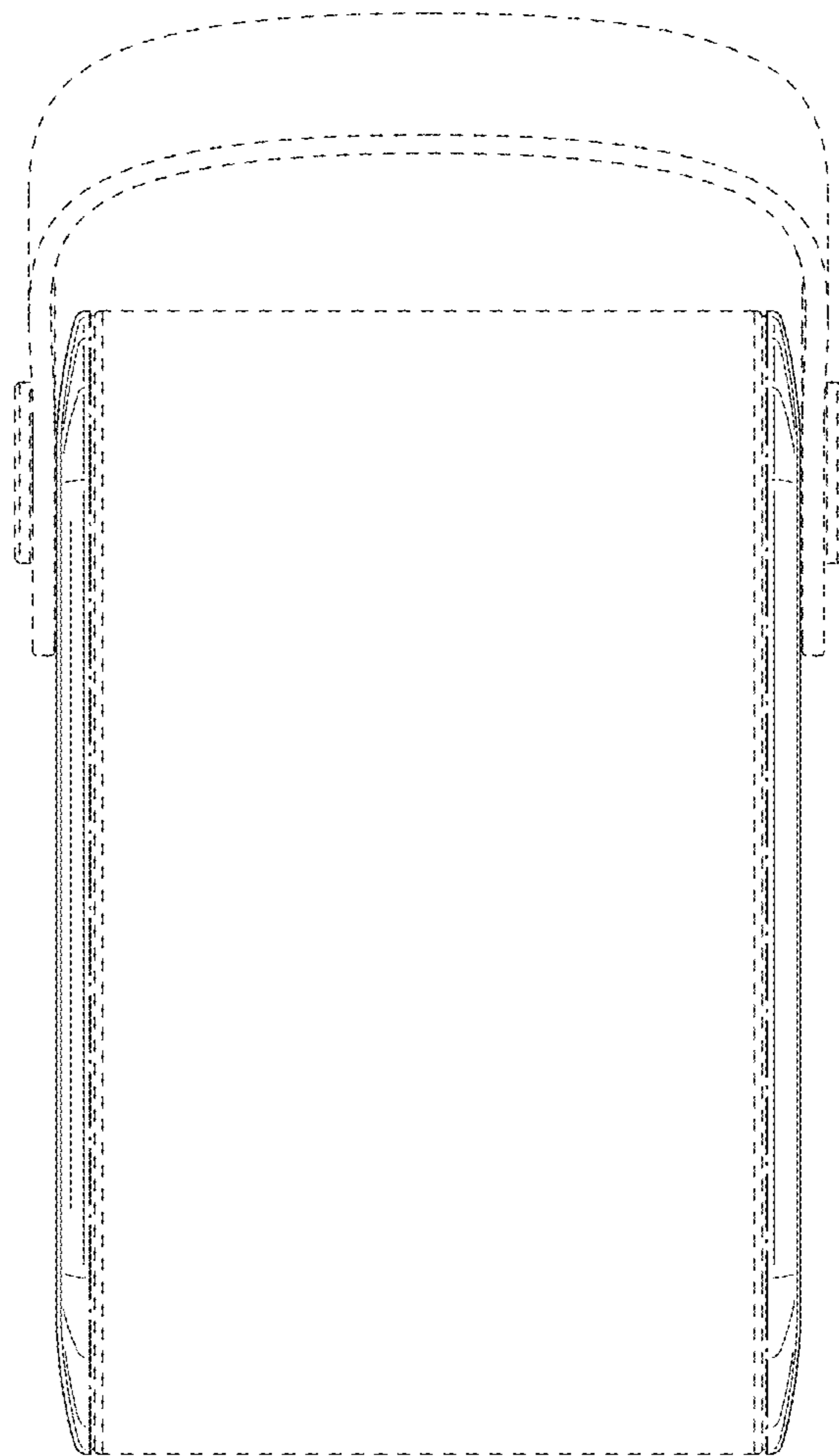


FIG.21

