



US00D774583S

(12) **United States Design Patent** (10) **Patent No.:** **US D774,583 S**
Benning et al. (45) **Date of Patent:** **** Dec. 20, 2016**

(54) **CAMERA HOUSING**

(71) Applicant: **Rosemount Aerospace Inc.**, Burnsville, MN (US)

(72) Inventors: **Kevin John Benning**, Lakeville, MN (US); **Jonathan L. Boer**, Lakeville, MN (US); **Wallace Johnson**, Prior Lake, MN (US); **Eric L. Lovaasen**, Chaska, MN (US); **Richard Alan Schwartz**, Faribault, MN (US)

(73) Assignee: **Rosemount Aerospace Inc.**, Burnsville, MN (US)

(**) Term: **14 Years**

(21) Appl. No.: **29/449,518**

(22) Filed: **Mar. 15, 2013**

(51) **LOC (10) Cl.** **16-01**

(52) **U.S. Cl.**
USPC **D16/200**

(58) **Field of Classification Search**
USPC D16/200, 202–204, 208, 210, 218, 219;
340/937, 945, 961; 348/143, 148, 151,
348/360, 373–376; 396/419, 427, 429,
396/529, 535, 539–541; 250/332
CPC G03B 15/03; G03B 17/02; G03B 17/04;
G03B 17/48; G03B 17/56; G03B 19/04;
G08G 1/0175; H04N 5/2251; H04N
5/2252; H04N 5/2253; H04N
5/2254; H04N 2101/00
See application file for complete search history.

(56) **References Cited**

U.S. PATENT DOCUMENTS

D334,763 S * 4/1993 Sedighzadeh et al. D16/203
D395,056 S * 6/1998 Delaey D16/203
D416,569 S * 11/1999 Green D16/201
D453,350 S * 2/2002 Fenton et al. D16/203
D489,475 S * 5/2004 Bender et al. D26/120
D556,233 S * 11/2007 Webb et al. D16/203
D558,811 S * 1/2008 Higgins et al. D16/203

D629,436 S * 12/2010 Cheng et al. D16/203
D700,231 S * 2/2014 Berkmortel D16/203
2008/0173816 A1* 7/2008 Everett B60R 11/04
250/332

OTHER PUBLICATIONS

www.Airliners.net <<http://www.Airliners.net>>—Aug. 8, 2013.
http://www.diecastaircraftforum.com/1-1-scale-commercial-aviation/59626-forward-camera-b777.html&docid=SEnp_dUEGRRspM&imgurl=http://i7.photobucket.com/albums/y268/kevinfong316/P1030327Medium.jpg&w=800&h=600&ei=nLvmUfPhNoKxywH6toG4Dg&zoom=1&biw=938&bih=614&iact=rc&dur=33&page=1&tbnh=142&tbnw=181&start=0&ndsp=15&ved=lt:429,r:8,s:0,i:105&tx=46&ty=88—Aug. 8, 2013.
http://www.wipaire.com/services/avionics_flypage.php?article_id=87—Aug. 8, 2013.

* cited by examiner

Primary Examiner — Susan E Krakower

Assistant Examiner — Ramzi Almatrahi

(74) *Attorney, Agent, or Firm* — Locke Lord LLP

(57) **CLAIM**

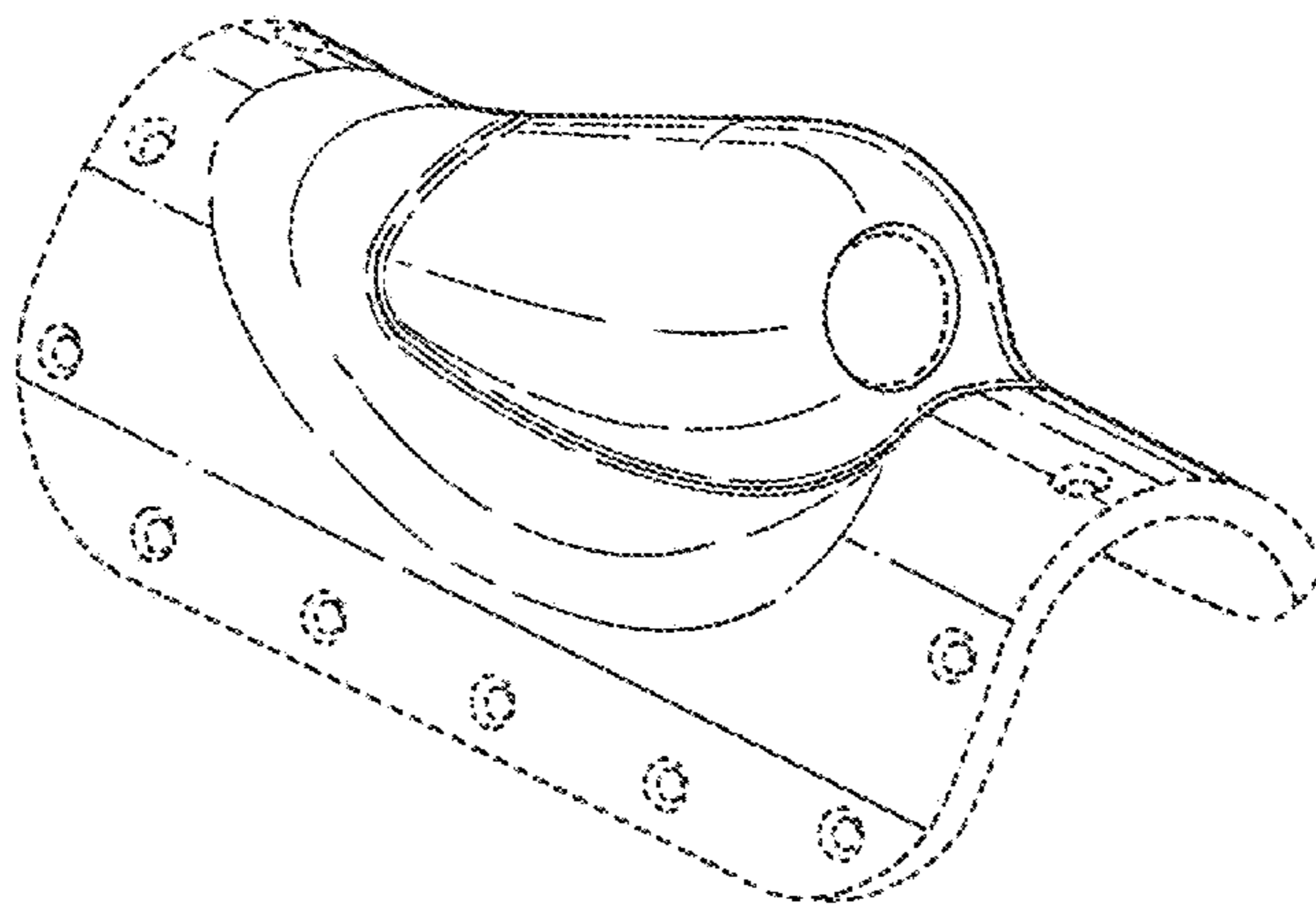
The ornamental design for a camera housing, as shown and described.

DESCRIPTION

FIG. 1 is a perspective view of a camera housing showing our new design;
FIG. 2 is a left side elevation view of the camera housing shown in FIG. 1;
FIG. 3 is a top plan view of the camera housing shown in FIG. 1;
FIG. 4 is a front elevation view of the camera housing shown in FIG. 1; and,
FIG. 5 is a back elevation view of the camera housing shown in FIG. 1.

The broken lines depict portions of a camera housing in which the design is embodied and form no part of the claimed design.

1 Claim, 2 Drawing Sheets



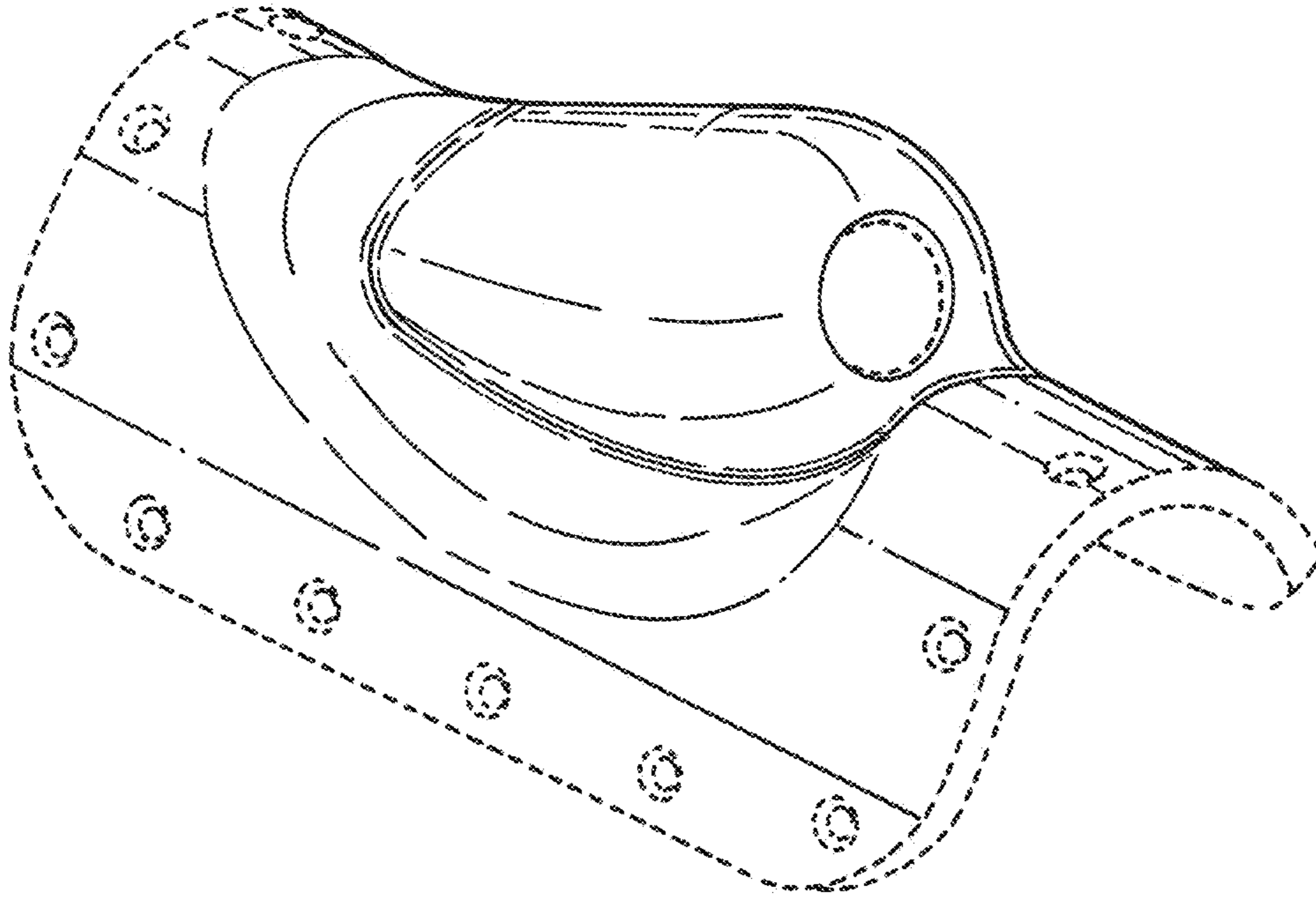


Fig. 1

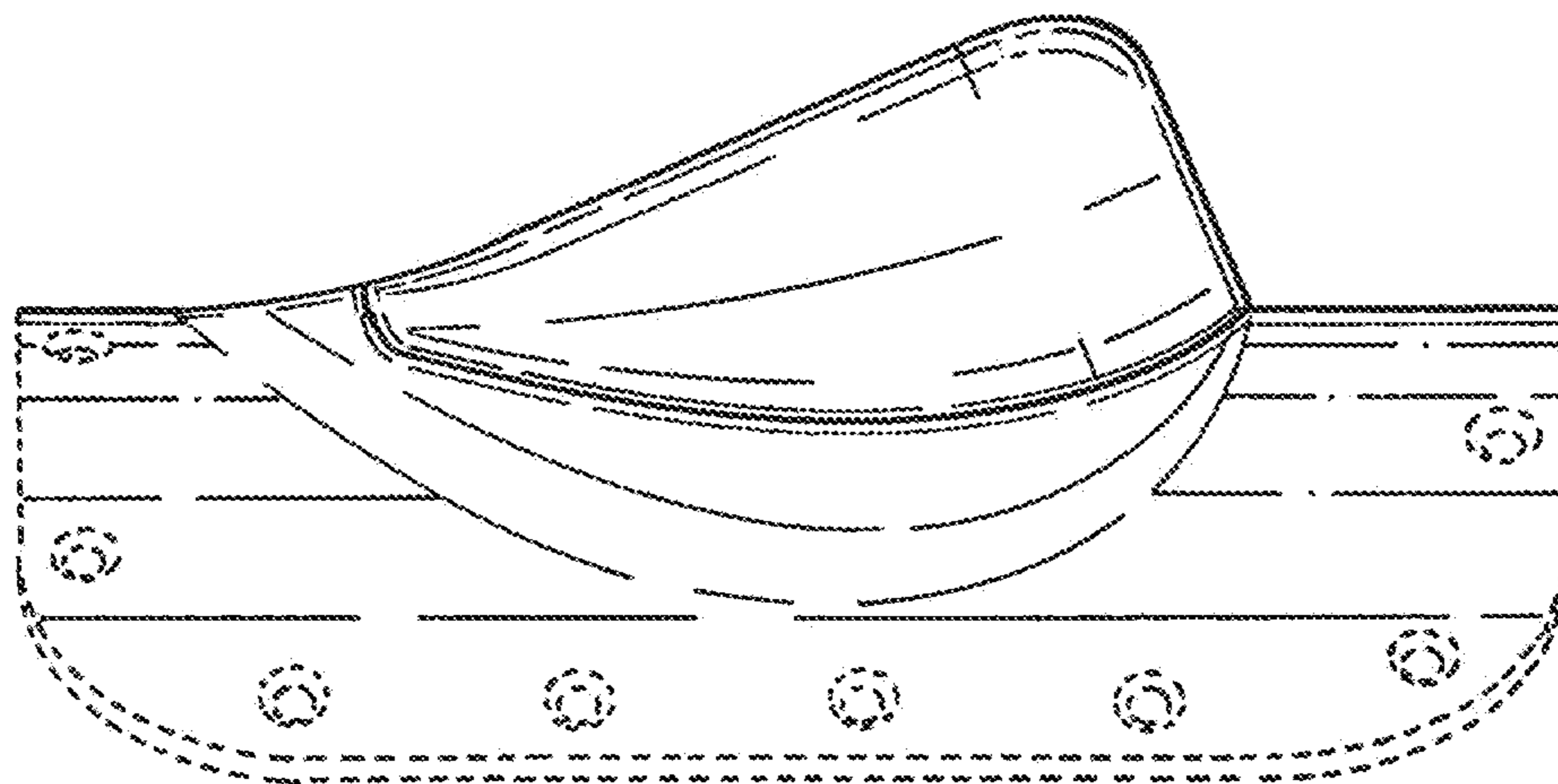


Fig. 2

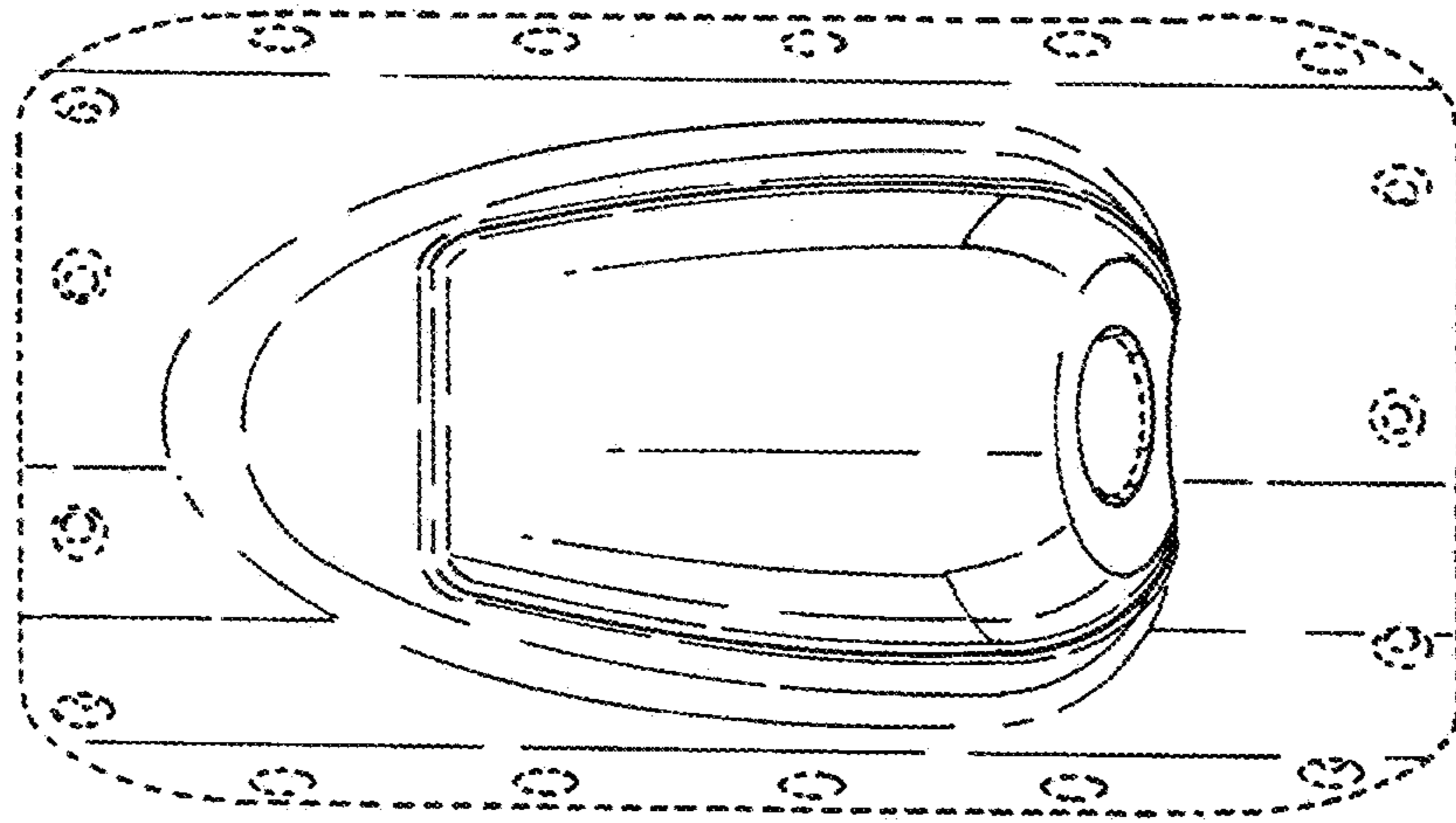


Fig. 3

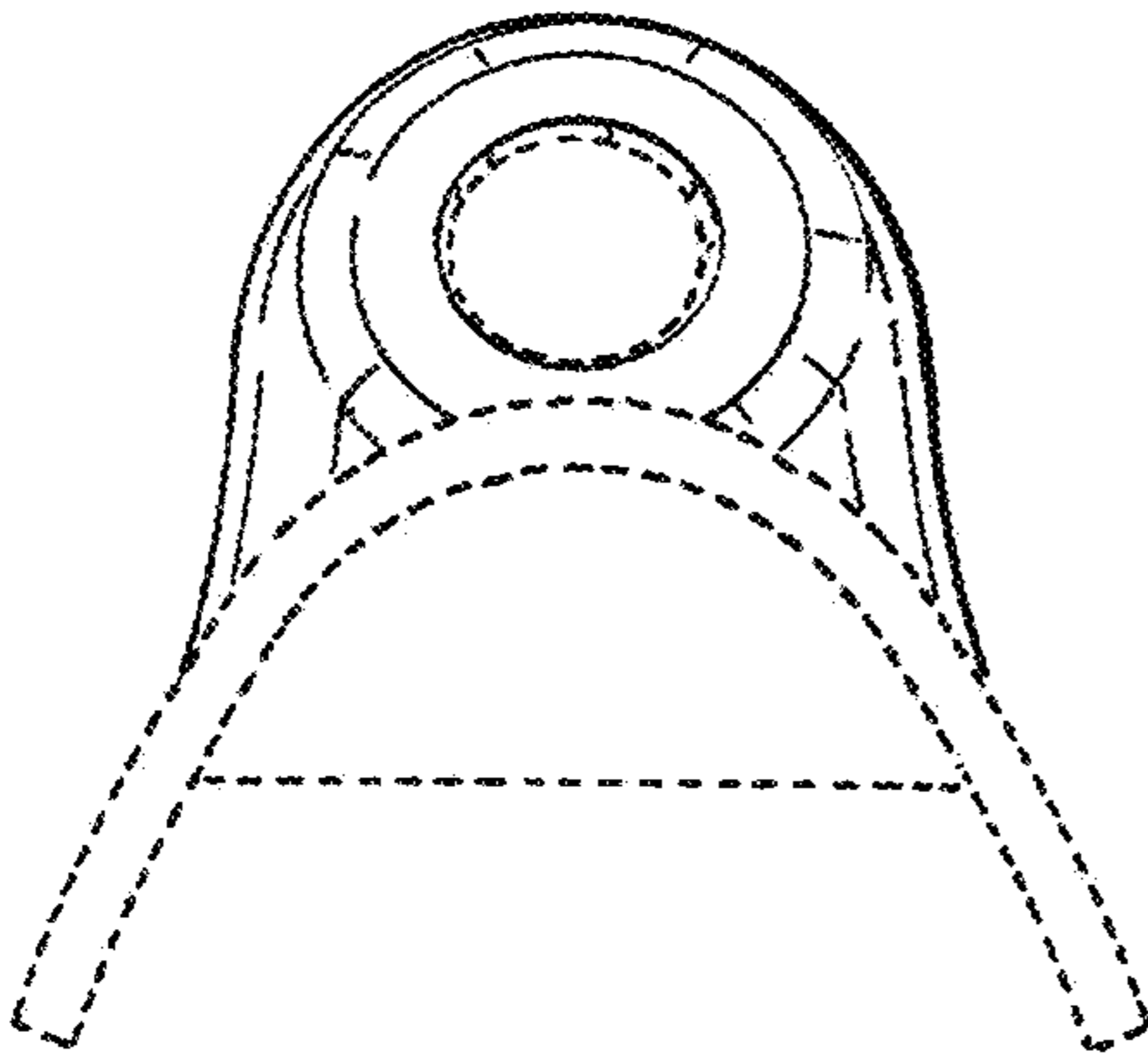


Fig. 4

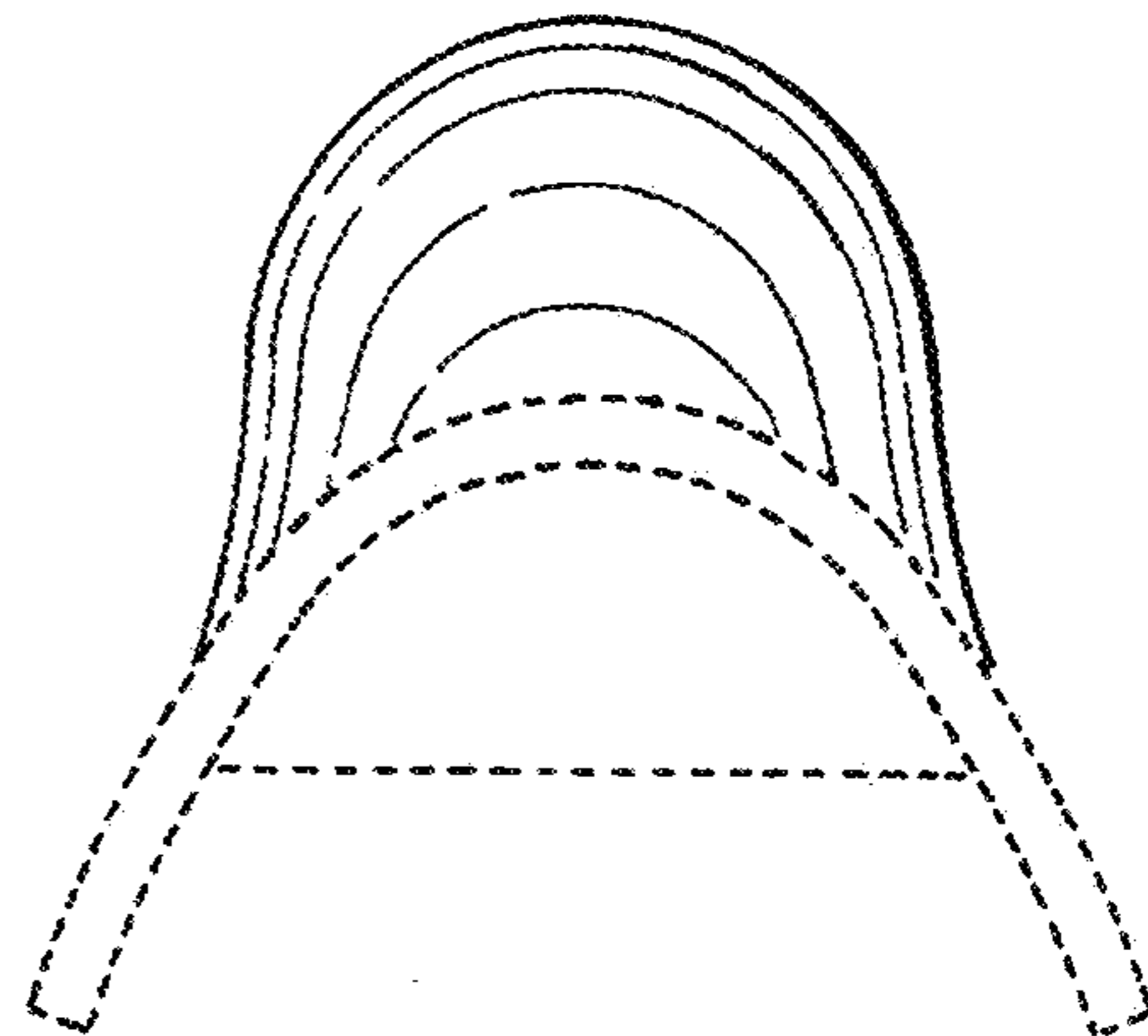


Fig. 5