



US00D774582S

(12) **United States Design Patent** (10) **Patent No.:** **US D774,582 S**
Tang (45) **Date of Patent:** **** Dec. 20, 2016**

(54) **FOLDING MAGNIFIER**

(74) *Attorney, Agent, or Firm* — Leydig, Voit & Mayer

(71) Applicants: **Great Wall (Optical) Plastic Works Limited**, Hong Kong (CN); **R' Ideas Limited**, Santa Rosa, CA (US)

(57) **CLAIM**

I claim the ornamental design for a folding magnifier, as shown and described.

(72) Inventor: **Yu Freeman Tang**, Hong Kong (CN)

(73) Assignee: **Great Wall (Optical) Plastic Works Limited**, Cheung Sha Wan, Kowloon (HK)

DESCRIPTION

(**) Term: **14 Years**

(21) Appl. No.: **29/524,837**

(22) Filed: **Apr. 23, 2015**

(51) **LOC (10) Cl.** **16-06**

(52) **U.S. Cl.**
USPC **D16/135**

(58) **Field of Classification Search**
USPC 359/399, 480, 672, 742, 800, 802–805,
359/809, 808, 810, 811, 813, 817;
D10/69; 220/345.4, 329, 331, 337, 338;
D28/77, 83; D3/207, 208, 212; D21/483,
D21/330, 333; D16/130–136, 200, 225,
D16/229

See application file for complete search history.

FIG. 1 is a first perspective view of the folding magnifier with the lense retracted;
FIG. 2 is a second perspective view of the folding magnifier with the lense retracted;
FIG. 3 is a right side view of the folding magnifier with the lense retracted;
FIG. 4 is a front side view of the folding magnifier with the lense retracted;
FIG. 5 is a top view of the folding magnifier with the lense retracted;
FIG. 6 is a left side view of the folding magnifier with the lense retracted;
FIG. 7 is a rear side view of the folding magnifier with the lense retracted;
FIG. 8 is a bottom view of the folding magnifier with the lense retracted;
FIG. 9 is a first perspective view of the folding magnifier with the lense extended;
FIG. 10 is a second perspective view of the folding magnifier with the lense extended;
FIG. 11 is a right side view of the folding magnifier with the lense extended;
FIG. 12 is a front side view of the folding magnifier with the lense extended;
FIG. 13 is a top view of the folding magnifier with the lense extended;
FIG. 14 is a left side view of the folding magnifier with the lense extended;
FIG. 15 is a rear side view of the folding magnifier with the lense extended; and,
FIG. 16 is a bottom view of the folding magnifier with the lense extended.

(56) **References Cited**

U.S. PATENT DOCUMENTS

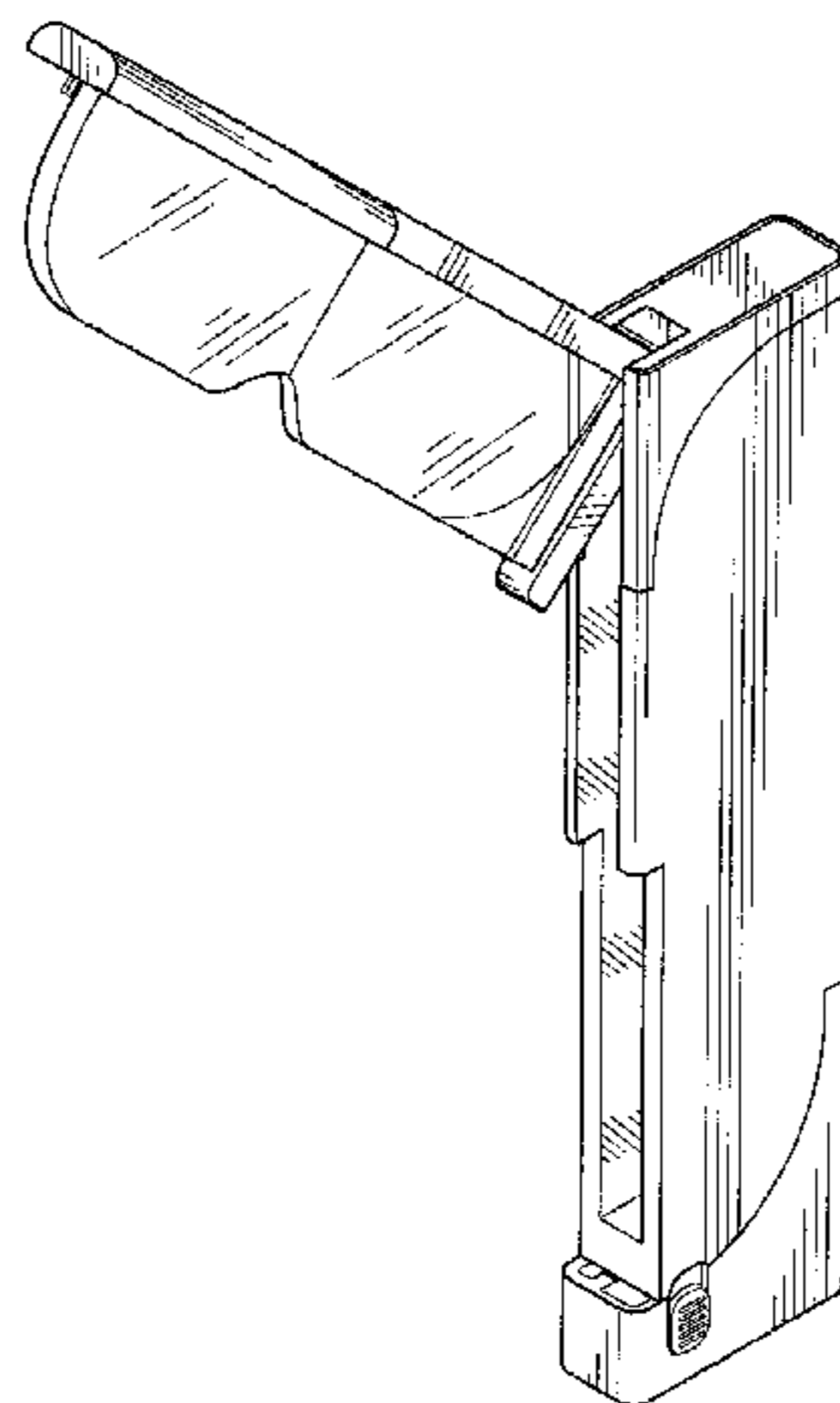
D140,252 S * 2/1945 Herbert D16/135
4,707,088 A * 11/1987 Tabacchi G02C 3/04
206/5
D365,363 S * 12/1995 Terino D16/135
D372,924 S * 8/1996 Fisherman D16/135
D406,853 S * 3/1999 Chan D16/135
D443,410 S * 6/2001 Soejanto D3/212
D497,377 S * 10/2004 Waggoner D16/135
D512,451 S * 12/2005 Usui D16/309

(Continued)

Primary Examiner — Susan Bennett Hattan

Assistant Examiner — Jennifer Wright

1 Claim, 7 Drawing Sheets



(56)

References Cited

U.S. PATENT DOCUMENTS

D550,264	S	*	9/2007	Chan	D16/135
D589,546	S	*	3/2009	Levine	D16/135
D629,433	S	*	12/2010	Holland	D16/135
D636,986	S	*	5/2011	Idsoe	D3/208
D665,438	S	*	8/2012	Jim	D16/135
D668,280	S	*	10/2012	Jim	D16/135
D709,937	S	*	7/2014	Goldenberg	D16/135
D747,603	S	*	1/2016	Gaddis	D3/208
D754,428	S	*	4/2016	Tunney	D3/207
2005/0213226	A1	*	9/2005	Waggoner	G02B 25/02 359/803

* cited by examiner

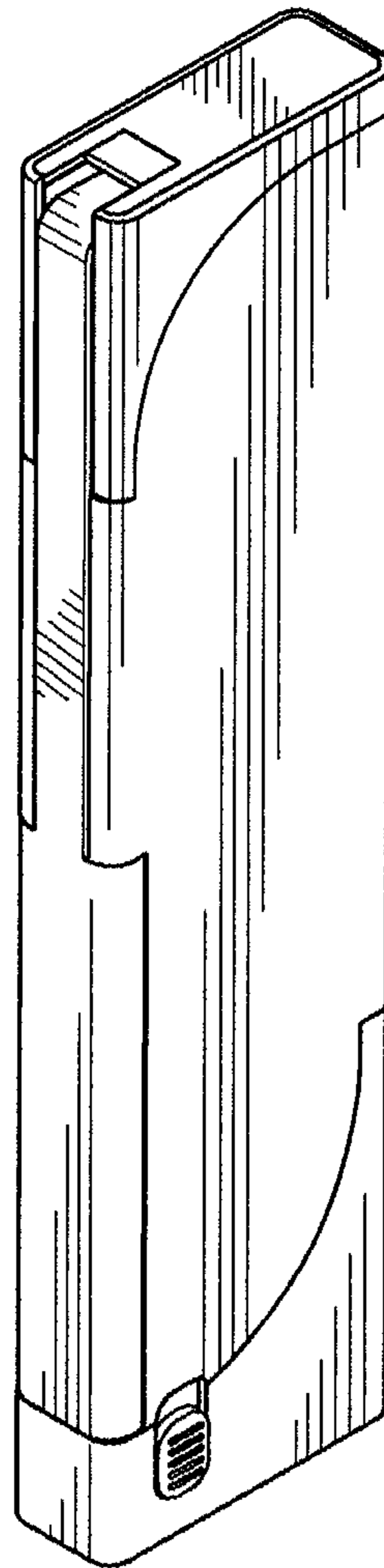


FIG. 1

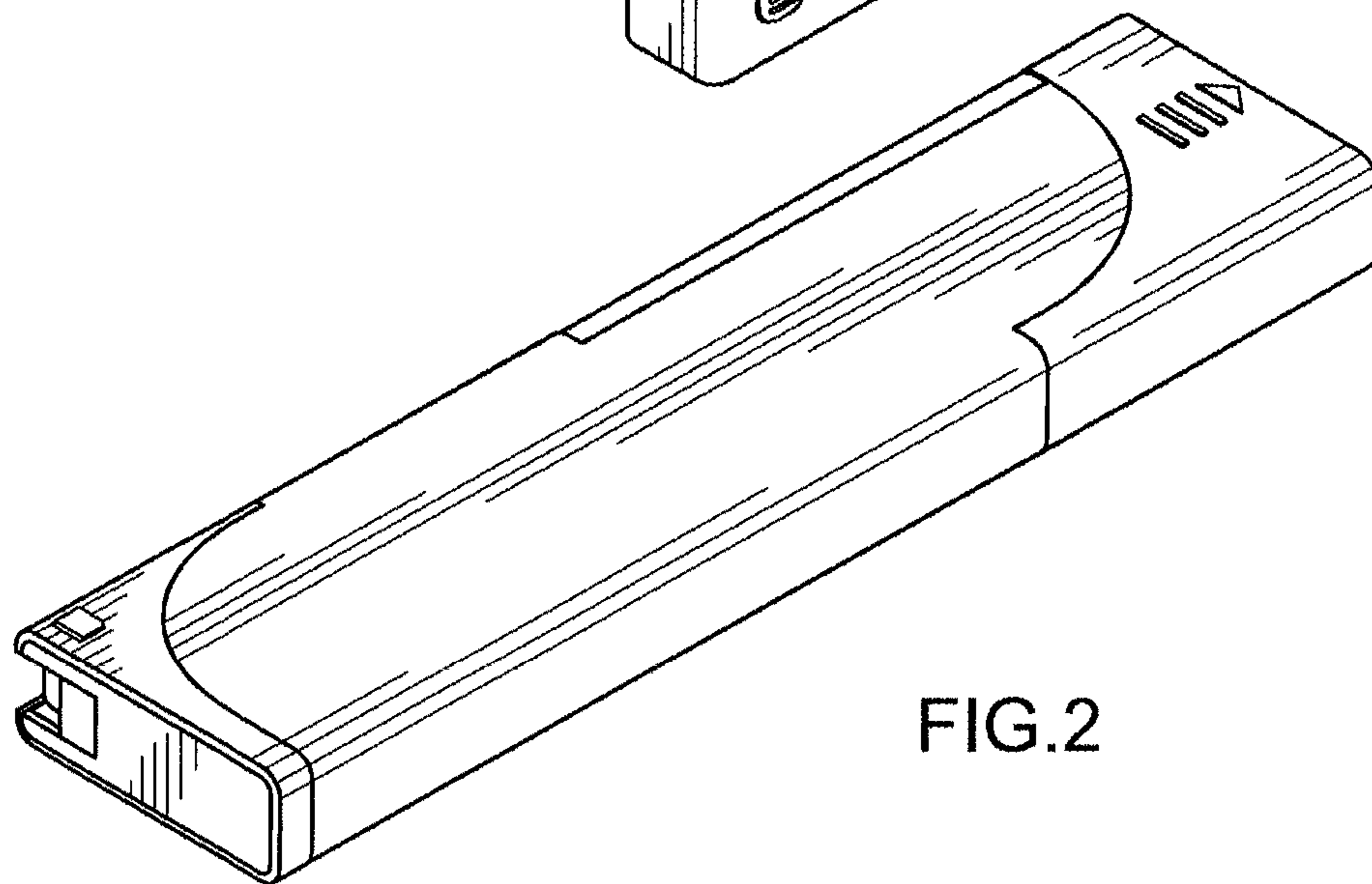


FIG. 2

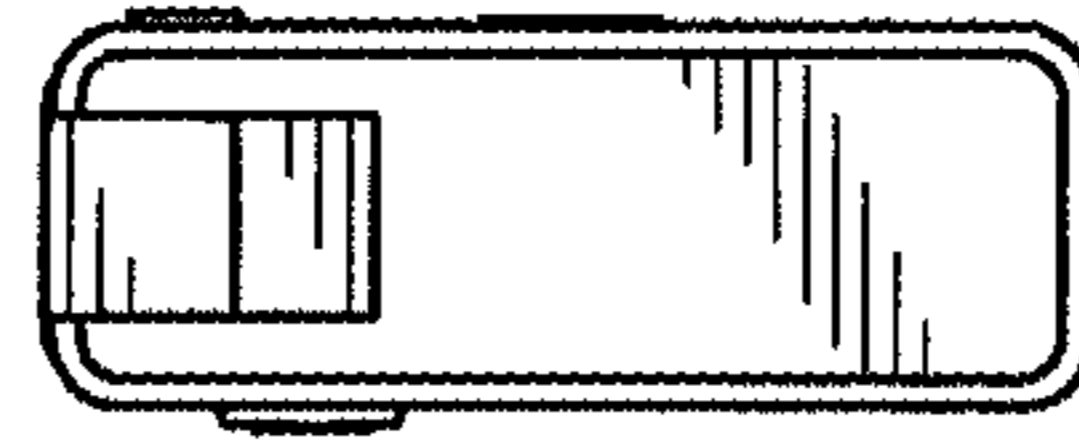


FIG. 5

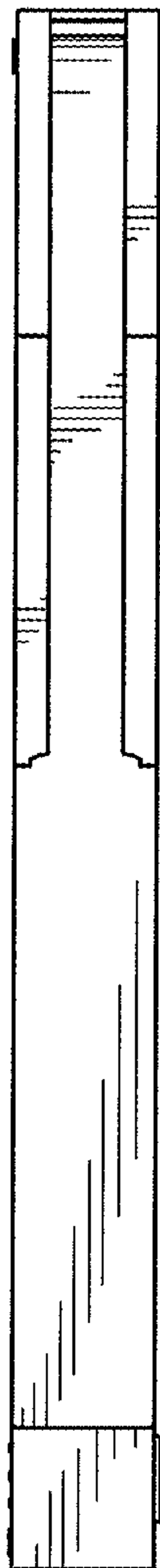


FIG. 4

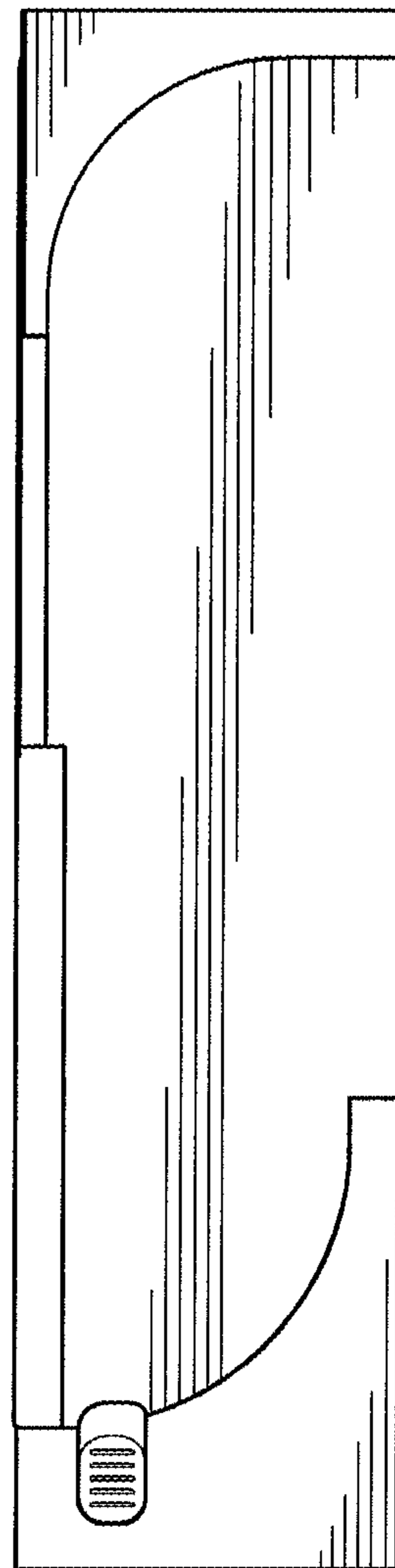


FIG. 3

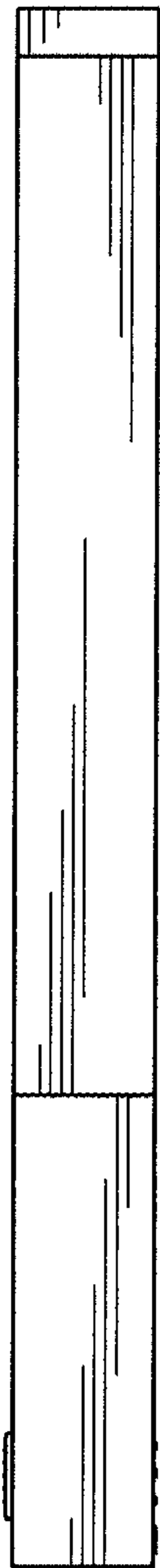


FIG. 7

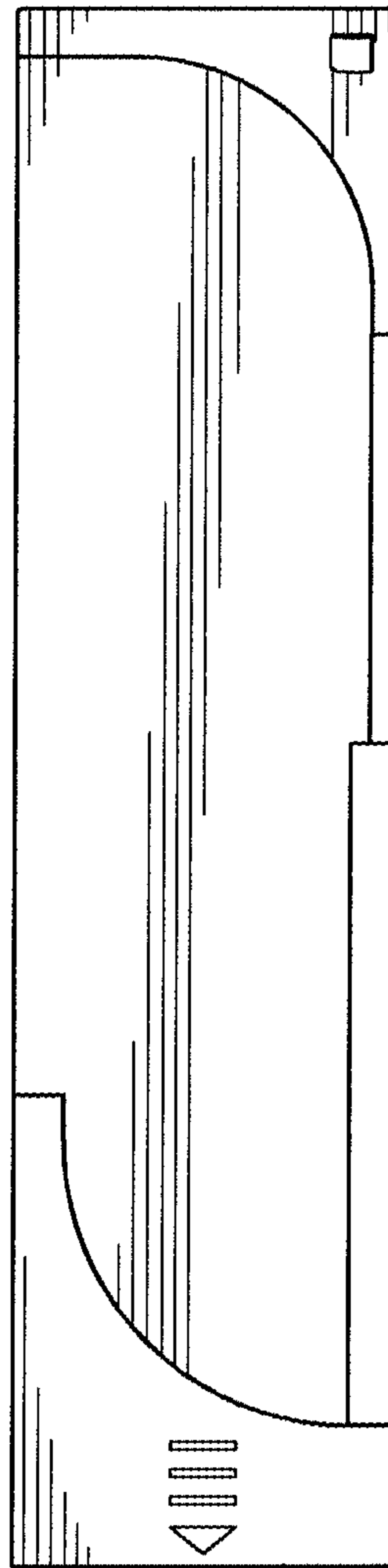


FIG. 6

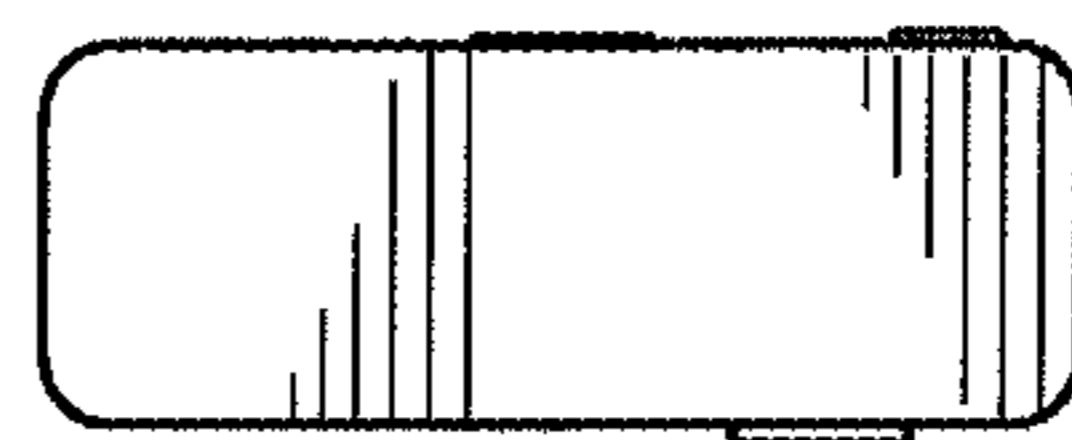


FIG. 8

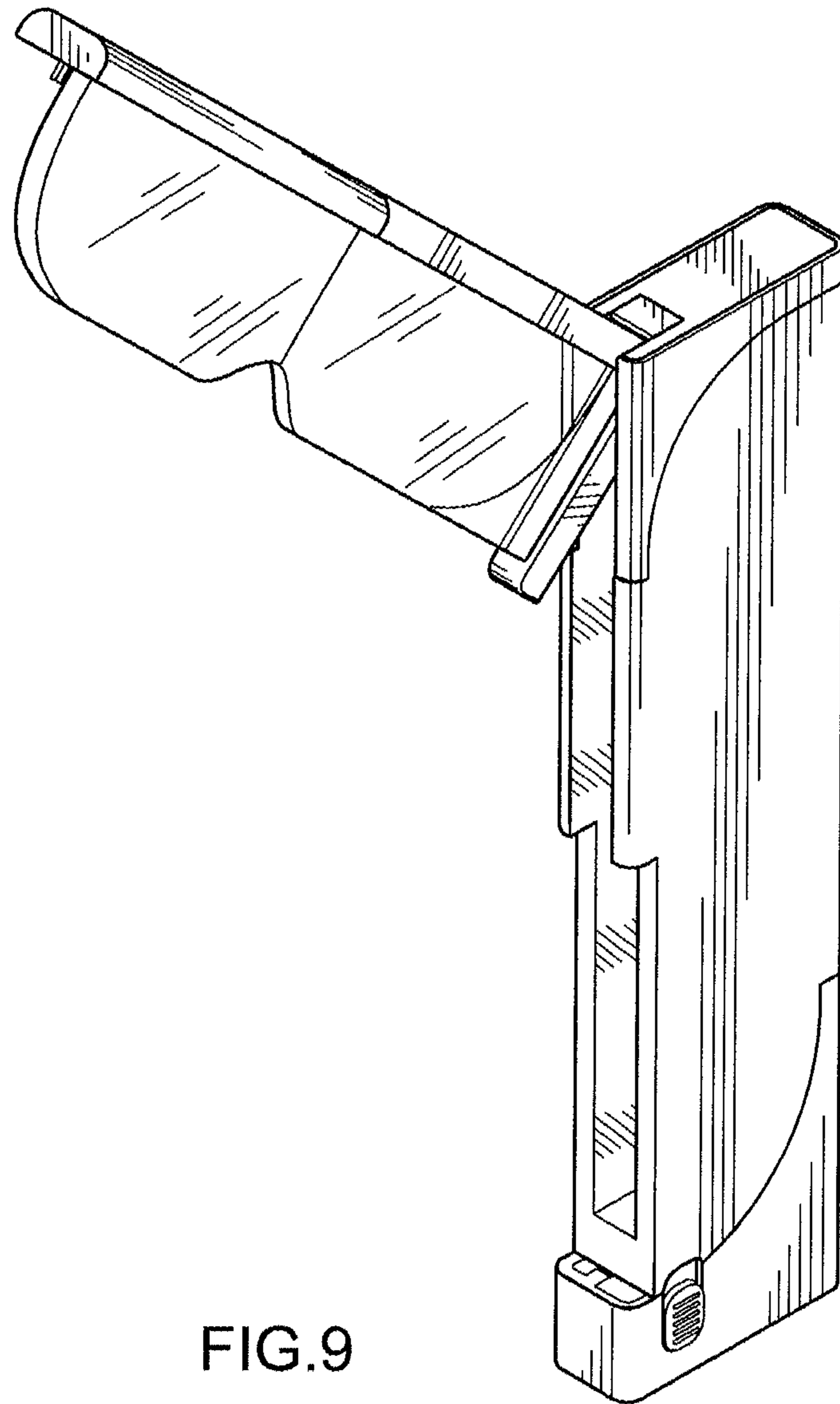


FIG. 9

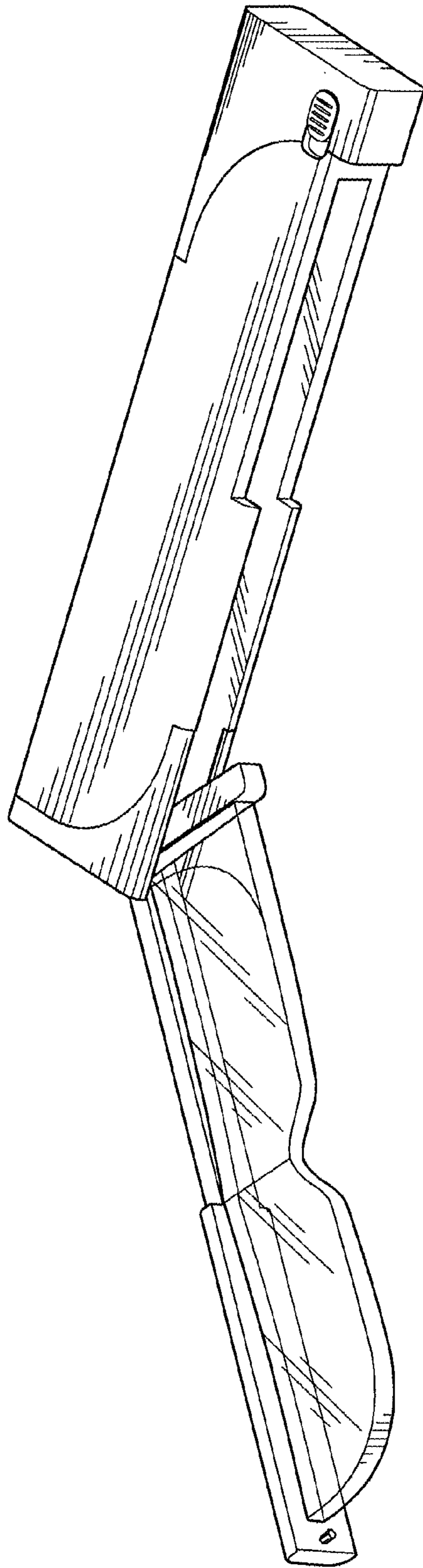


FIG.10

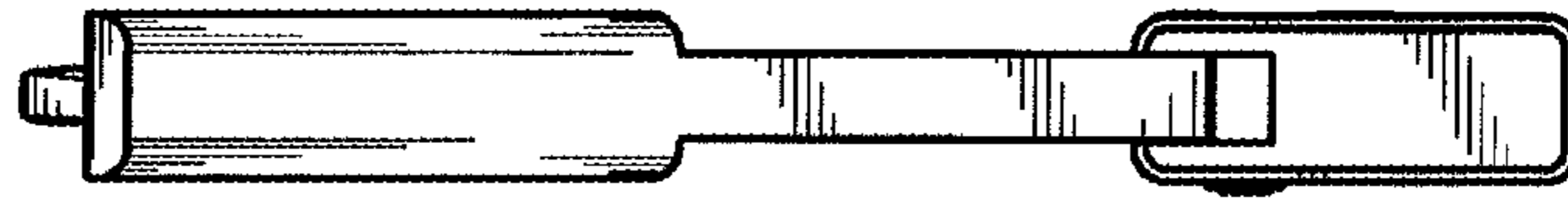


FIG.13

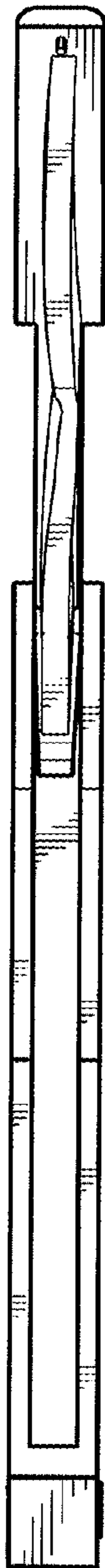


FIG.12

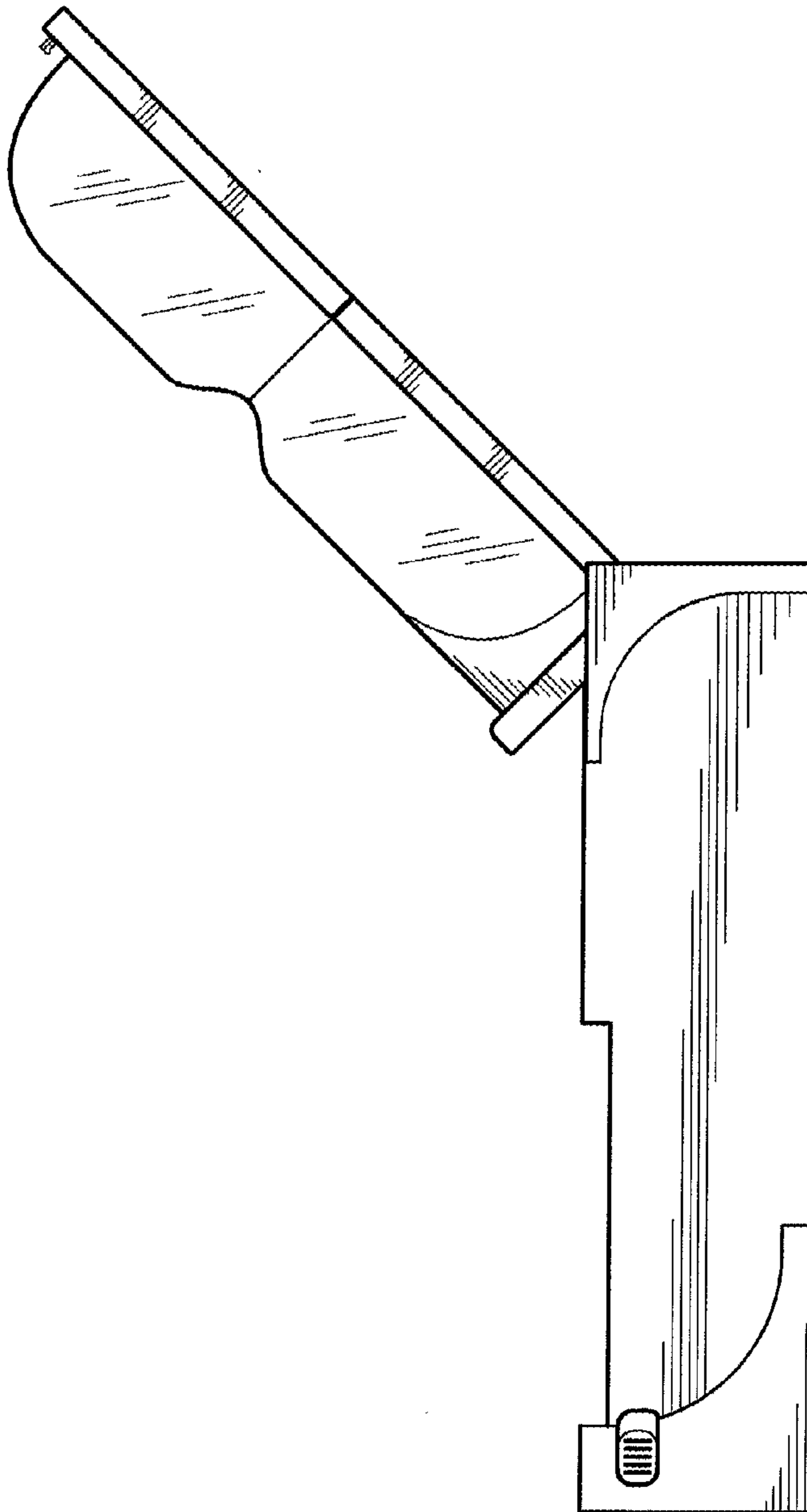


FIG.11

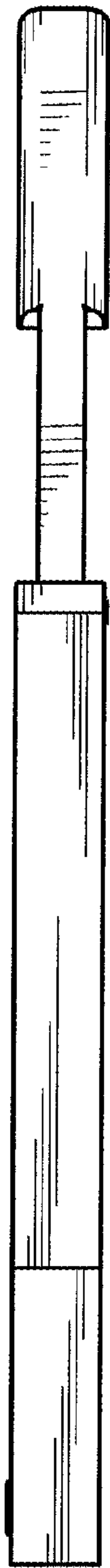


FIG. 15

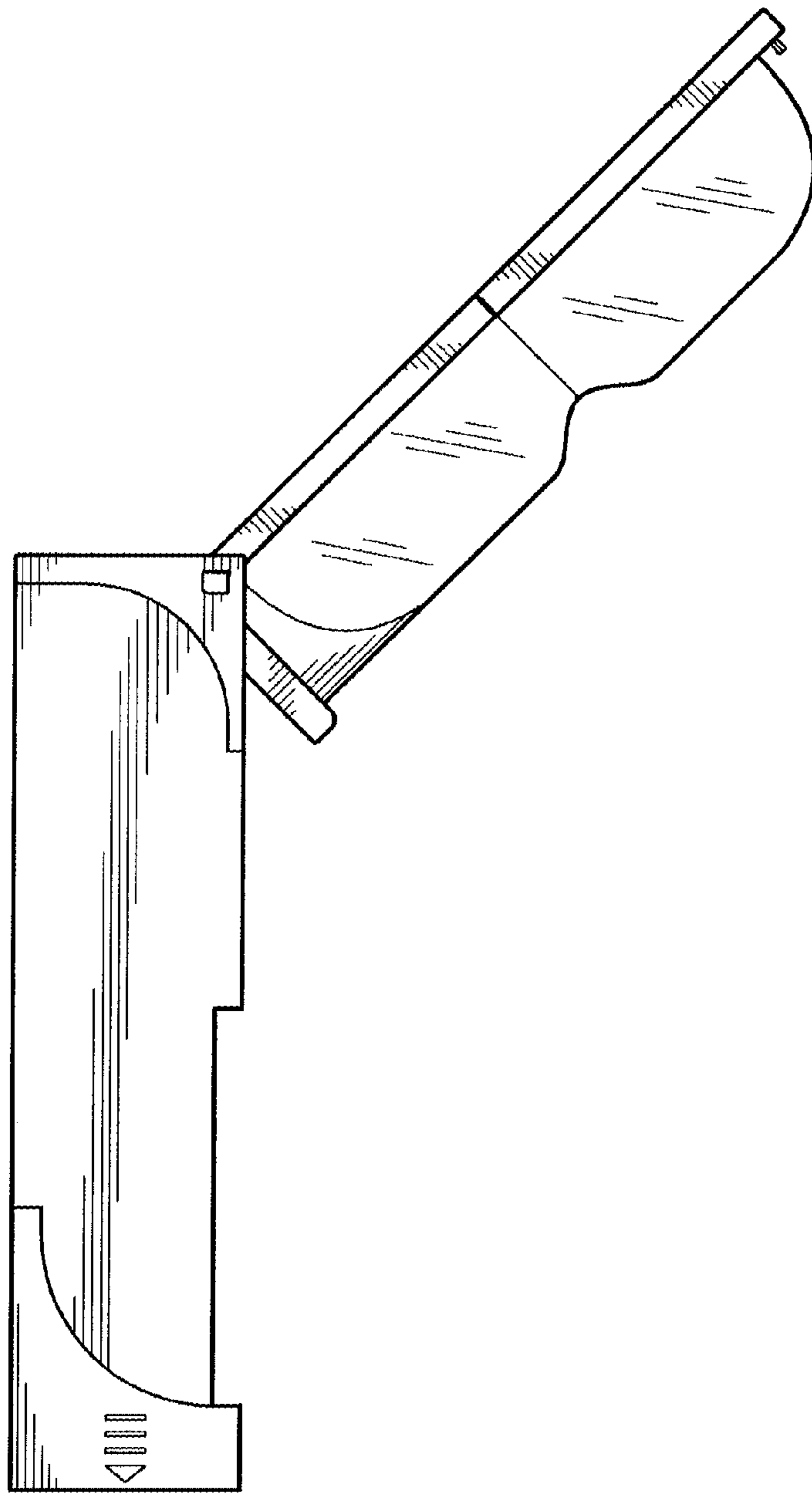


FIG. 14

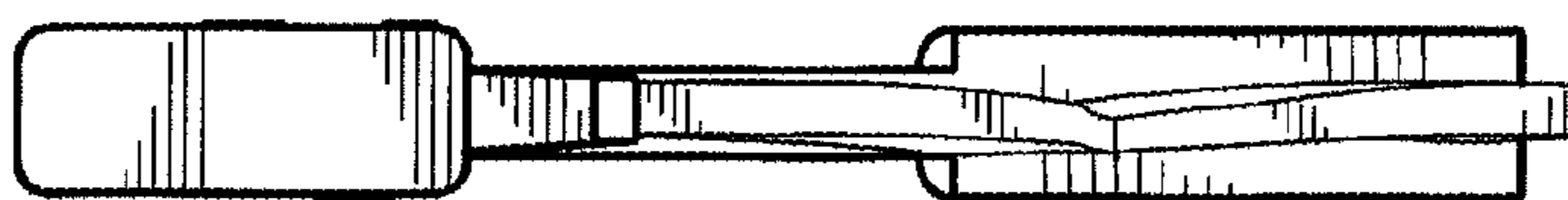


FIG. 16