



US00D774581S

(12) **United States Design Patent**  
**Weinstein**

(10) **Patent No.:** **US D774,581 S**

(45) **Date of Patent:** **\*\* Dec. 20, 2016**

(54) **MAGNIFIER FOR A HAND-HELD DEVICE**

(71) Applicants: **R' Ideas Limited**, Santa Rosa, CA  
(US); **Great Wall (Optical) Plastic Works Limited**, Hong Kong (CN)

(72) Inventor: **Randy Weinstein**, Santa Rosa, CA  
(US)

(73) Assignee: **R' Ideas Limited**, Santa Rosa, CA  
(US)

(\*\*) Term: **14 Years**

(21) Appl. No.: **29/524,812**

(22) Filed: **Apr. 23, 2015**

(51) **LOC (10) Cl.** ..... **16-06**

(52) **U.S. Cl.**  
USPC ..... **D16/135**

(58) **Field of Classification Search**  
USPC ..... 359/399, 480, 672, 742, 800,  
359/802-805, 809, 808, 810, 811, 813,  
359/817; D10/69; 220/345.4, 329, 331,  
220/337, 338; D28/77, 83; D3/207, 208,  
D3/212; D21/483, 330, 333;  
D16/130-136, 200, 225, 229  
See application file for complete search history.

(56) **References Cited**

**U.S. PATENT DOCUMENTS**

- D85,791 S \* 12/1931 Teague ..... D16/135
- D161,173 S \* 12/1950 Gubies ..... D16/135
- 3,065,668 A \* 11/1962 Leybourn ..... G09B 29/10  
116/240
- D196,452 S \* 10/1963 Burlin ..... D16/135
- D394,272 S \* 5/1998 Hon ..... D16/135
- 6,822,813 B2 \* 11/2004 Jim ..... G02B 25/02  
359/802
- D515,119 S \* 2/2006 Jarosinski ..... D16/135
- D526,734 S \* 8/2006 Brown ..... D26/39
- D543,470 S \* 5/2007 Bhavnani ..... D10/2

- D553,798 S \* 10/2007 Goswell ..... D28/83
- D594,496 S \* 6/2009 Jim ..... D16/135
- D597,114 S \* 7/2009 Yip ..... D16/135
- D613,437 S \* 4/2010 Chan ..... D26/38
- D629,433 S \* 12/2010 Holland ..... D16/135
- D634,762 S \* 3/2011 Levine ..... D16/135
- D634,763 S \* 3/2011 Levine ..... D16/135

(Continued)

*Primary Examiner* — Susan Bennett Hattan

*Assistant Examiner* — Jennifer Wright

(74) *Attorney, Agent, or Firm* — Leydig, Voit & Mayer

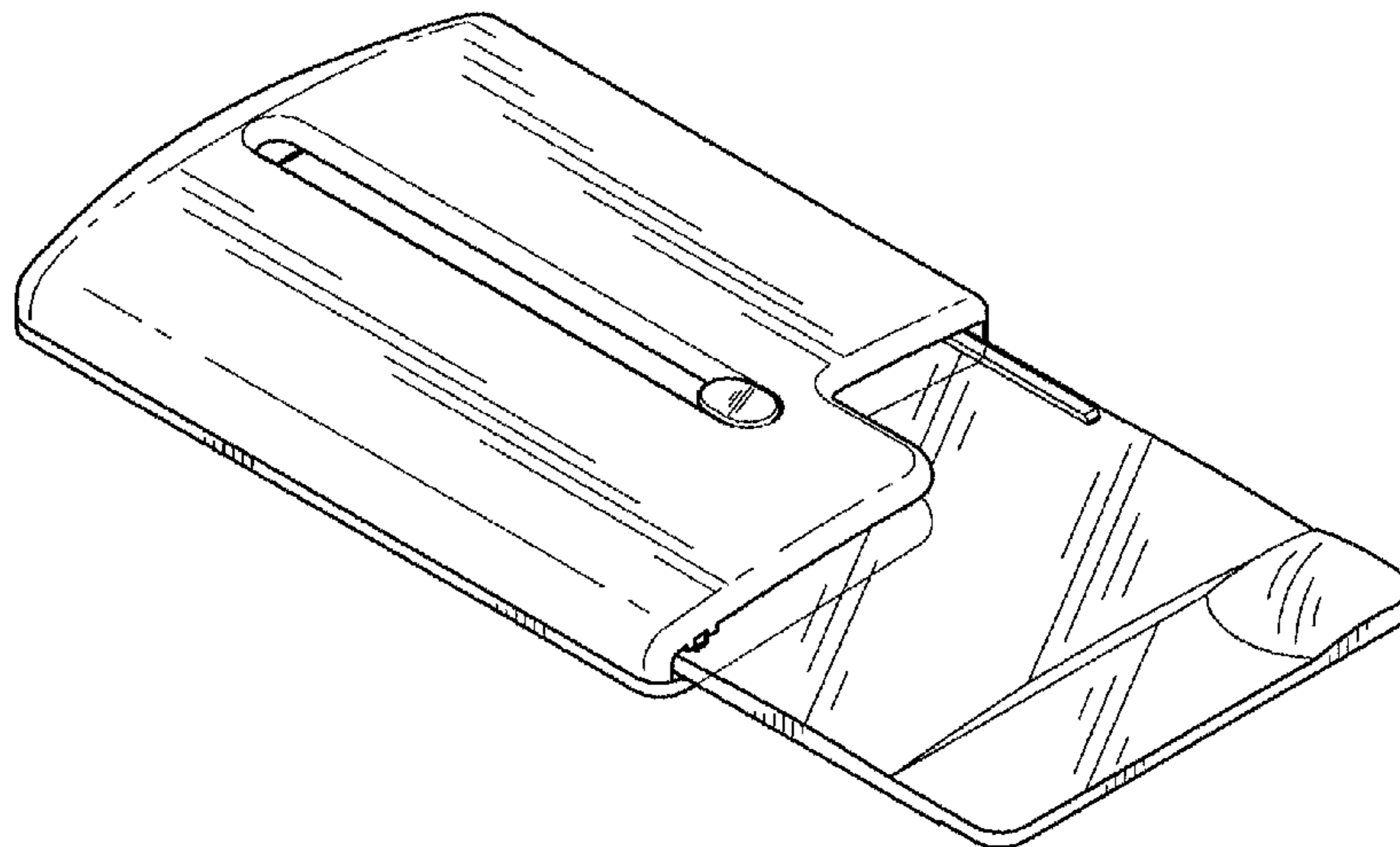
(57) **CLAIM**

I claim the ornamental design for a magnifier for a hand-held device, as shown and described.

**DESCRIPTION**

FIG. 1 is a front side view of the magnifier for a hand-held device with the lense retracted;  
 FIG. 2 is a left side view of the magnifier for a hand-held device with the lense retracted;  
 FIG. 3 is a bottom view of the magnifier for a hand-held device with the lense retracted;  
 FIG. 4 is a top view of the magnifier for a hand-held device with the lense retracted;  
 FIG. 5 is a rear side view of the magnifier for a hand-held device with the lense retracted;  
 FIG. 6 is a right side view of the magnifier for a hand-held device with the lense retracted;  
 FIG. 7 is a perspective view of the magnifier for a hand-held device with the lense retracted;  
 FIG. 8 is a perspective view of the magnifier for a hand-held device with the lense extended;  
 FIG. 9 is a perspective view of the magnifier for a hand-held device, in use, with the lense extended; and,  
 FIG. 10 is a perspective view of the magnifier for a hand-held device, in use, with the lense retracted.  
 The broken lines in the figures are for environmental purposes only and form no part of the claimed design.

**1 Claim, 4 Drawing Sheets**



(56)

**References Cited**

U.S. PATENT DOCUMENTS

D668,700 S	*	10/2012	Jim .....	D16/135
D669,512 S	*	10/2012	Besse .....	D16/135
D697,957 S	*	1/2014	Glasse .....	D16/134
D709,937 S	*	7/2014	Goldenberg .....	D16/135
D741,928 S	*	10/2015	Huang .....	D16/135
D757,696 S	*	5/2016	Eski .....	D14/240
D759,146 S	*	6/2016	van Hees .....	D16/135

\* cited by examiner



Fig. 2

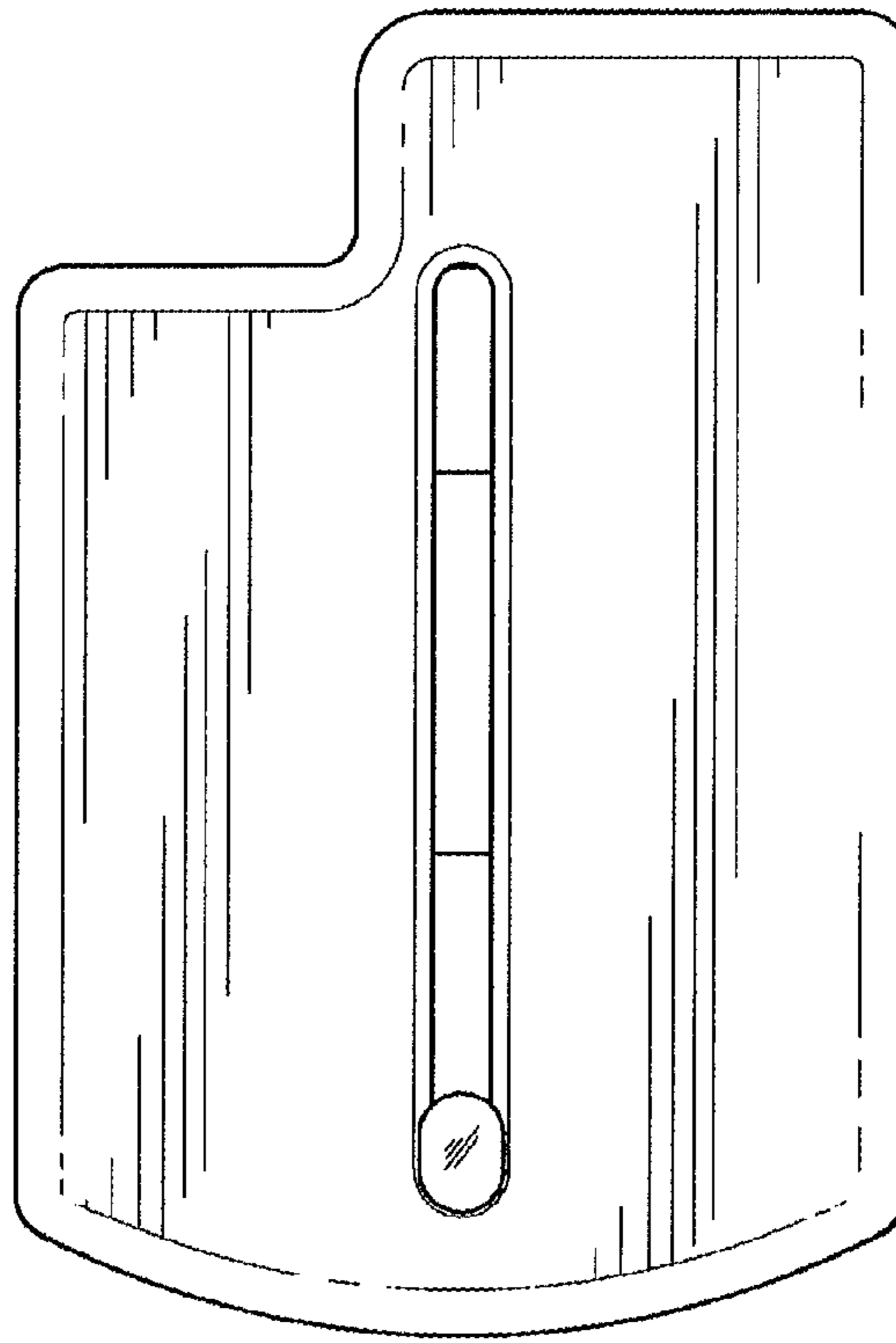


Fig. 1



Fig. 3

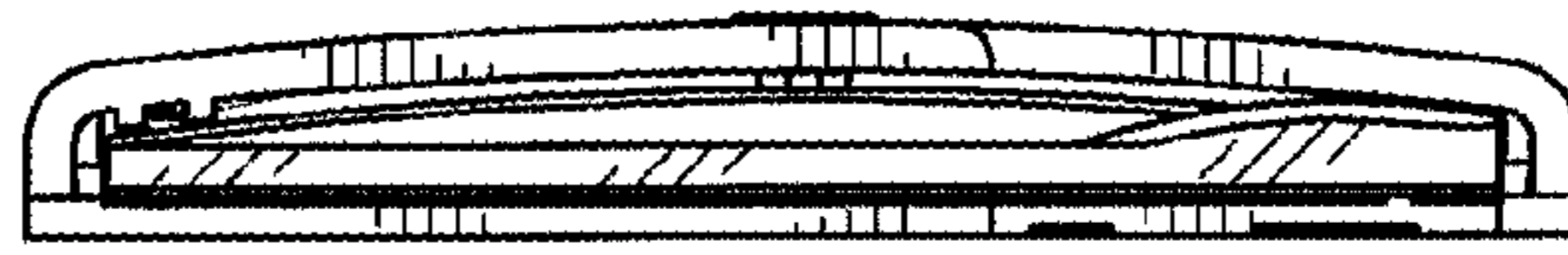


Fig. 4

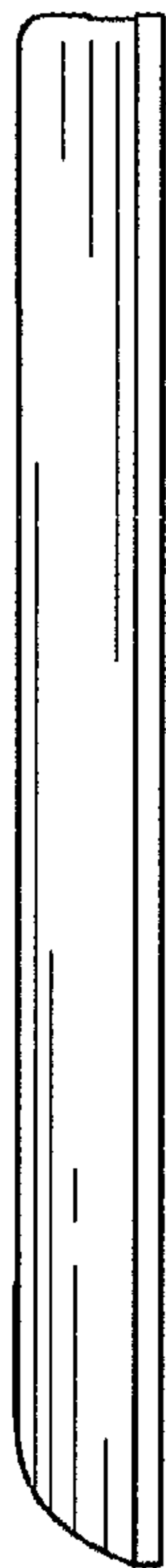


Fig. 6

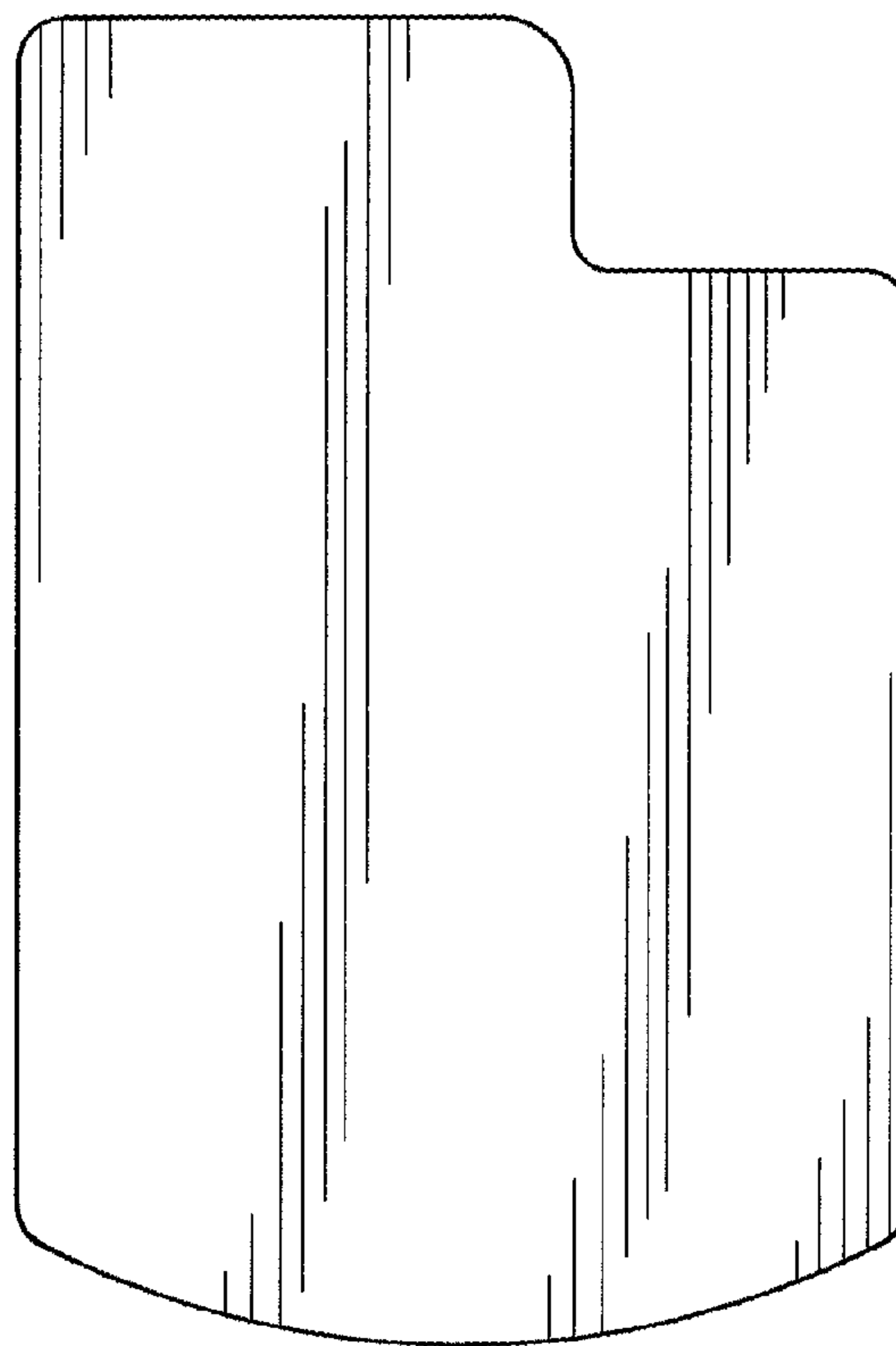


Fig. 5

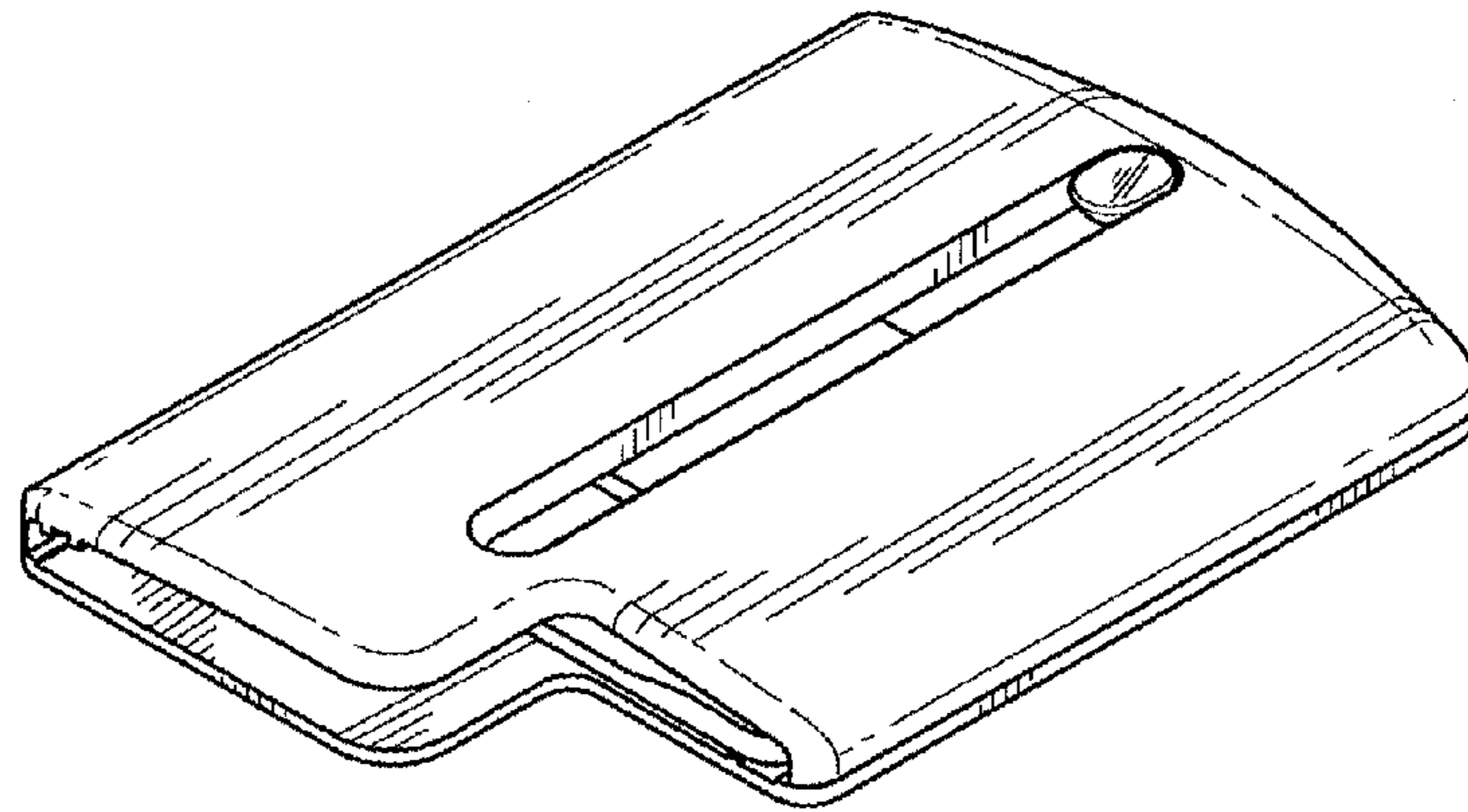


Fig. 7

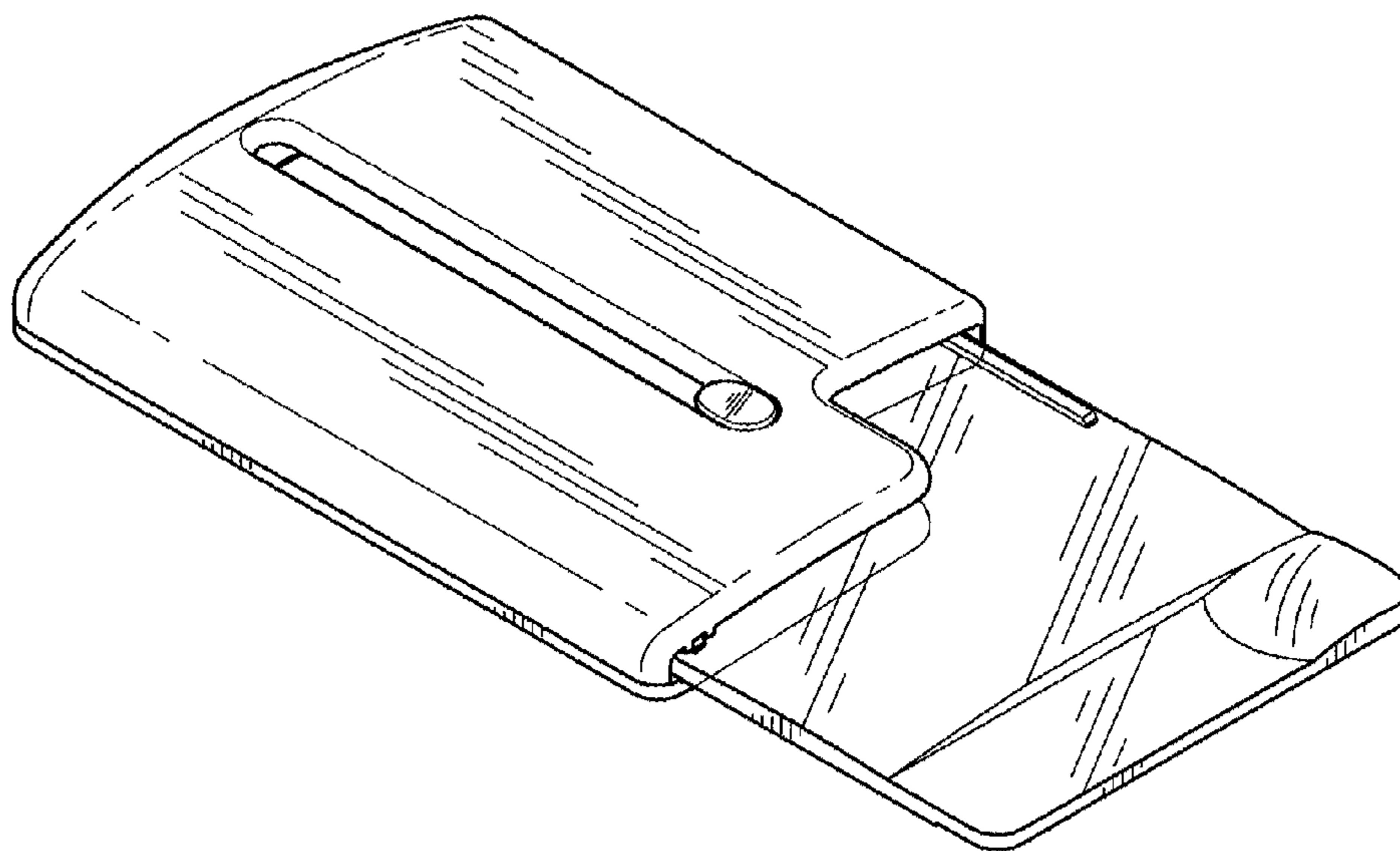


Fig. 8

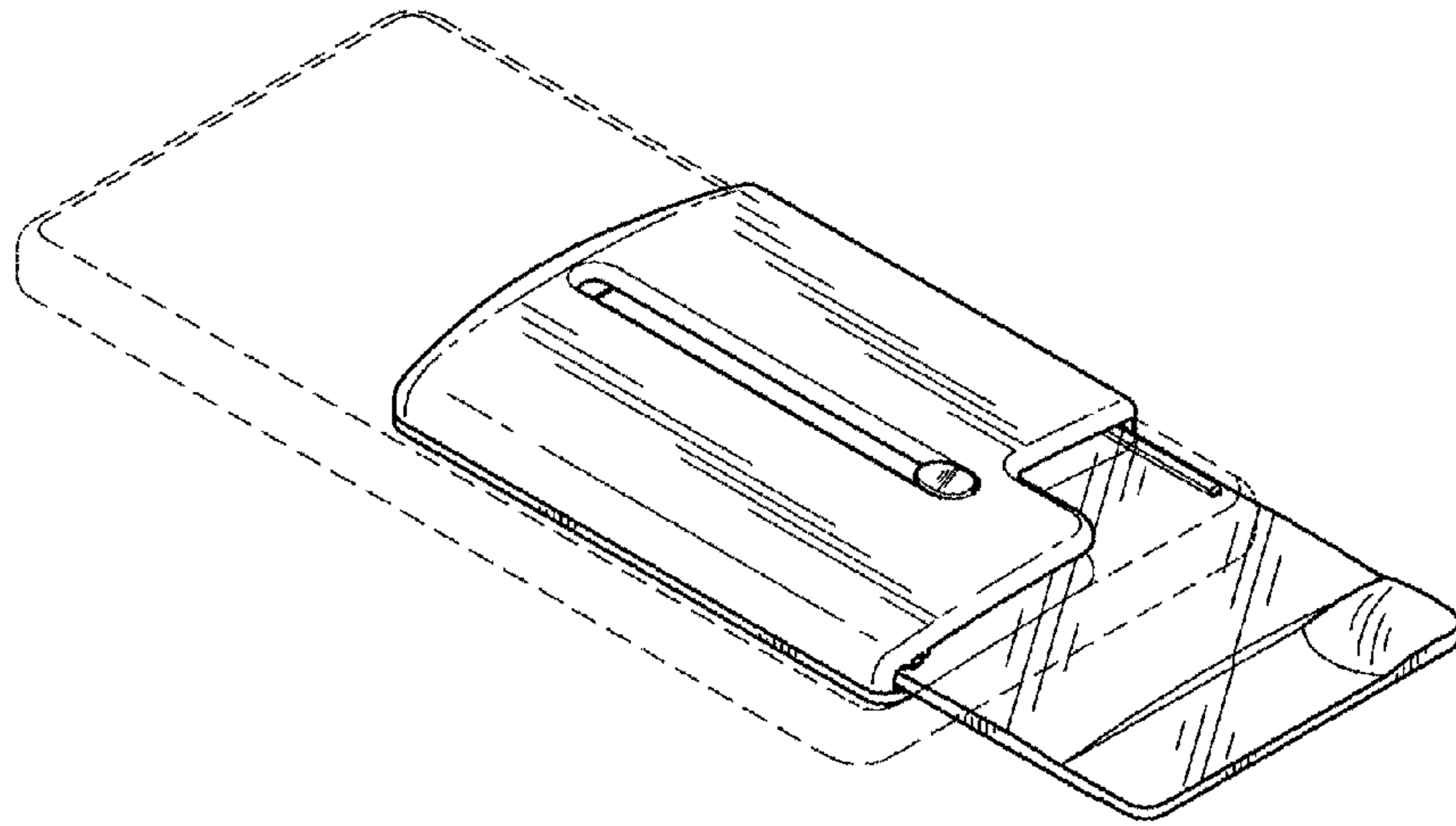


Fig. 9

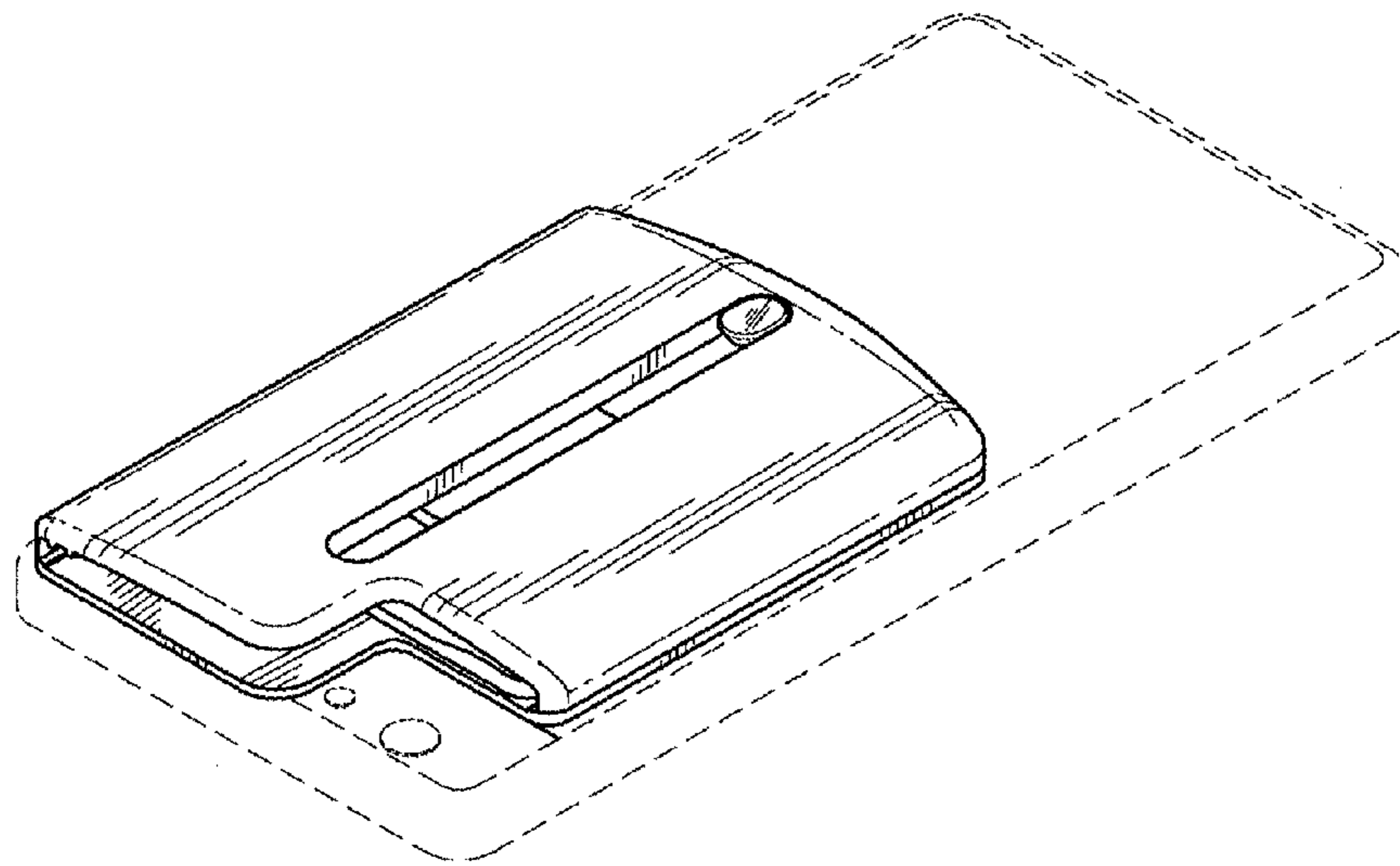


Fig. 10