



US00D774579S

(12) **United States Design Patent** (10) **Patent No.:** **US D774,579 S**
Oda et al. (45) **Date of Patent:** **** Dec. 20, 2016**

(54) **INDUSTRIAL ROBOT**

OTHER PUBLICATIONS

(71) Applicant: **FANUC CORPORATION**,
Minamitsuru-gun, Yamanashi (JP)

Non Final Office Action mailed Feb. 2, 2016 for U.S. Appl. No. 29/521,496.

(Continued)

(72) Inventors: **Yuuki Oda**, Yamanashi (JP); **Harutora Inaba**, Yamanashi (JP)

Primary Examiner — Patricia Palasik
(74) *Attorney, Agent, or Firm* — RatnerPrestia

(73) Assignee: **FANUC CORPORATION**, Yamanashi (JP)

(57) **CLAIM**
The ornamental design for an industrial robot, as shown and described.

DESCRIPTION

(**) Term: **14 Years**

The patent or application file contains at least one drawing executed in color. Copies of this patent or patent application publication with color drawing(s) will be provided by the Office upon request and payment of the necessary fee.

(21) Appl. No.: **29/521,492**

FIG. 1 is a front perspective view of a first embodiment of an industrial robot showing our new design;

(22) Filed: **Mar. 24, 2015**

FIG. 2 is a rear perspective view thereof;

(30) **Foreign Application Priority Data**

Sep. 26, 2014 (JP) 2014-021414
Sep. 26, 2014 (JP) 2014-021415

FIG. 3 is a front view thereof;

(51) **LOC (10) Cl.** **15-99**

FIG. 4 is a rear view thereof;

(52) **U.S. Cl.**
USPC **D15/199**

FIG. 5 is a left side elevational view thereof;

(58) **Field of Classification Search**
USPC D15/199; D21/578-573, 621, 622
See application file for complete search history.

FIG. 6 is a right side elevational view thereof;

(56) **References Cited**

U.S. PATENT DOCUMENTS

5,327,058 A * 7/1994 Rembutsu 318/568.11
5,375,480 A * 12/1994 Nihei et al. 74/490.02

FIG. 7 is a top plan view thereof; and

FIG. 8 is a bottom plan view thereof.

FIG. 9 is a front perspective view of a second embodiment of an industrial robot showing our new design;

FIG. 10 is a rear perspective view thereof;

FIG. 11 is a front view thereof;

FIG. 12 is a rear view thereof;

FIG. 13 is a left side elevational view thereof;

FIG. 14 is a right side elevational view thereof;

FIG. 15 is a top plan view thereof; and,

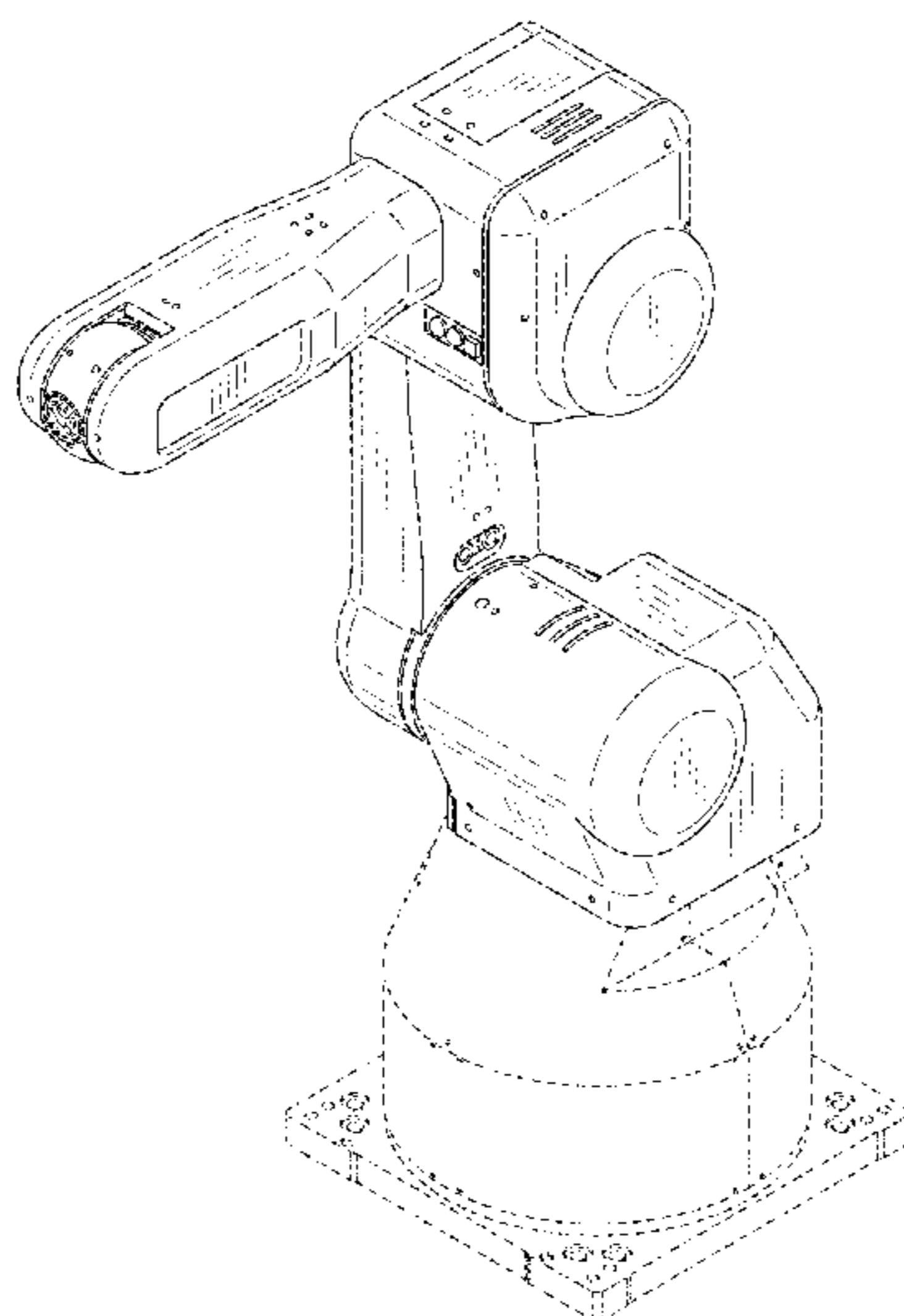
FIG. 16 is a bottom plan view thereof.

The broken lines shown in the drawings are for illustrative purposes only and form no part of the claimed design.

FOREIGN PATENT DOCUMENTS

JP D1508021 9/2014
JP D1508216 9/2014

1 Claim, 12 Drawing Sheets
(6 of 12 Drawing Sheet(s) Filed in Color)



(56)

References Cited

U.S. PATENT DOCUMENTS

D440,241 S * 4/2001 Kawahara et al. D15/199
 D443,287 S 6/2001 Kawahara
 D613,781 S * 4/2010 Liu et al. D15/199
 D615,574 S * 5/2010 Liu et al. D15/199
 D616,477 S * 5/2010 Long et al. D15/199
 D624,104 S * 9/2010 Miyake et al. D15/199
 D629,030 S * 12/2010 Long et al. D15/199
 D636,803 S * 4/2011 Nakagiri et al. D15/199
 D638,043 S * 5/2011 Tsuchiya et al. D15/199
 D638,044 S * 5/2011 Ikoma et al. D15/199
 D650,820 S * 12/2011 Long D15/199
 D651,627 S * 1/2012 Long D15/199
 D670,319 S * 11/2012 Liu et al. D15/199
 D677,294 S * 3/2013 Long D15/199
 D678,378 S * 3/2013 Selic D15/199
 D681,708 S * 5/2013 Miyake et al. D15/199
 D690,753 S * 10/2013 Liu et al. D15/199

D707,277 S * 6/2014 Olsson et al. D15/199
 D713,436 S * 9/2014 Liu D15/199
 2005/0126327 A1* 6/2005 Markert et al. 74/490.02
 2005/0189333 A1* 9/2005 Nakagiri et al. 219/125.1
 2010/0234996 A1* 9/2010 Schreiber et al. 700/258
 2011/0303042 A1* 12/2011 Pan et al. 74/490.05
 2013/0125691 A1* 5/2013 Wappling et al. 74/467
 2013/0305869 A1* 11/2013 Krumbacher 74/490.06
 2014/0047940 A1* 2/2014 Yamamoto 74/490.05
 2014/0224057 A1 8/2014 Tanaka
 2015/0202780 A1 7/2015 Wang
 2015/0258681 A1 9/2015 Kinoshita
 2016/0089779 A1 3/2016 Hahakura
 2016/0089794 A1 3/2016 Niu

OTHER PUBLICATIONS

Restriction Requirement dated Apr. 21, 2016 for U.S. Appl. No. 29/504,668.

* cited by examiner

FIG. 1

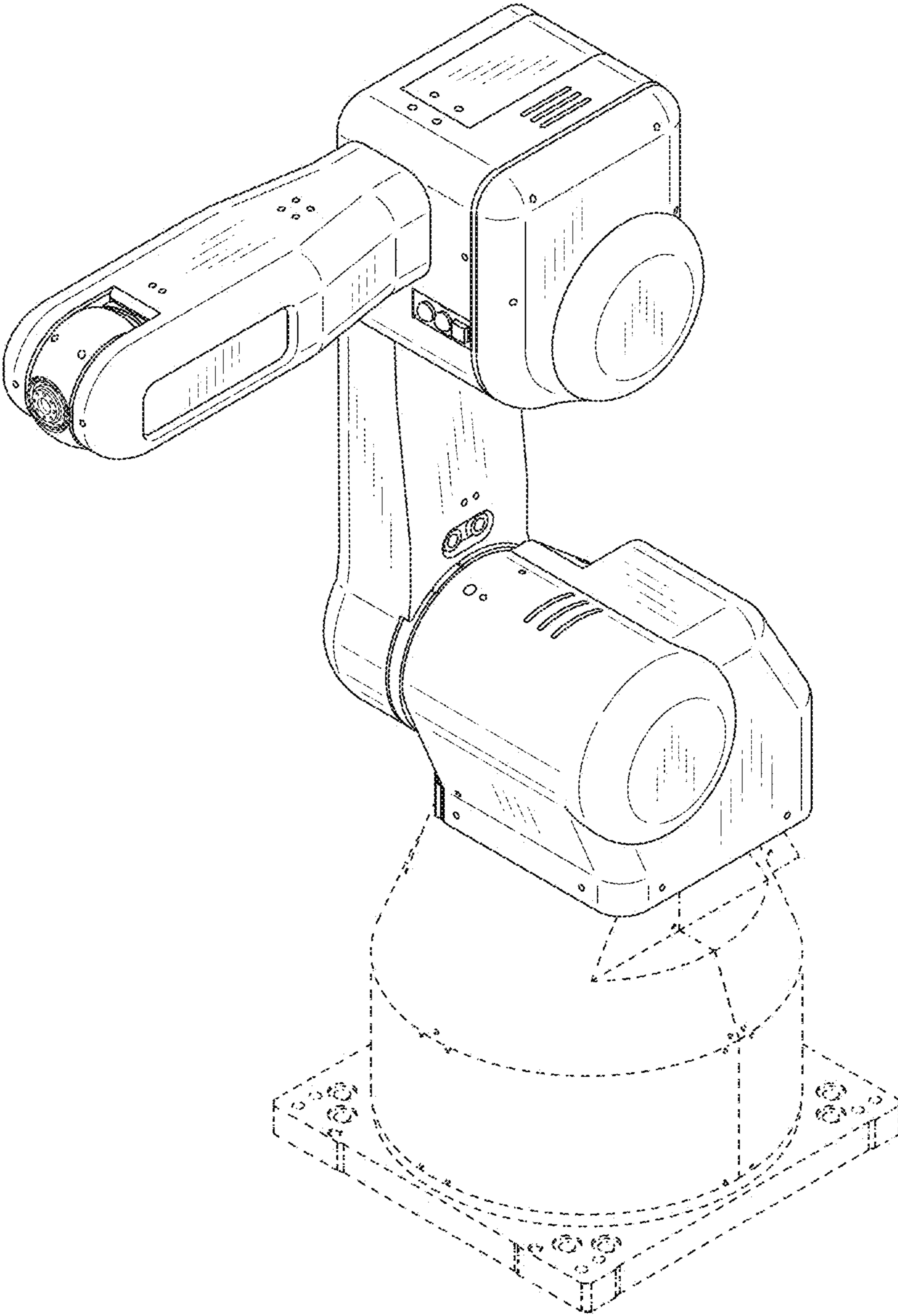


FIG. 2

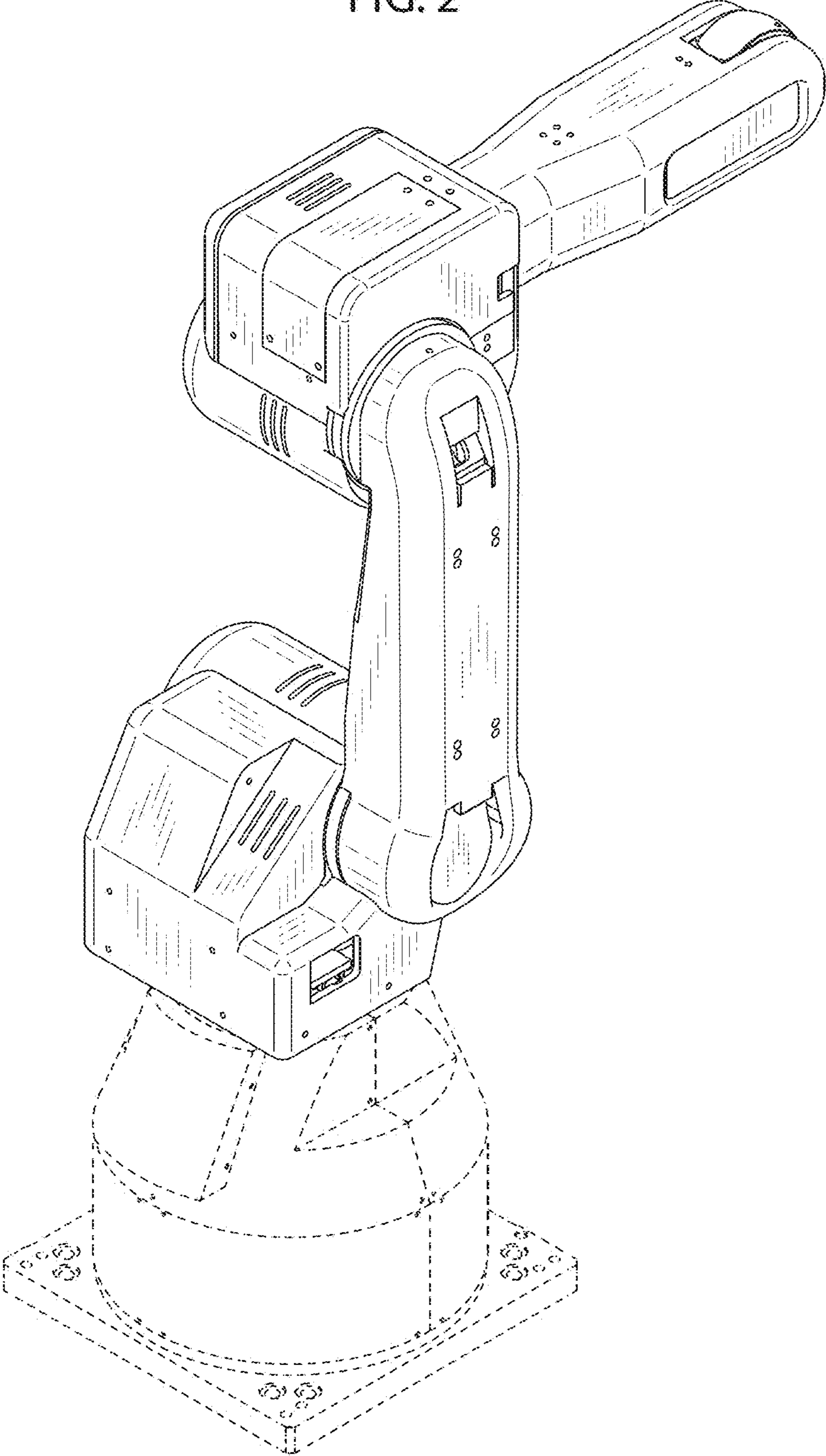


FIG. 3

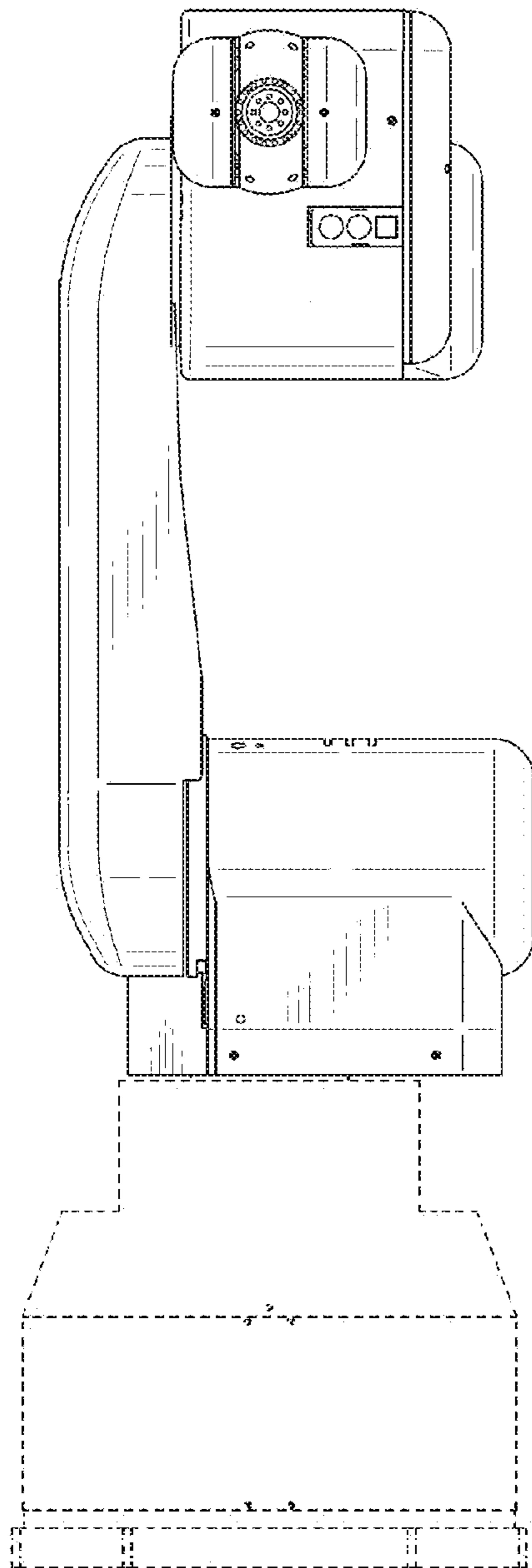


FIG. 4

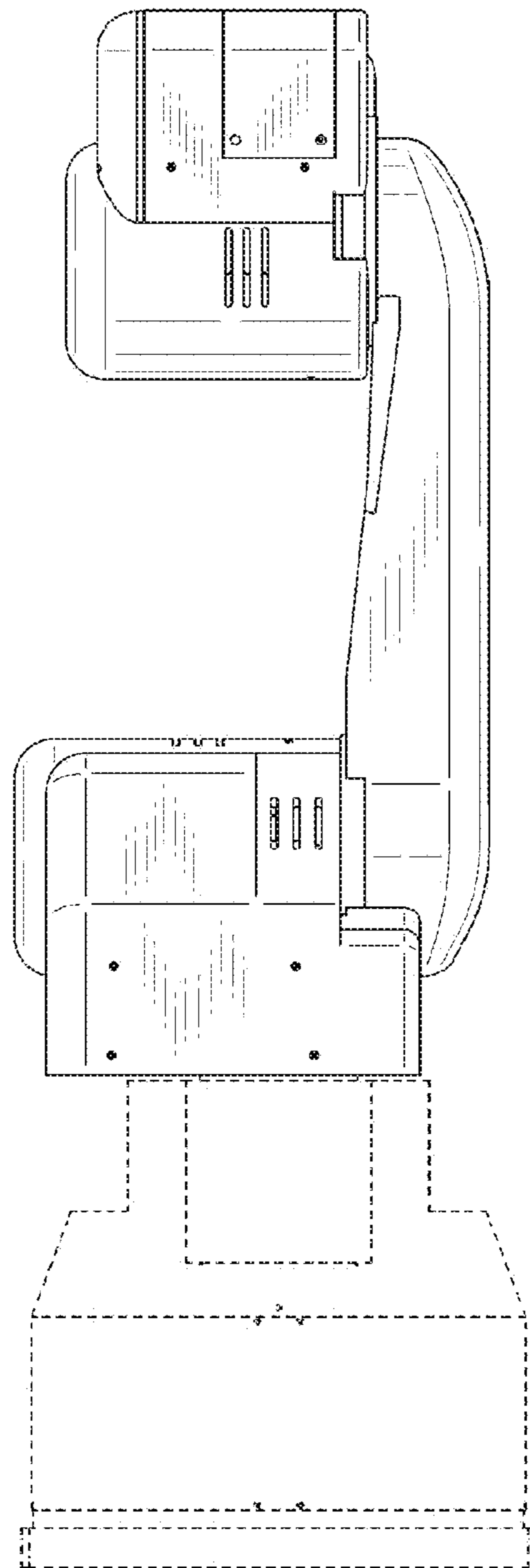


FIG. 5

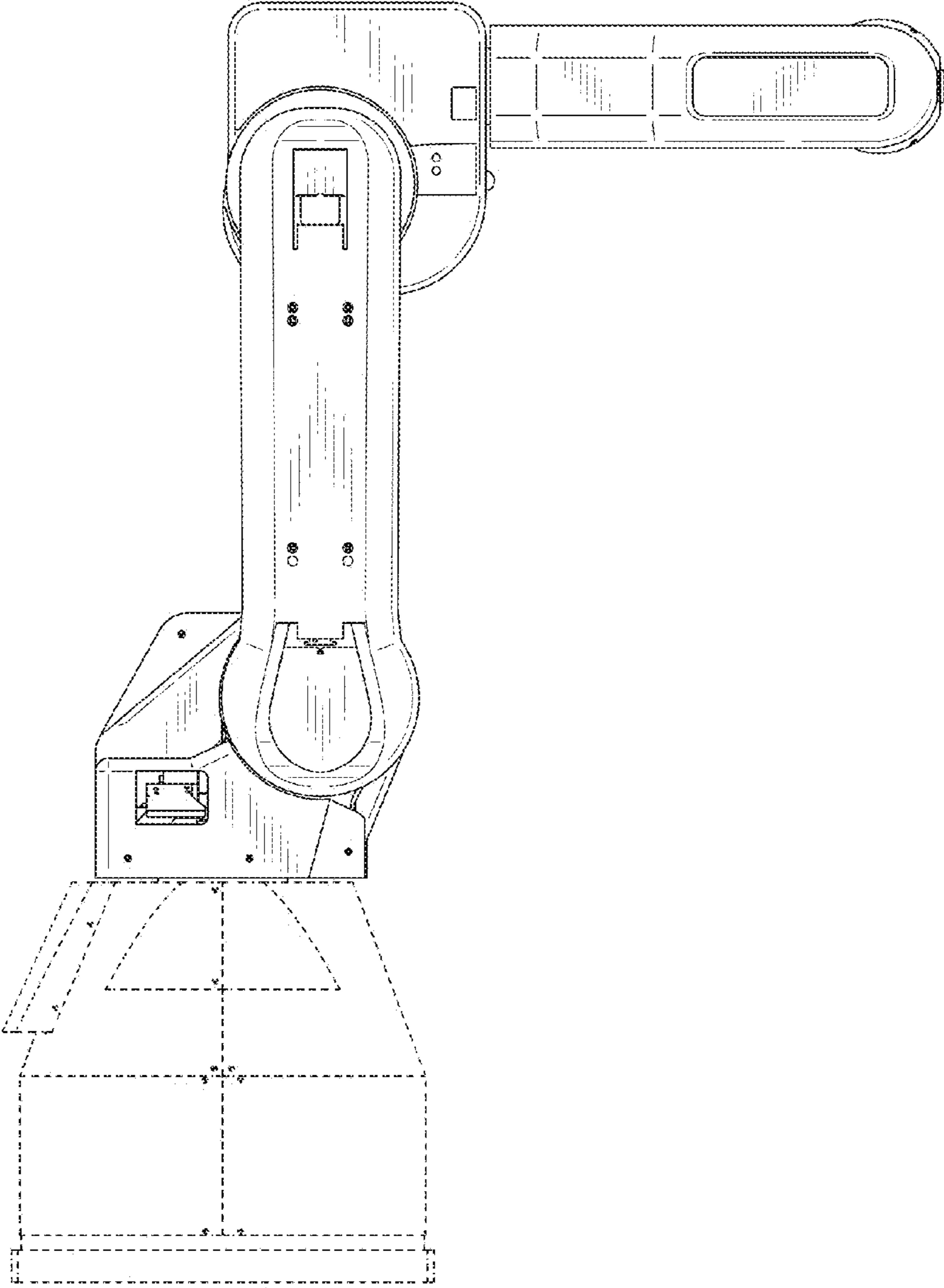


FIG. 6

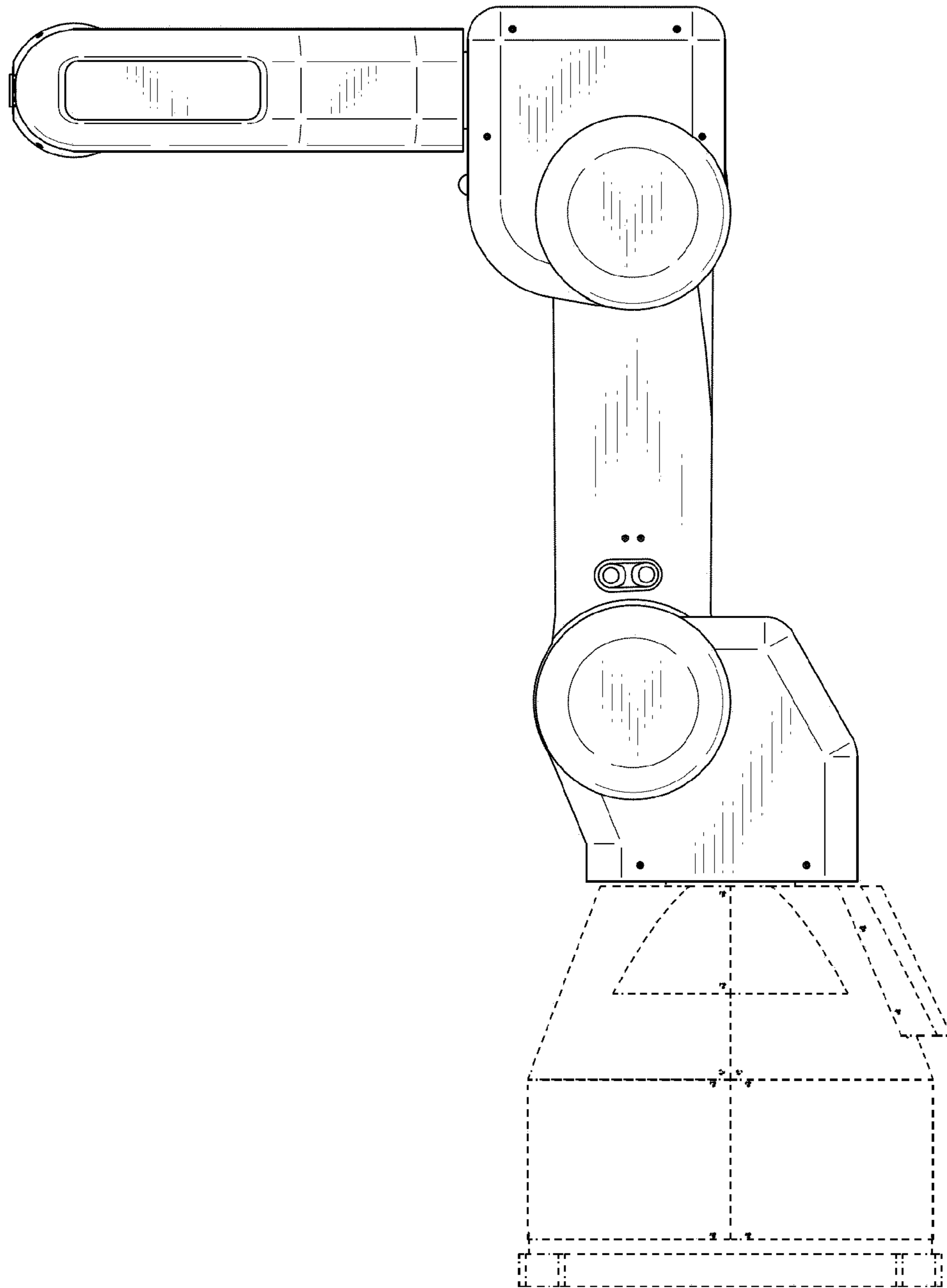


FIG. 7

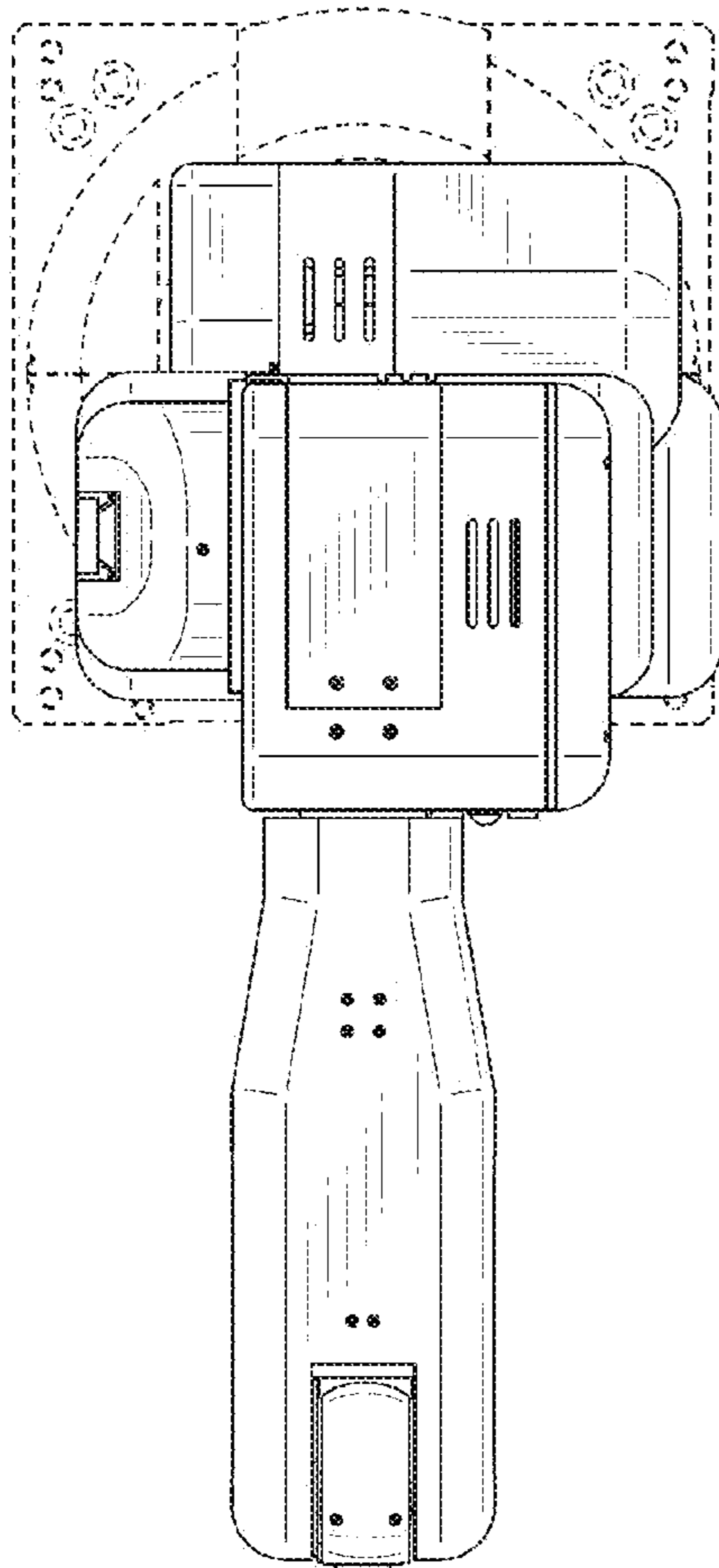


FIG. 8

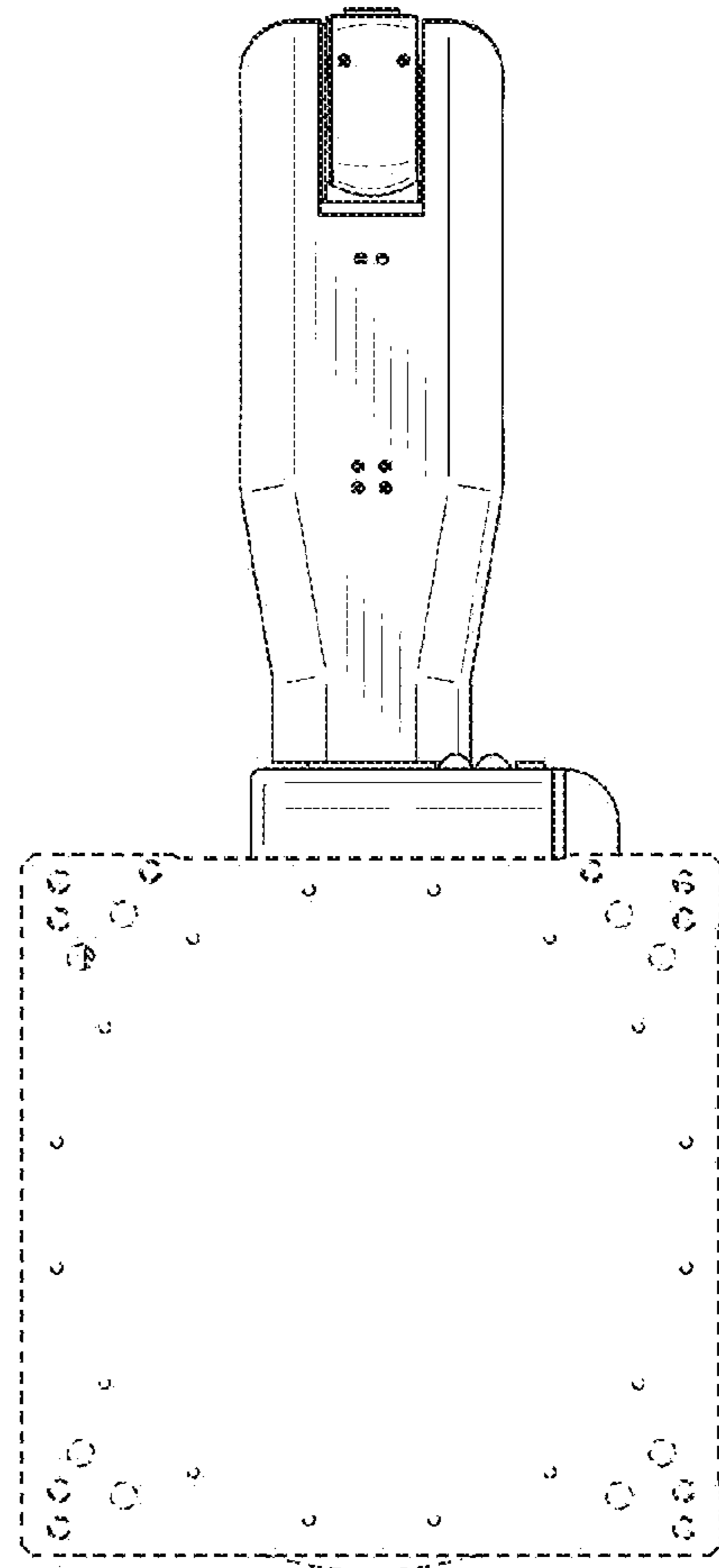


FIG. 9

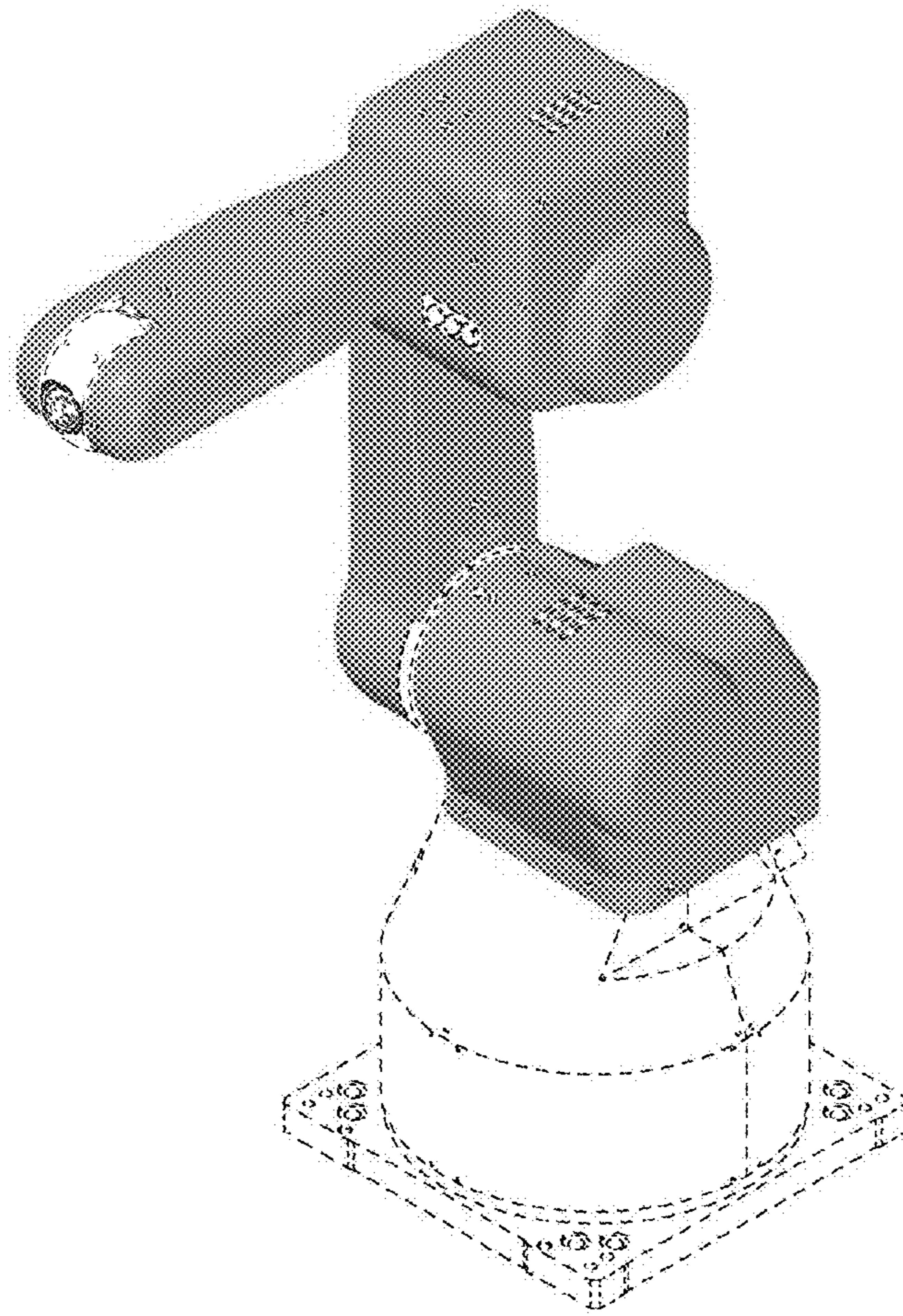


FIG. 10

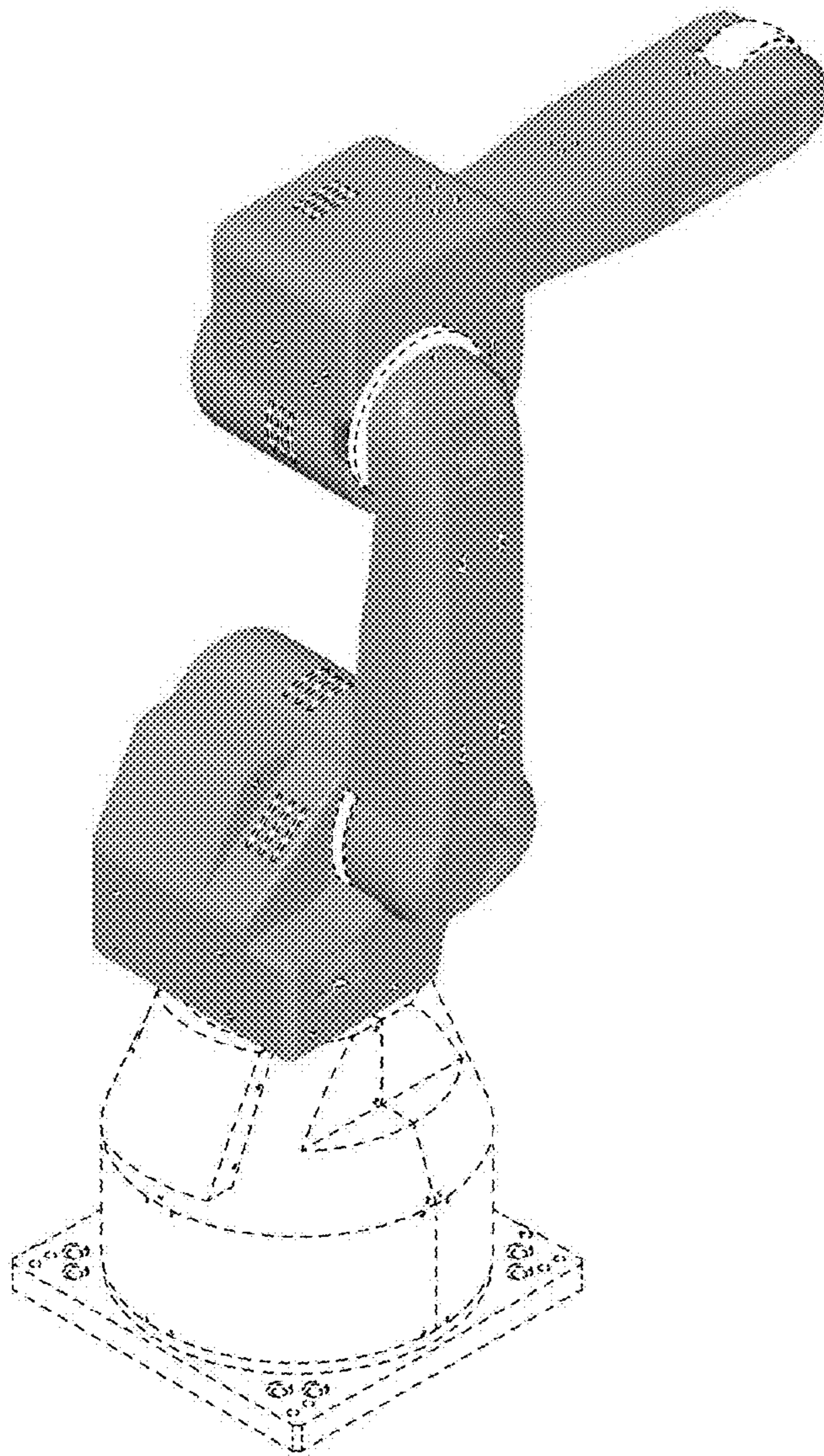


FIG. 11

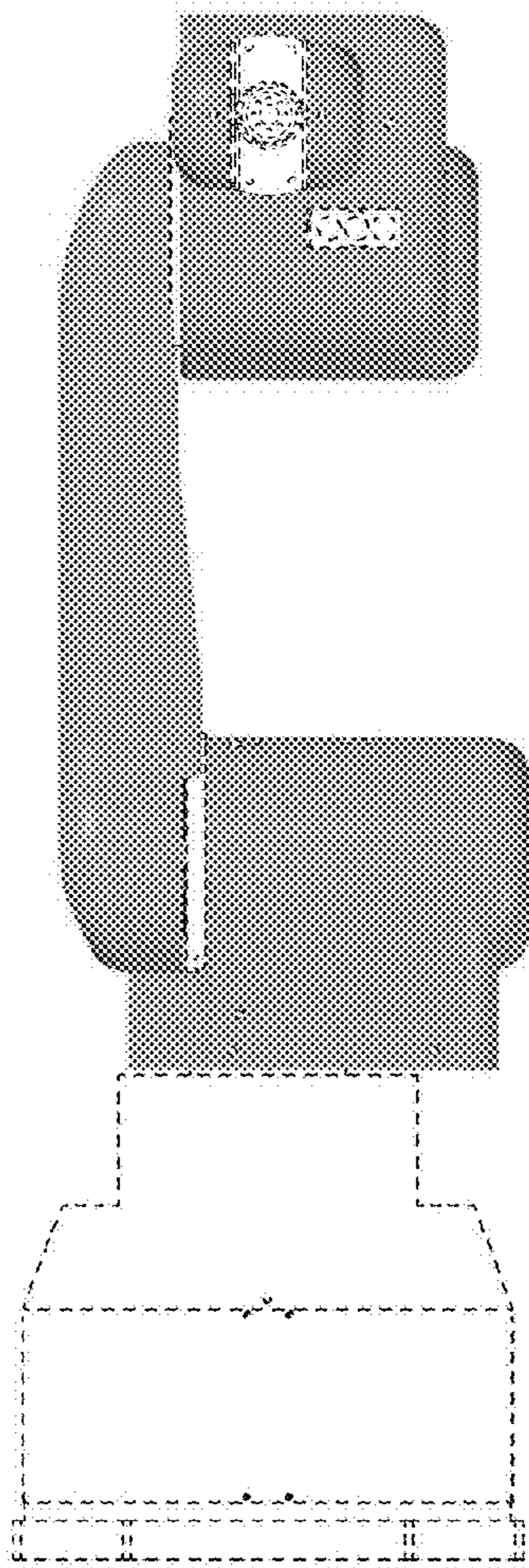


FIG. 12

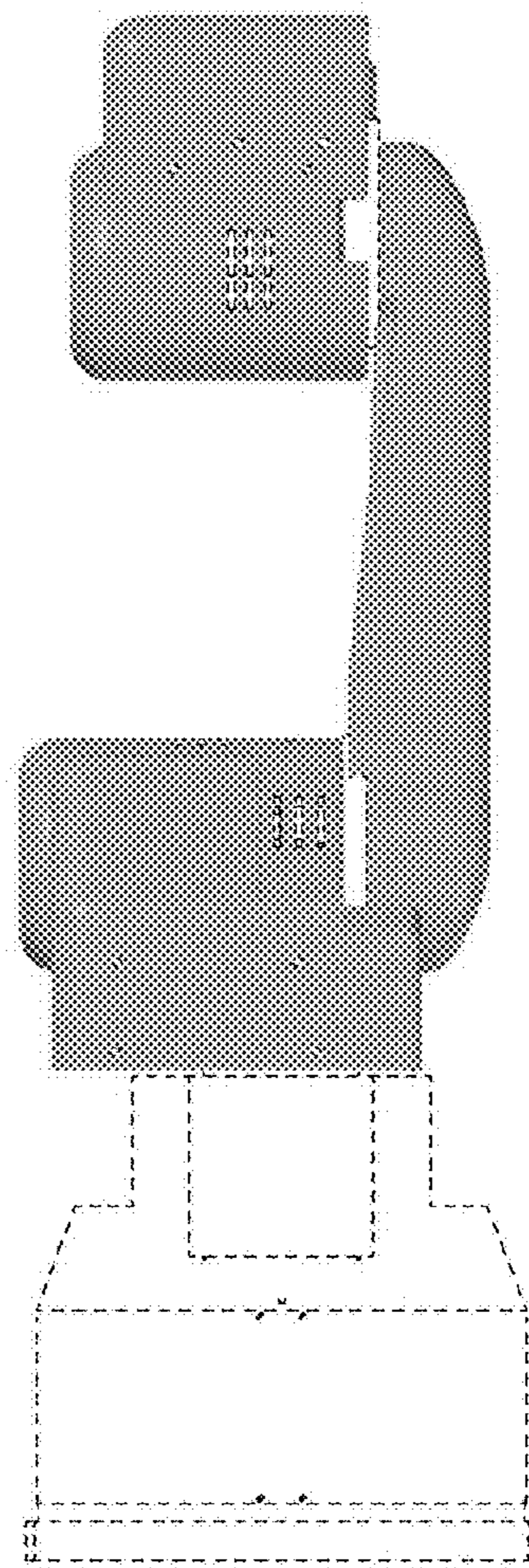


FIG. 13

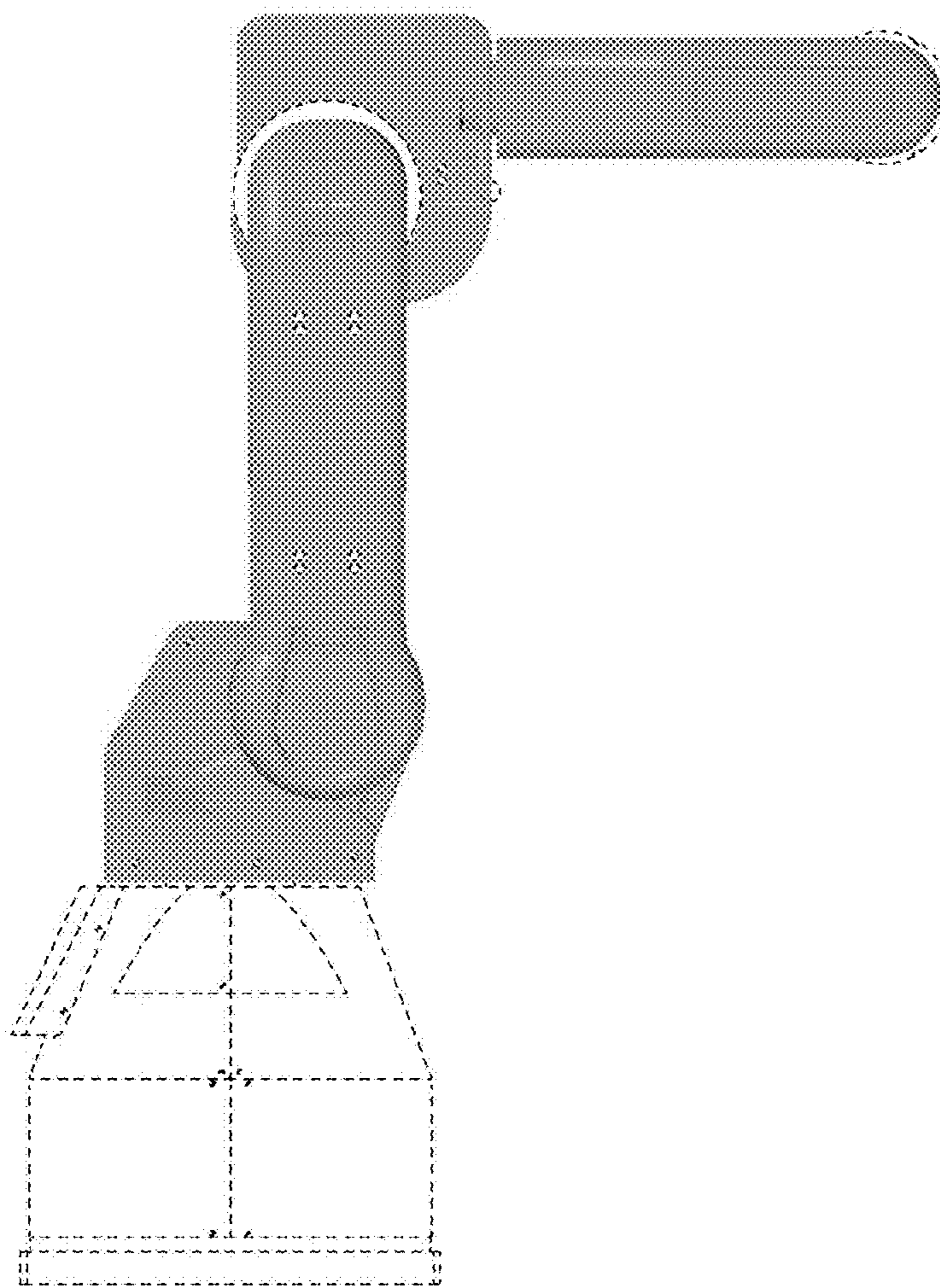


FIG. 14

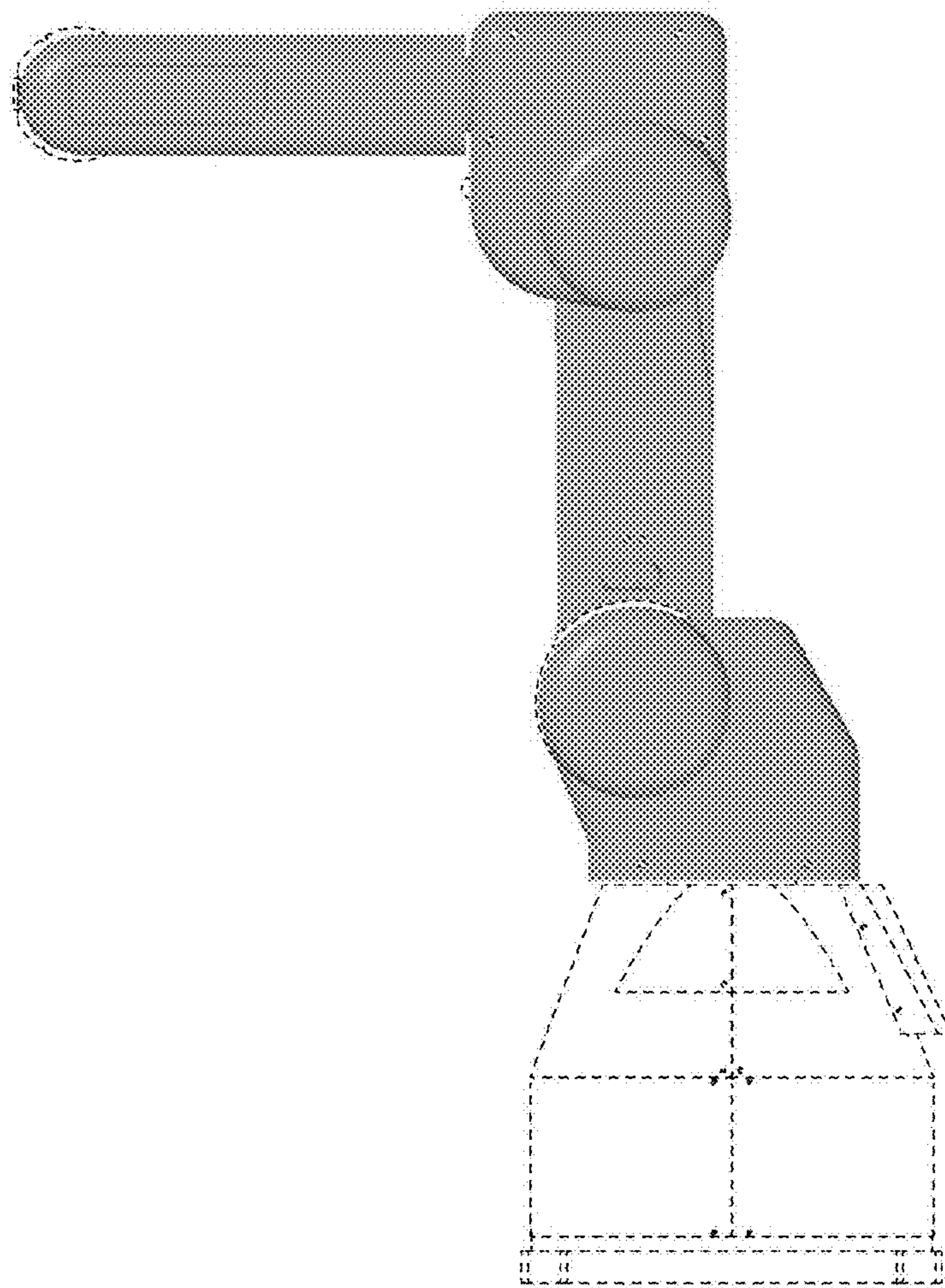


FIG. 15

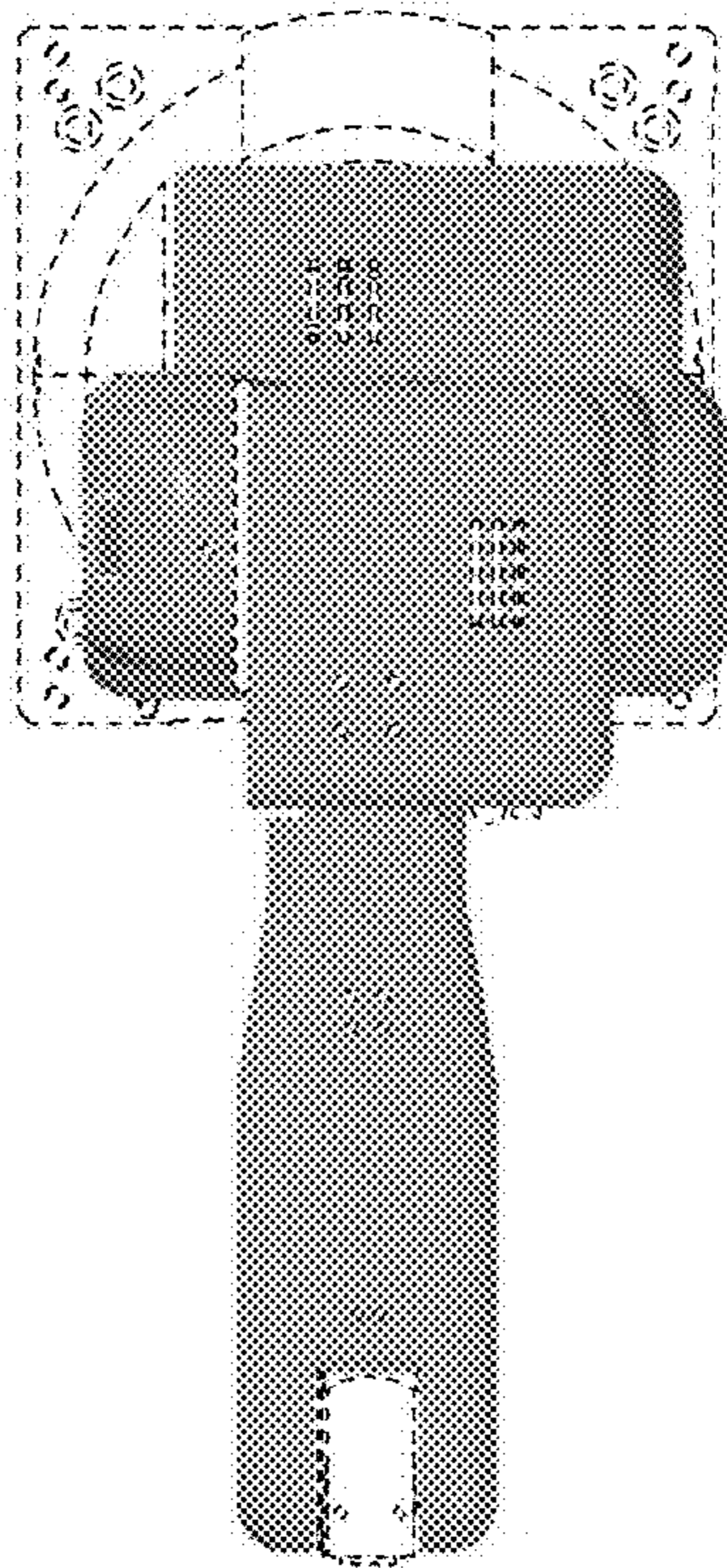


FIG. 16

