

US00D774578S

(12) **United States Design Patent** (10) **Patent No.:** **US D774,578 S**
Yamamoto et al. (45) **Date of Patent:** **** Dec. 20, 2016**

(54) **INDUSTRIAL ROBOT**

FOREIGN PATENT DOCUMENTS

(71) Applicant: **FANUC CORPORATION**,
Minamitsuru-gun, Yamanashi (JP)

JP D1508021 9/2014
JP D1508216 9/2014

(72) Inventors: **Hiroaki Yamamoto**, Yamanashi (JP);
Harutora Inaba, Yamanashi (JP);
Masahiro Morioka, Yamanashi (JP);
Takatoshi Iwayama, Yamanashi (JP)

OTHER PUBLICATIONS

Non Final Office Action mailed Feb. 1, 2016 for U.S. Appl. No. 29/521,492.

(73) Assignee: **FANUC CORPORATION**, Yamanashi (JP)

(Continued)

(**) Term: **14 Years**

Primary Examiner — Susan Bennett Hattan

Assistant Examiner — Brett Miller

(74) *Attorney, Agent, or Firm* — RatnerPrestia

(21) Appl. No.: **29/504,668**

(22) Filed: **Oct. 8, 2014**

(30) **Foreign Application Priority Data**

Apr. 9, 2014 (JP) 2014-007814
Apr. 9, 2014 (JP) 2014-007818

(51) **LOC (10) Cl.** **15-99**

(52) **U.S. Cl.**
USPC **D15/199**

(58) **Field of Classification Search**
USPC D15/199; 74/490.01-490.06; D10/63;
D24/158, 184, 128
CPC B25J 17/00; B25J 9/06; B25J 9/102;
B25J 18/00; B25J 19/0029; B25J 19/0009;
A61B 19/2203; A61B 19/5212; A61B
1/008; A61B 2019/2234; A61B
2019/2242; A61B 2019/2223; A61B
2019/223; A61B 2019/2238
See application file for complete search history.

(56) **References Cited**

U.S. PATENT DOCUMENTS

5,327,058 A 7/1994 Rembutsu
5,375,480 A 12/1994 Nihei
D440,241 S 4/2001 Kawahara

(Continued)

(57) **CLAIM**

The ornamental design for an industrial robot, as shown and described.

DESCRIPTION

The patent or application file contains at least one drawing executed in color. Copies of this patent or patent application publication with color drawing(s) will be provided by the Office upon request and payment of the necessary fee.

FIG. 1 is a front perspective view of an industrial robot showing our new design;

FIG. 2 is a rear perspective view thereof;

FIG. 3 is a front view thereof;

FIG. 4 is a rear view thereof;

FIG. 5 is a left side elevational view thereof;

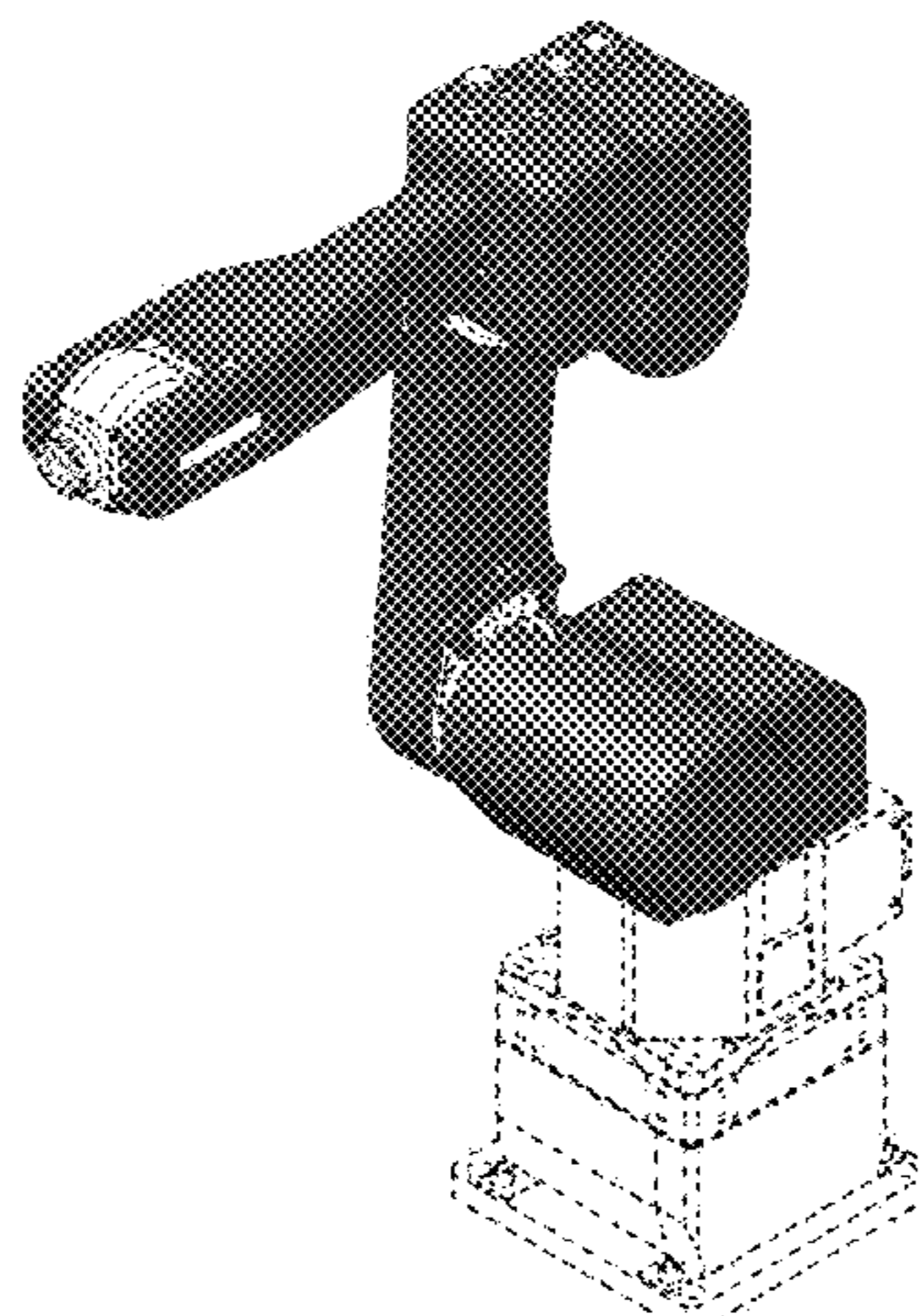
FIG. 6 is a right side elevational view thereof;

FIG. 7 is a top plan view thereof; and,

FIG. 8 is a bottom plan view thereof.

The broken lines shown in the drawings depict environment and form no part of the claimed design.

1 Claim, 8 Drawing Sheets
(8 of 8 Drawing Sheet(s) Filed in Color)



(56)

References Cited

U.S. PATENT DOCUMENTS

D443,287 S * 6/2001 Kawahara D15/199
 D613,781 S * 4/2010 Liu D15/199
 D615,574 S * 5/2010 Liu D15/199
 D616,477 S 5/2010 Long et al.
 D624,104 S 9/2010 Miyake
 D629,030 S * 12/2010 Long D15/199
 D636,803 S 4/2011 Nakagiri
 D638,043 S 5/2011 Tsuchiya
 D638,044 S * 5/2011 Ikoma D15/199
 D650,820 S * 12/2011 Long D15/199
 D651,627 S 1/2012 Long
 D670,319 S 11/2012 Liu
 D677,294 S * 3/2013 Long D15/199
 D678,378 S 3/2013 Selic
 D681,708 S * 5/2013 Miyake D15/199
 D690,753 S * 10/2013 Liu D15/199
 D707,277 S 6/2014 Olsson
 D713,436 S * 9/2014 Liu D15/199
 2005/0126327 A1 6/2005 Markert
 2005/0189333 A1 9/2005 Nakagiri

2010/0234996 A1 9/2010 Schreiber
 2011/0303042 A1 * 12/2011 Pan B25J 9/0009
 74/490.05
 2013/0125691 A1 5/2013 Wappling
 2013/0305869 A1 11/2013 Krumbacher
 2014/0047940 A1 2/2014 Yamamoto
 2014/0224057 A1 * 8/2014 Tanaka B25J 9/102
 74/490.05
 2015/0202780 A1 * 7/2015 Wang B25J 17/00
 74/490.05
 2015/0258681 A1 * 9/2015 Kinoshita B25J 19/0004
 74/490.03
 2016/0089779 A1 * 3/2016 Hahakura B25J 9/046
 74/490.02
 2016/0089794 A1 * 3/2016 Niu B25J 19/0029
 74/490.02

OTHER PUBLICATIONS

Non Final Office Action mailed Feb. 2, 2016 for U.S. Appl. No. 29/521,496.

* cited by examiner

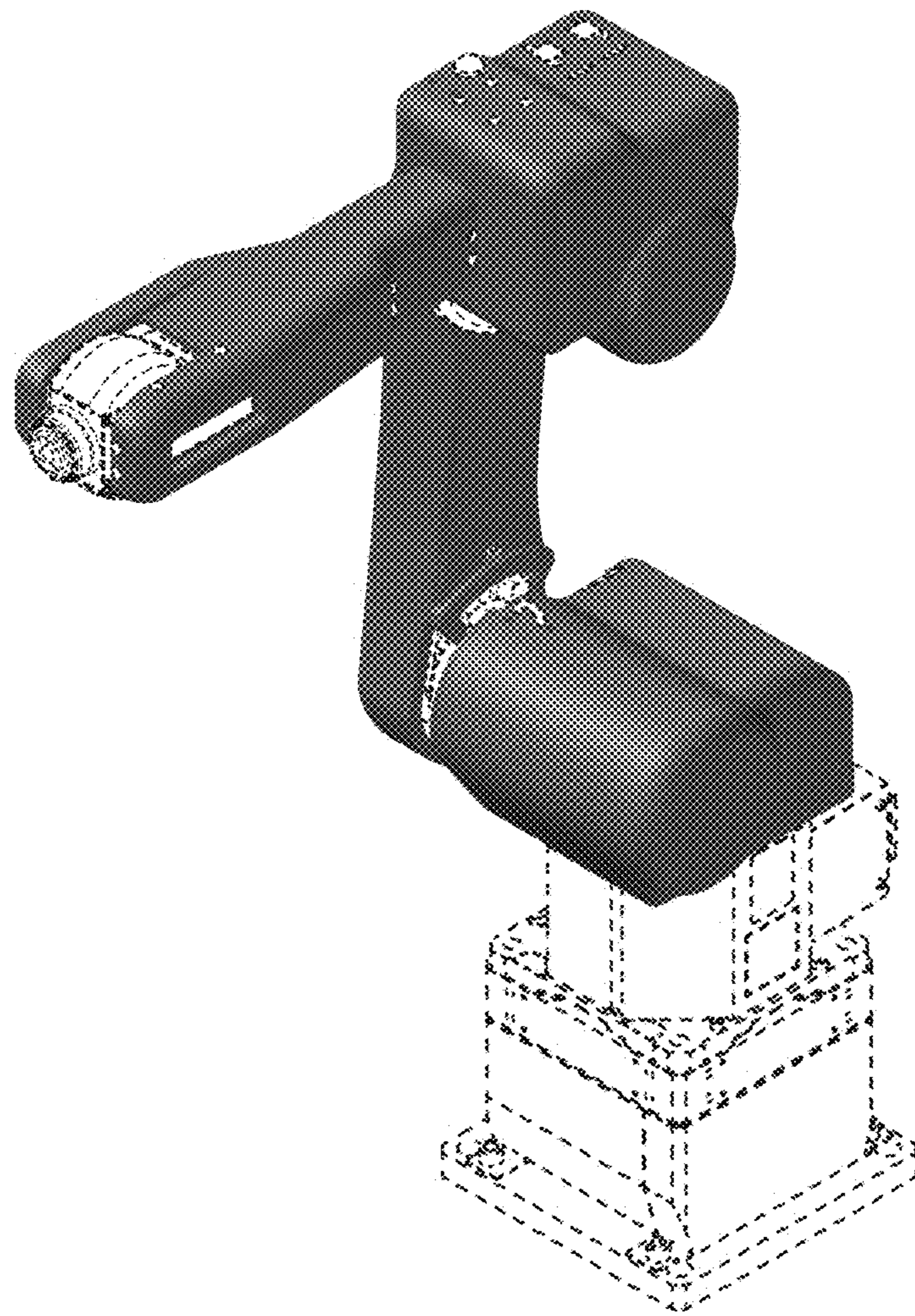


FIG. 1

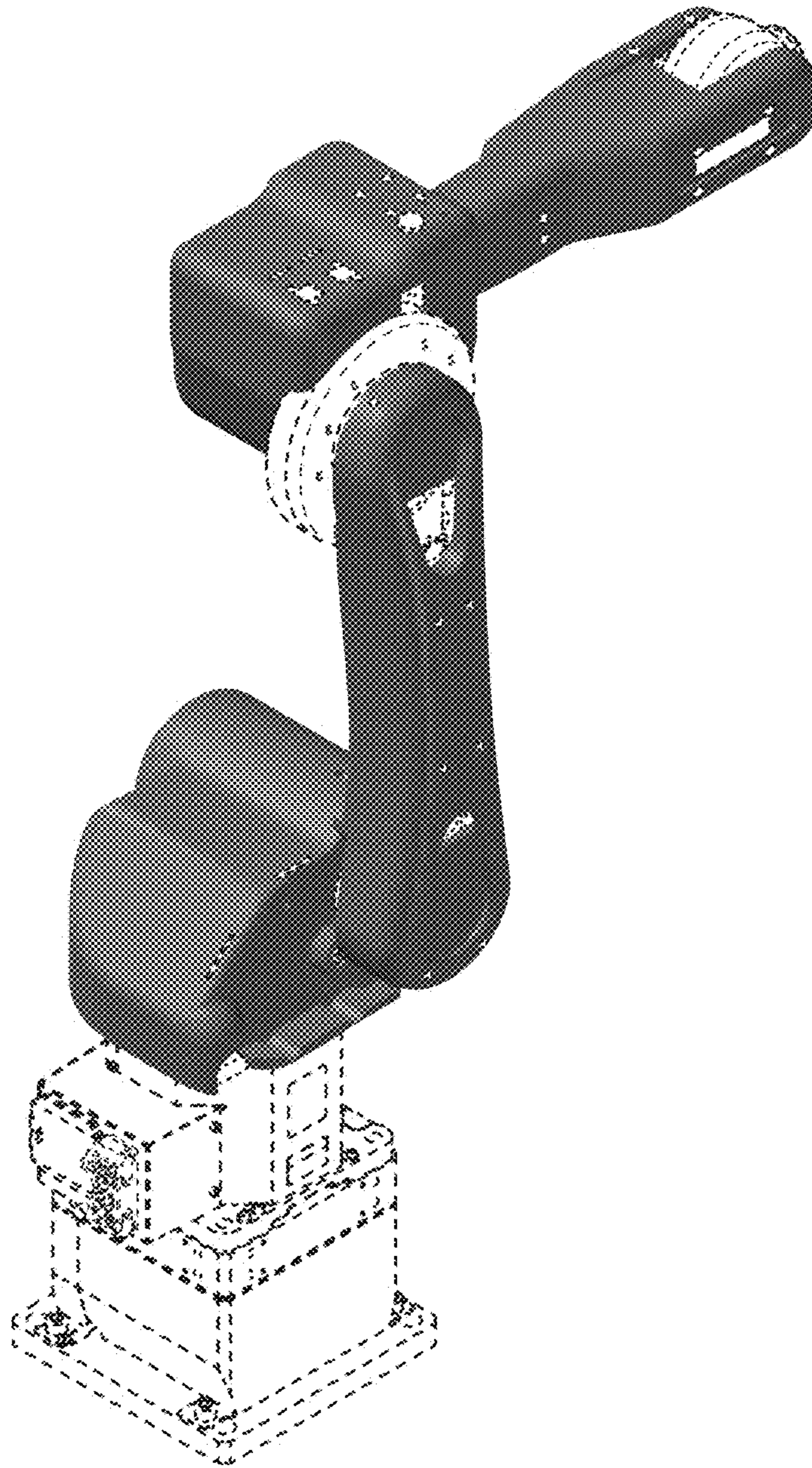


FIG. 2



FIG. 3



FIG. 4

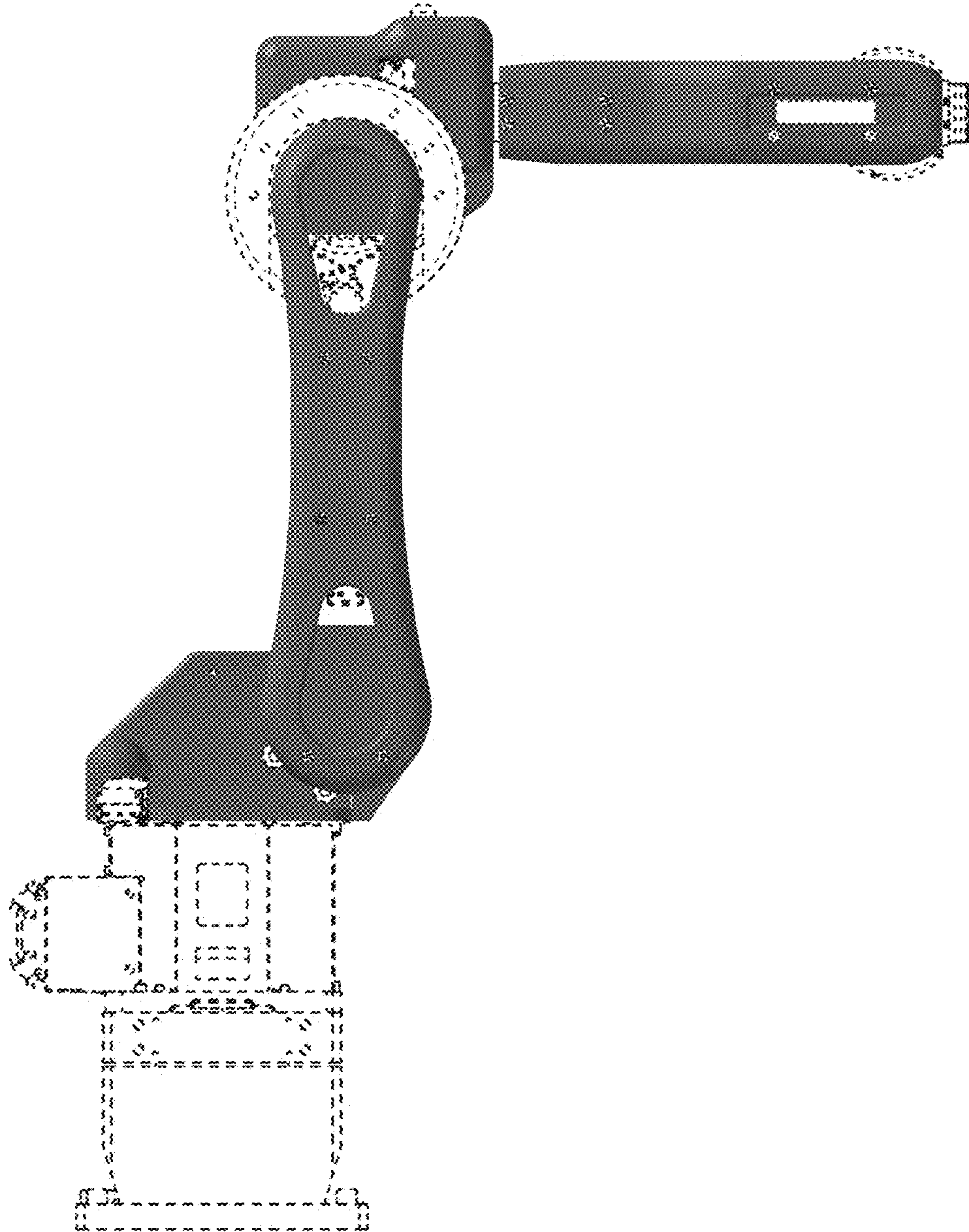


FIG. 5

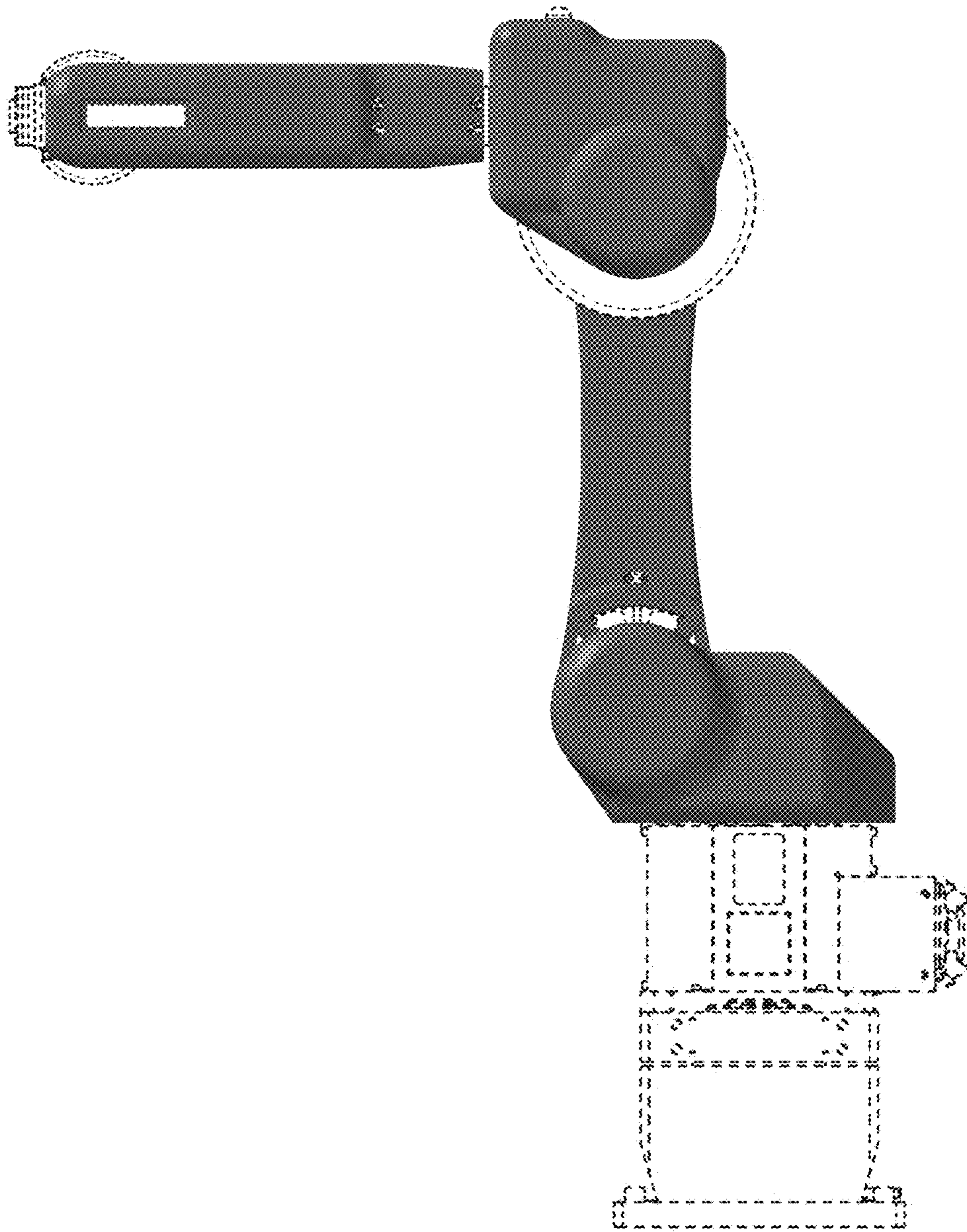


FIG. 6

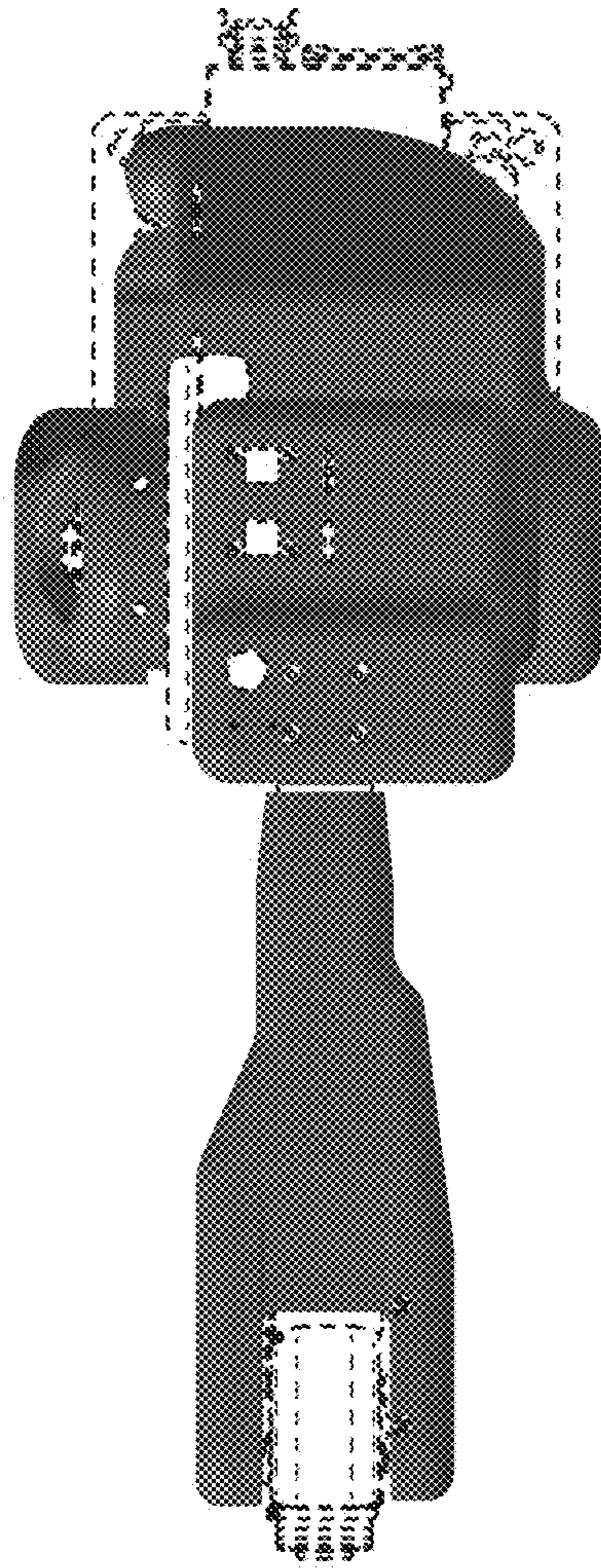


FIG. 7

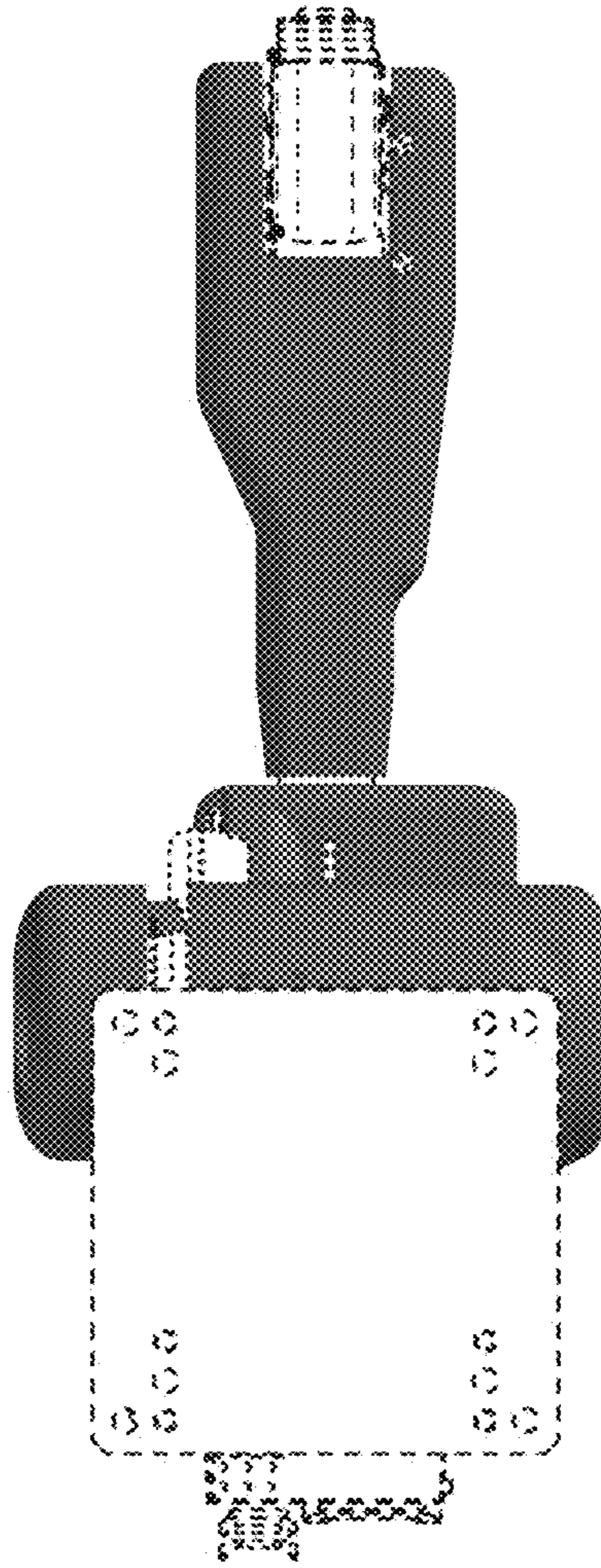


FIG. 8