



US00D774577S

(12) **United States Design Patent** (10) **Patent No.:** **US D774,577 S**
Rausch et al. (45) **Date of Patent:** **** Dec. 20, 2016**

(54) **COMBINATION VACUUM PACKAGING MACHINE**

FOREIGN PATENT DOCUMENTS

(71) Applicant: **Hantover, Inc.**, Overland Park, KS (US)

KR 20130040969 A 4/2013
RU 2174936 C2 10/2001
WO 2006102132 A2 9/2006

(72) Inventors: **David A. Rausch**, Lawrence, KS (US);
Bernard G. Huff, Belton, MO (US)

OTHER PUBLICATIONS

(73) Assignee: **Hantover, Inc.**, Overland Park, KS (US)

International Search Report and Written Opinion from PCT/US2014/052771 entitled: Combination Chamber and External Suction Vacuum Packaging Machine.

(**) Term: **14 Years**

* cited by examiner

(21) Appl. No.: **29/500,592**

Primary Examiner — Susan Bennett Hattan

(22) Filed: **Aug. 26, 2014**

Assistant Examiner — Brett Miller

(51) **LOC (10) Cl.** **15-99**

(74) *Attorney, Agent, or Firm* — Hovey Williams LLP

(52) **U.S. Cl.**
USPC **D15/146**

(57) **CLAIM**

(58) **Field of Classification Search**
USPC D15/122–143, 144–147; 53/512,
53/510–511; D14/420–425; D18/50;
D3/282, D3/204, 294

The ornamental design for a combination vacuum packaging machine, as shown and described.

See application file for complete search history.

DESCRIPTION

(56) **References Cited**

U.S. PATENT DOCUMENTS

5,239,808 A * 8/1993 Wells B29C 65/228
53/512
5,638,664 A 6/1997 Levsen et al.
6,256,968 B1 * 7/2001 Kristen B65B 31/02
53/512
7,146,783 B2 12/2006 Levsen et al.
D536,355 S 2/2007 Levsen et al.
7,197,861 B2 * 4/2007 Higer B65B 31/024
53/510
D629,822 S * 12/2010 Torre D15/145
D727,382 S * 4/2015 Jenkins D15/146
2004/0031245 A1 * 2/2004 Kingeter B65B 31/02
53/510
2015/0052850 A1 * 2/2015 Rausch B65B 31/048
53/405

FIG. 1 is a front perspective of a combination vacuum packaging machine embodying our design; FIG. 2 is a front elevation of the combination vacuum packaging machine shown in FIG. 1; FIG. 3 is a right side elevation of the combination vacuum packaging machine shown in FIGS. 1 and 2, with the opposite side elevational view being a mirror image thereof; FIG. 4 is a rear elevation of the combination vacuum packaging machine shown in FIGS. 1-3; and, FIG. 5 is a top view of the combination vacuum packaging machine shown in FIGS. 1-4.

The dashed broken lines are directed to environment. The dot-dash broken lines are directed to boundaries that form no part of the claimed design. None of the broken lines form part of the claimed design.

1 Claim, 5 Drawing Sheets

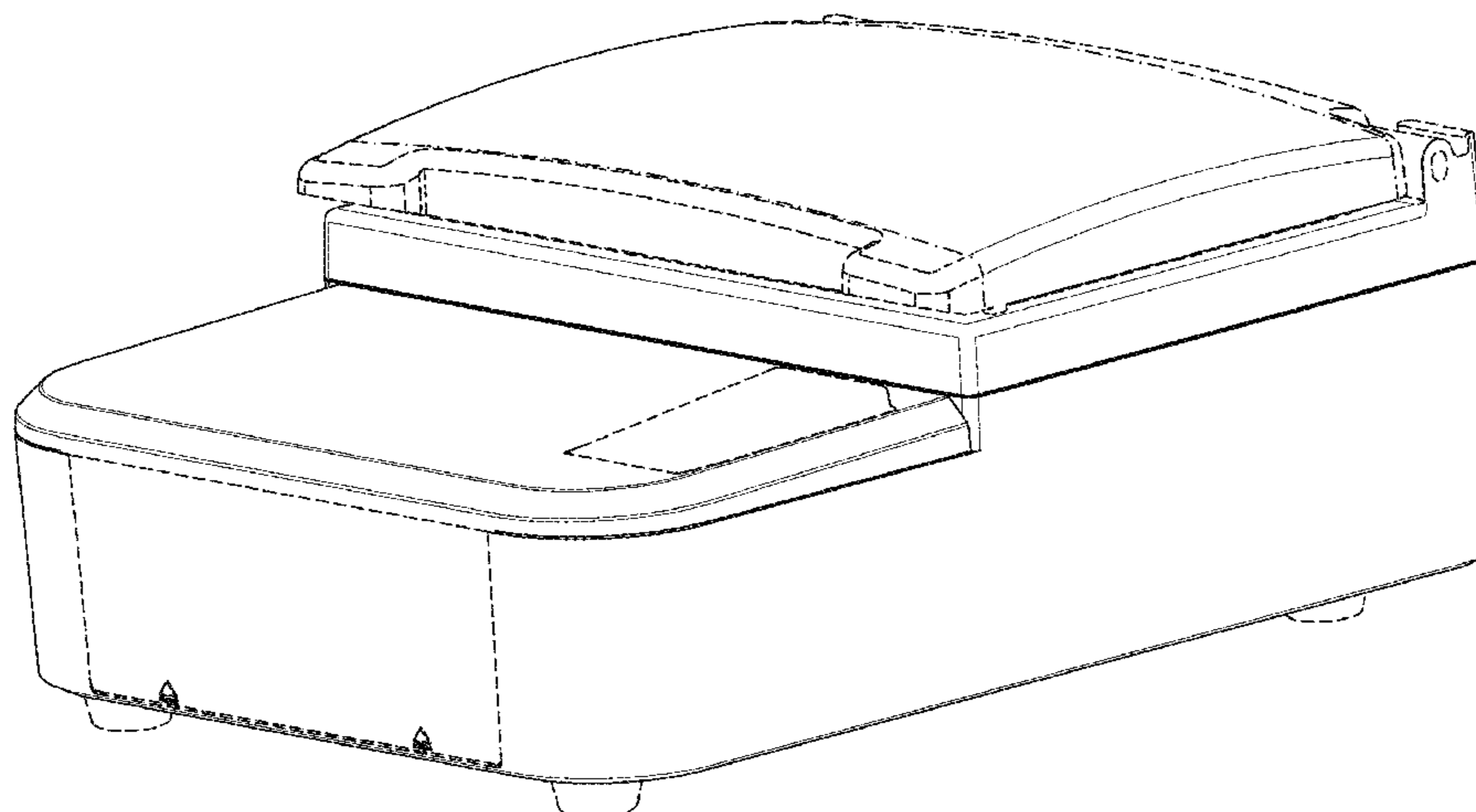
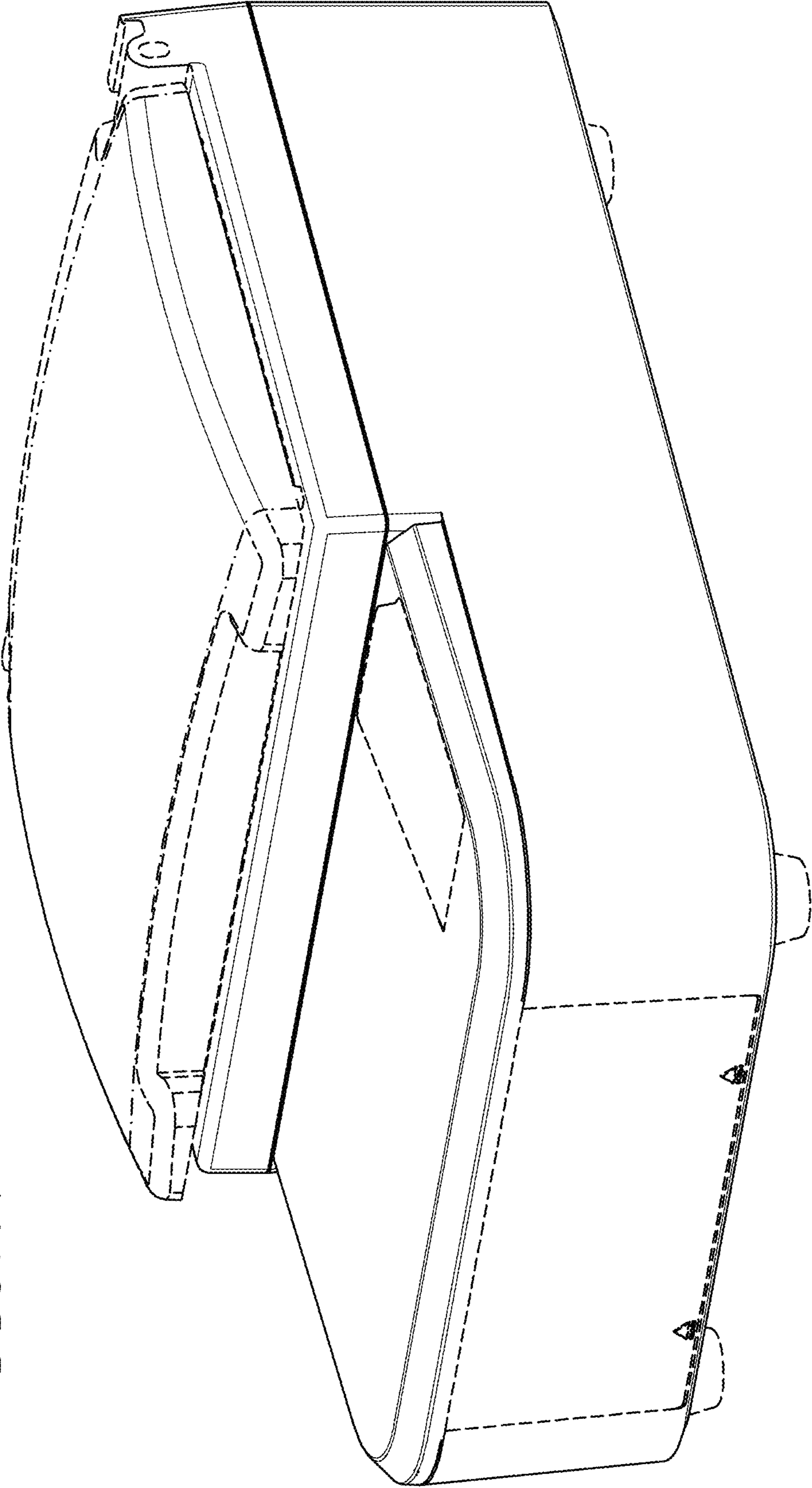


FIG. 1.



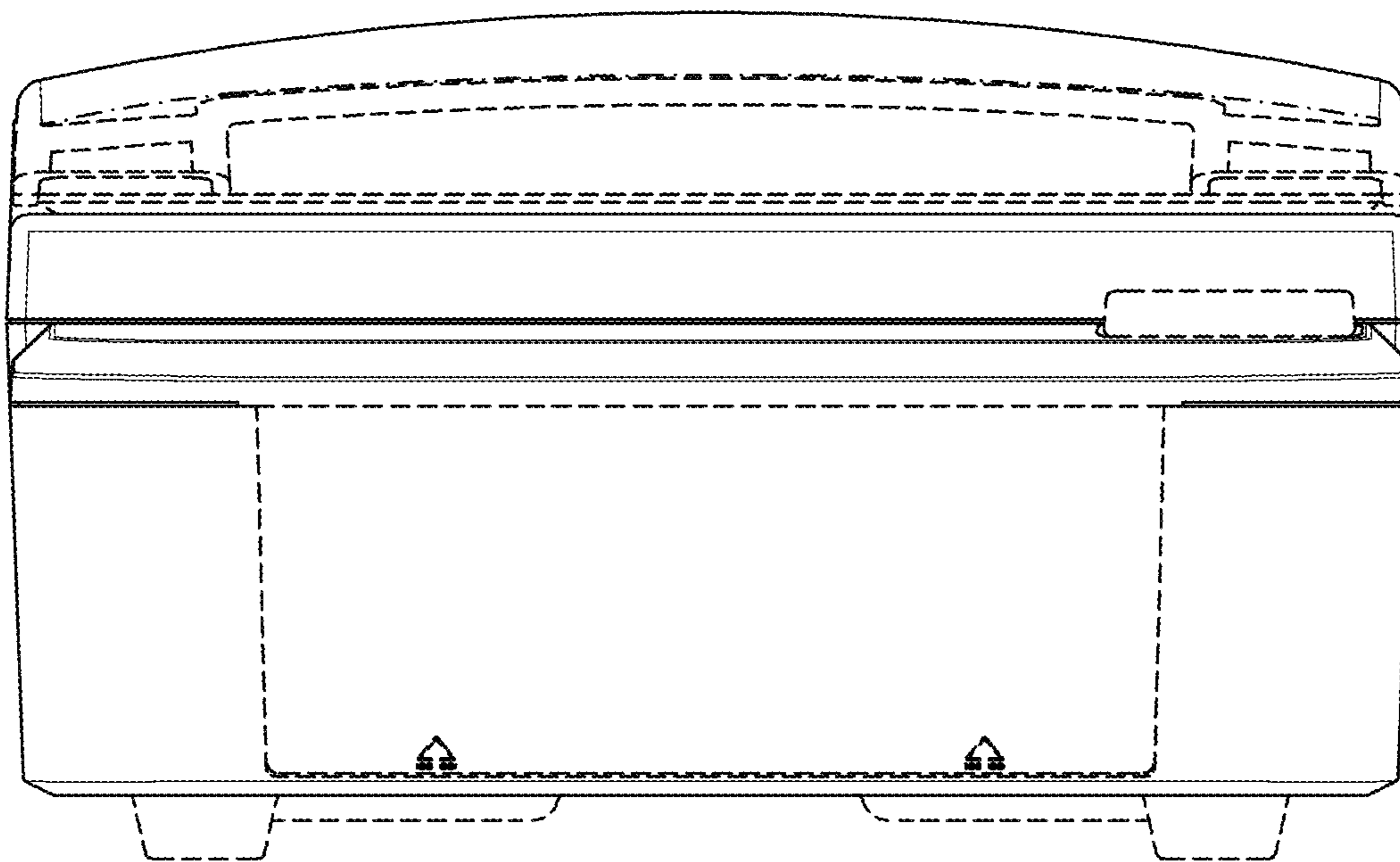


FIG. 2.

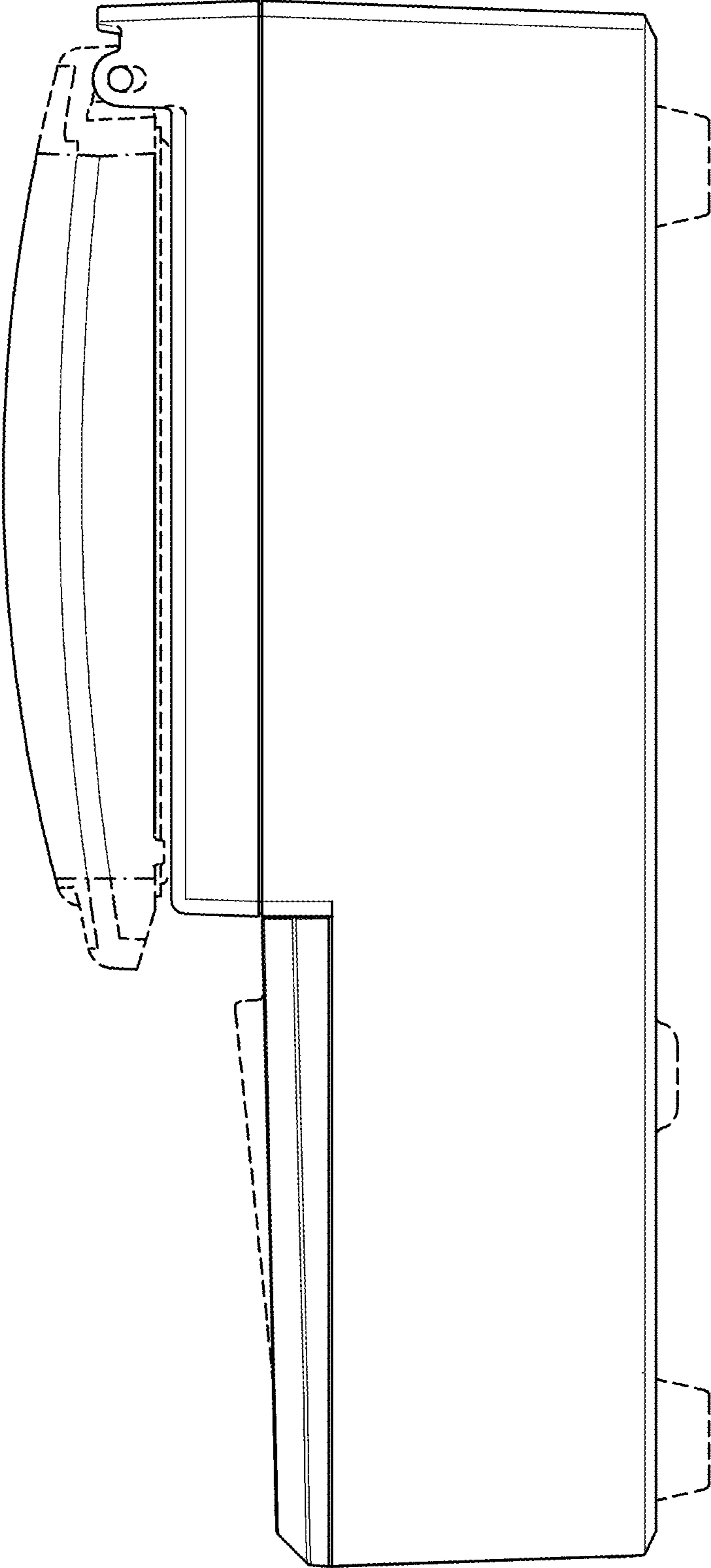


FIG. 3.

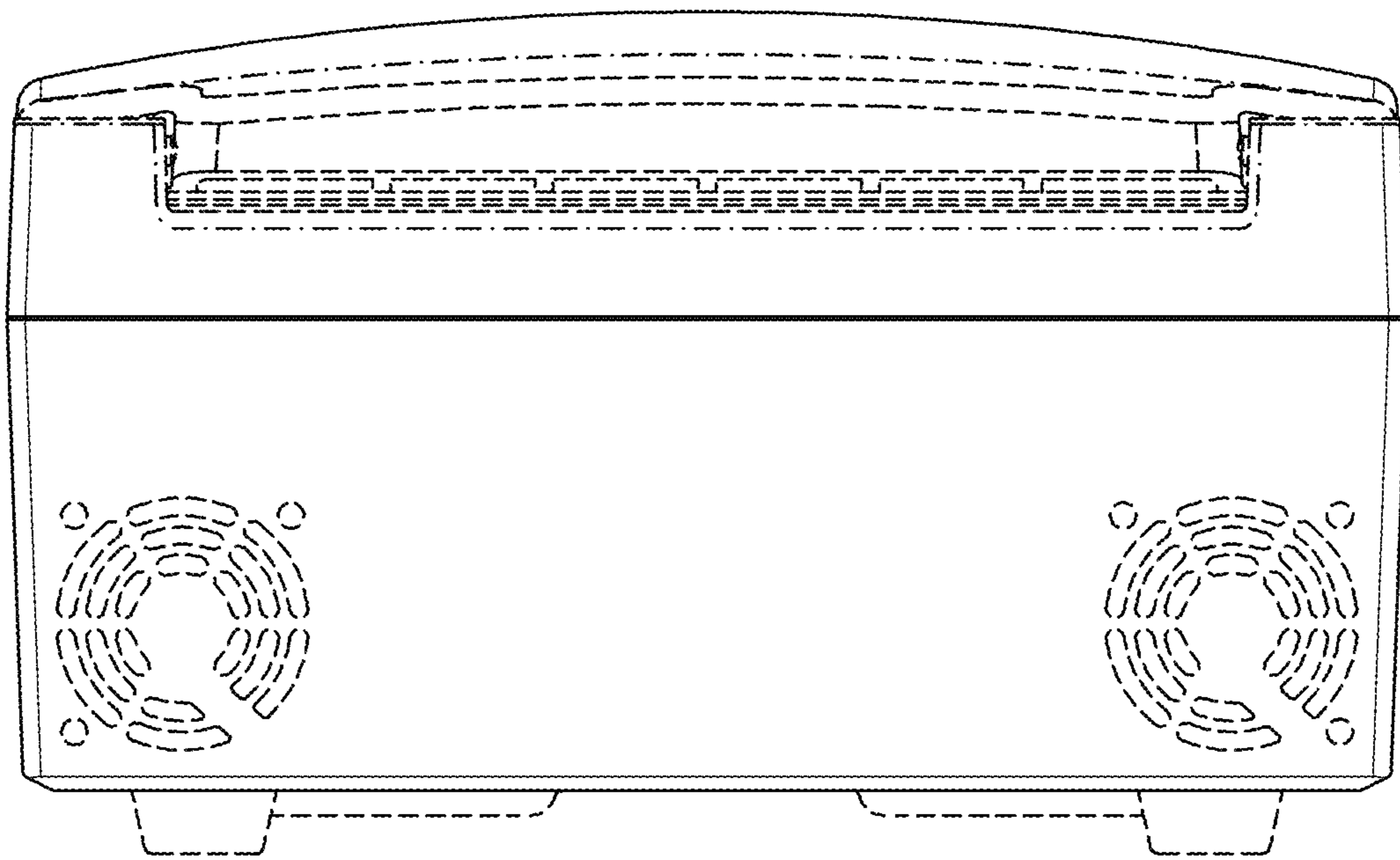


FIG. 4.

FIG. 5.

