



US00D774576S

(12) **United States Design Patent**
Zheng et al.

(10) **Patent No.:** **US D774,576 S**

(45) **Date of Patent:** **** Dec. 20, 2016**

- (54) **MOTOR** 8,201,478 B2 * 6/2012 Ramirez, Jr. F16H 57/039
74/416
- (71) Applicant: **SZ DJI TECHNOLOGY CO., LTD.**, 8,505,412 S * 4/2013 Sannomiya D15/148
Shenzhen (CN) 8,505,412 B2 * 8/2013 Murakami F16H 57/025
74/425
- (72) Inventors: **Hai-Bin Zheng**, Shenzhen (CN); **Min Kim**, Shenzhen (CN) D706,325 S * 6/2014 Wada D15/148
D707,739 S * 6/2014 Wada D15/148
D709,450 S * 7/2014 Tanabe D13/112
D716,226 S * 10/2014 Lau D13/112
- (73) Assignee: **SZ DJI Technology Co., Ltd.**, 8,901,800 B2 * 12/2014 Mizutani H02K 7/1166
Shenzhen (CN) 310/241
- (**) Term: **14 Years** D722,560 S * 2/2015 Lau D13/112
D736,289 S * 8/2015 Cross D15/149
D737,877 S * 9/2015 Cross D15/149
9,172,283 B2 * 10/2015 Li H02K 3/522
D747,745 S * 1/2016 Sannomiya D15/5
- (21) Appl. No.: **29/524,293**

(Continued)

- (22) Filed: **Apr. 20, 2015**
- (51) **LOC (10) Cl.** **15-09**
- (52) **U.S. Cl.**
USPC **D15/143**
- (58) **Field of Classification Search**
USPC D13/112-114, 122, 199; D15/1, 5, 143,
D15/148, 149
See application file for complete search history.

Primary Examiner — Patricia Palasik
(74) *Attorney, Agent, or Firm* — Sterne, Kessler,
Goldstein & Fox P.L.L.C.

(57) **CLAIM**

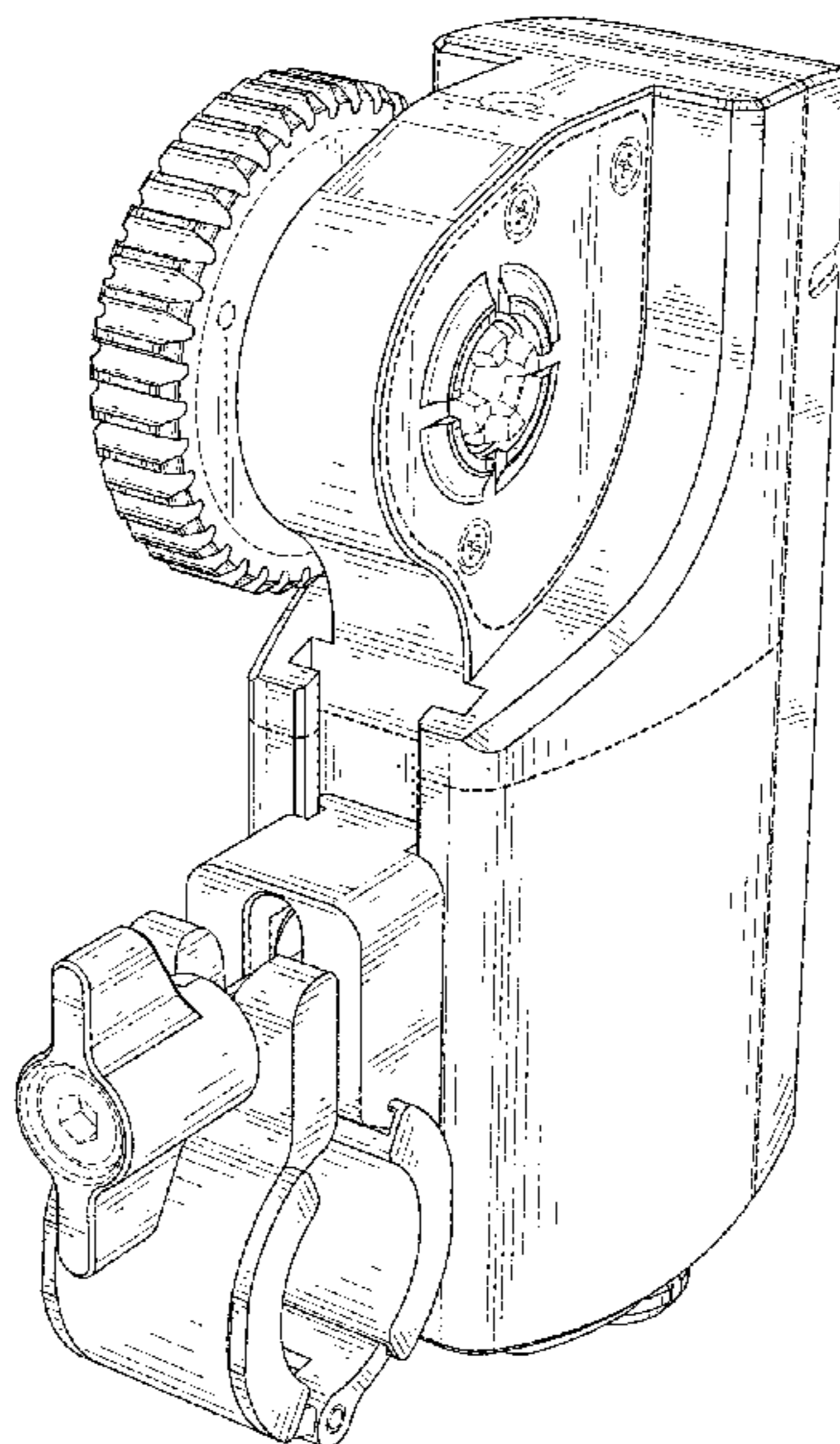
The ornamental design for a motor, as shown and described.

DESCRIPTION

- (56) **References Cited**
U.S. PATENT DOCUMENTS
- 6,014,915 A * 1/2000 Evans F16H 1/16
74/606 R
- D522,027 S * 5/2006 Saito D15/148
- D551,167 S * 9/2007 Kubota D13/112
- D589,879 S * 4/2009 Yokota D13/112
- D597,573 S * 8/2009 Lin D15/149
- 7,859,148 B2 * 12/2010 Mizutani H01R 39/38
310/238
- 7,973,448 B2 * 7/2011 Omori H02K 5/148
310/234
- 8,129,879 B2 * 3/2012 Uchimura H02K 5/148
310/239
- D660,891 S * 5/2012 Sannomiya D15/143

FIG. 1 is a perspective view of a motor, showing our new design;
FIG. 2 is a perspective view thereof in another visual angle.
FIG. 3 is a front elevational view thereof;
FIG. 4 is a rear elevational view thereof;
FIG. 5 is a left side elevational view thereof;
FIG. 6 is a right side elevational view thereof;
FIG. 7 is a top plan view thereof; and,
FIG. 8 is a bottom plan view thereof.
The broken lines in the drawings are employed to show unclaimed portions of the motor, and form no part of the claimed design.

1 Claim, 8 Drawing Sheets



(56)

References Cited

U.S. PATENT DOCUMENTS

2002/0111241 A1* 8/2002 Kujira F16H 37/041
475/149

2002/0130567 A1* 9/2002 Kujira G05B 19/234
310/68 B

2008/0136278 A1* 6/2008 Lee H02K 1/148
310/89

2009/0019773 A1* 1/2009 Gruhn E05B 81/20
49/28

2011/0089789 A1* 4/2011 Tang H02K 5/148
310/68 B

2011/0133584 A1* 6/2011 Uchimura F16H 57/023
310/83

2011/0156545 A1* 6/2011 Wen H02K 11/38
310/68 B

2012/0025643 A1* 2/2012 Shibusawa H02K 5/225
310/71

2012/0139371 A1* 6/2012 Gottschalk H02K 11/026
310/71

2012/0161561 A1* 6/2012 Kuhnen H02K 5/148
310/72

2012/0212080 A1* 8/2012 Jiang H02K 5/148
310/43

2013/0008276 A1* 1/2013 Horikawa F16H 55/088
74/427

2013/0057122 A1* 3/2013 Huck H02K 5/225
310/68 R

2013/0167680 A1* 7/2013 Lam F16H 57/048
74/467

2013/0220073 A1* 8/2013 Suto F16H 1/16
74/606 R

2013/0221775 A1* 8/2013 Pribisic H02K 5/225
310/71

2013/0257185 A1* 10/2013 Akutsu H02K 5/08
310/43

* cited by examiner

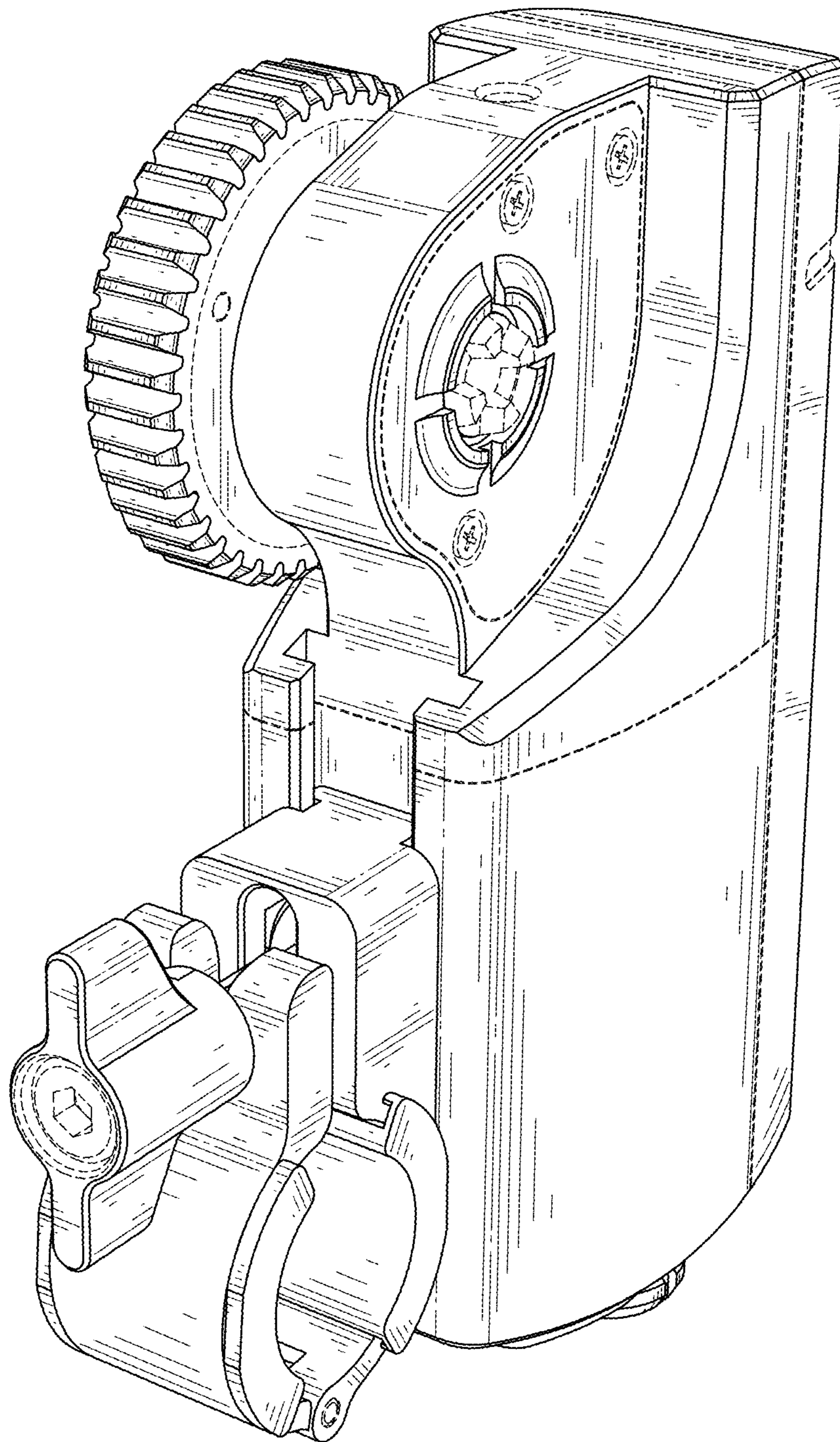


FIG. 1

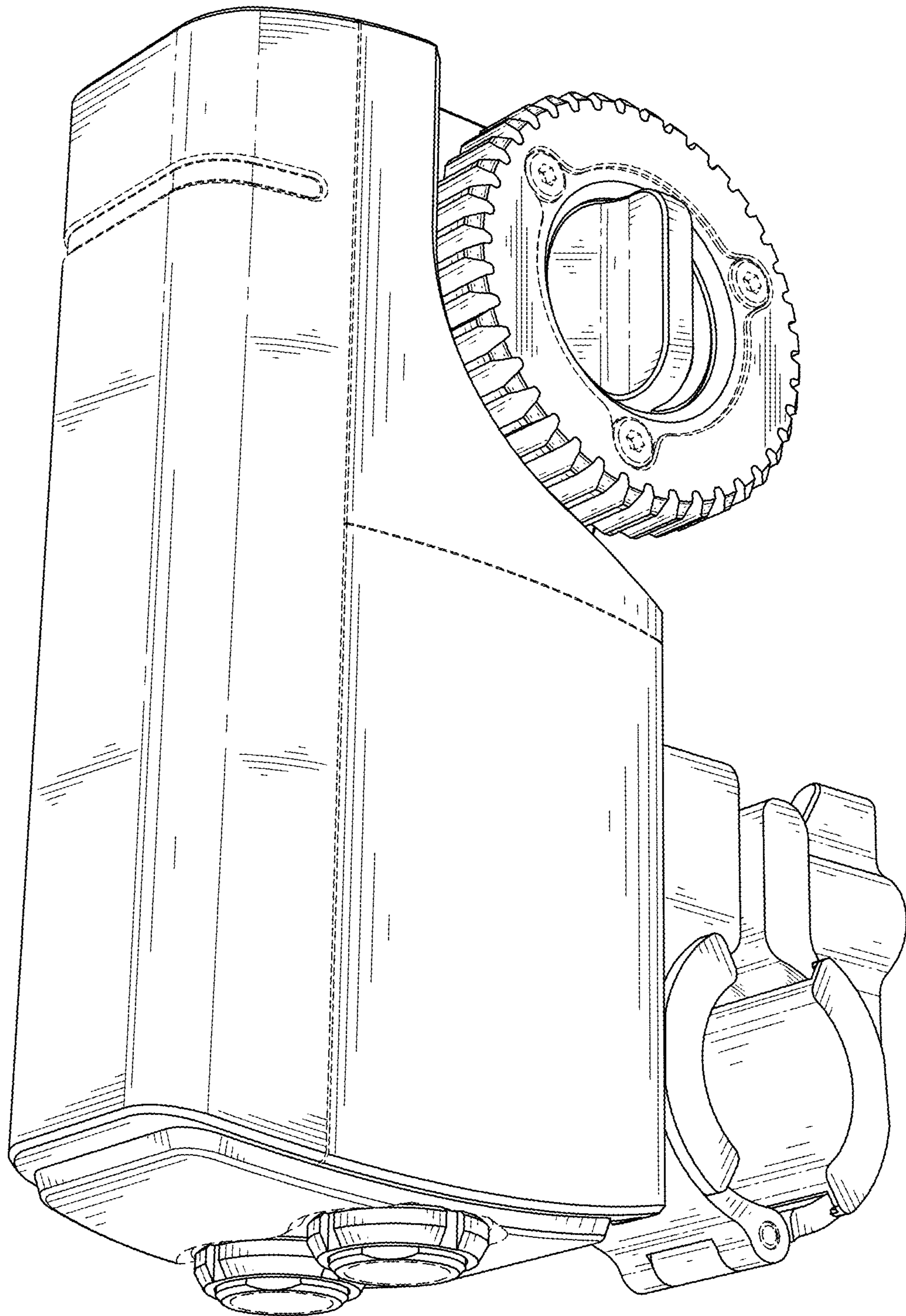


FIG. 2

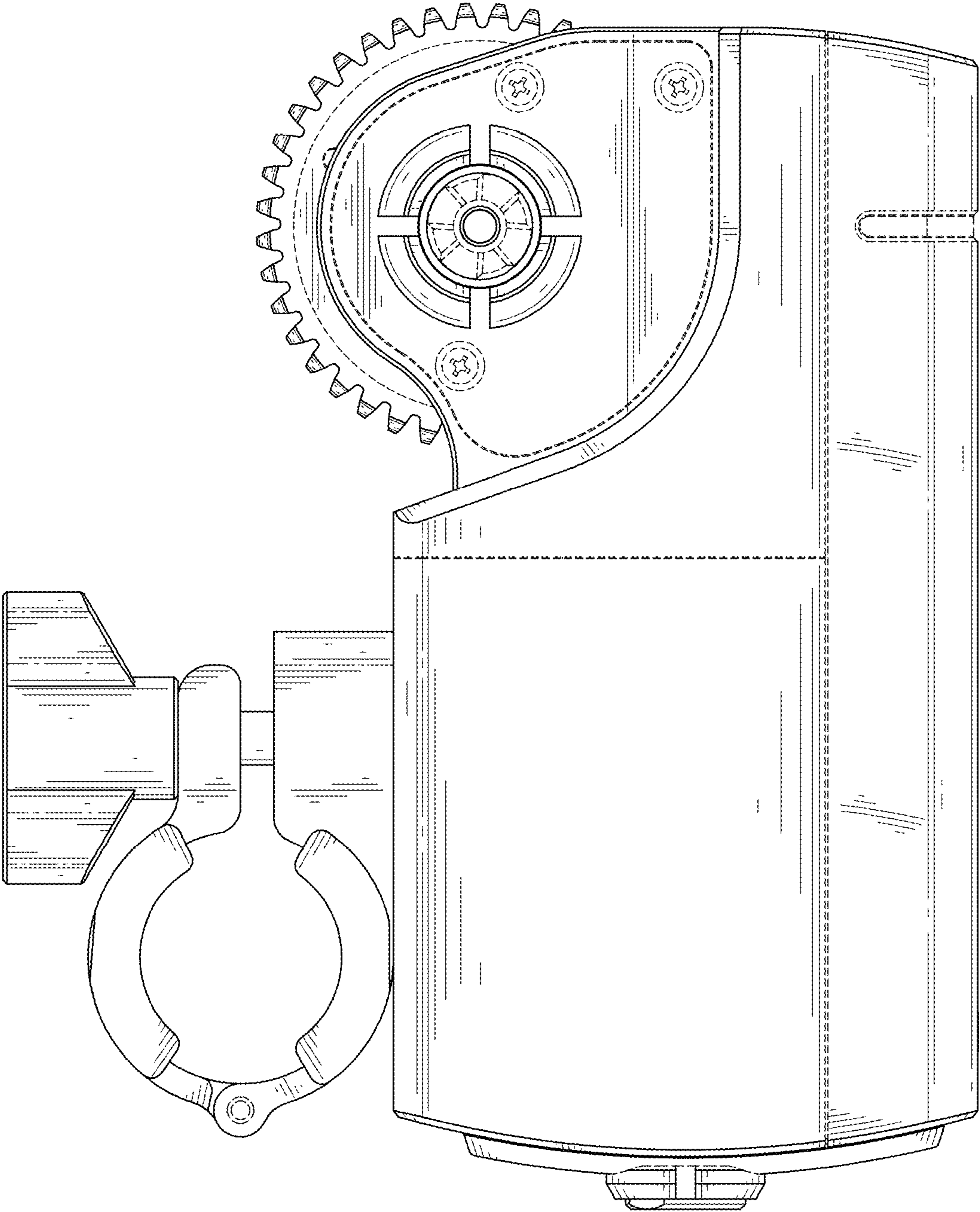


FIG. 3

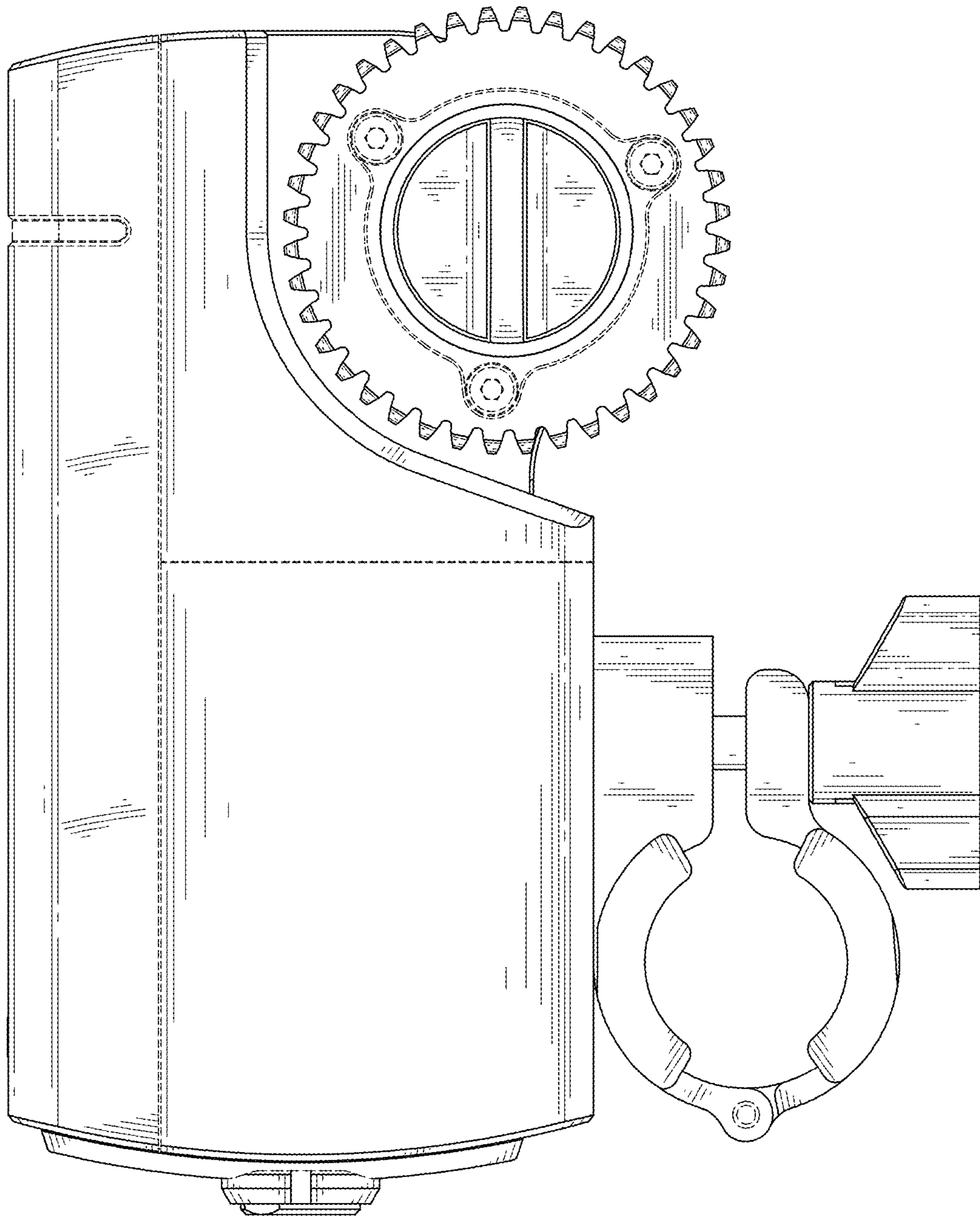


FIG. 4

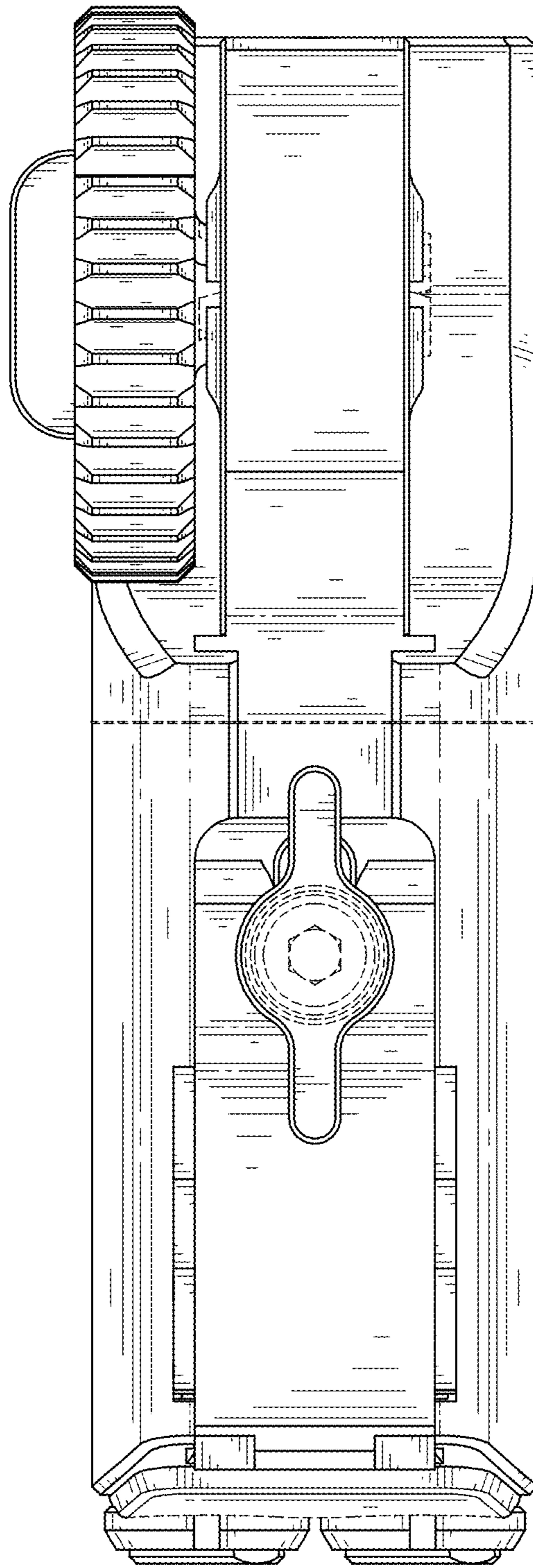


FIG. 5

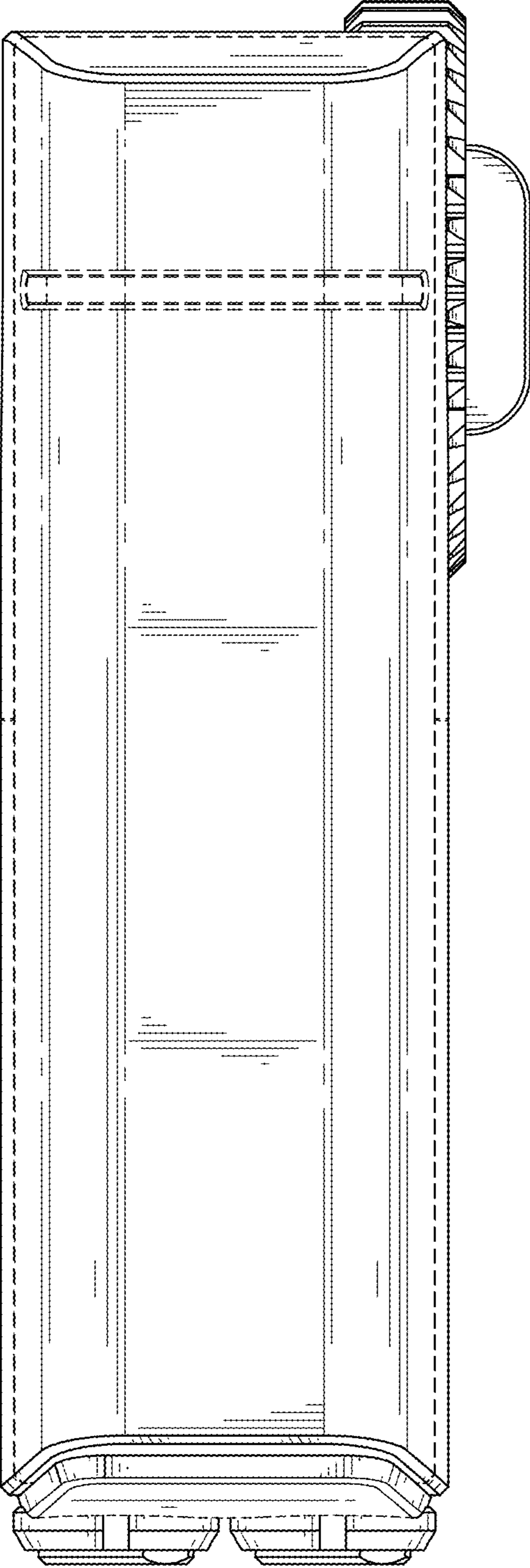


FIG. 6

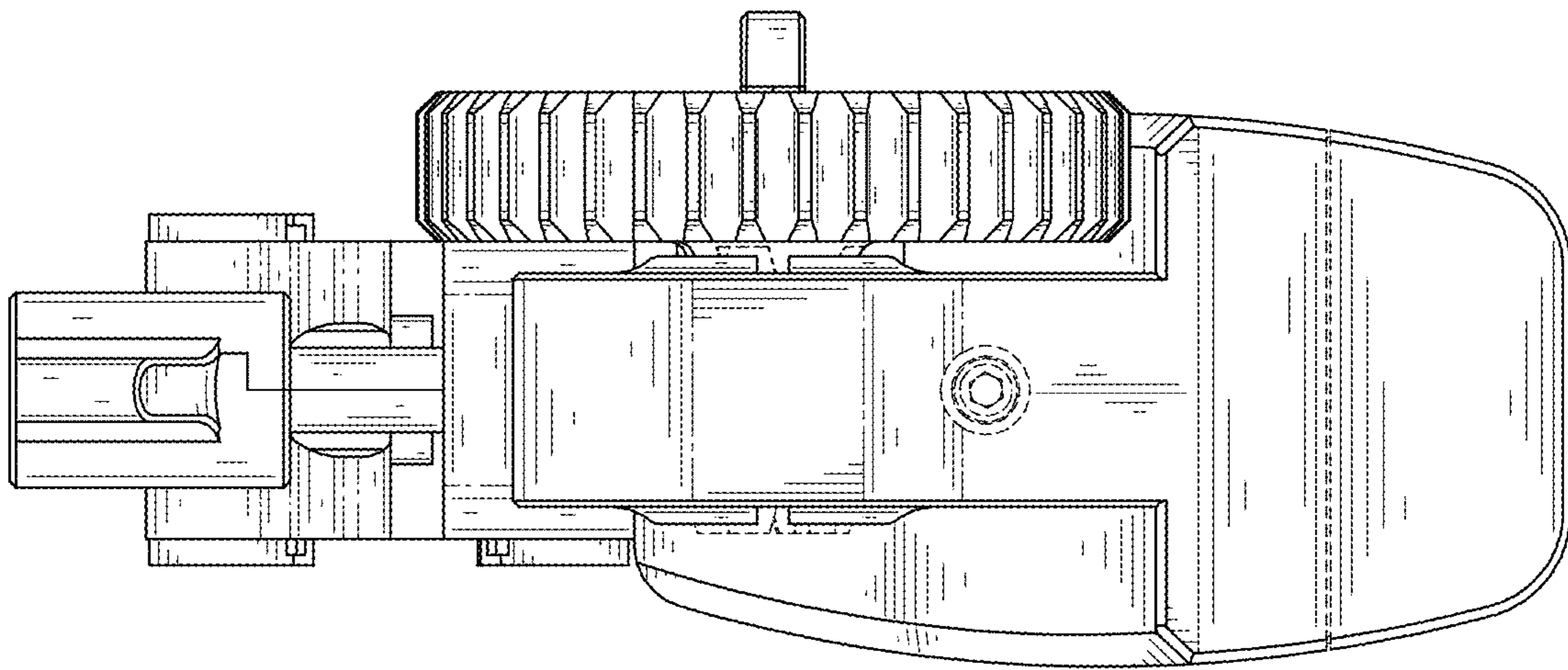


FIG. 7

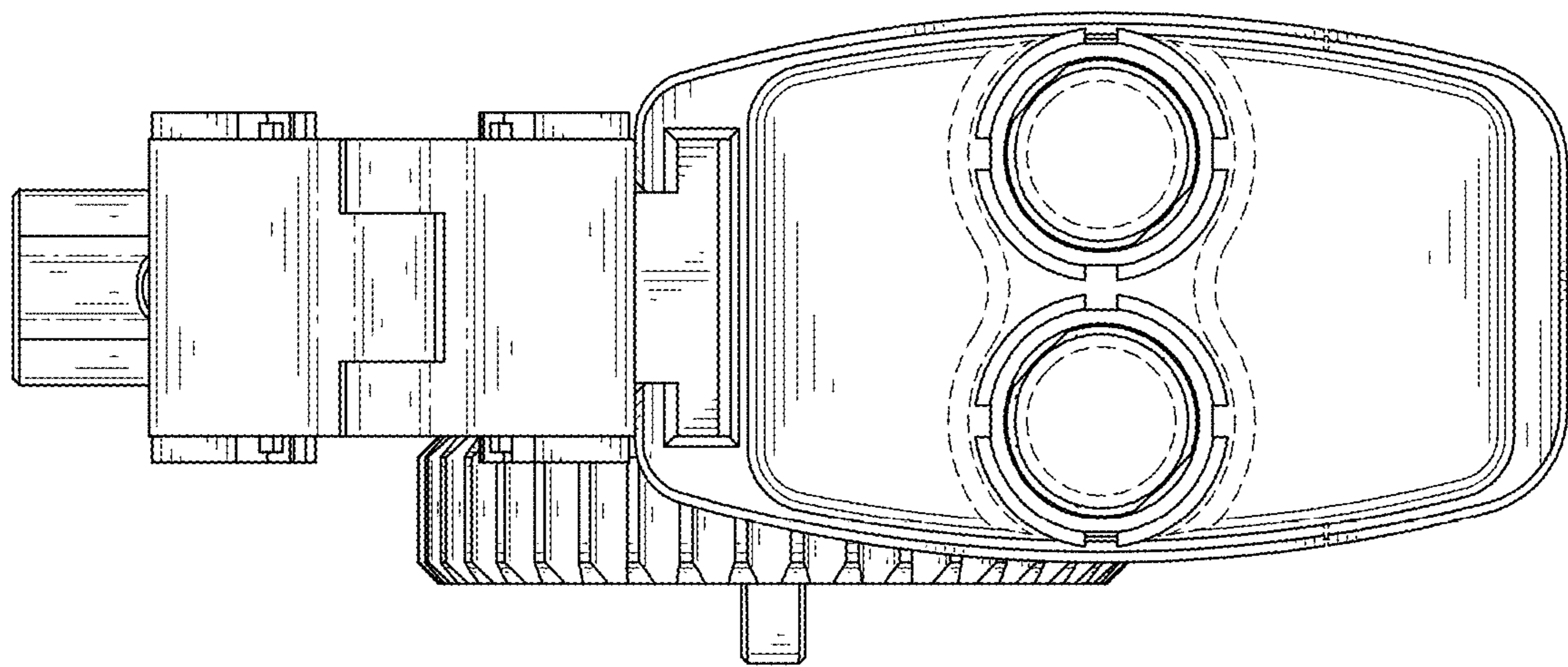


FIG. 8