



US00D774575S

(12) **United States Design Patent** (10) **Patent No.:** **US D774,575 S**  
**Nakamura et al.** (45) **Date of Patent:** **\*\* Dec. 20, 2016**

(54) **GEAR CUTTING TOOL**

(71) Applicant: **MITSUBISHI HEAVY INDUSTRIES MACHINE TOOL CO., LTD.**,  
Ritto-shi, Shiga (JP)

(72) Inventors: **Yozo Nakamura**, Tokyo (JP); **Tetuji Monden**, Tokyo (JP)

(73) Assignee: **MITSUBISHI HEAVY INDUSTRIES MACHINE TOOL CO., LTD.**, Shiga (JP)

(\*\*) Term: **15 Years**

(21) Appl. No.: **29/540,610**

(22) Filed: **Sep. 25, 2015**

(30) **Foreign Application Priority Data**

Apr. 27, 2015 (JP) ..... 2015-009462

(51) **LOC (10) Cl.** ..... **15-09**

(52) **U.S. Cl.**  
USPC ..... **D15/139**

(58) **Field of Classification Search**  
USPC ..... D15/131, 138, 139, 140  
See application file for complete search history.

(56) **References Cited**

**U.S. PATENT DOCUMENTS**

1,996,987	A *	4/1935	Wildhaber	.....	B23F 21/16 407/26
2,126,178	A *	8/1938	Drummond	.....	B23F 21/28 407/27
2,380,208	A *	7/1945	Ashton	.....	B23F 19/06 409/33

D525,995	S *	8/2006	Bjork	.....	D15/139
2013/0091970	A1 *	4/2013	O-oka	.....	F16H 55/08 74/458
2014/0140781	A1 *	5/2014	Sjoo	.....	B23F 21/146 408/8

\* cited by examiner

*Primary Examiner* — Patricia Palasik

(74) *Attorney, Agent, or Firm* — Birch, Stewart, Kolasch & Birch, LLP

(57) **CLAIM**

The ornamental design for a gear cutting tool, as shown and described.

**DESCRIPTION**

This application incorporates by reference Design Patent Application No. 2015-009462, filed in Japan on Apr. 27, 2015. All the material from the Design Patent Application No. 2015-009462, filed in Japan on Apr. 27, 2015 which is essential to the claimed design is included in this application. It is understood that any material in the Design Patent Application No. 2015-009462, filed in Japan on Apr. 27, 2015 which is not present in this application forms no part of the claimed design.

FIG. 1 is a perspective view of a gear cutting tool.

FIG. 2 is a front elevation view thereof.

FIG. 3 is a rear elevation view thereof.

FIG. 4 is a top plan view thereof.

FIG. 5 is a bottom plan view thereof.

FIG. 6 is a left side elevation view thereof.

FIG. 7 is a right side elevation view thereof.

FIG. 8 is an enlarged cross-sectional view taken along the line 8-8 in FIG. 2.

FIG. 9 is an enlarged view of the portion 9-9' in FIG. 1; and,

FIG. 10 is an enlarged view of the portion 10-10' in FIG. 2.

**1 Claim, 10 Drawing Sheets**

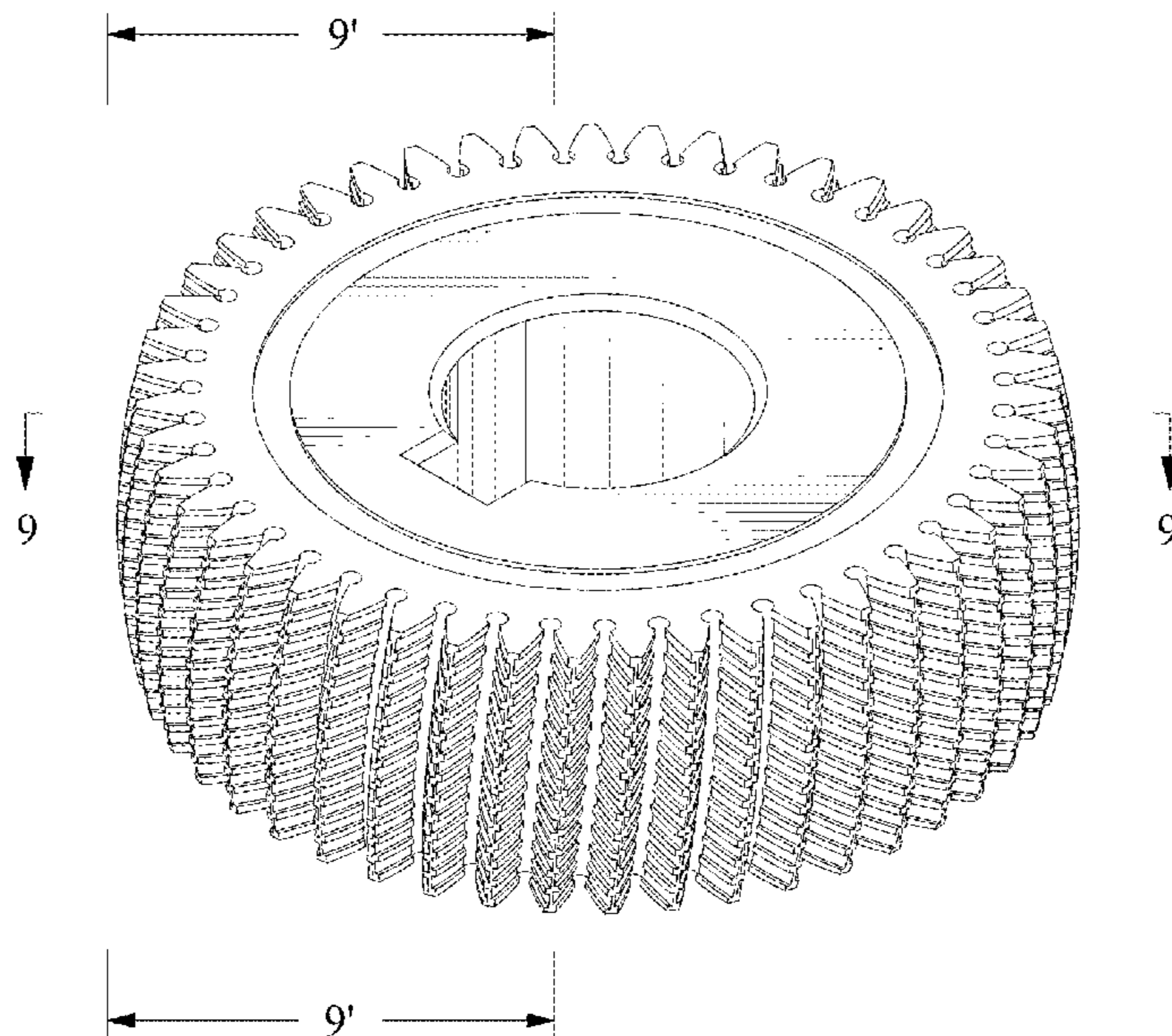


FIG. 1

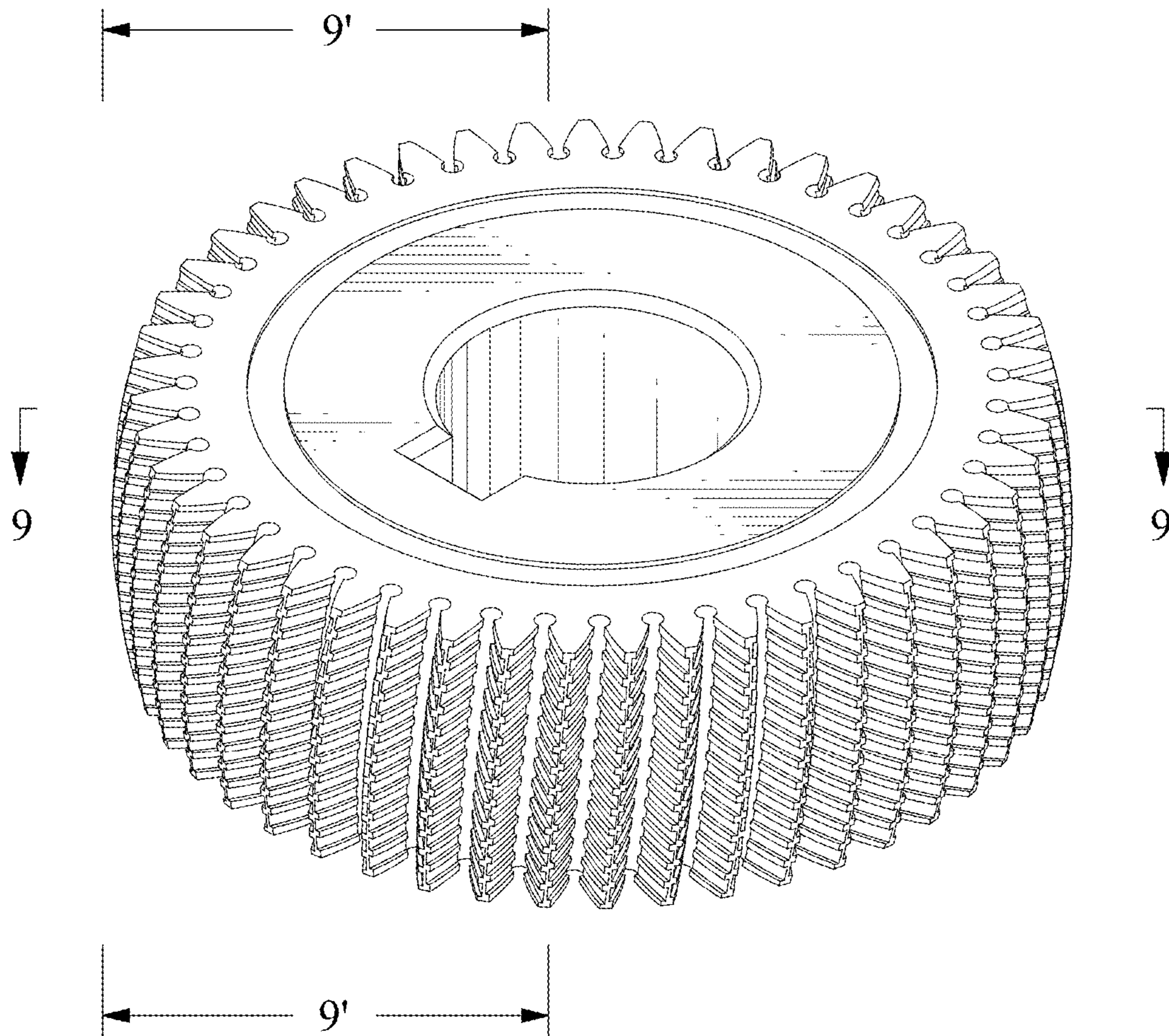


FIG. 2

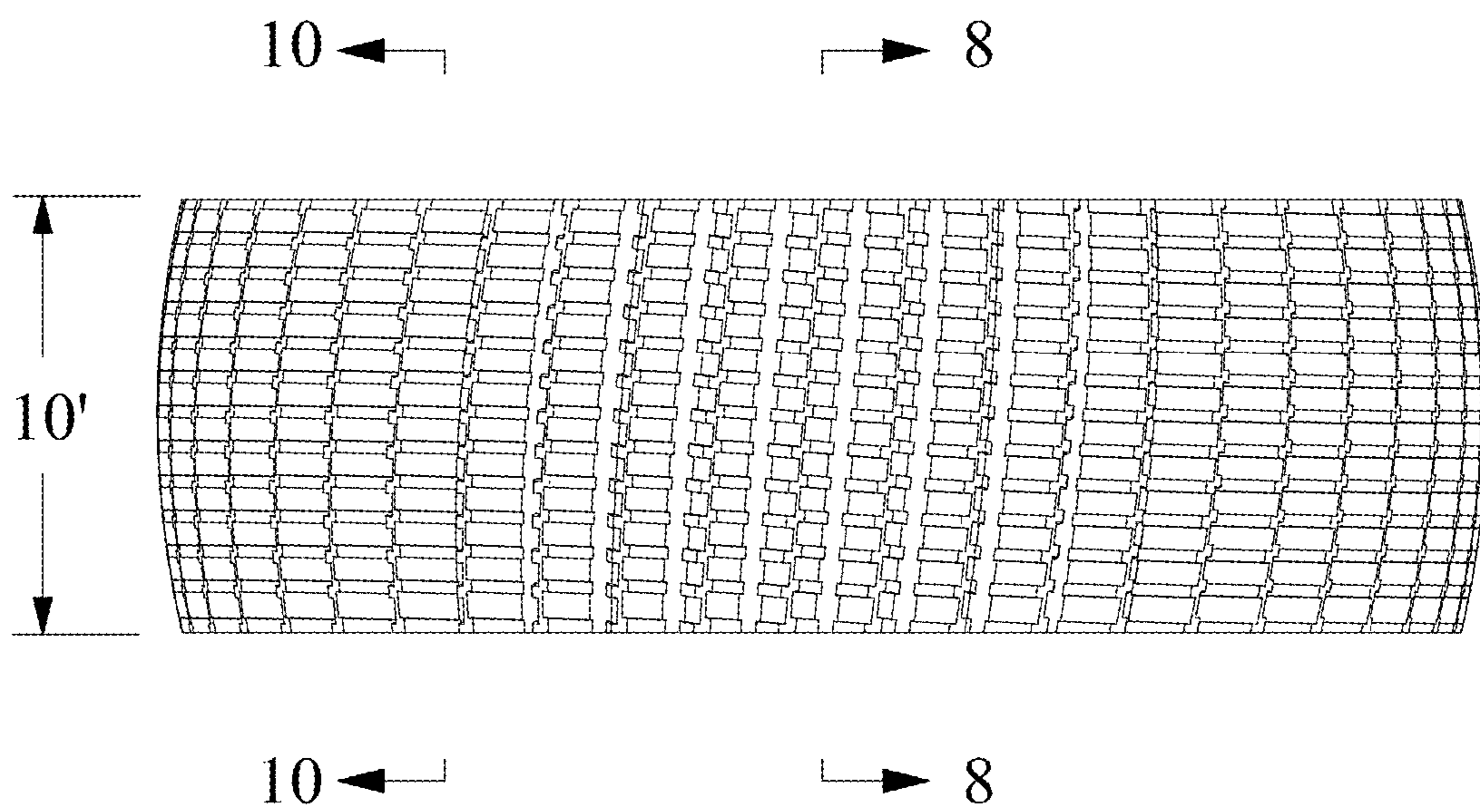


FIG. 3

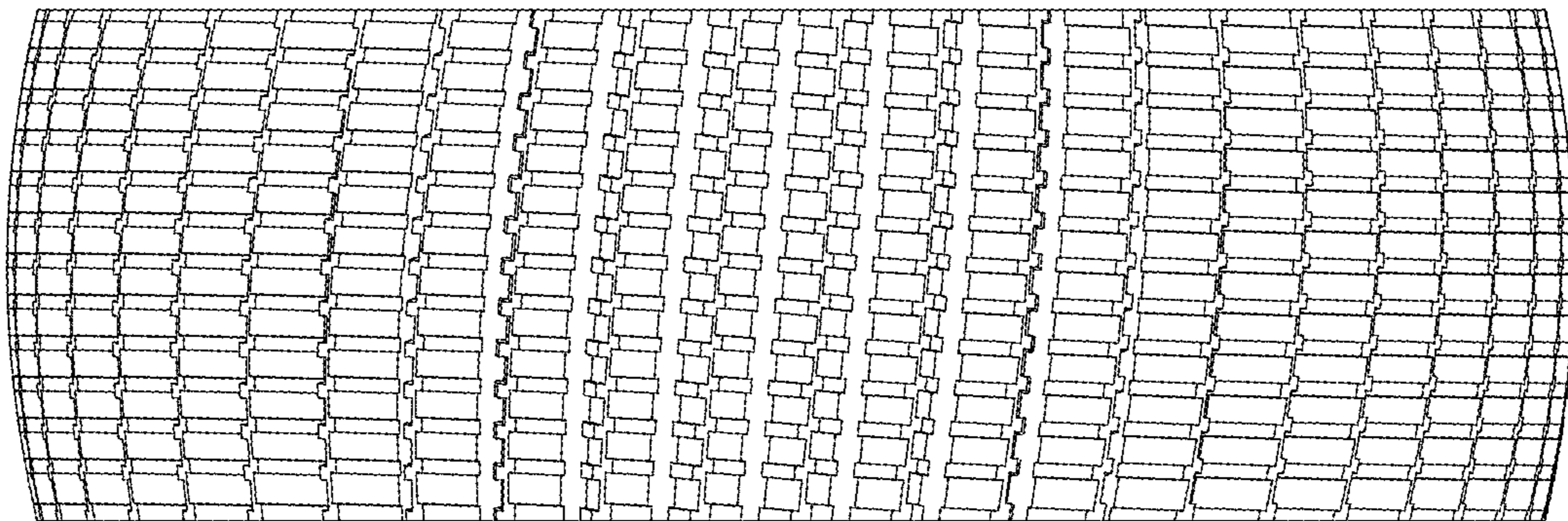


FIG. 4

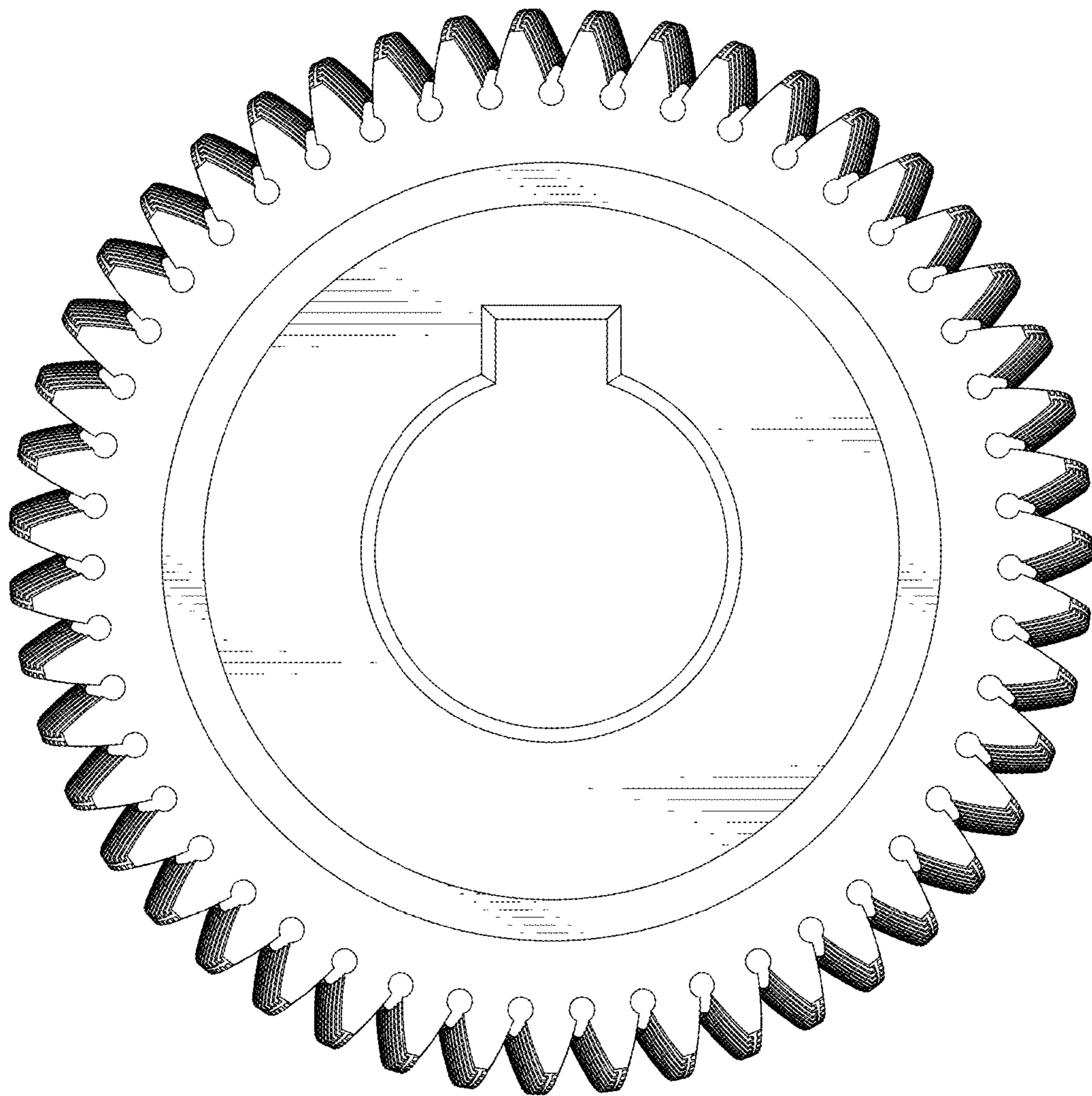


FIG. 5

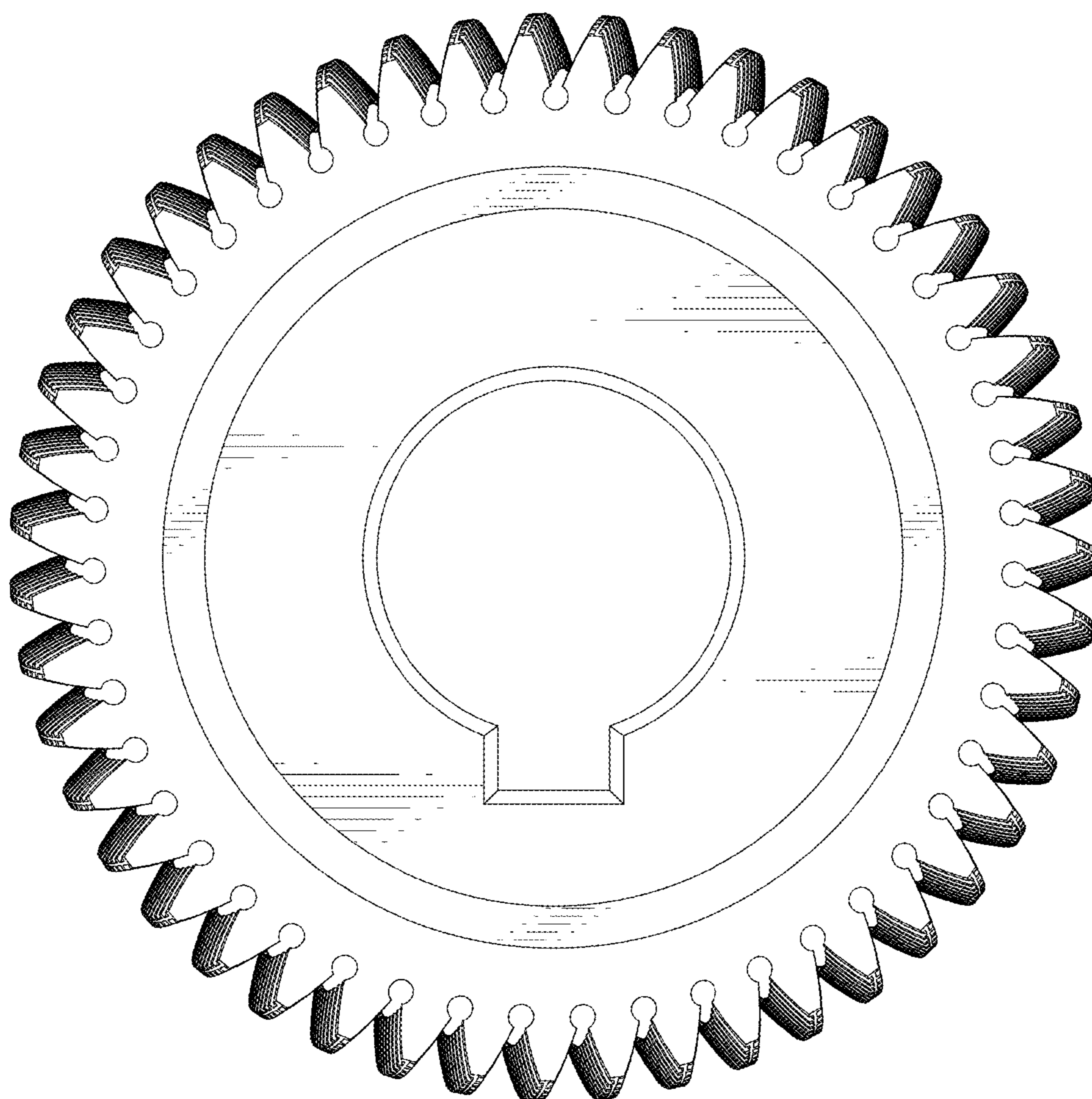


FIG. 6

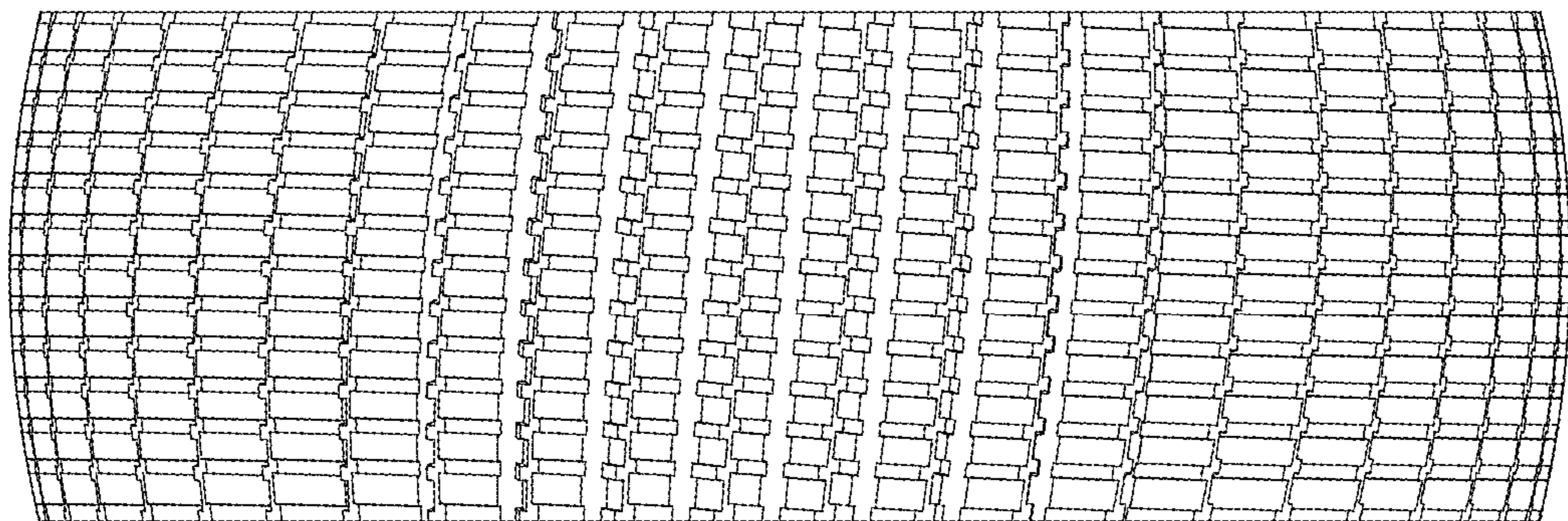


FIG. 7

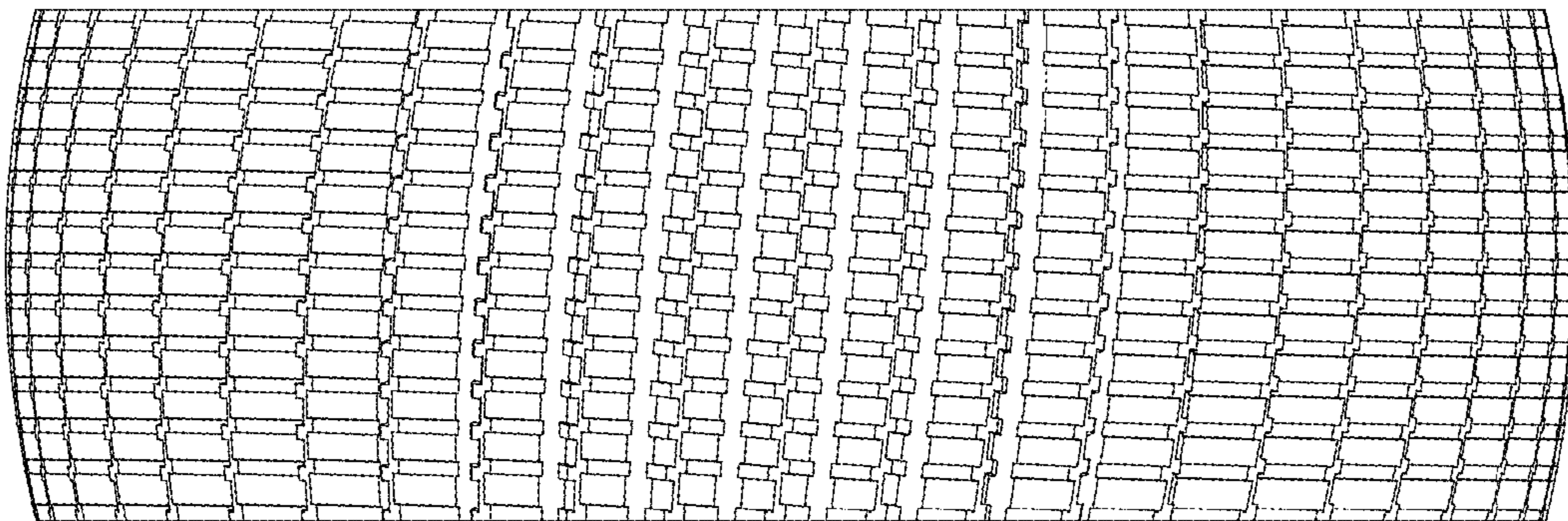




FIG. 8

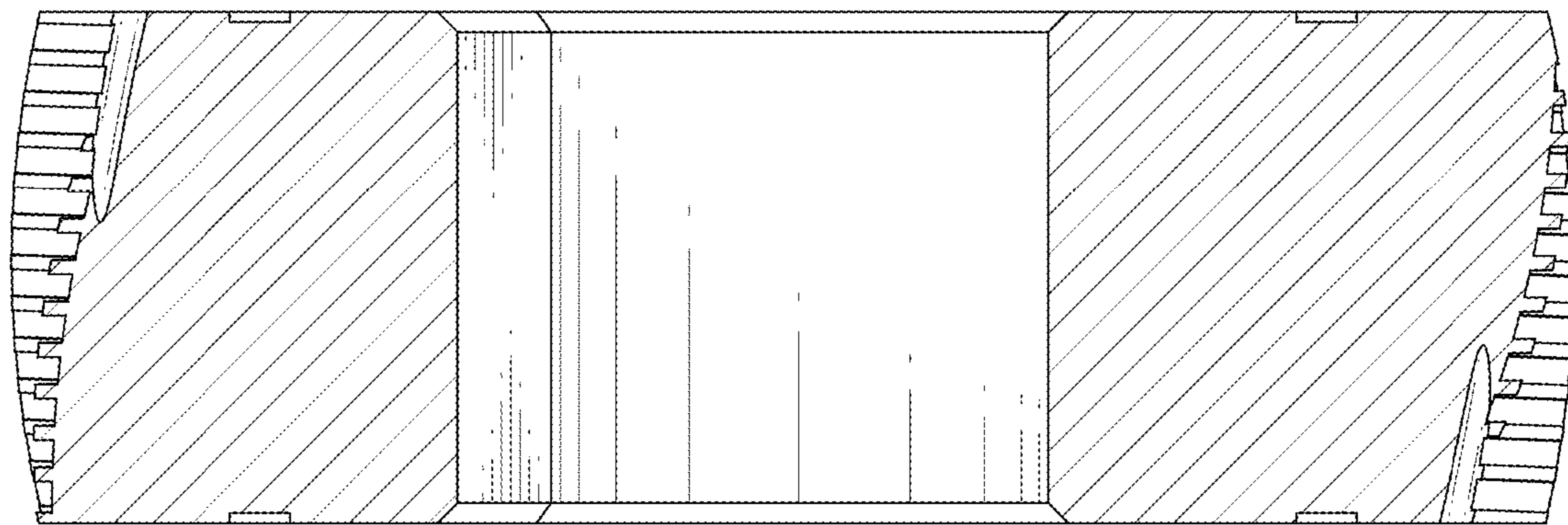


FIG. 9

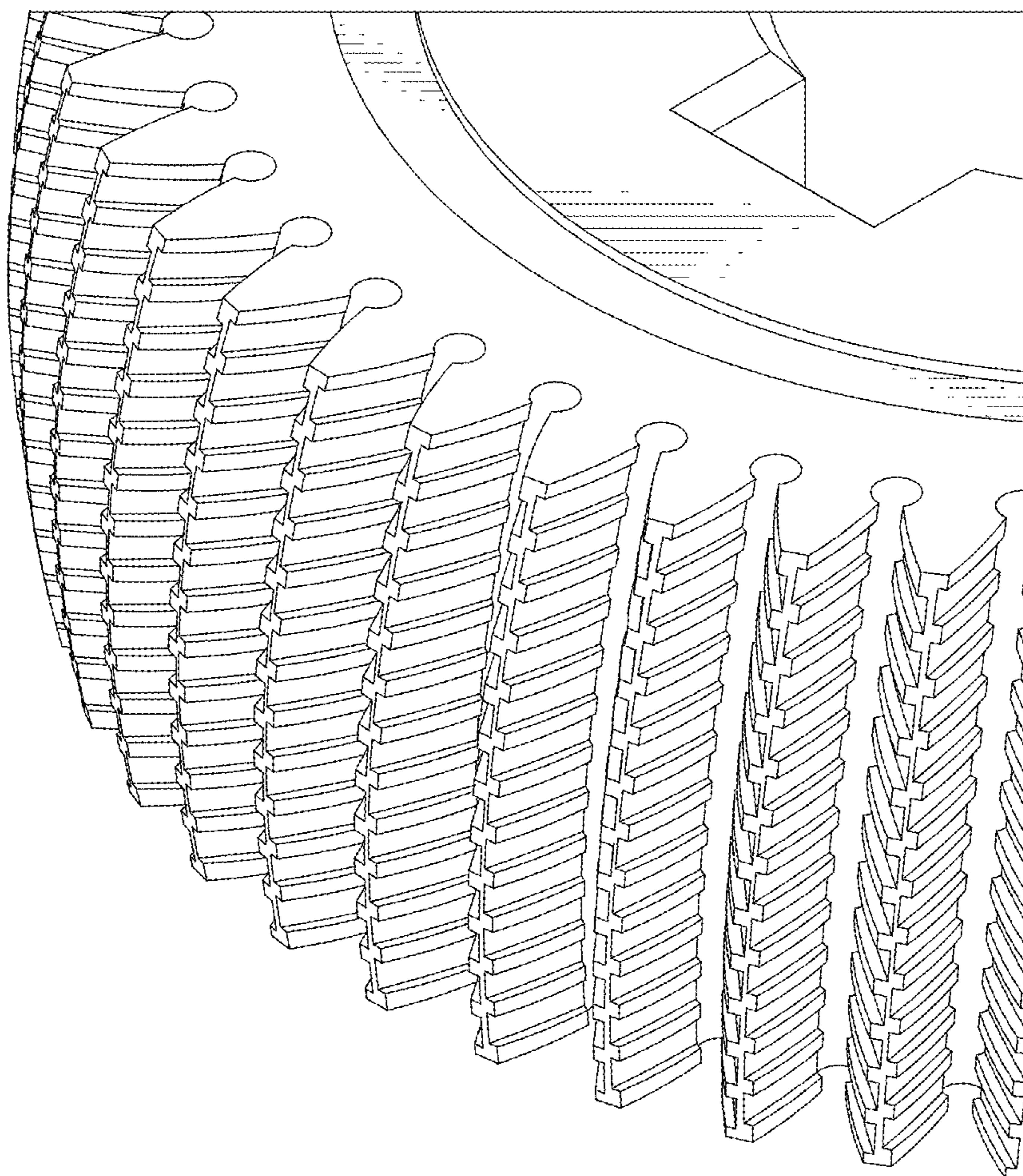


FIG. 10

