



US00D774574S

(12) **United States Design Patent**
Nakamura et al.

(10) **Patent No.:** **US D774,574 S**

(45) **Date of Patent:** **** Dec. 20, 2016**

(54) **GEAR CUTTING TOOL**

(71) Applicant: **mitsubishi heavy industries
machine tool co., ltd.,**
Ritto-shi, Shiga (JP)

(72) Inventors: **Yozo Nakamura**, Tokyo (JP); **Tetuji
Monden**, Tokyo (JP)

(73) Assignee: **mitsubishi heavy industries
machine tool co., ltd.,** Shiga
(JP)

(**) Term: **15 Years**

(21) Appl. No.: **29/540,517**

(22) Filed: **Sep. 25, 2015**

(30) **Foreign Application Priority Data**

Apr. 27, 2015 (JP) 2015-009463

(51) **LOC (10) Cl.** **15-09**

(52) **U.S. Cl.**
USPC **D15/139**

(58) **Field of Classification Search**
USPC D15/131, 138, 139, 140
See application file for complete search history.

(56) **References Cited**

U.S. PATENT DOCUMENTS

1,996,987 A * 4/1935 Wildhaber B23F 21/16
407/26
2,126,178 A * 8/1938 Drummond B23F 21/28
407/27

2,380,208 A * 7/1945 Ashton B23F 19/06
409/33
D525,995 S * 8/2006 Bjork D15/139
2013/0091970 A1 * 4/2013 O-oka F16H 55/08
74/458
2014/0140781 A1 * 5/2014 Sjo B23F 21/146
408/8

* cited by examiner

Primary Examiner — Patricia Palasik

(74) *Attorney, Agent, or Firm* — Birch, Stewart, Kolasch
& Birch, LLP

(57) **CLAIM**

The ornamental design for a gear cutting tool, as shown and described.

DESCRIPTION

FIG. 1 is a perspective view of a gear cutting tool.
FIG. 2 is a front elevation view thereof.
FIG. 3 is a rear elevation view thereof.
FIG. 4 is a top plan view thereof.
FIG. 5 is a bottom plan view thereof.
FIG. 6 is a left side elevation view thereof.
FIG. 7 is a right side elevation view thereof.
FIG. 8 is an enlarged cross-sectional view taken along the line 8-8 in FIG. 2.
FIG. 9 is an enlarged view of the portion 9-9' in FIG. 1; and, FIG. 10 is an enlarged view of the portion 10-10' in FIG. 2. The broken lines shown in the drawings illustrate portions of the gear cutting tool that form no part of the claimed design. The dot-dash lines show an unclaimed boundary which forms no part of the claimed design. The inside portions of the dot-dash lines form no part of the claimed design.

1 Claim, 10 Drawing Sheets

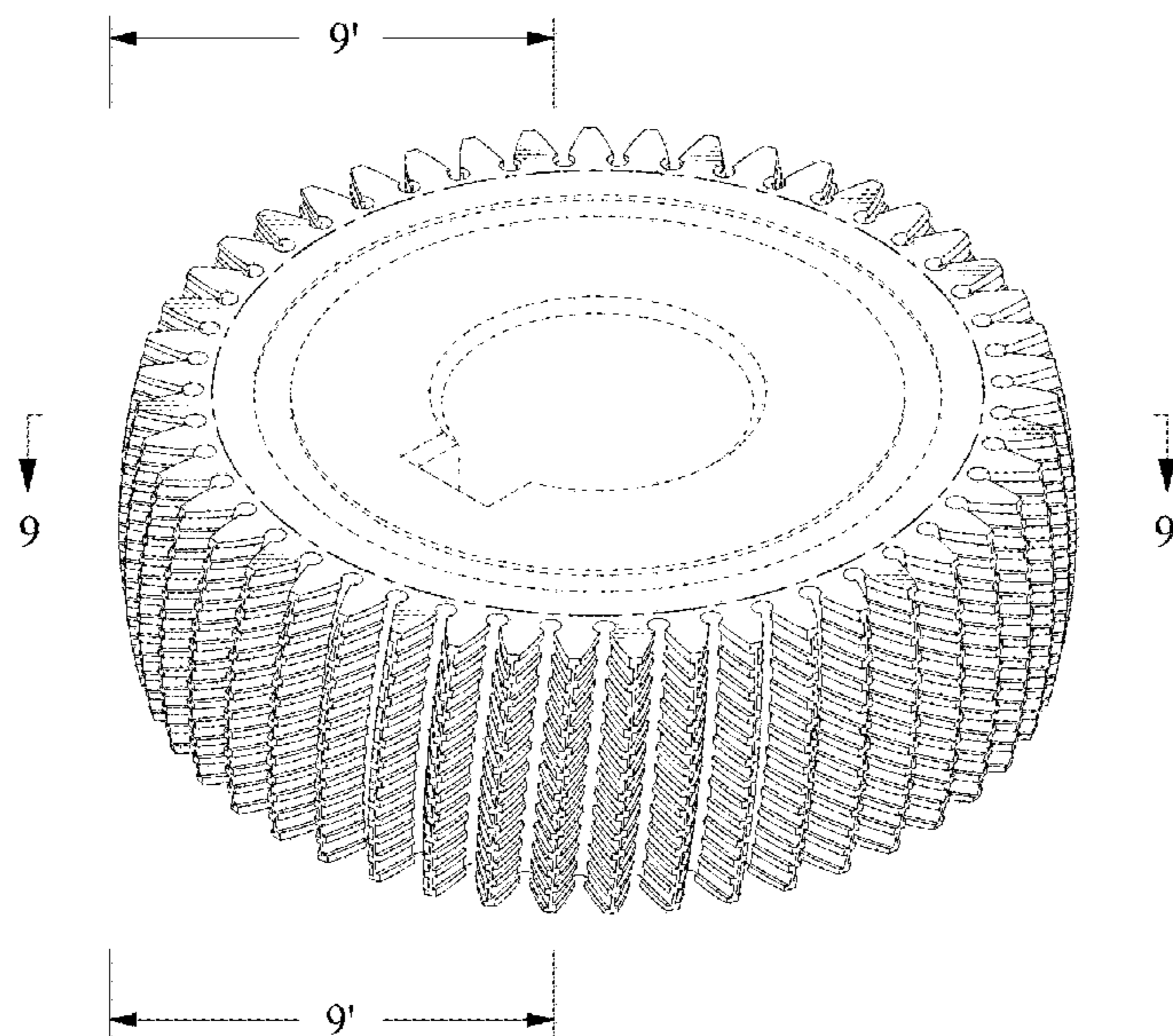


FIG. 1

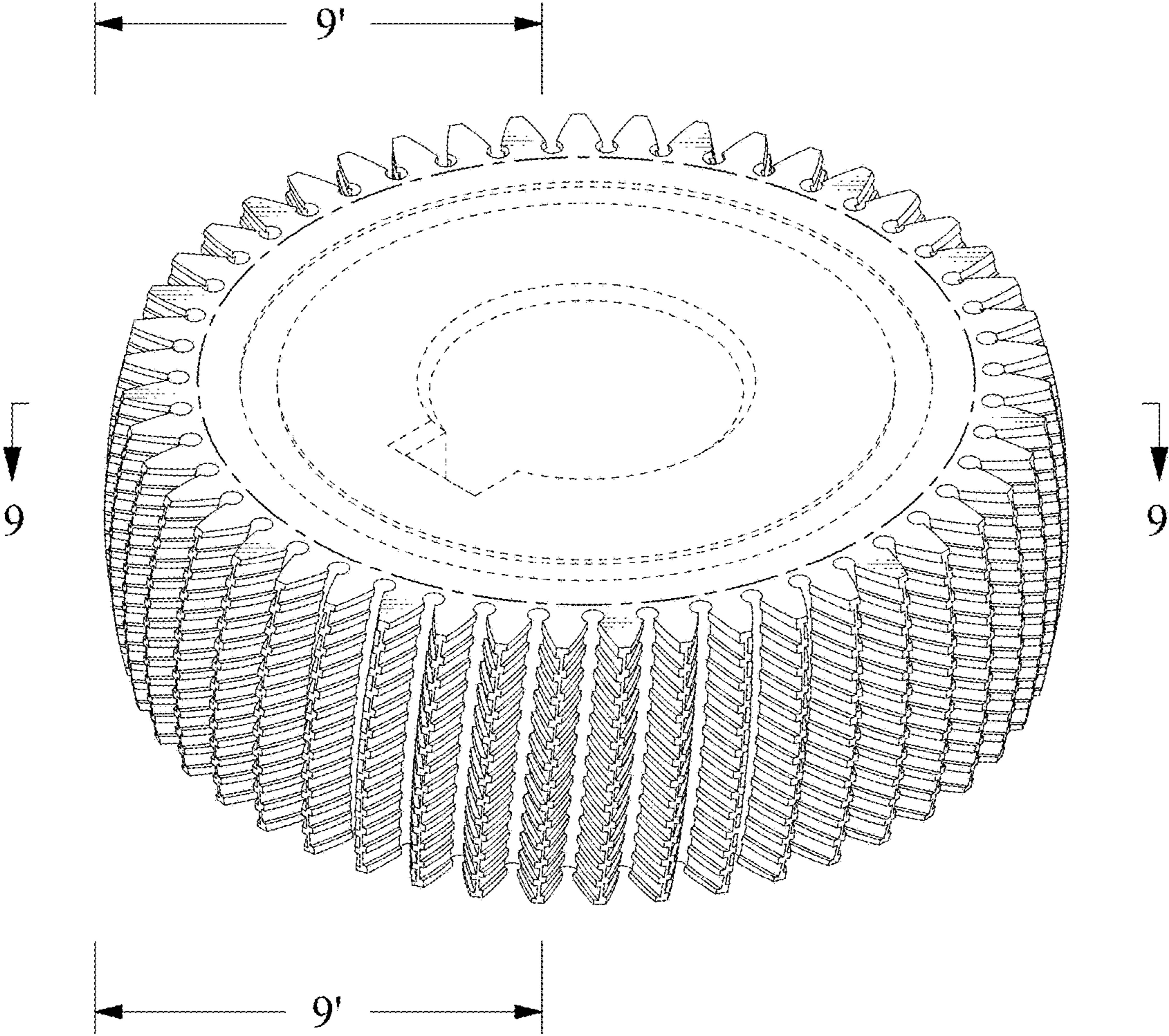


FIG. 2

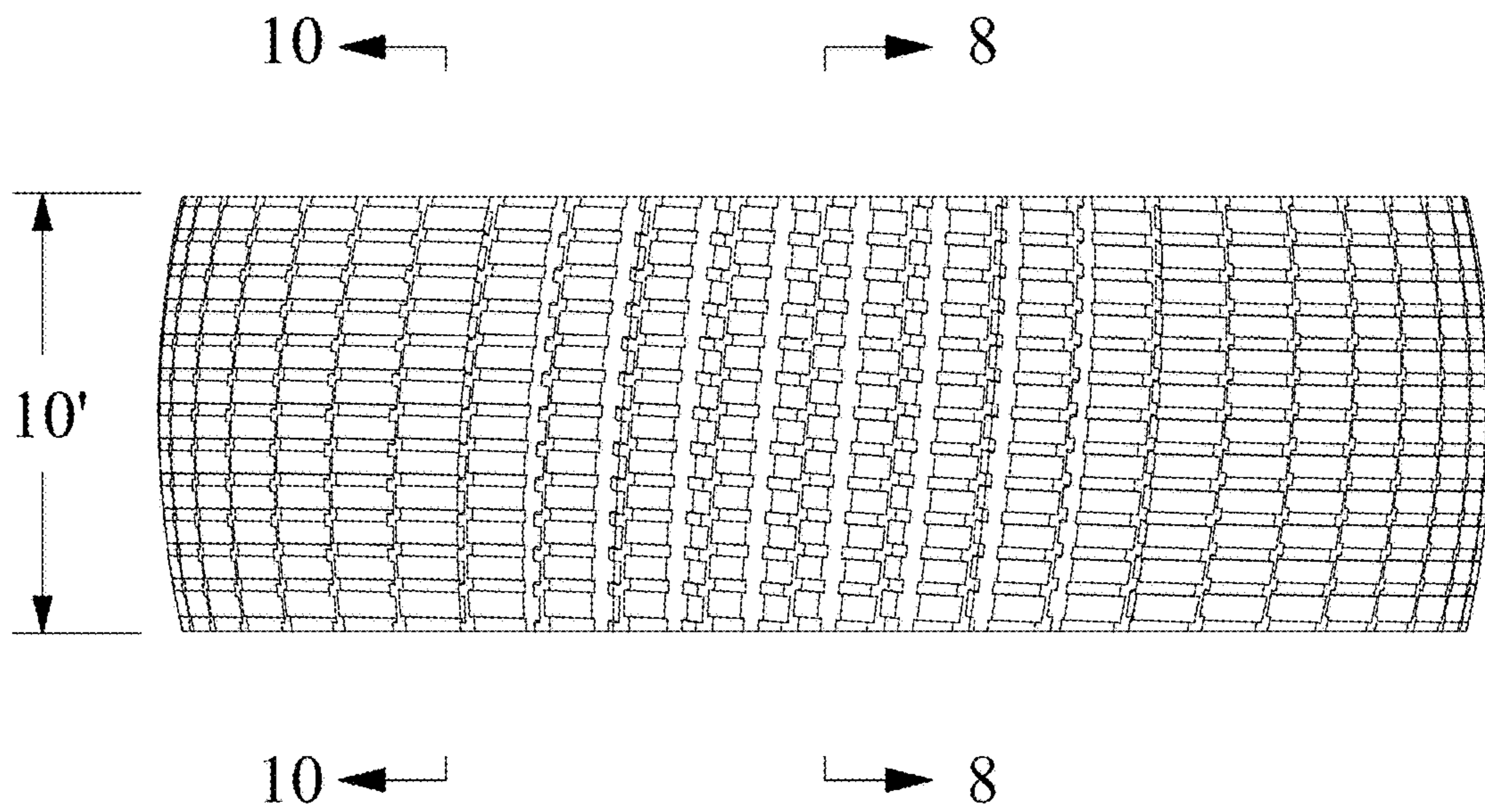


FIG. 3

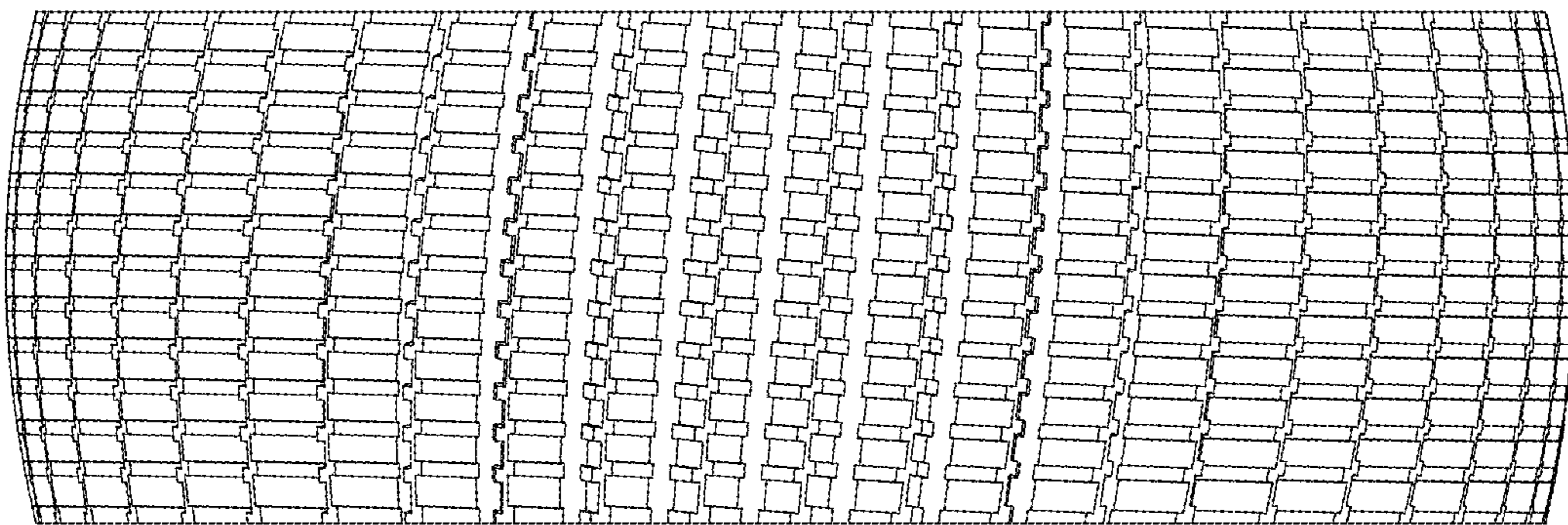


FIG. 4

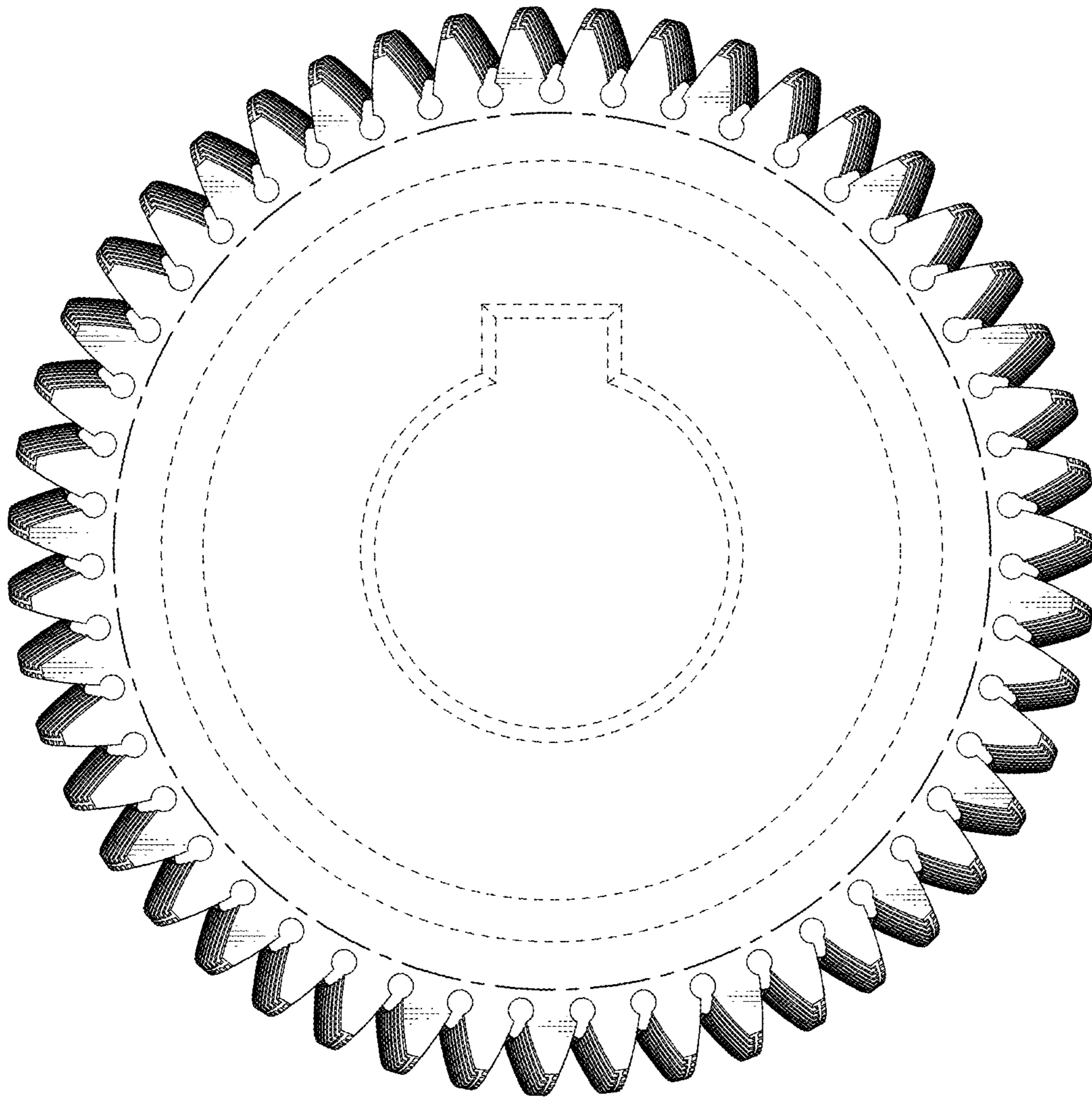


FIG. 5

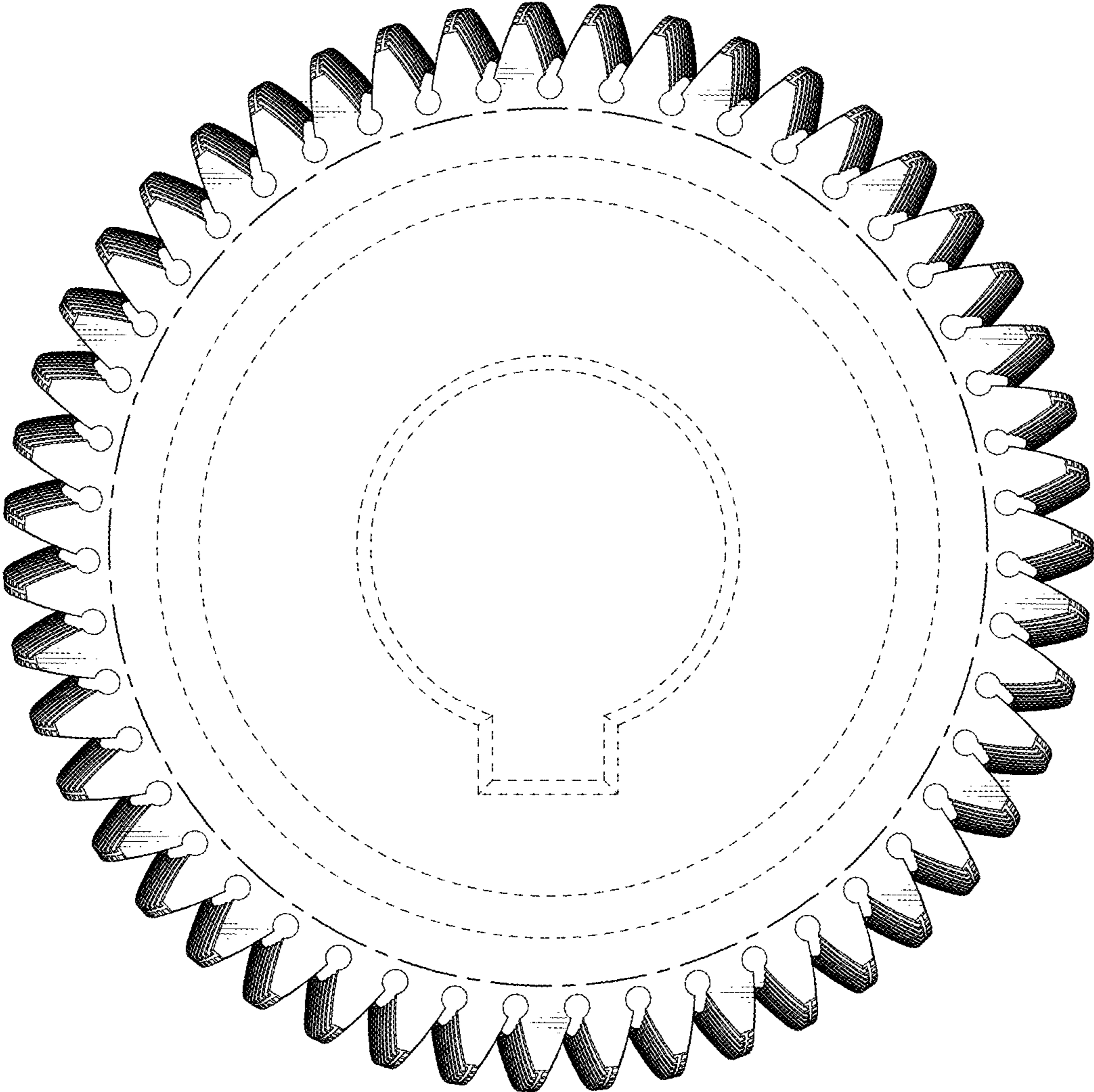


FIG. 6

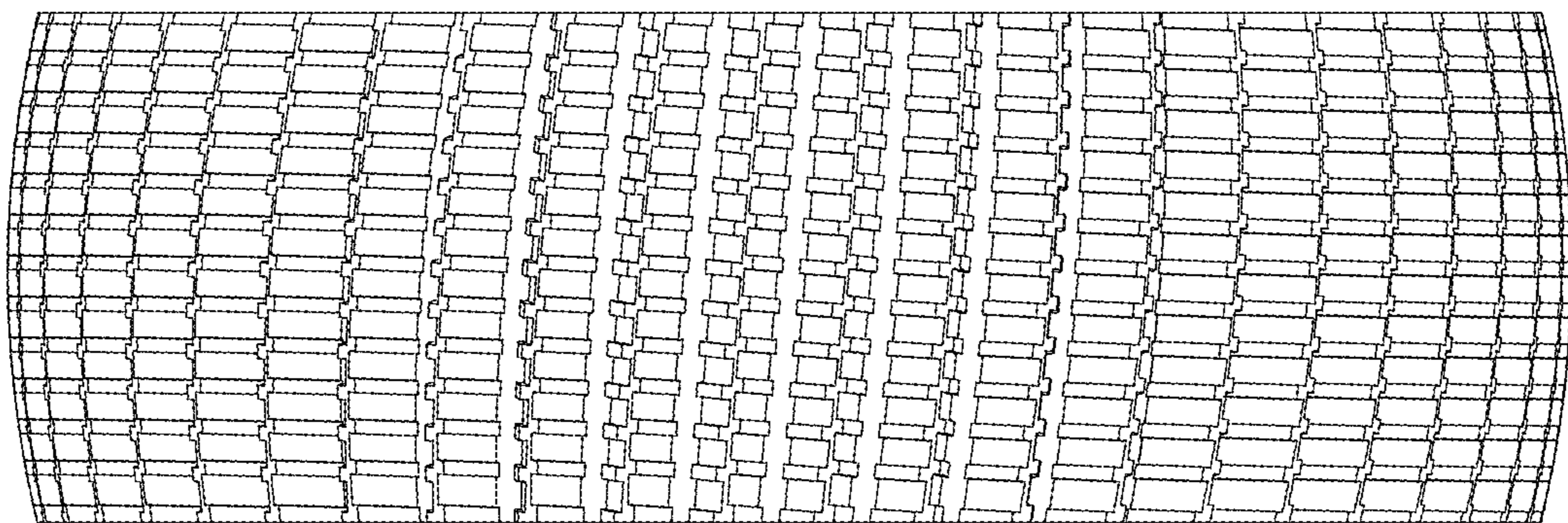


FIG. 7

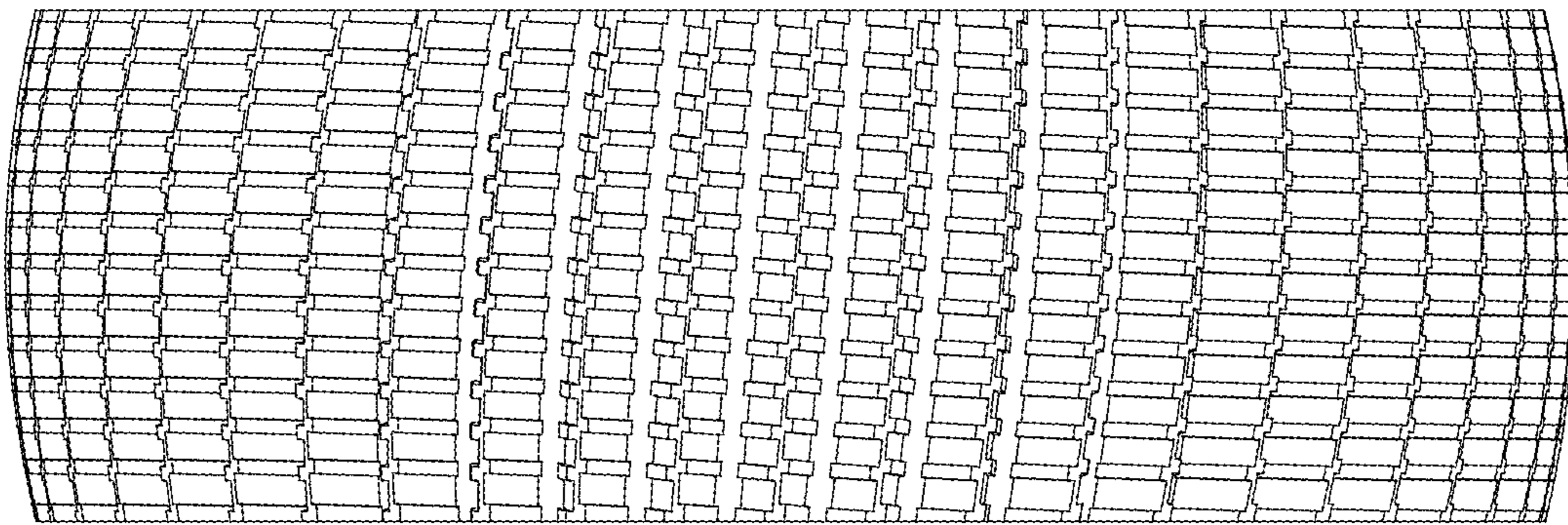


FIG. 8

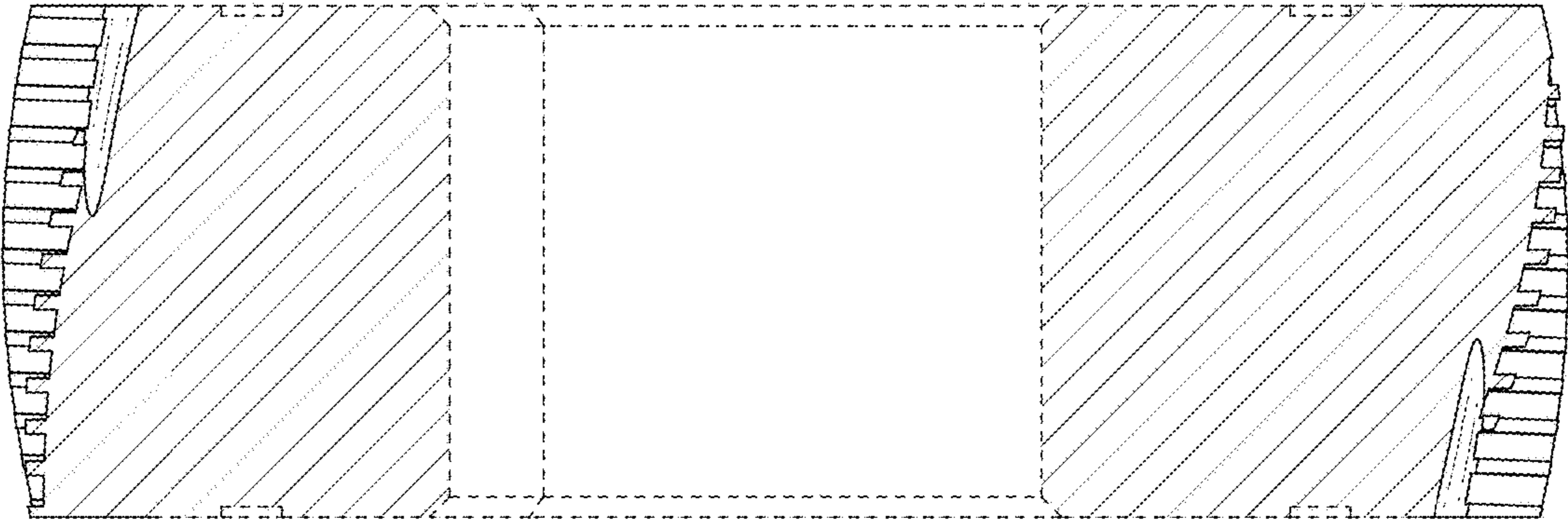


FIG. 9

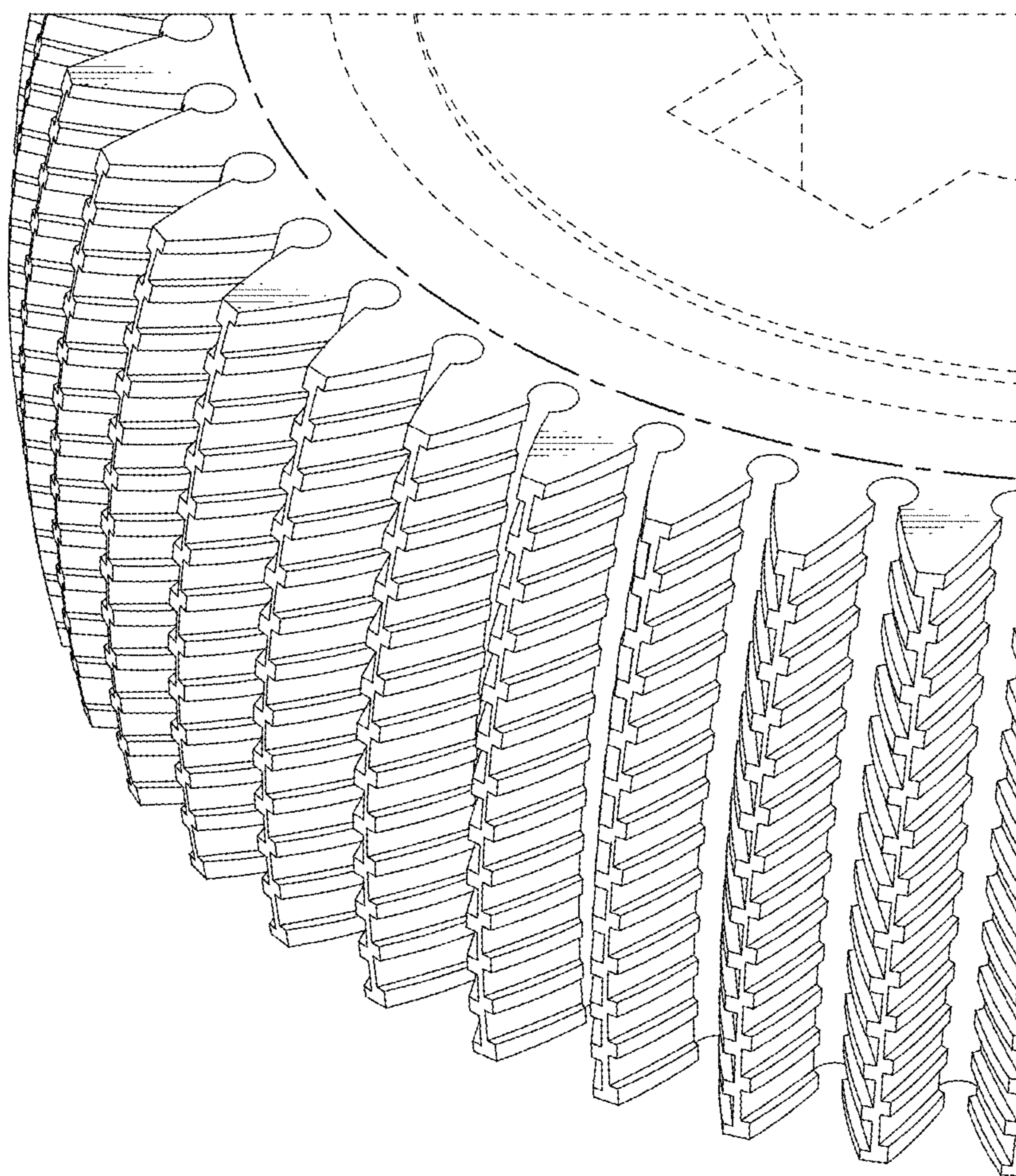


FIG. 10

