



US00D774572S

(12) **United States Design Patent** (10) **Patent No.:** **US D774,572 S**  
**Guzman et al.** (45) **Date of Patent:** **\*\* Dec. 20, 2016**

- (54) **HOUSING FOR LOG SPLITTER**
- (71) Applicant: **Blount, Inc.**, Portland, OR (US)
- (72) Inventors: **Emanuel Guzman**, Golden, CO (US);  
**Glennbruce Campbell**, Memphis, TN (US)
- (73) Assignee: **BLOUNT, INC.**, Portland, OR (US)
- (\*\*) Term: **15 Years**
- (21) Appl. No.: **29/532,909**
- (22) Filed: **Jul. 10, 2015**
- (51) **LOC (10) Cl.** ..... **15-09**
- (52) **U.S. Cl.**  
USPC ..... **D15/138**
- (58) **Field of Classification Search**  
USPC ..... D15/138, 127, 128; D8/358  
CPC ..... B28D 1/045; F16P 1/02; Y10T 74/2191;  
B27L 7/00  
See application file for complete search history.

- D439,554 S \* 3/2001 Jolley ..... D12/174
- D451,972 S \* 12/2001 Easley ..... D21/694
- D468,189 S \* 1/2003 Kovacik ..... D8/358
- D585,460 S \* 1/2009 Plunk ..... D15/9
- D600,293 S \* 9/2009 Horita ..... D21/694
- D656,070 S \* 3/2012 Spalding ..... D12/131
- D666,475 S \* 9/2012 Gaiti ..... D8/358
- D671,959 S \* 12/2012 Burey ..... D15/5
- D693,850 S \* 11/2013 Haider ..... D15/7
- 2007/0210203 A1 \* 9/2007 Neveu ..... A47K 10/3818  
242/558
- 2007/0248294 A1 \* 10/2007 Jager ..... B65G 21/06  
384/295
- 2013/0000785 A1 \* 1/2013 Banjo ..... F16P 3/24  
144/366

\* cited by examiner

*Primary Examiner* — Rosemary K Tarcza  
*Assistant Examiner* — Nathaniel D Buckner  
(74) *Attorney, Agent, or Firm* — Schwabe Williamson & Wyatt, P.C.

(57) **CLAIM**

We claim the ornamental design for a housing for log splitter, as shown and described.

**DESCRIPTION**

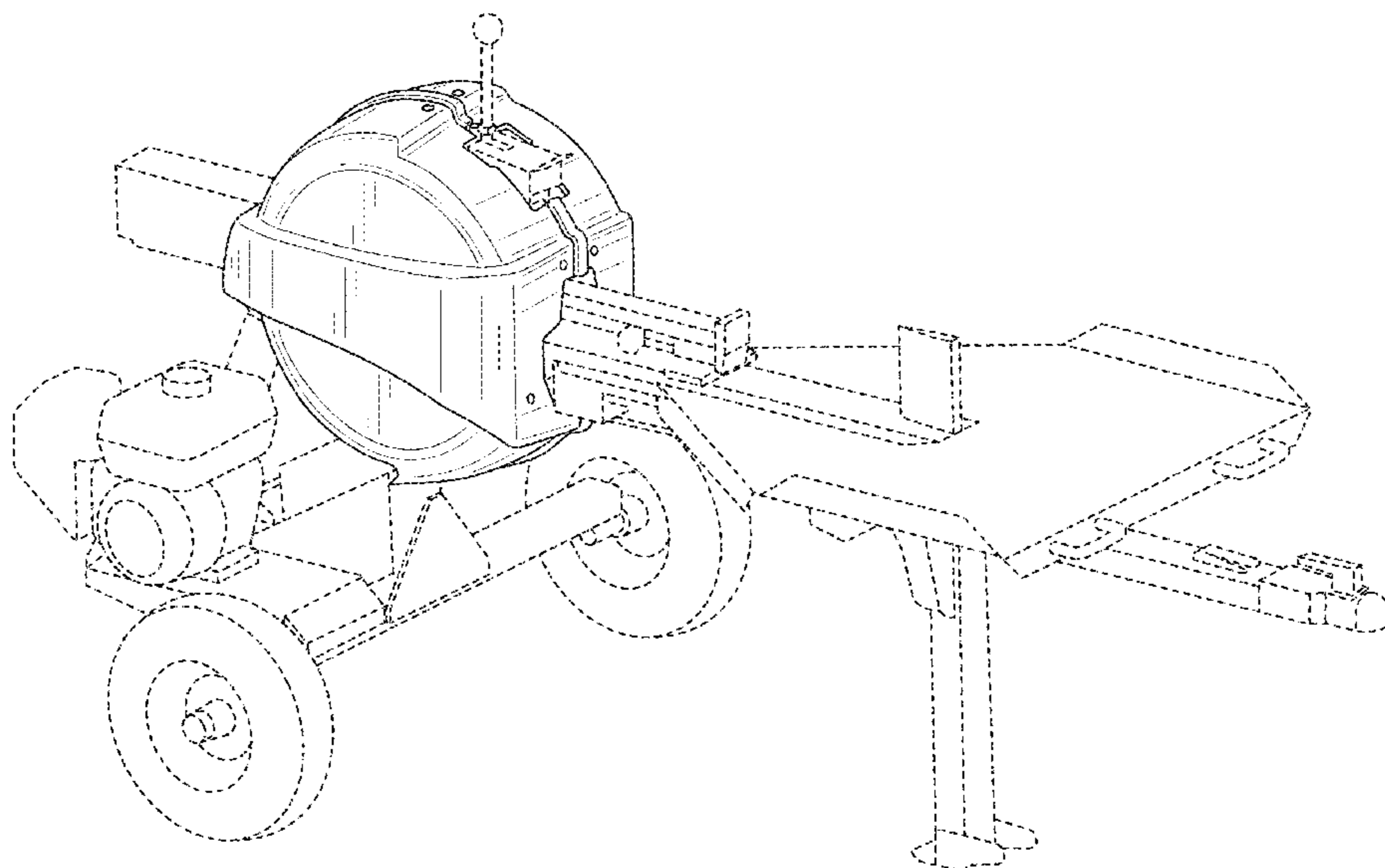
FIG. 1 is a perspective view of a housing for log splitter; FIG. 2 is a front view thereof; FIG. 3 is a back view thereof; FIG. 4 is a left side view thereof; FIG. 5 is a right side view thereof; FIG. 6 is a top view thereof; FIG. 7 is a bottom view thereof; and, FIG. 8 is a front perspective view of the housing for log splitter in a position of use on a log splitter. The dashed lines are included for illustrating environmental structure and form no part of the claimed design.

**1 Claim, 8 Drawing Sheets**

(56) **References Cited**

U.S. PATENT DOCUMENTS

- 1,048,328 A \* 12/1912 Maize ..... F16P 1/02  
74/606 R
- 1,075,808 A \* 10/1913 Bales ..... F16P 1/02  
74/609
- 1,174,072 A \* 3/1916 Hurteau ..... F16P 1/02  
74/609
- 1,386,026 A \* 8/1921 Pribil ..... B61C 9/00  
74/609
- 1,409,302 A \* 3/1922 Kogler ..... B61C 17/00  
74/609
- 4,905,424 A \* 3/1990 Nagashima ..... B24B 55/052  
451/451
- D434,048 S \* 11/2000 Orschell ..... D15/9



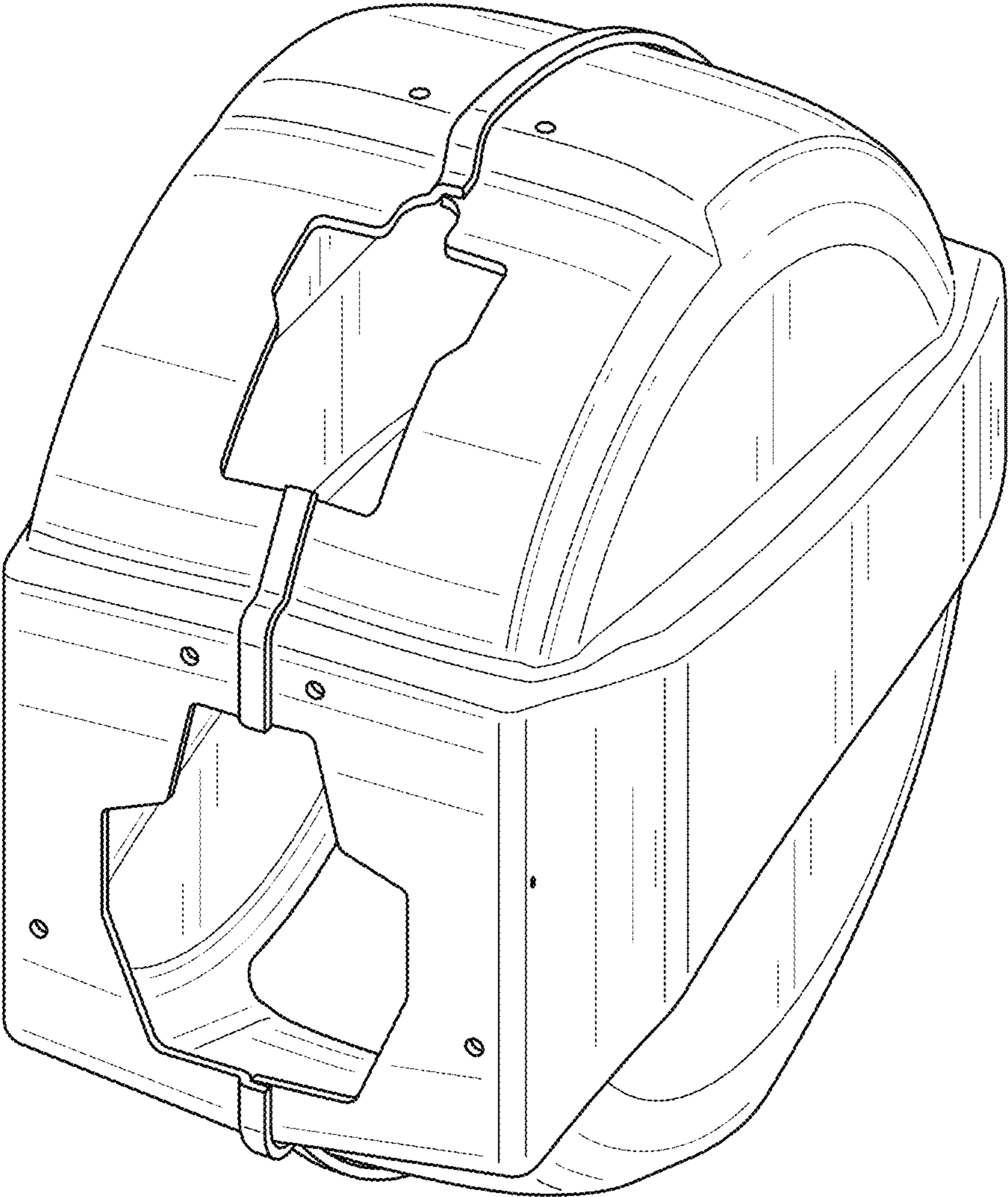


FIG. 1

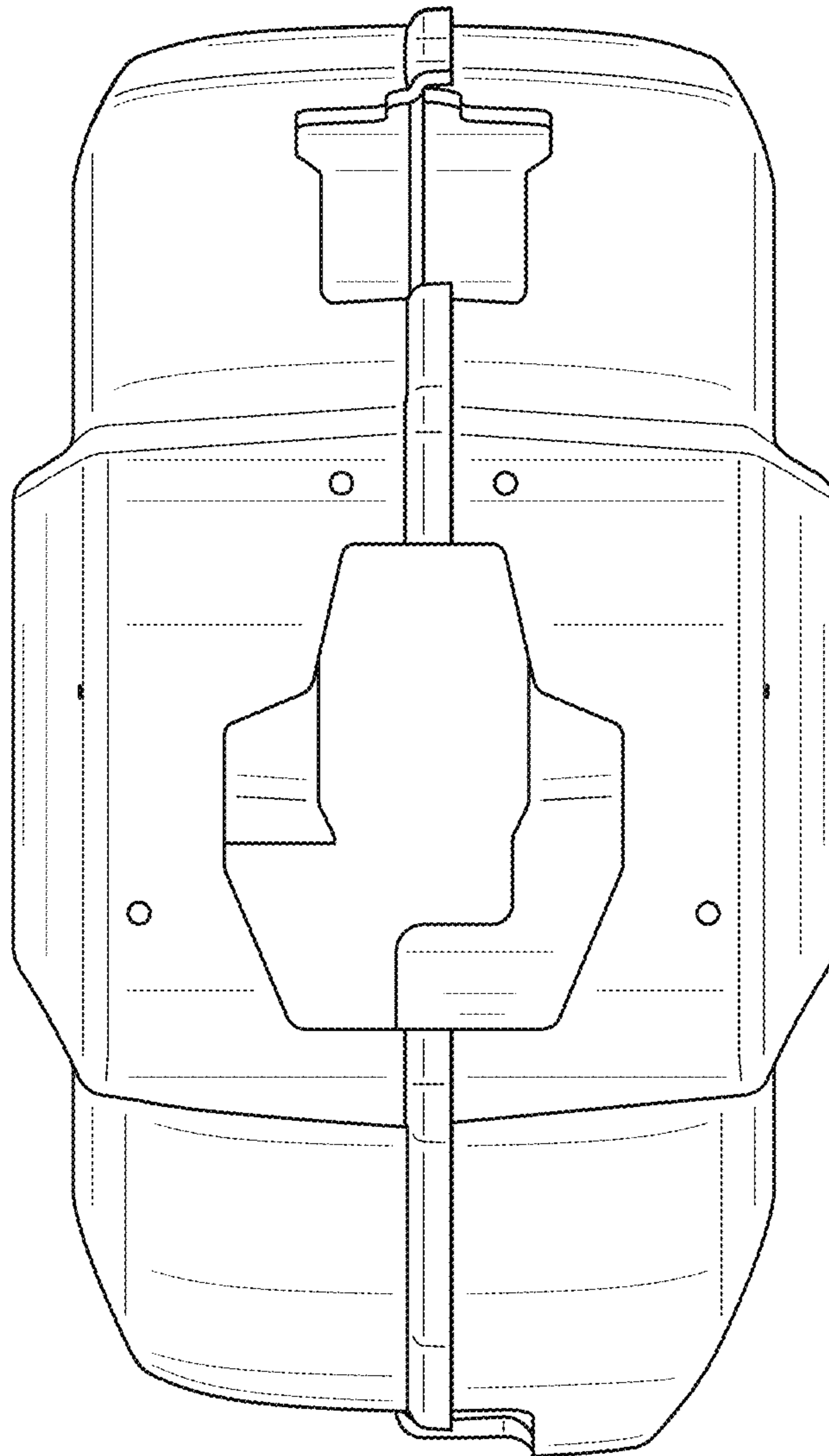


FIG. 2

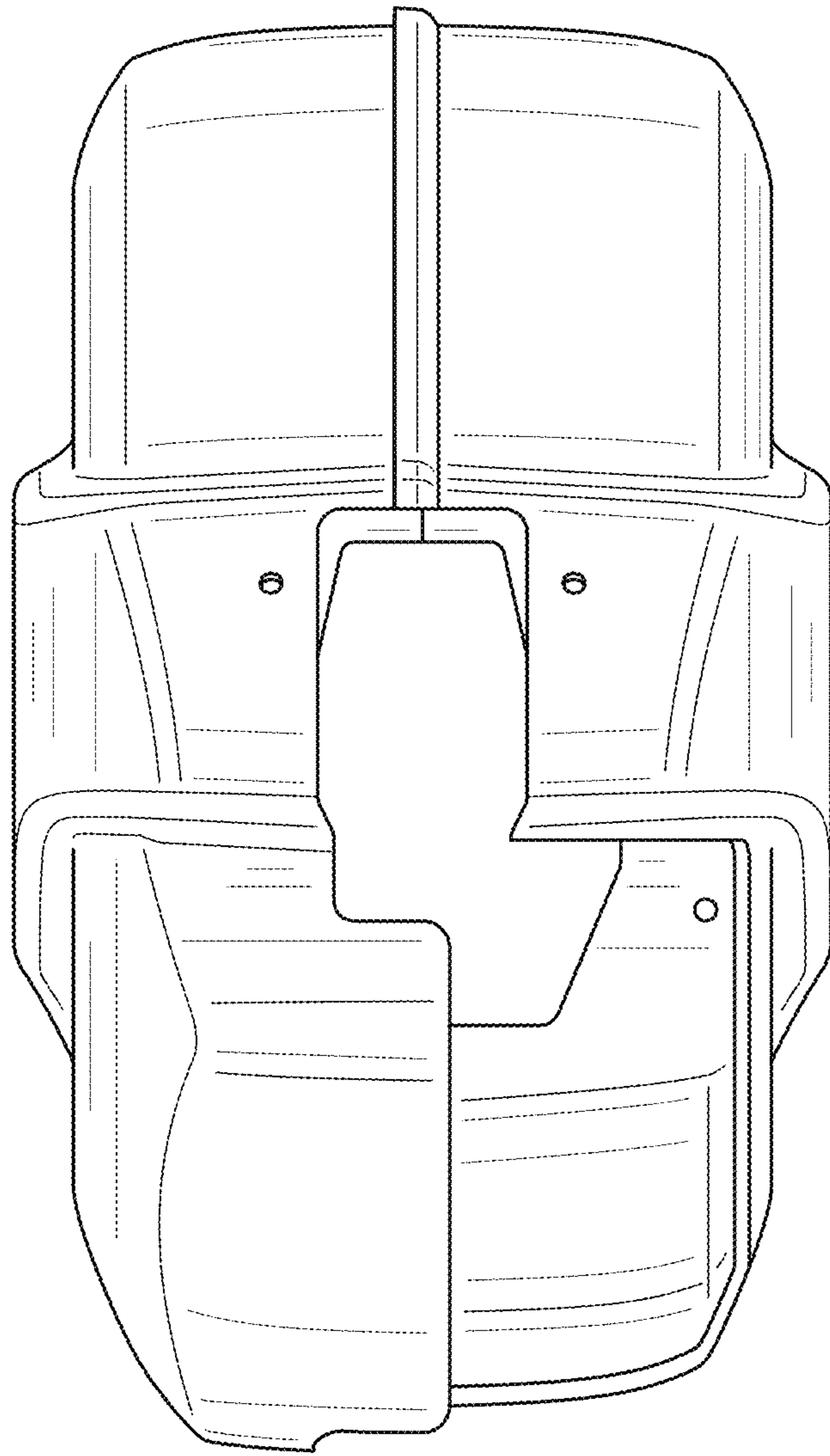


FIG. 3

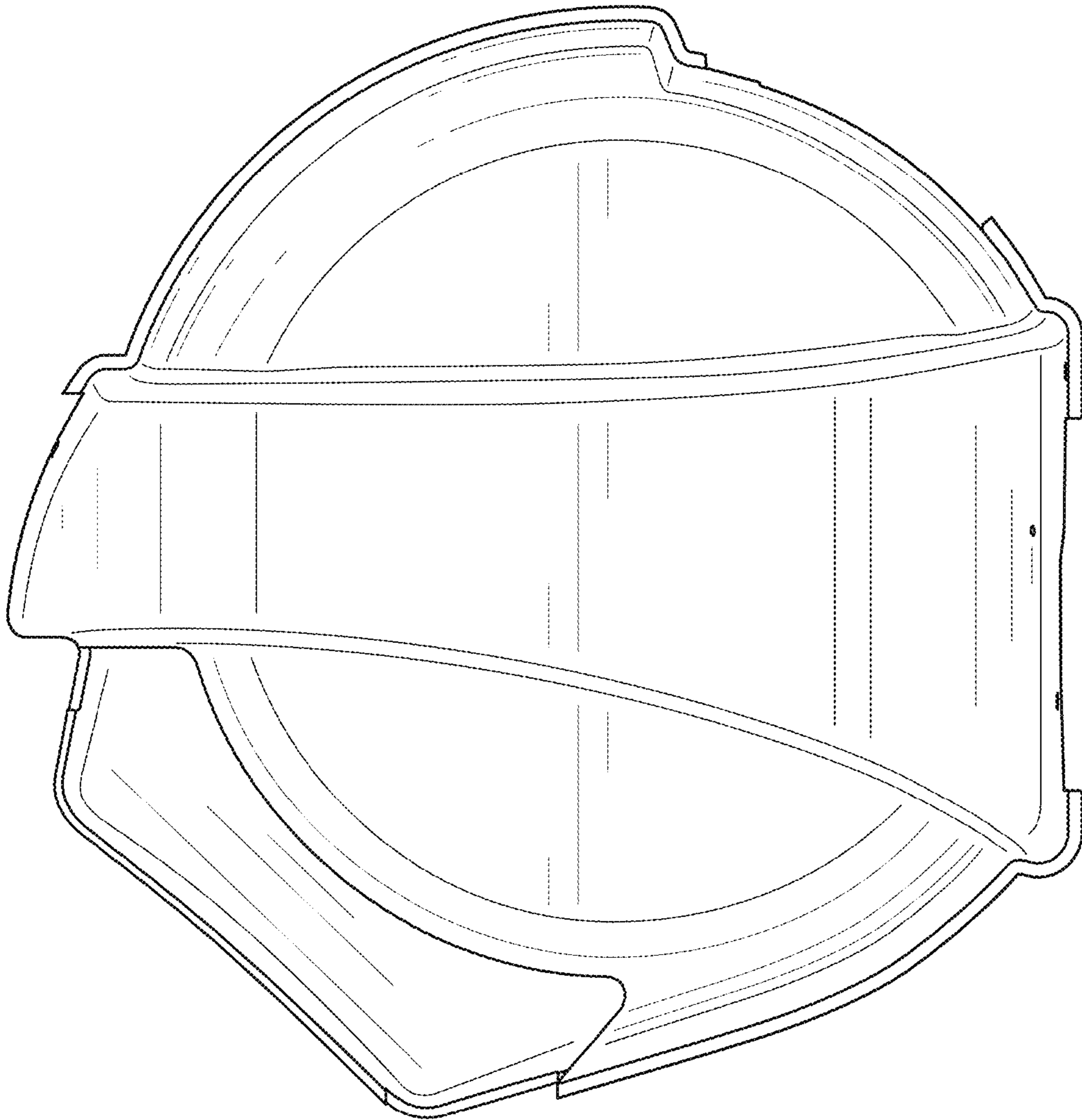


FIG. 4

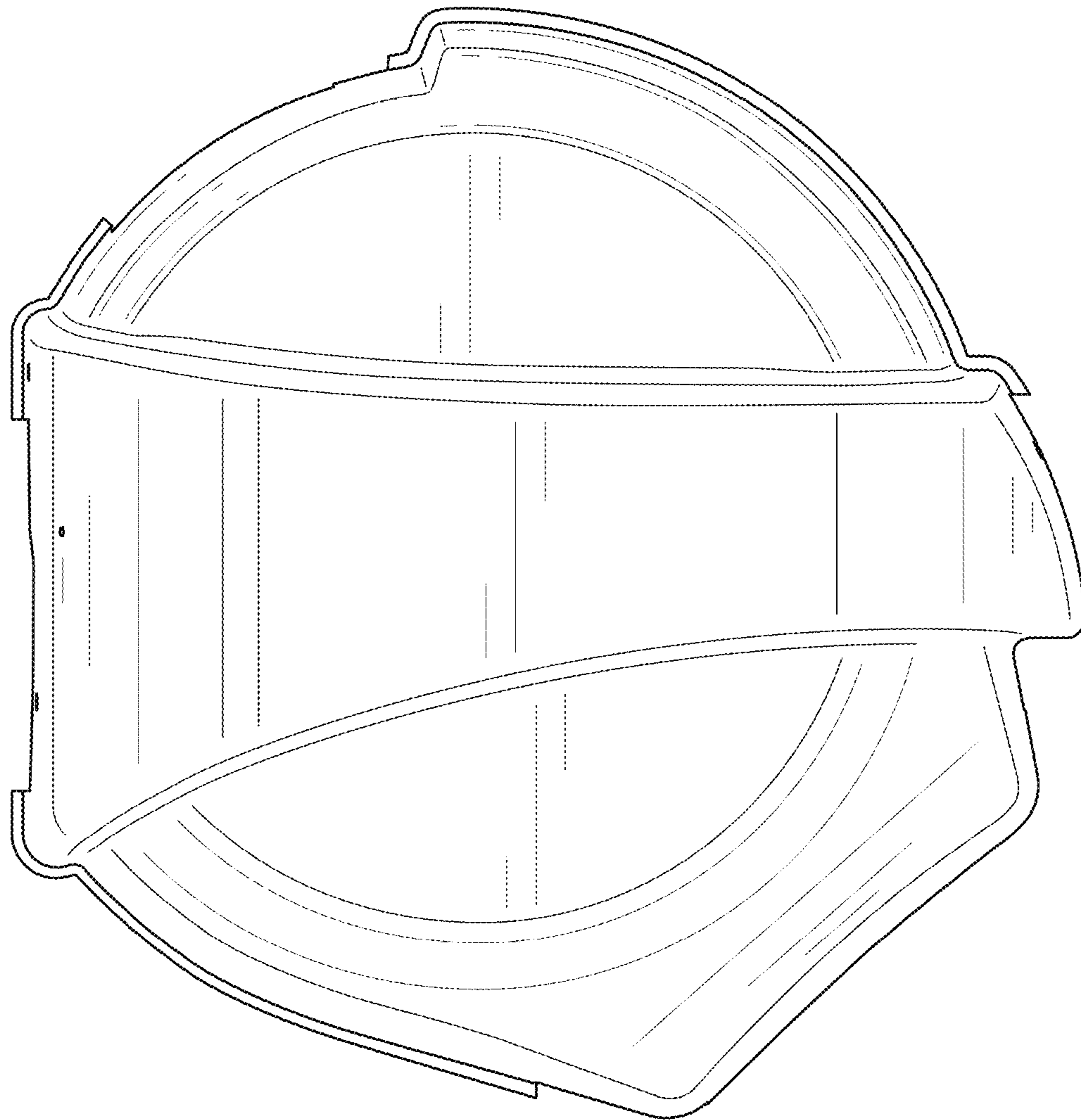


FIG. 5

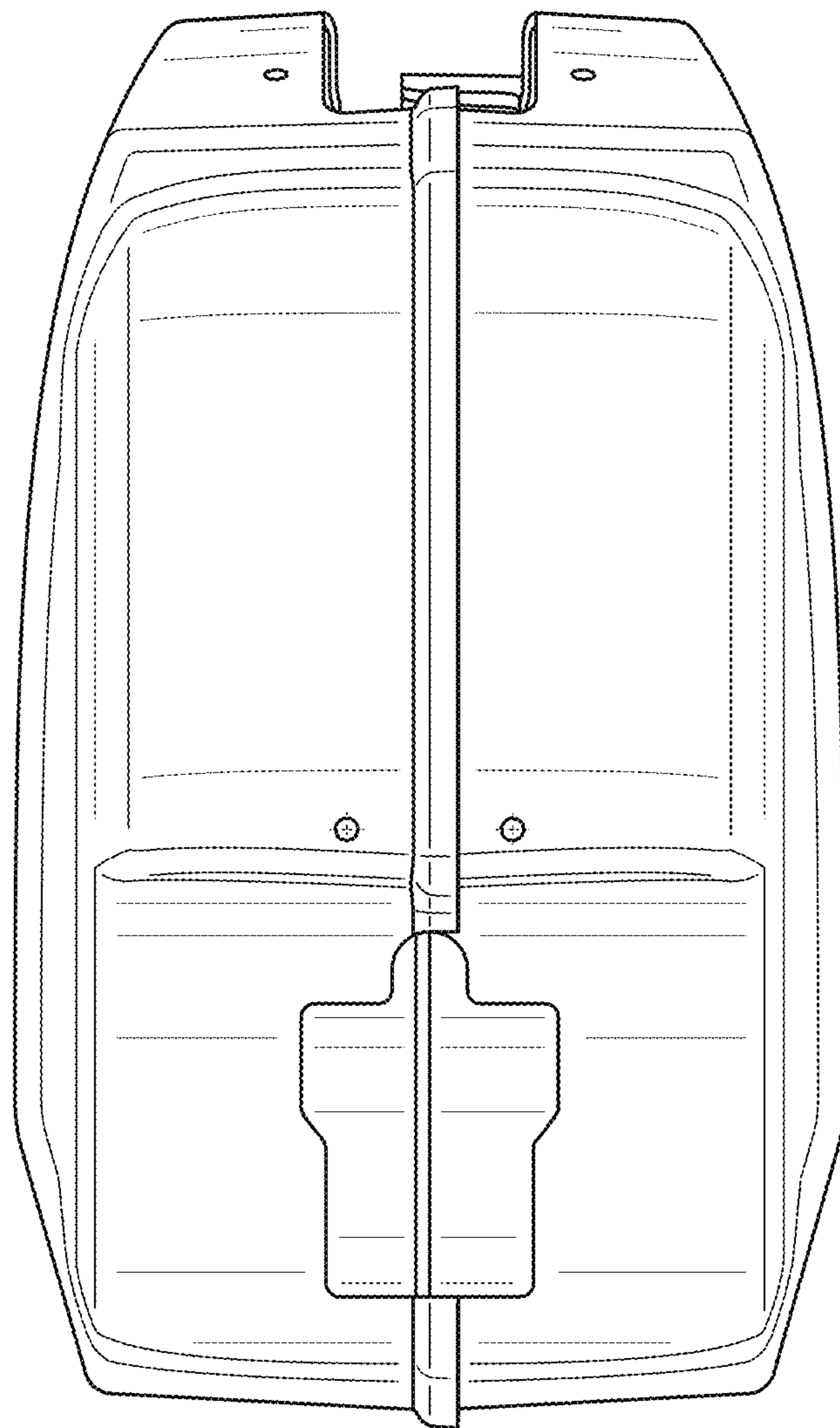


FIG. 6

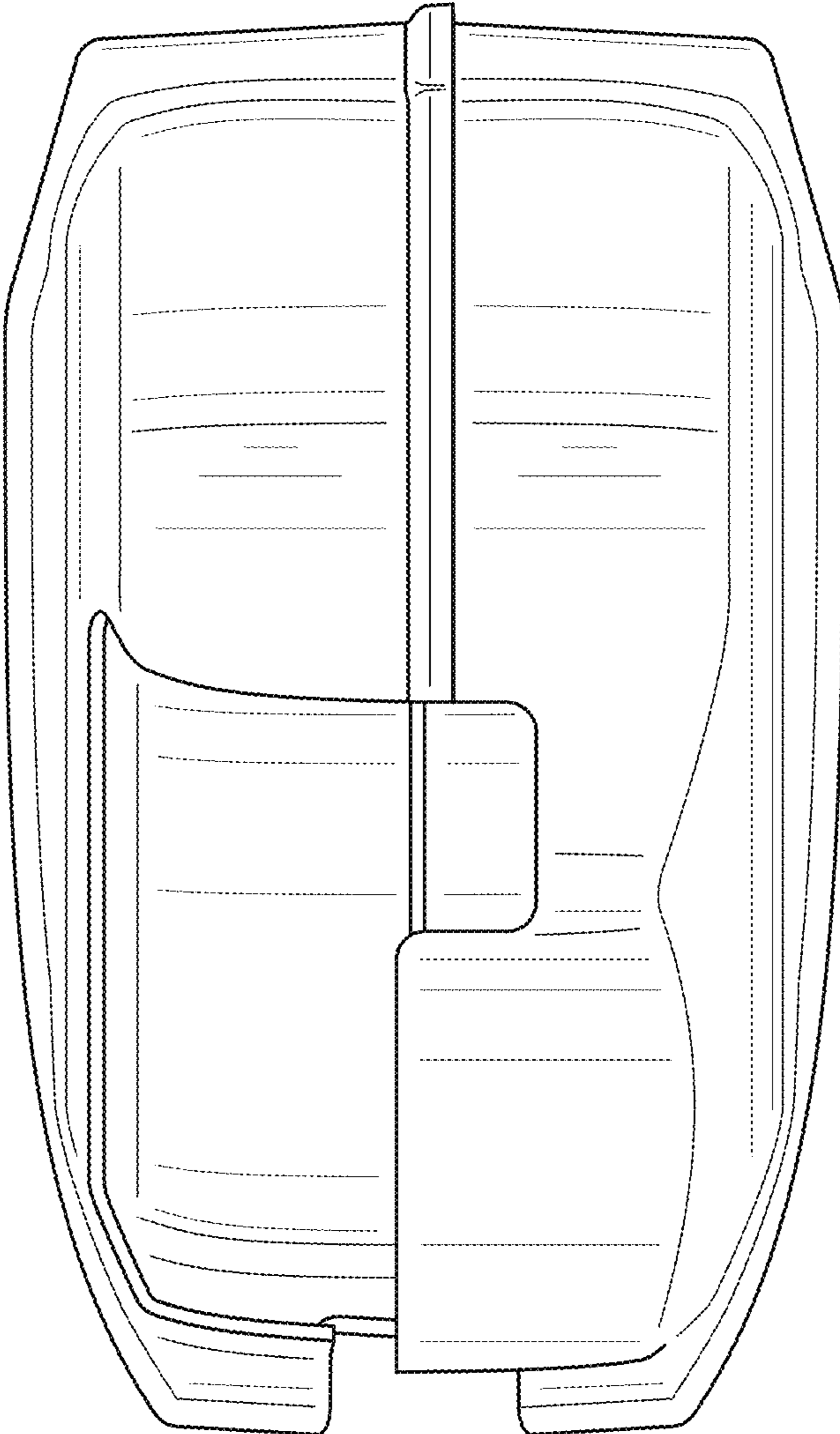


FIG. 7



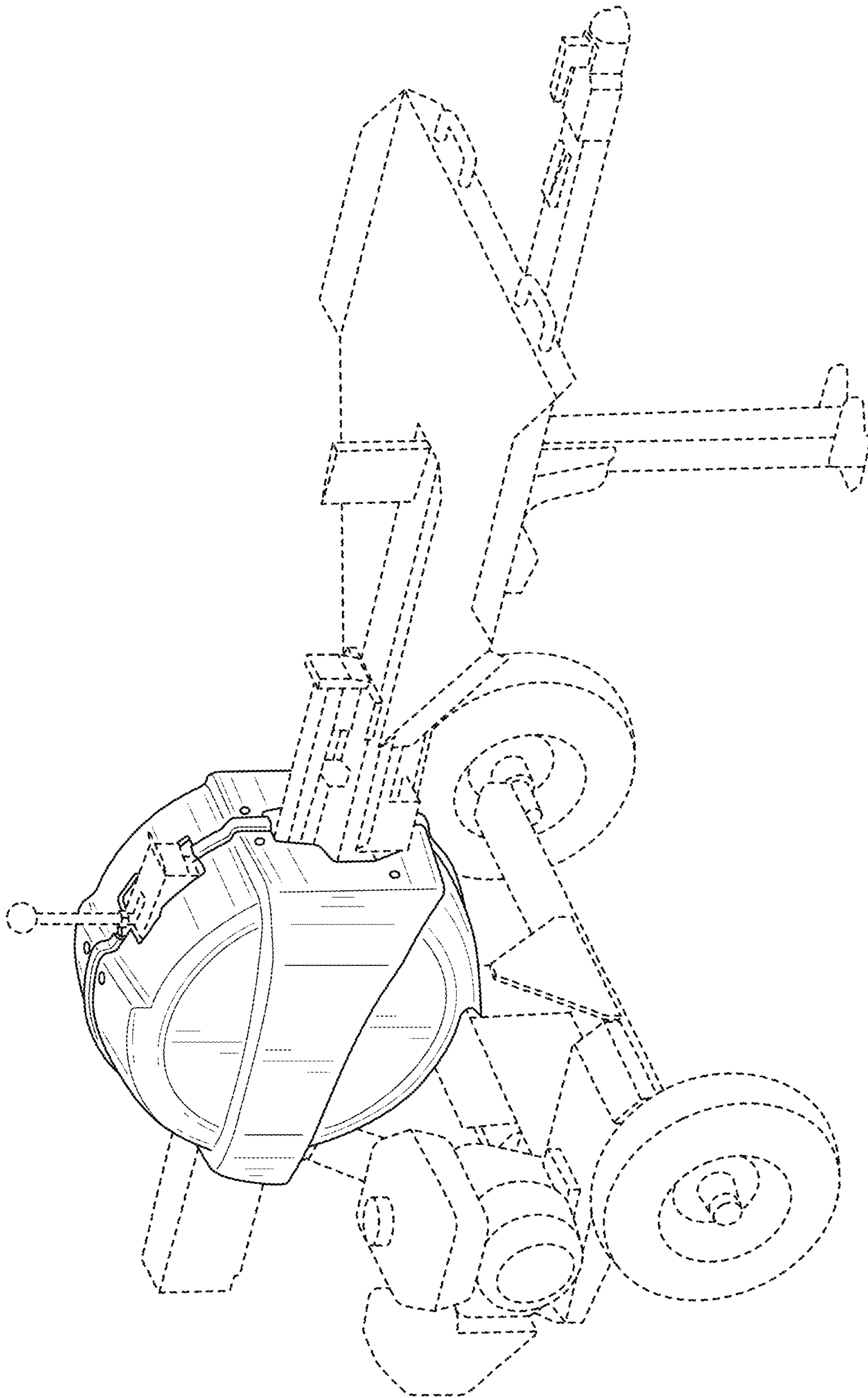


FIG. 8