



US00D774571S

(12) **United States Design Patent**
Robertson

(10) **Patent No.:** **US D774,571 S**

(45) **Date of Patent:** **** Dec. 20, 2016**

- (54) **EJECTOR PIN**
- (71) Applicant: **Synergy MouldWorks Inc**, Brantford (CA)
- (72) Inventor: **Cory Robertson**, Brantford (CA)
- (**) Term: **15 Years**
- (21) Appl. No.: **29/533,947**
- (22) Filed: **Jul. 23, 2015**
- (51) **LOC (10) Cl.** **15-09**
- (52) **U.S. Cl.**
USPC **D15/135; D15/138**
- (58) **Field of Classification Search**
USPC D15/128, 135, 136, 137, 138; 164/344;
425/67, 149, 170, 444, 556
See application file for complete search history.

- 7,131,625 B2 * 11/2006 Wieder B29C 45/2703
249/103
- D568,914 S * 5/2008 Or D15/138
- 7,591,643 B2 * 9/2009 Hirano B29C 45/401
425/436 R
- D629,025 S * 12/2010 Greenleaf D15/128
- D640,715 S * 6/2011 Tiner D15/138
- D661,714 S * 6/2012 Waterhouse D15/135
- D703,710 S * 4/2014 Tix D15/135
- D708,988 S * 7/2014 Le Miere D12/161
- 8,936,456 B2 * 1/2015 Hunter B01D 46/0001
425/85
- D750,749 S * 3/2016 Penkkimaki D23/233
- D762,804 S * 8/2016 Gardner D22/108
- D768,216 S * 10/2016 Funakoshi D15/135
- 2007/0290119 A1 * 12/2007 Cerniglia B29C 45/17
249/67

* cited by examiner

Primary Examiner — Patricia Palasik

(57) **CLAIM**

The ornamental design for an ejector pin, as shown and described.

DESCRIPTION

FIG. 1 is a top side perspective view of the present design an ejector pin.
 FIG. 2 is a top plan view of the ejector pin shown in FIG. 1.
 FIG. 3 is a side elevation view of the ejector pin shown in FIG. 1; and,
 FIG. 4 is a bottom plan view of the ejector pin shown in FIG. 1.
 The right and left side of the ejector pin shown in FIG. 1 are identical.

1 Claim, 2 Drawing Sheets

(56) **References Cited**

U.S. PATENT DOCUMENTS

- 2,013,368 A * 9/1935 Trusler A61C 13/14
425/175
- D119,612 S * 3/1940 Ernst et al. D15/135
- 2,645,815 A * 7/1953 Quarnstrom B29C 45/2602
249/205
- 3,222,968 A * 12/1965 Larson B21D 28/34
83/128
- 3,516,302 A * 6/1970 Muttart B22D 17/2236
249/205
- 3,963,209 A * 6/1976 Muller B29C 45/4005
164/344
- D277,453 S * 2/1985 Wilman D8/323
- D311,677 S * 10/1990 Headrick D8/323
- 6,345,974 B1 * 2/2002 Kawasaki B29C 45/401
249/67

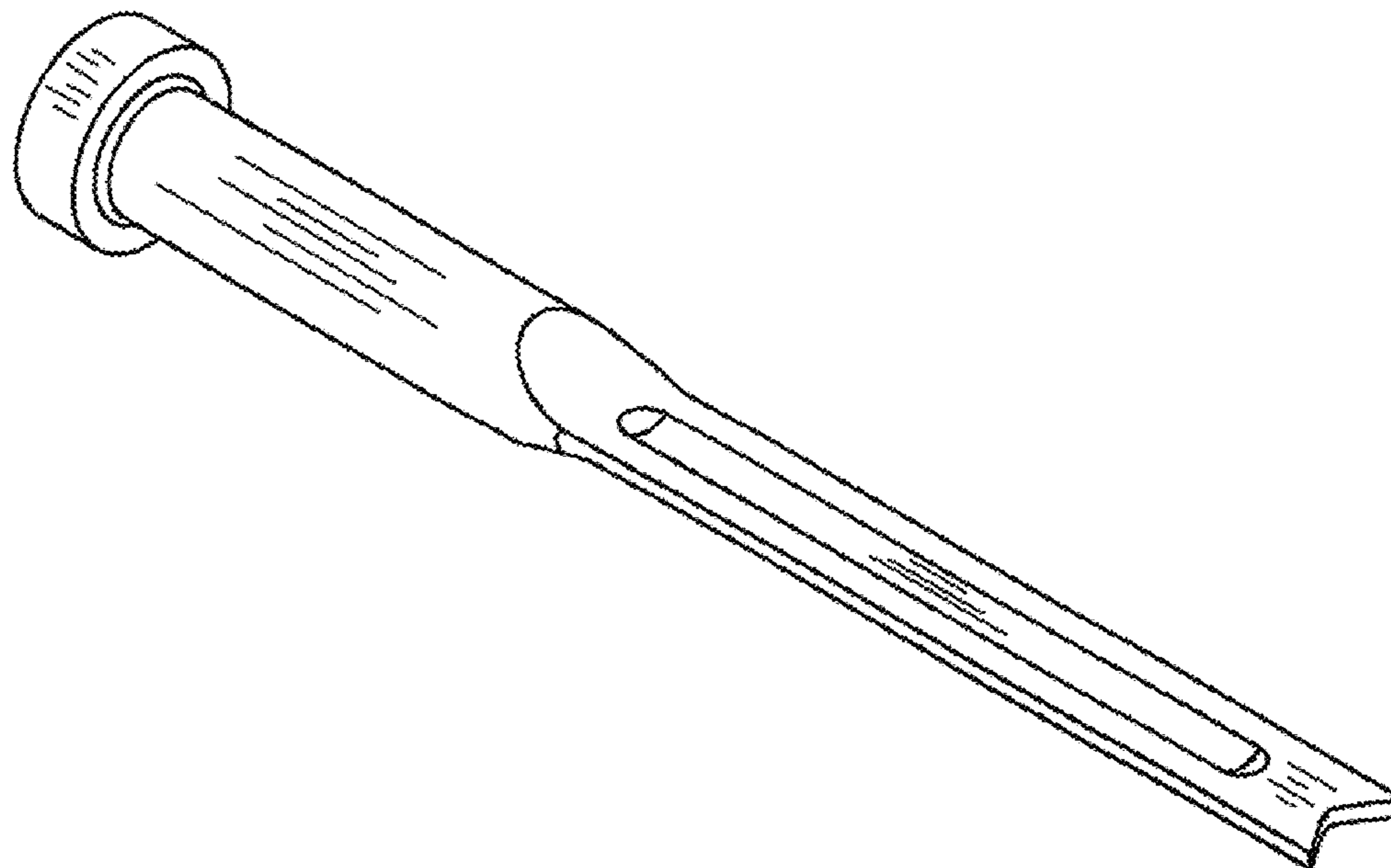


Figure 1

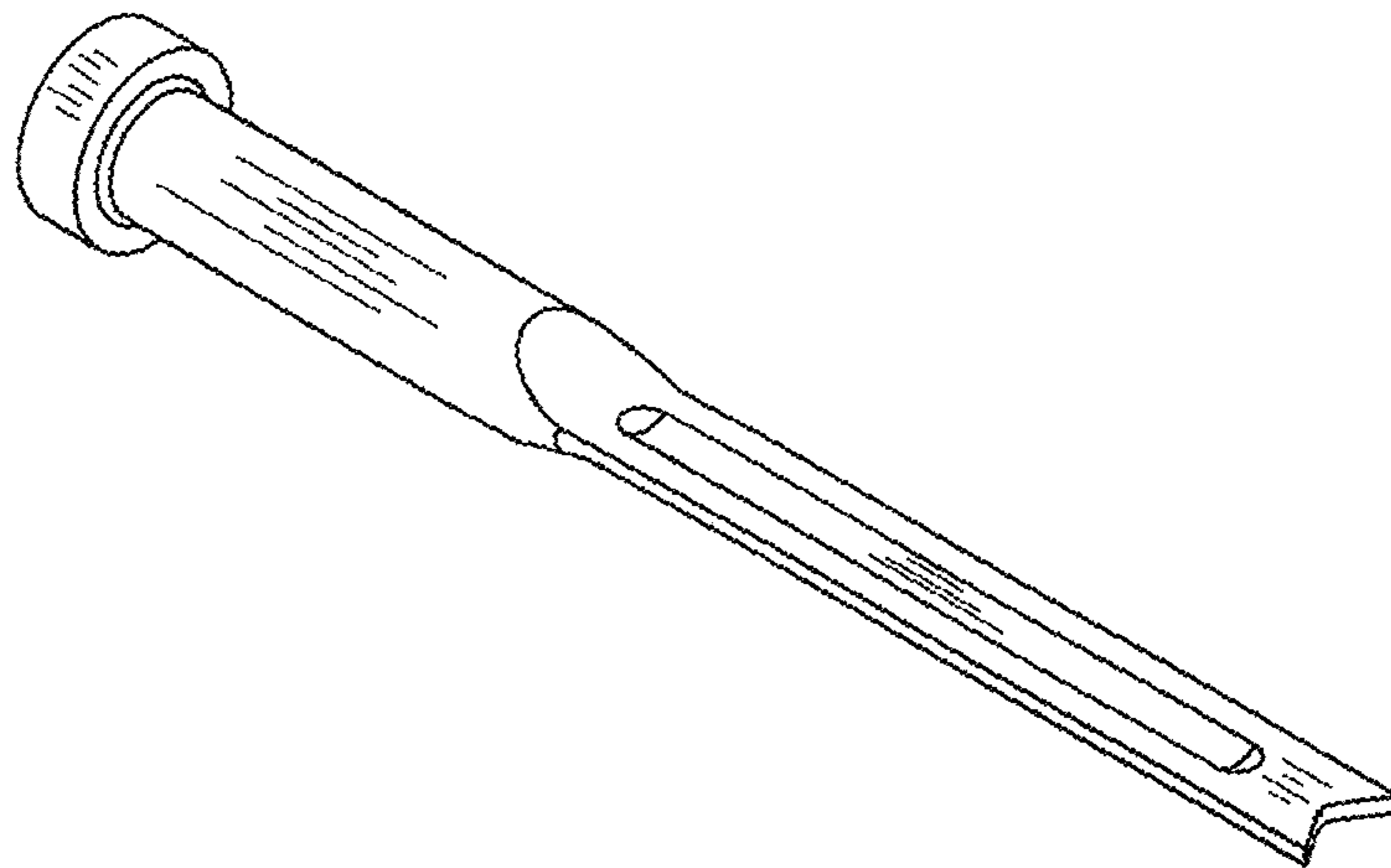


Figure 2

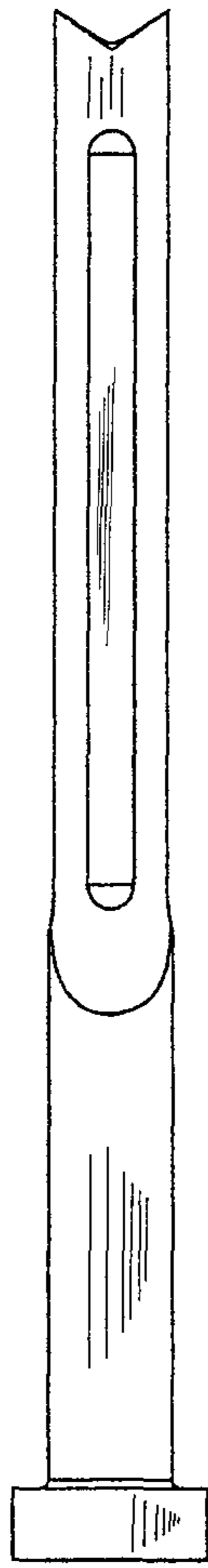


Figure 3

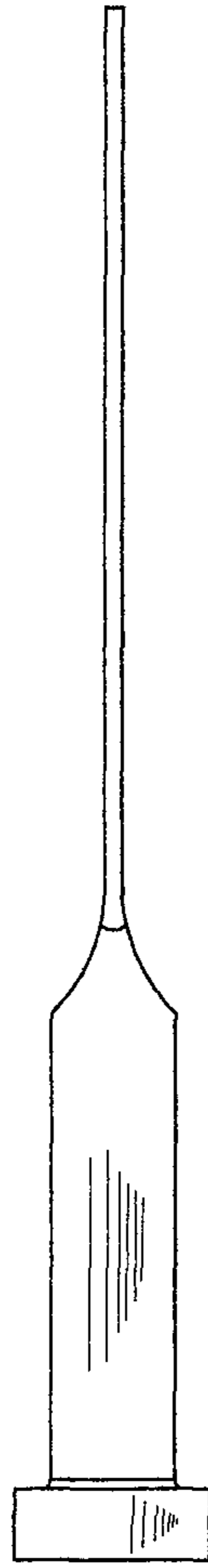


Figure 4

