



US00D774570S

(12) **United States Design Patent**  
**Kovach et al.**

(10) **Patent No.:** **US D774,570 S**

(45) **Date of Patent:** **\*\* Dec. 20, 2016**

(54) **MAGNETIC BASE WITH ILLUMINATOR FOR MAGNETICALLY MOUNTABLE PORTABLE DRILL**

(71) Applicant: **Hougen Manufacturing, Inc.**, Swartz Creek, MI (US)

(72) Inventors: **Jonathan W. Kovach**, Montrose, MI (US); **Gary D. Taphouse**, Owosso, MI (US); **Jeffery R. Miller**, Gaines, MI (US)

(73) Assignee: **HOUGEN MANUFACTURING, INC.**, Swartz Creek, MI (US)

(\*\*) Term: **14 Years**

(21) Appl. No.: **29/500,753**

(22) Filed: **Aug. 28, 2014**

(51) **LOC (10) Cl.** ..... **15-09**

(52) **U.S. Cl.**  
USPC ..... **D15/132; D15/138**

(58) **Field of Classification Search**  
USPC .... D15/122-138; D8/68, 70, 71, 65, 16-20; D13/156; D14/240, 349, 496, 348, D14/353-355, 309, 314; 408/234, 16  
(Continued)

(56) **References Cited**

**U.S. PATENT DOCUMENTS**

2,440,950 A 5/1948 Hill  
2,625,785 A 1/1953 Meiners  
(Continued)

**FOREIGN PATENT DOCUMENTS**

DE 102008003484 A1 7/2009  
DE 20 2013 011 818 U1 7/2014  
(Continued)

**OTHER PUBLICATIONS**

International Search Report for Application No. PCT/US2014/053092 dated Apr. 28, 2015, 4 pages.  
(Continued)

*Primary Examiner* — Susan Bennett Hattan

*Assistant Examiner* — Brett Miller

(74) *Attorney, Agent, or Firm* — Howard & Howard Attorneys PLLC

(57) **CLAIM**

The ornamental design for a magnetic base with illuminator for magnetically mountable portable drill, as shown and described.

**DESCRIPTION**

FIG. 1 is a perspective view of one embodiment of the magnetic base with illuminator for magnetically mountable portable drill design of the present invention having an outer surface with the illuminator shown in solid lines for the magnetic base and having the portable drill and a remainder of the magnetic base shown in broken lines for the purpose of illustrating portions of the magnetic base and forms no part of the claimed design;

FIG. 2 is a top view of the magnetic base with illuminator of FIG. 1;

FIG. 3 is a bottom view of the magnetic base with illuminator of FIG. 1;

FIG. 4 is a left side view of the magnetic base with illuminator of FIG. 1;

FIG. 5 is a right side view of the magnetic base with illuminator of FIG. 1;

FIG. 6 is a front end view of the magnetic base with illuminator of FIG. 1;

FIG. 7 is a rear end view of the magnetic base with illuminator of FIG. 1;

FIG. 8 is a perspective view of another embodiment of the magnetic base with illuminator for magnetically mountable portable drill design of the present invention having an outer surface with the illuminator shown in solid lines for the magnetic base and having the portable drill and a remainder of the magnetic base shown in broken lines for the purpose of illustrating portions of the magnetic base and forms no part of the claimed design;

FIG. 9 is a top view of the magnetic base with illuminator of FIG. 8;

FIG. 10 is a bottom view of the magnetic base with illuminator of FIG. 8;

(Continued)

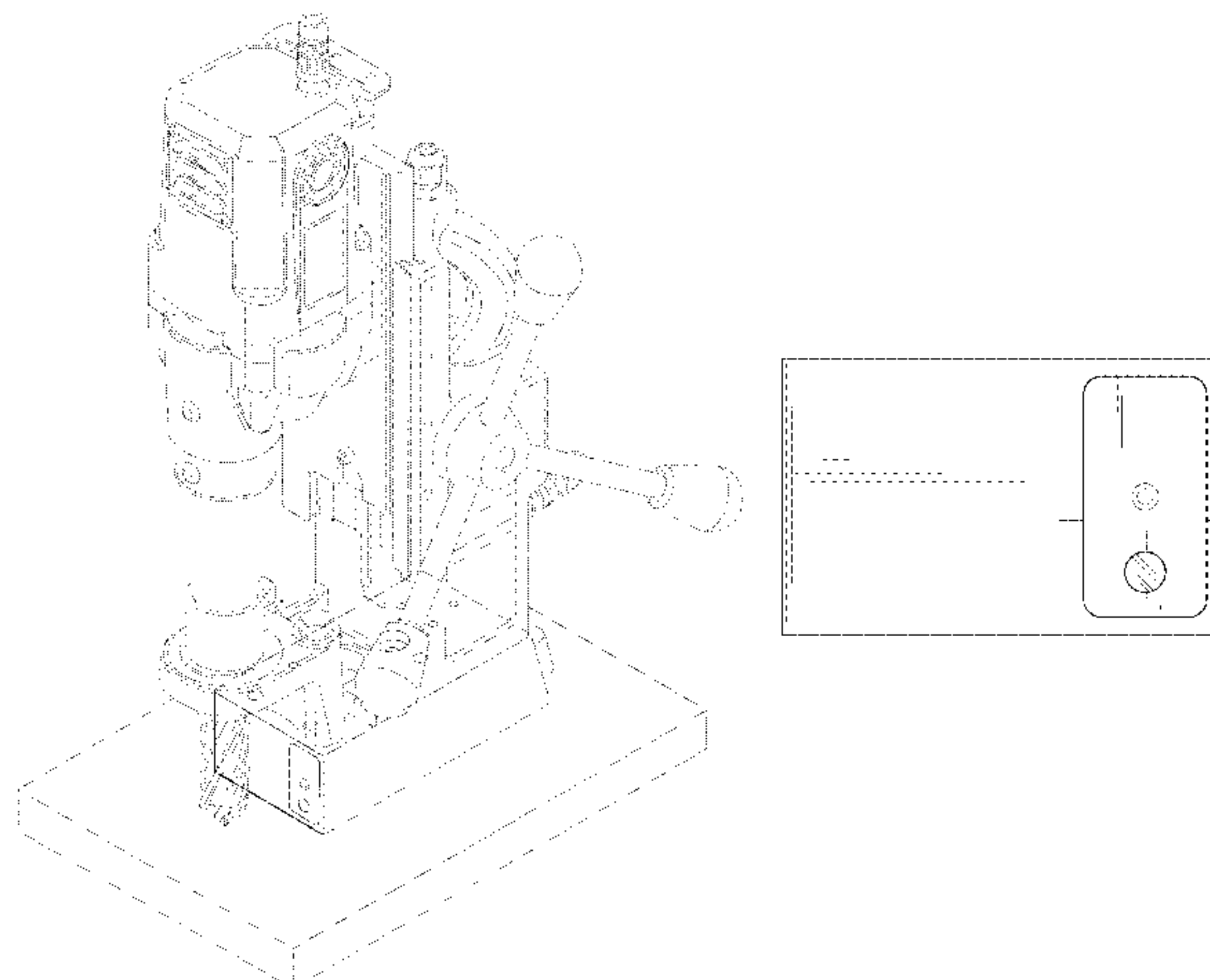


FIG. 11 is a left side view of the magnetic base with illuminator of FIG. 8;  
 FIG. 12 is a right side view of the magnetic base with illuminator of FIG. 8;  
 FIG. 13 is a front end view of the magnetic base with illuminator of FIG. 8; and,  
 FIG. 14 is a rear end view of the magnetic base with illuminator of FIG. 8.

**1 Claim, 10 Drawing Sheets**

(58) **Field of Classification Search**  
 CPC ..... Y10T 408/21; Y10T 83/828; B23B 39/00  
 See application file for complete search history.

(56) **References Cited**

U.S. PATENT DOCUMENTS

2,672,770	A	3/1954	Buck	
2,820,377	A	1/1958	Buck	
2,821,875	A	2/1958	Buck	
2,887,910	A	5/1959	Williamson, Jr.	
2,926,236	A	2/1960	Charton	
2,932,194	A	4/1960	Buck	
2,941,446	A *	6/1960	Senglet .....	B23Q 17/22 408/234
3,044,324	A	7/1962	Buck	
3,130,633	A	4/1964	Rantsch	
3,728,027	A	4/1973	Watanabe	
3,981,605	A *	9/1976	Wirsing .....	B23B 41/00 408/16
4,012,162	A	3/1977	Warren	
4,425,061	A	1/1984	Kindl et al.	
4,443,137	A *	4/1984	Albrent .....	B23Q 5/147 408/16
D285,797	S *	9/1986	Arehart .....	D15/132
4,887,193	A	12/1989	Dieckmann	
4,892,447	A	1/1990	Schmidt	
5,275,517	A	1/1994	Turnipseed et al.	
5,522,683	A	6/1996	Kakimoto et al.	
5,902,076	A	5/1999	Miller et al.	
D421,018	S *	2/2000	Ashkenazi .....	D14/240
D438,199	S *	2/2001	Arpe .....	D14/240
D445,808	S	7/2001	Gill	
D446,227	S	8/2001	Gill	
D447,494	S	9/2001	Miller	
6,328,505	B1	12/2001	Gibble	
6,364,580	B1	4/2002	Dils et al.	
6,443,675	B1	9/2002	Kopras et al.	
D470,868	S *	2/2003	Welsh .....	D15/132
D472,251	S *	3/2003	Shimada .....	D15/132
D481,379	S *	10/2003	Nagai .....	D14/240

6,634,838	B2 *	10/2003	Kitamura .....	B23Q 1/626 408/234
D525,971	S *	8/2006	Ayala .....	D14/356
7,164,474	B2	1/2007	Arntson et al.	
7,296,905	B2	11/2007	Etter et al.	
D563,994	S *	3/2008	Liu .....	D14/356
D565,568	S *	4/2008	Trifilio .....	D14/356
D568,881	S *	5/2008	Hsiau .....	D14/356
7,369,916	B2	5/2008	Etter et al.	
7,377,202	B1	5/2008	Shibata	
D577,750	S	9/2008	Kovach	
7,936,142	B2	5/2011	Otsuka et al.	
8,011,283	B2	9/2011	Takase	
8,186,067	B2	5/2012	Onose et al.	
8,376,667	B2	2/2013	Wilbert et al.	
8,405,258	B2	3/2013	Schoen et al.	
8,469,531	B2	6/2013	Huang	
8,667,877	B2	3/2014	Marinov et al.	
D719,196	S *	12/2014	Burca .....	D15/132
D726,766	S *	4/2015	Goodner .....	D14/496
2002/0131267	A1	9/2002	Van Osenbruggen	
2005/0094386	A1	5/2005	Zhang et al.	
2008/0025017	A1	1/2008	Tadokoro et al.	
2009/0028653	A1	1/2009	Wilbert et al.	
2009/0110500	A1	4/2009	Miller et al.	
2010/0028095	A1 *	2/2010	Yang .....	B23B 39/00 408/99
2010/0085730	A1	4/2010	Chen et al.	
2011/0250026	A1 *	10/2011	Lin .....	B23B 39/00 408/16
2012/0318113	A1	12/2012	Coble	
2013/0287508	A1	10/2013	Timmons et al.	
2014/0227054	A1	8/2014	Timmons et al.	
2016/0059321	A1 *	3/2016	Kovach .....	B23B 45/00 408/16

FOREIGN PATENT DOCUMENTS

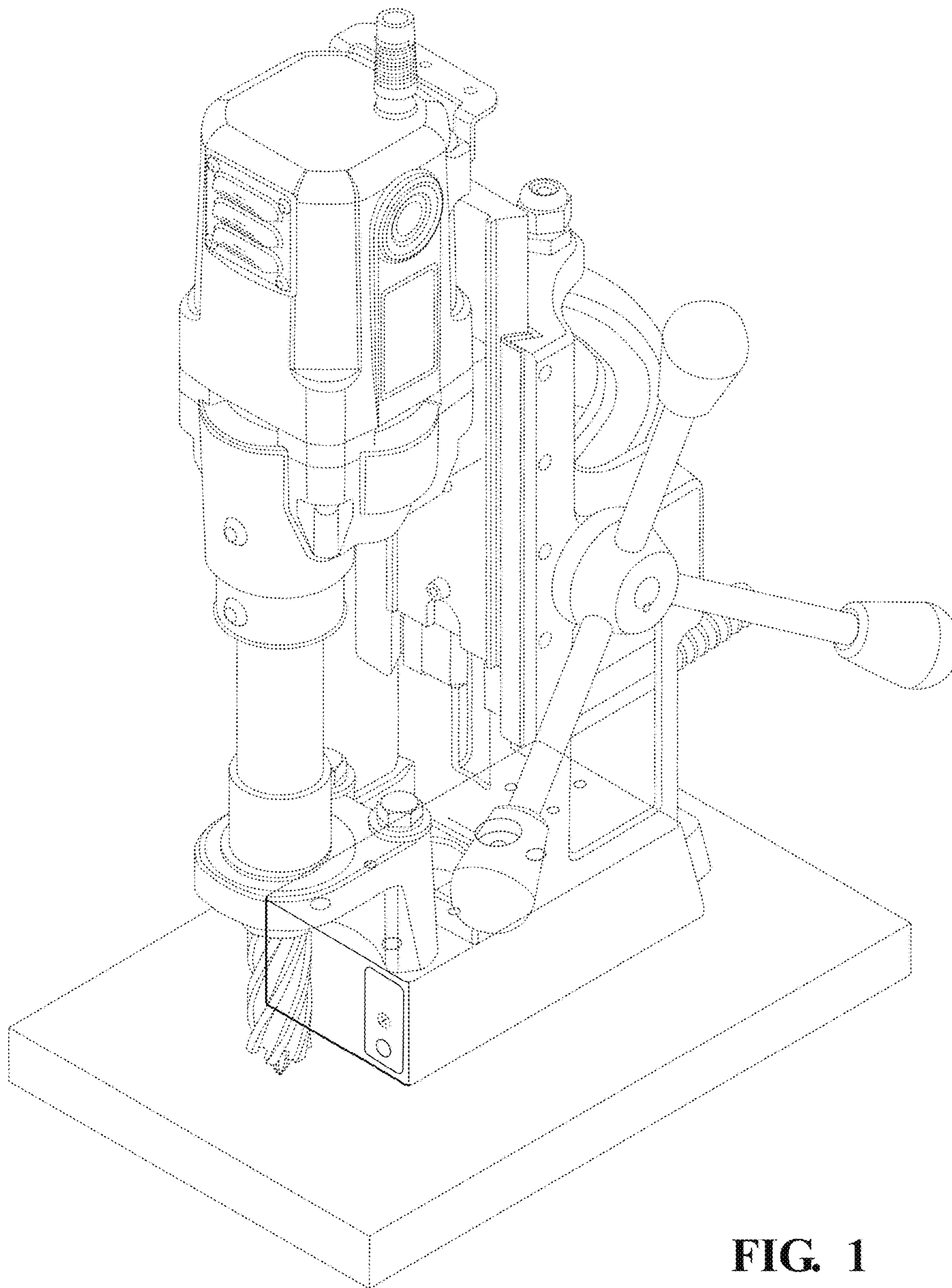
JP	2002254227	A	9/2002
JP	2004009149	A	1/2004
WO	WO2013163412	A1	10/2013

OTHER PUBLICATIONS

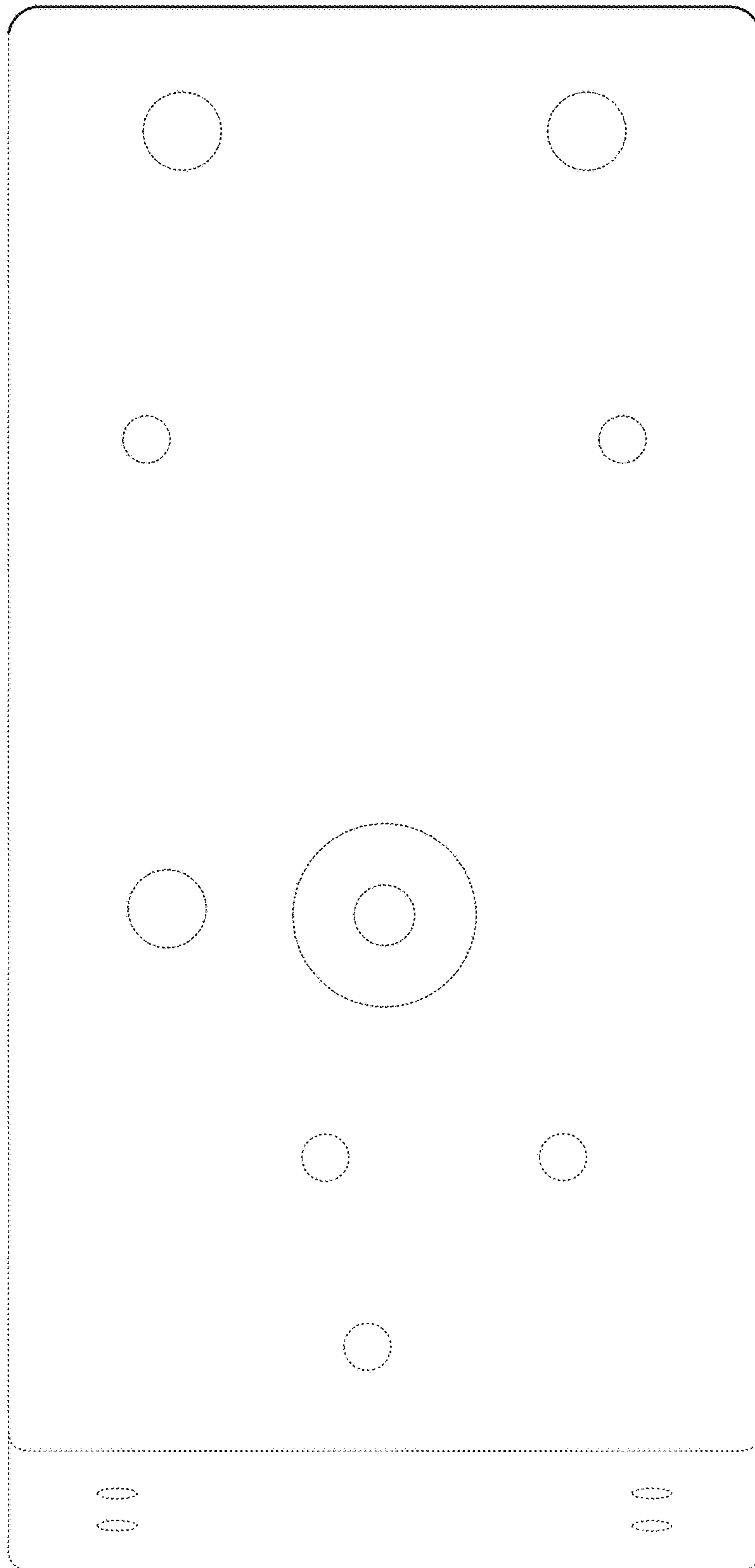
Machine-Assisted English language abstract and Machine-Assisted English language translation for DE 20 2013 011 818 extracted from espacenet.com database on May 7, 2015, 21 pages.  
 English language abstract and machine-assisted English translation for JP2004009149 extracted from espacenet.com database on Dec. 3, 2014, 5 pages.  
 English language abstract and machine-assisted translation for DE 102008003484 extracted from espacenet.com database on Jan. 15, 2016, 10 pages.

\* cited by examiner

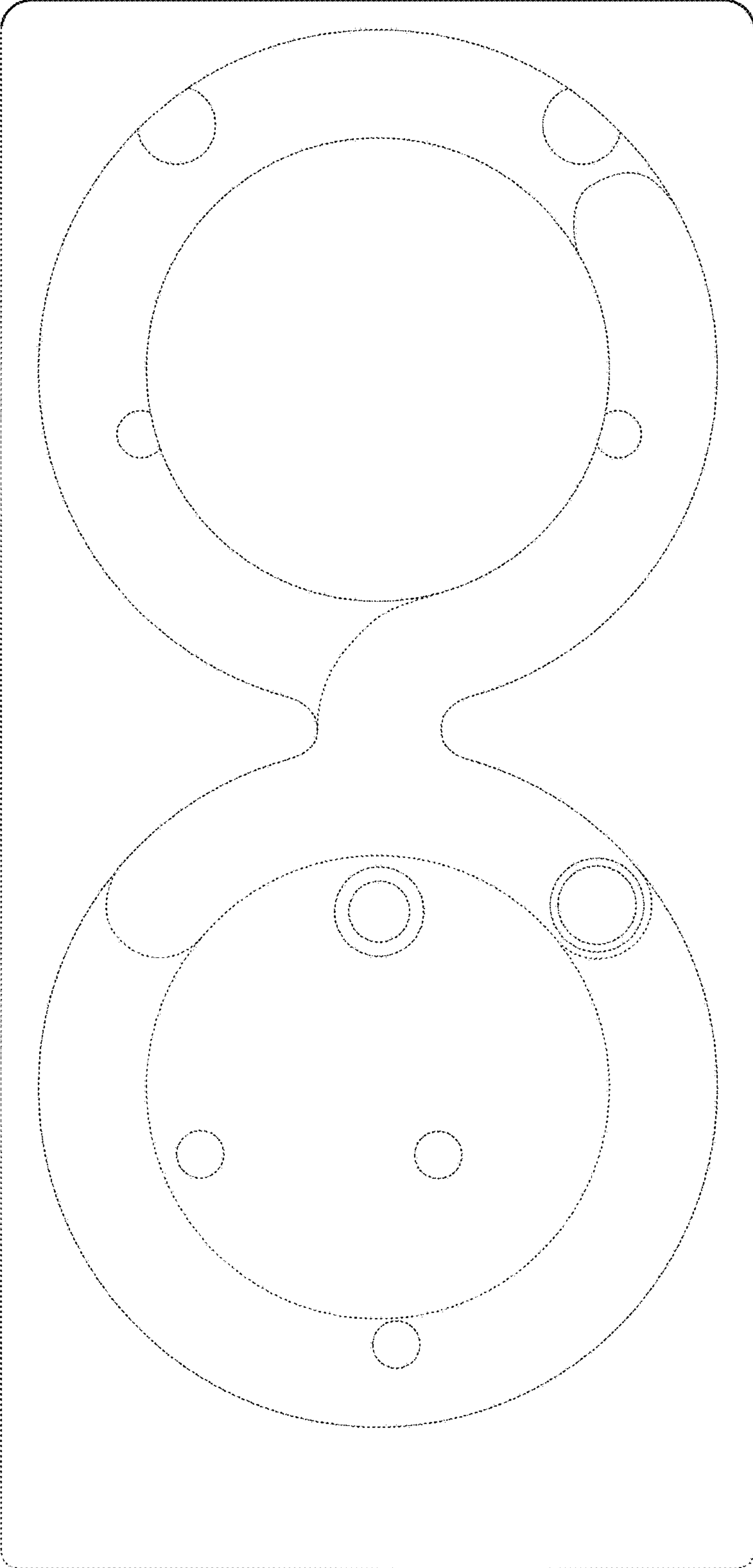




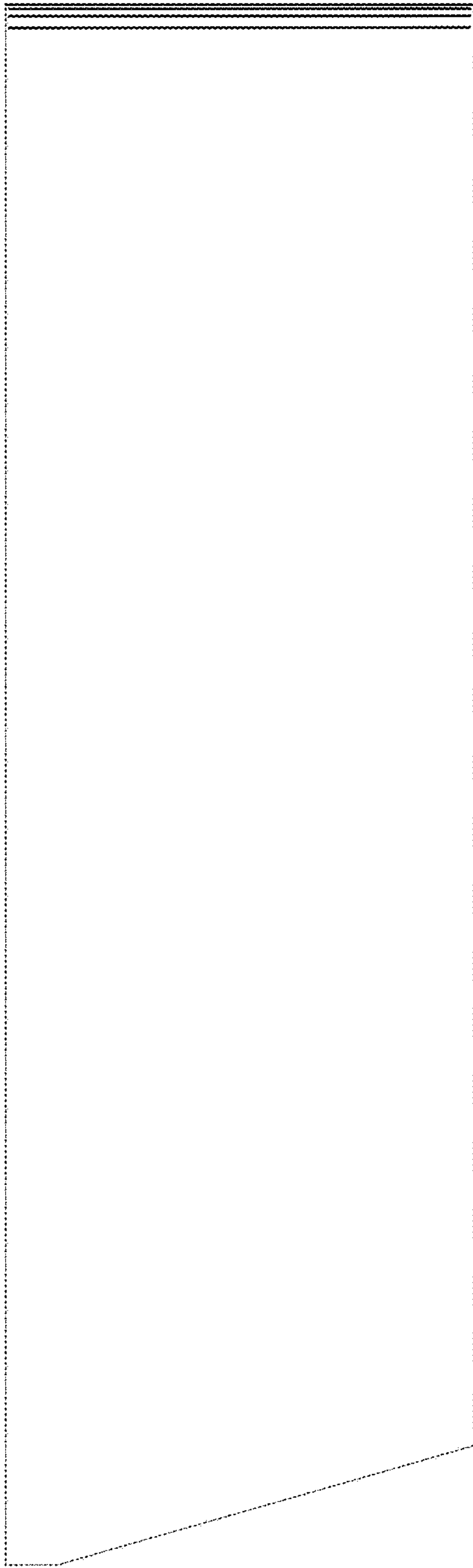
**FIG. 1**



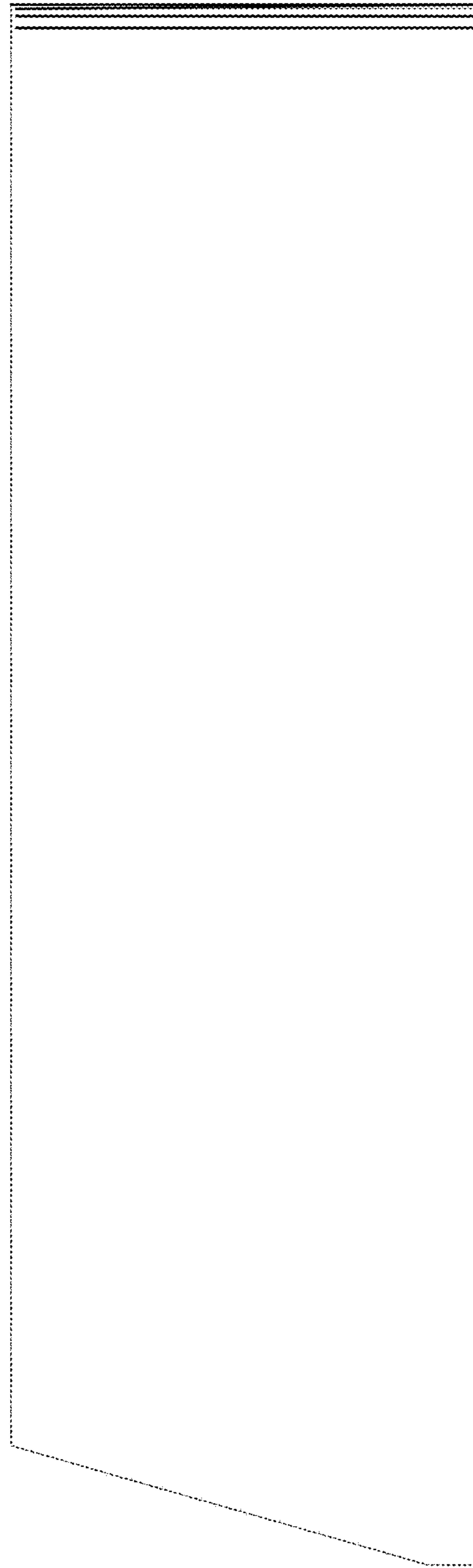
**FIG. 2**



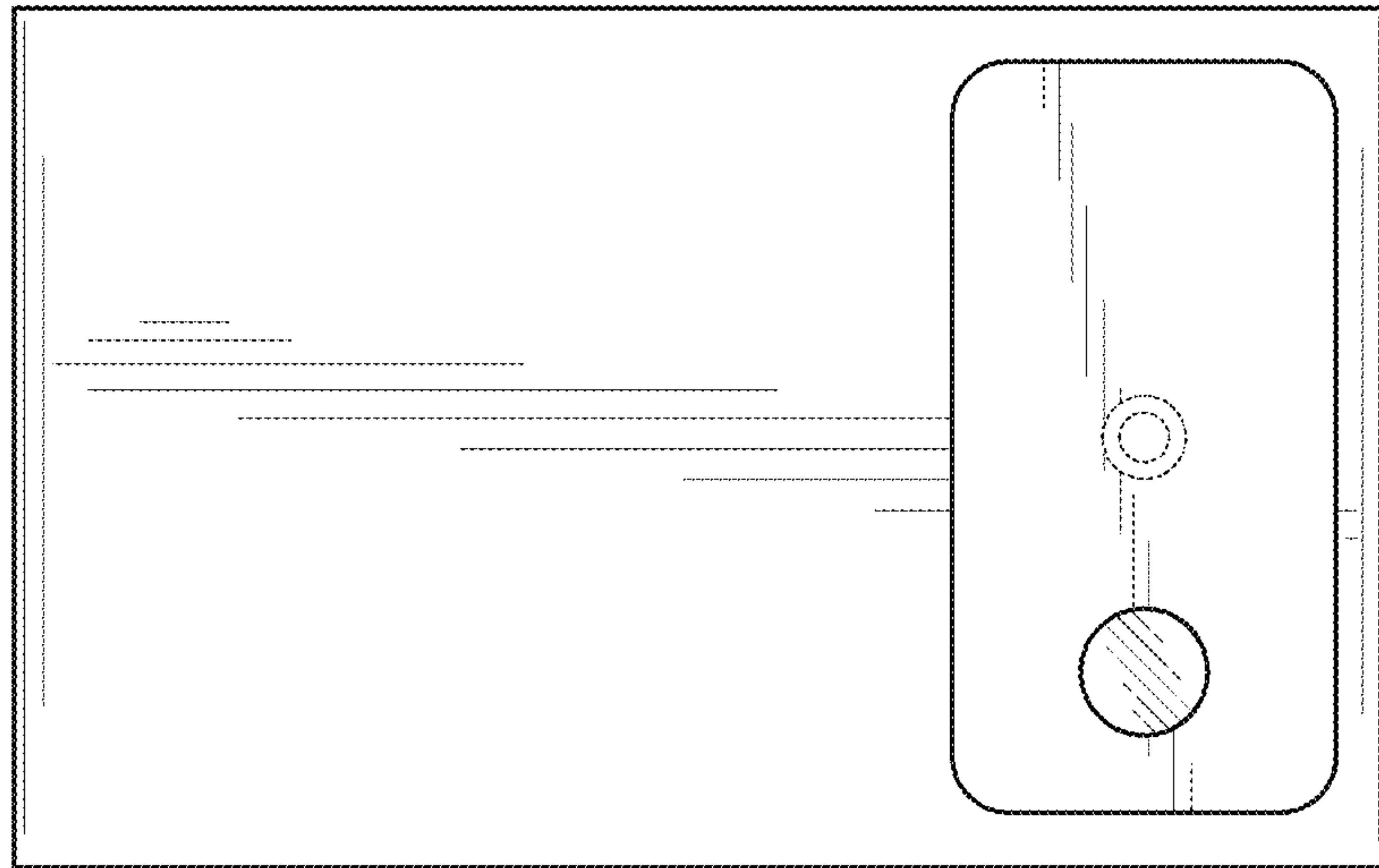
**FIG. 3**



**FIG. 4**



**FIG. 5**



**FIG. 6**



**FIG. 7**

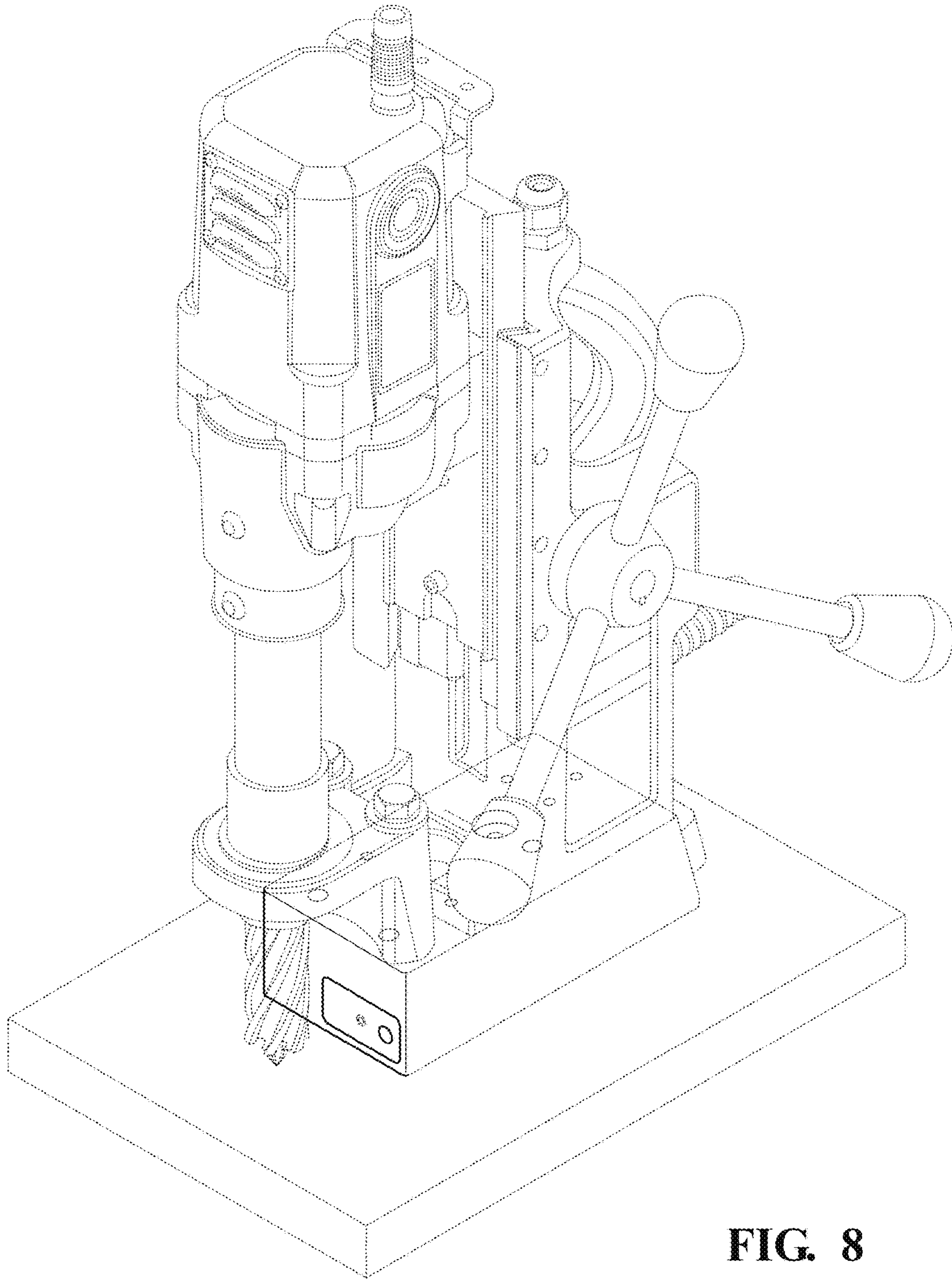
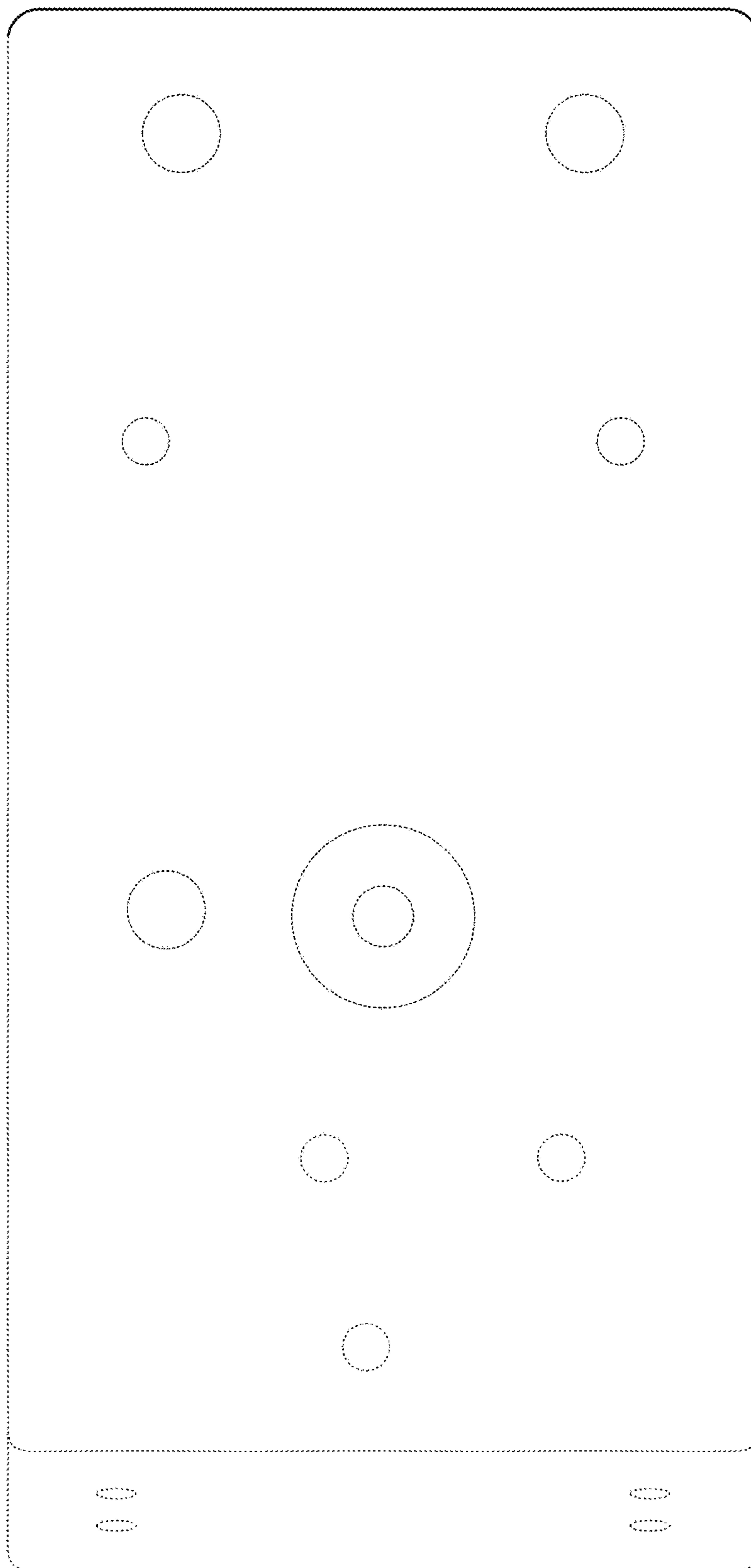
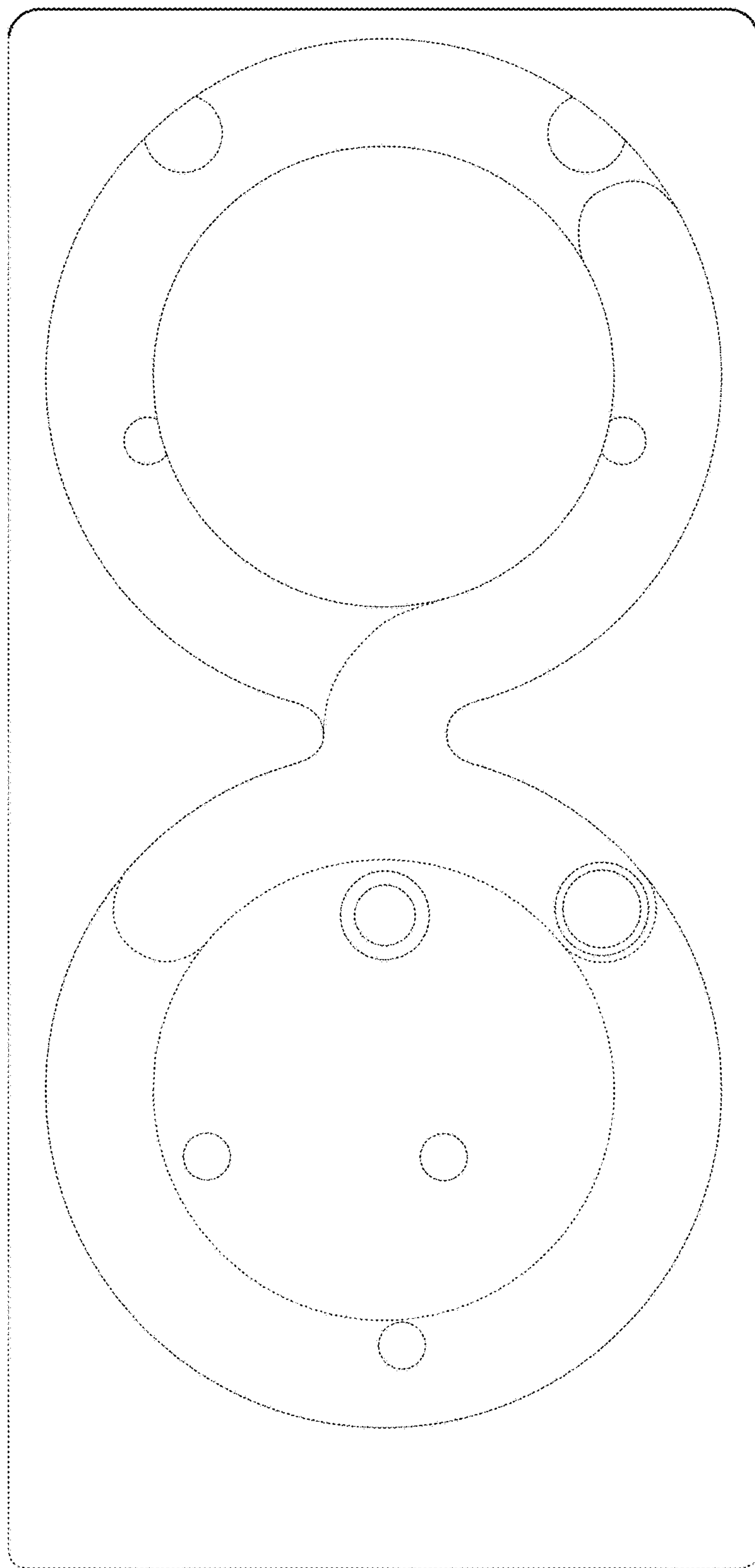


FIG. 8

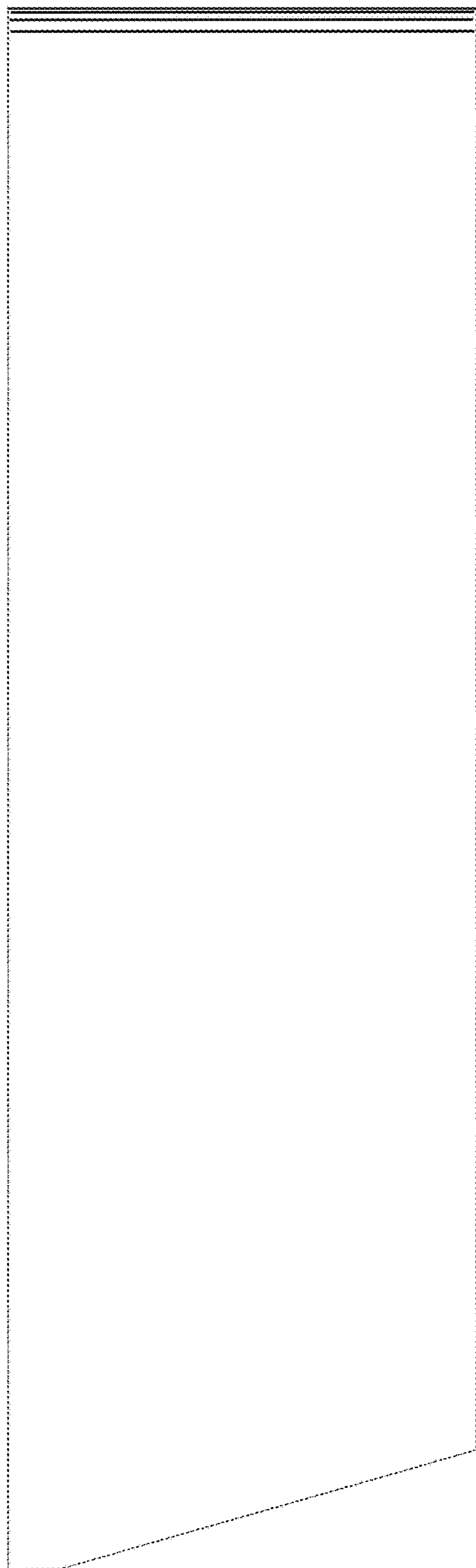




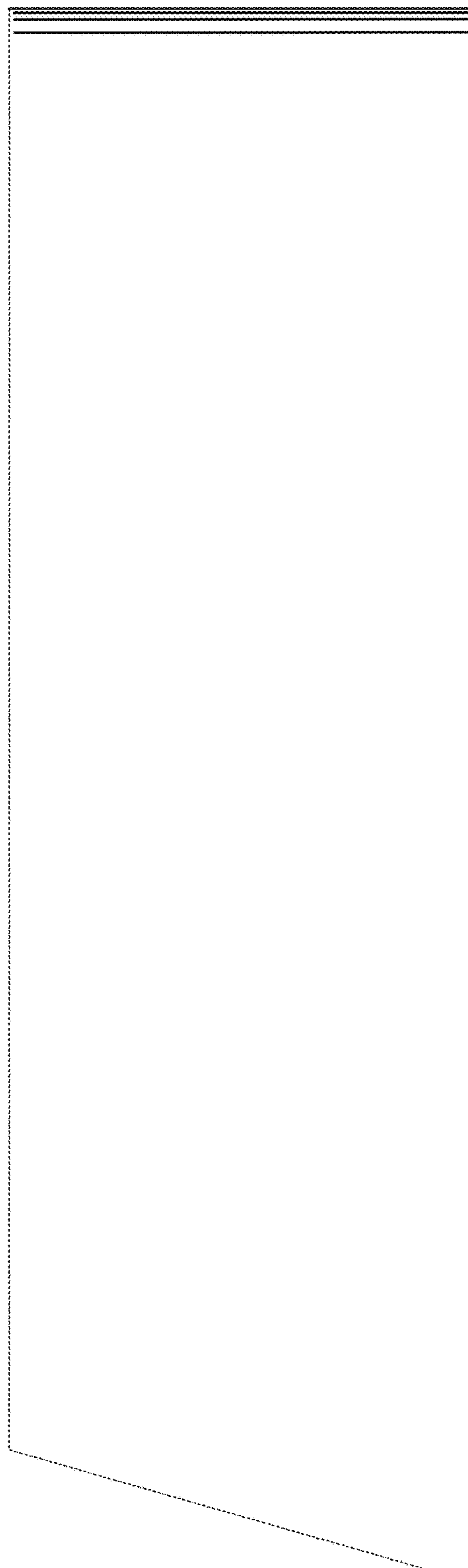
**FIG. 9**



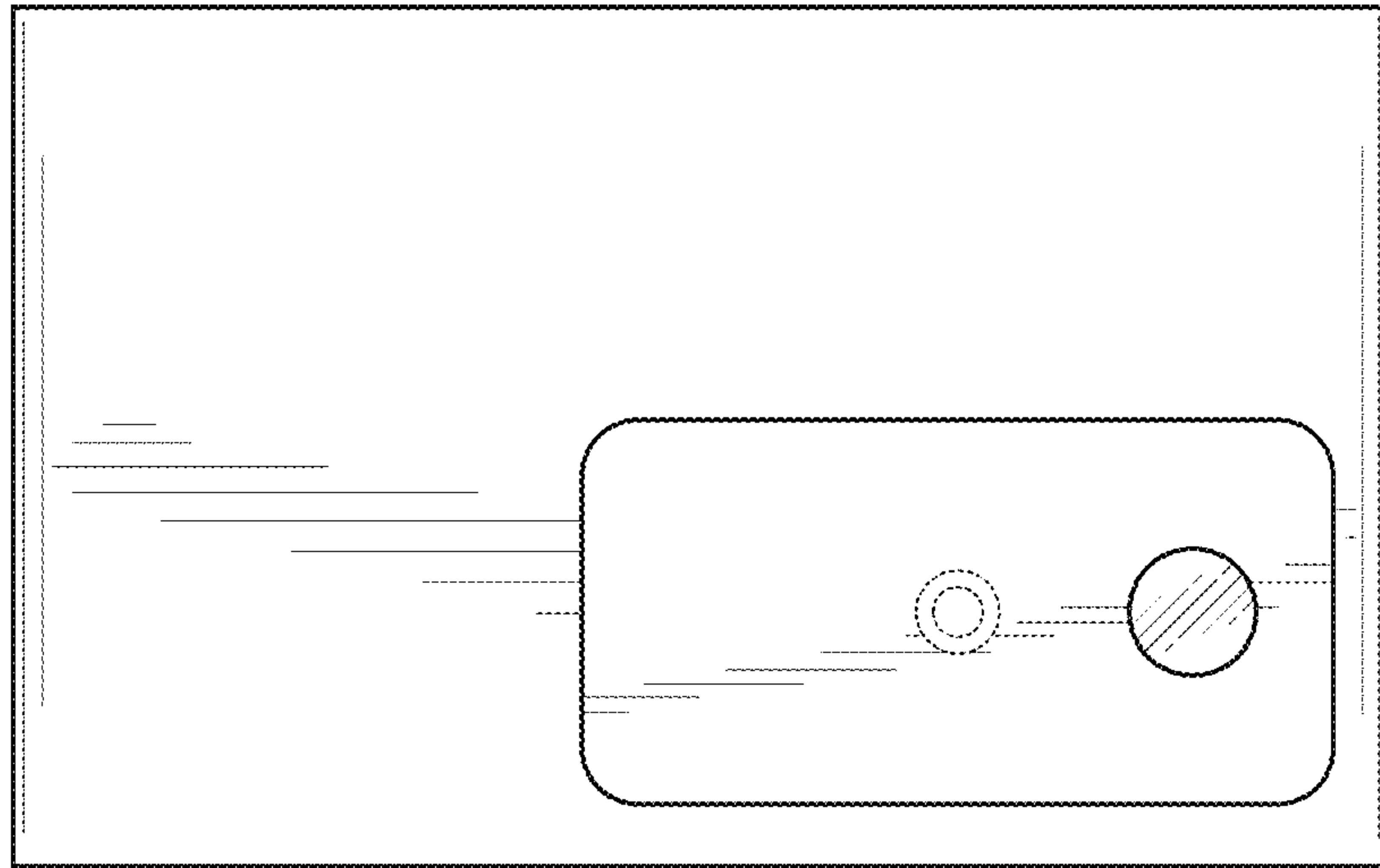
**FIG. 10**



**FIG. 11**



**FIG. 12**



**FIG. 13**



**FIG. 14**