



US00D774568S

(12) **United States Design Patent**
Bonney et al.

(10) **Patent No.:** **US D774,568 S**

(45) **Date of Patent:** **** Dec. 20, 2016**

(54) **FREEZER**

(71) Applicant: **Follett Corporation**, Easton, PA (US)

(72) Inventors: **Glenn Eric Bonney**, Macungie, PA (US); **Shawn P. Szilezy**, Bath, PA (US)

(73) Assignee: **Follett Corporation**, Easton, PA (US)

(**) Term: **14 Years**

(21) Appl. No.: **29/523,449**

(22) Filed: **Apr. 9, 2015**

(51) **LOC (10) Cl.** **15-07**

(52) **U.S. Cl.**

USPC **D15/81**

(58) **Field of Classification Search**

USPC D15/79-91

CPC F25B 21/02; F25B 2321/02; F25B 1/005;
F25B 2321/0252; F25B 1/00; F25B 1/10;
F25B 21/04; F25B 2339/047; F25B 5/02;
F25B 7/00; F25B 13/00; F25B
1/053; F25B 2309/06; F25B
2321/021; F25B 2321/023; F25D 23/028;
F25D 23/02; F25D 25/025; F25D 23/00;
F25D 2323/021; F25D 11/00; F25D
2323/024; F25D 23/04; F25D 29/00;
F25D 25/02; F25D 25/024; F25D 27/005;
F25D 23/12; F25D 29/005; F25D 17/042;
F25D 2325/021

See application file for complete search history.

(56) **References Cited**

U.S. PATENT DOCUMENTS

2,779,165 A 1/1957 Pichler et al.
3,080,884 A 3/1963 Nelson et al.
3,341,065 A 9/1967 Schuldt et al.
3,771,560 A 11/1973 Conti et al.
4,123,918 A 11/1978 Kohl et al.

4,248,276 A 2/1981 Gosnell
4,796,441 A 1/1989 Goldstein
D299,900 S 2/1989 Marotta
D322,534 S 12/1991 Chaney
5,112,477 A 5/1992 Hamlin
5,125,242 A 6/1992 Von Blanquet
D333,405 S 2/1993 Moyer, Jr. et al.
5,211,030 A 5/1993 Jameson
5,394,708 A 3/1995 Whinery et al.

(Continued)

FOREIGN PATENT DOCUMENTS

JP 3260574 11/1991
JP 2002022325 1/2002

(Continued)

OTHER PUBLICATIONS

<http://www.quenchonline.com/water-cooler-products>, Quench 975, May 5, 2012.

Primary Examiner — Daniel Bui

Assistant Examiner — Khawaja Anwar

(74) *Attorney, Agent, or Firm* — Paul & Paul

(57) **CLAIM**

An ornamental design for a freezer, as shown and described.

DESCRIPTION

FIG. 1 is a front perspective view of a freezer, showing our new design.

FIG. 2 is rear perspective view thereof;

FIG. 3 is a left side elevational view thereof;

FIG. 4 is a front elevational view thereof;

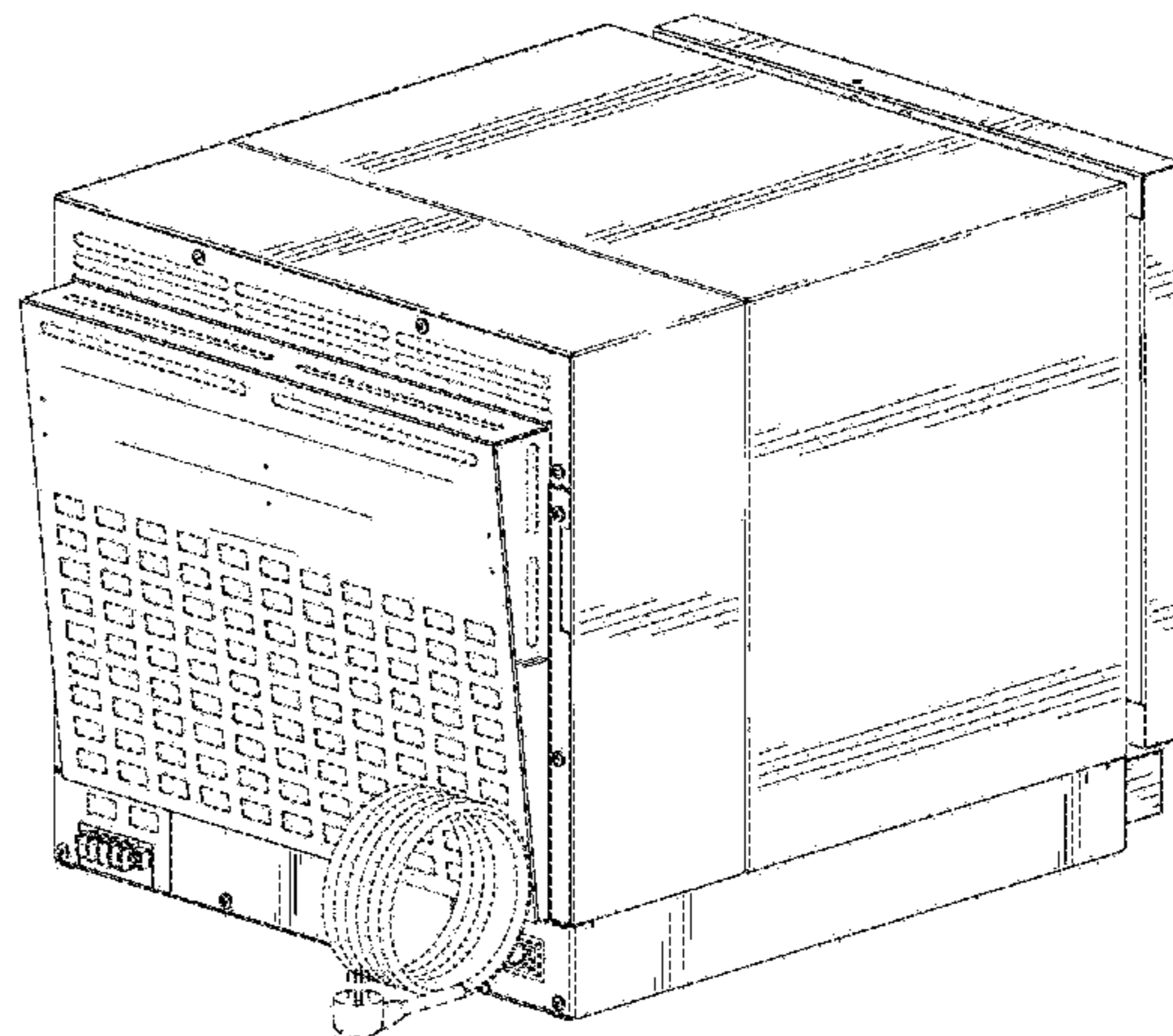
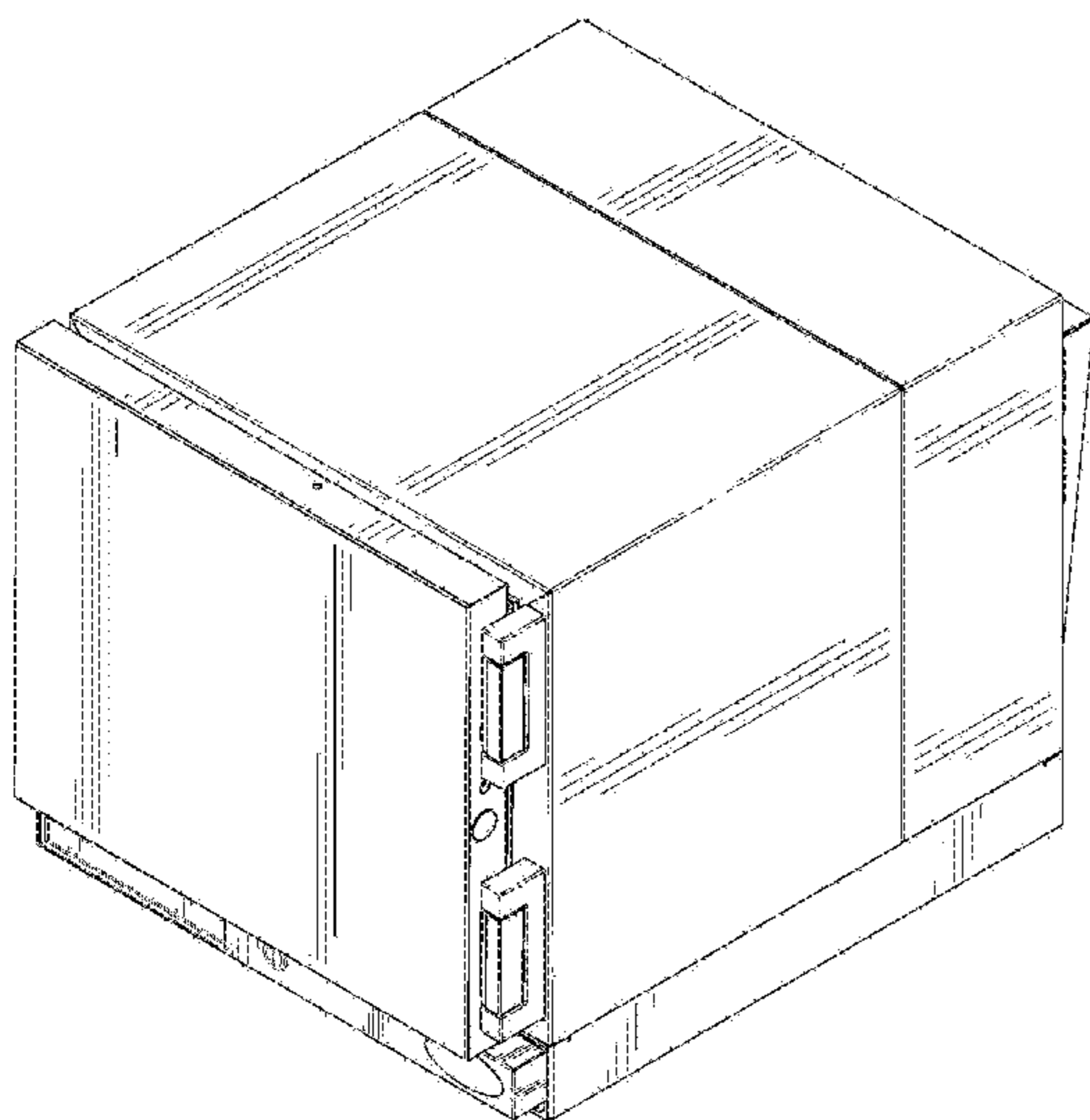
FIG. 5 is a right side elevational view thereof;

FIG. 6 is a top plan view thereof; and,

FIG. 7 is bottom plan view thereof.

The broken lines in the figure drawings represent unclaimed environment only and forms no part of the claimed design.

1 Claim, 7 Drawing Sheets



(56)

References Cited

U.S. PATENT DOCUMENTS

5,542,573 A 8/1996 Frantz
 5,797,514 A 8/1998 Twigg et al.
 5,887,758 A 3/1999 Hawkes et al.
 5,950,866 A 9/1999 Lancaster
 5,987,900 A 11/1999 Love
 D423,861 S 5/2000 Graffius
 6,134,908 A 10/2000 Brunner et al.
 6,321,802 B1 11/2001 Weeks et al.
 D452,971 S * 1/2002 Funabasama D15/81
 6,561,691 B1 5/2003 McCann et al.
 6,591,877 B1 7/2003 Graffius
 6,685,053 B2 2/2004 Hawkes et al.
 D499,599 S 12/2004 Morrison
 D501,488 S * 2/2005 Sato D15/81
 D503,413 S * 3/2005 Diaz D15/83
 6,860,408 B2 3/2005 Hawkes et al.
 D510,674 S 10/2005 Smith et al.
 D510,675 S 10/2005 Ball
 6,952,935 B2 10/2005 Vorosmarti et al.
 D515,348 S 2/2006 McWilliam
 D524,588 S 7/2006 Copland
 7,096,686 B2 8/2006 Brunner et al.
 7,137,271 B2 11/2006 Hawkes et al.
 7,263,844 B2 9/2007 Brunner et al.
 D551,901 S 10/2007 Hulett et al.
 D554,930 S 11/2007 Lavy
 D556,494 S 12/2007 Adachi et al.
 7,322,201 B2 1/2008 Brunner et al.

D568,913 S 5/2008 Suh et al.
 7,415,834 B2 8/2008 Marret et al.
 7,426,838 B1 9/2008 Shapiro et al.
 D581,716 S 12/2008 Harris, III
 7,469,548 B2 12/2008 Brunner et al.
 7,469,552 B2 12/2008 Brunner et al.
 D589,988 S 4/2009 Martin et al.
 D594,483 S * 6/2009 Cefalu D15/81
 D600,062 S 9/2009 Lavy
 D613,112 S 4/2010 Lippert et al.
 D622,533 S 8/2010 Gross et al.
 D627,186 S 11/2010 Romandy
 D640,083 S 6/2011 Davenport
 D642,851 S 8/2011 Yui
 D652,244 S 1/2012 Richardson et al.
 D652,253 S * 1/2012 Wildenbos D15/81
 D696,350 S 12/2013 d'Amore et al.
 D701,888 S * 4/2014 Schumaker D15/81
 D706,567 S 6/2014 Strayle
 2006/0277928 A1 12/2006 McDougal et al.
 2006/0277937 A1 12/2006 Schlosser et al.
 2008/0011000 A1 1/2008 Brunner et al.
 2008/0022711 A1 1/2008 Brunner et al.
 2008/0196422 A1 8/2008 Lee et al.
 2009/0241782 A1 10/2009 Van Dillen et al.

FOREIGN PATENT DOCUMENTS

JP 2006242453 9/2006
 JP 2006308129 11/2006

* cited by examiner

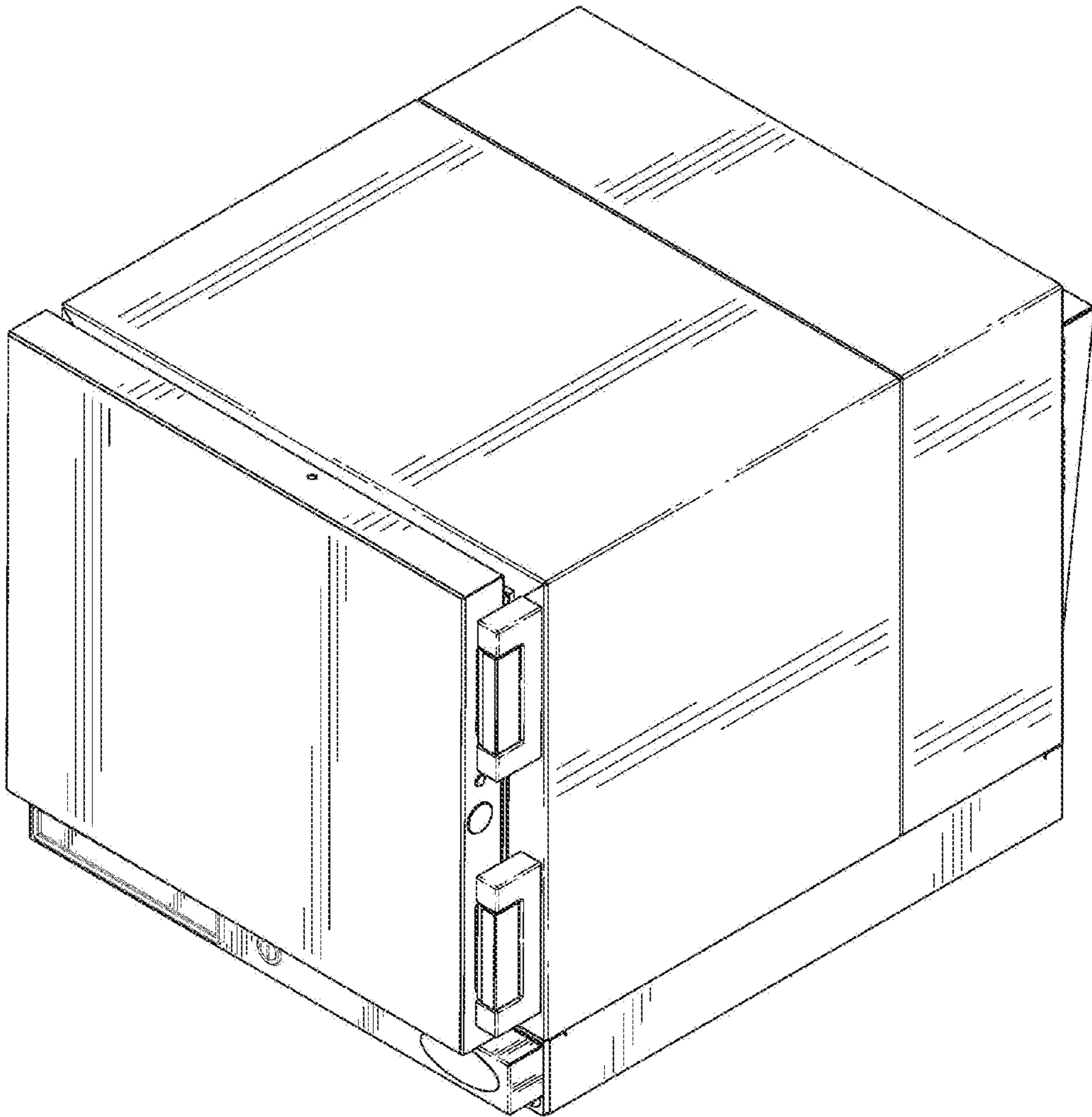


FIG. 1

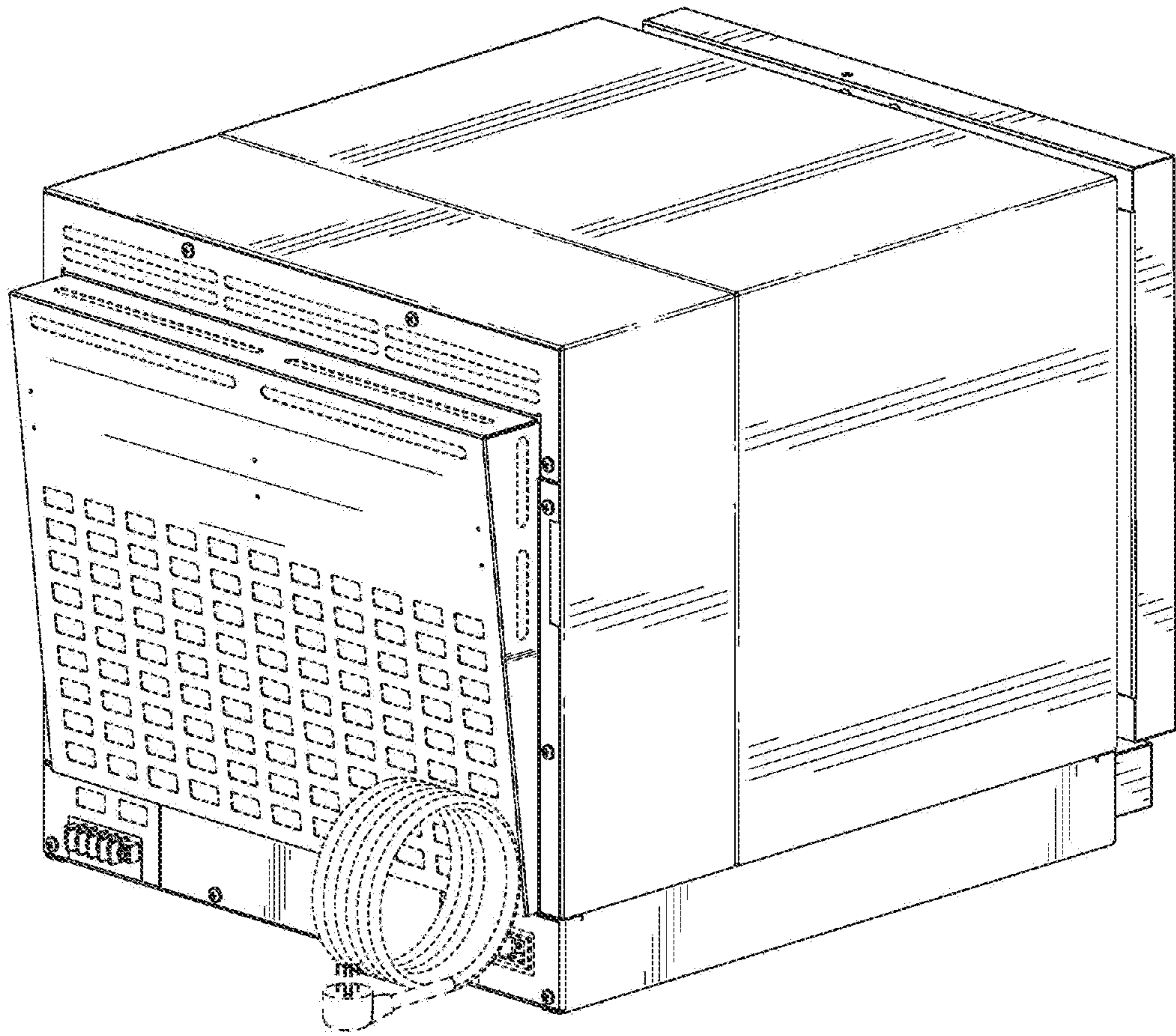


FIG. 2

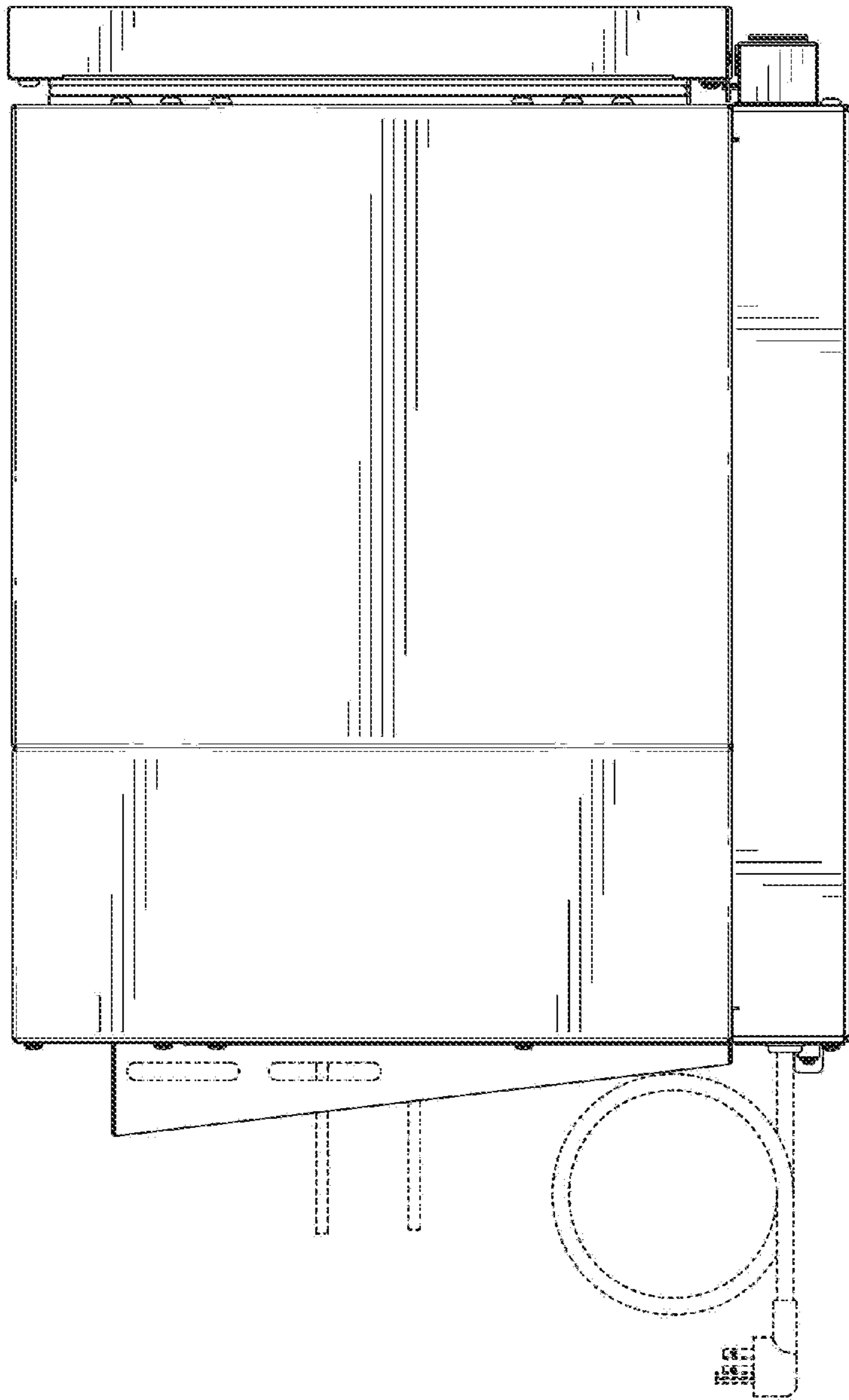


FIG. 3

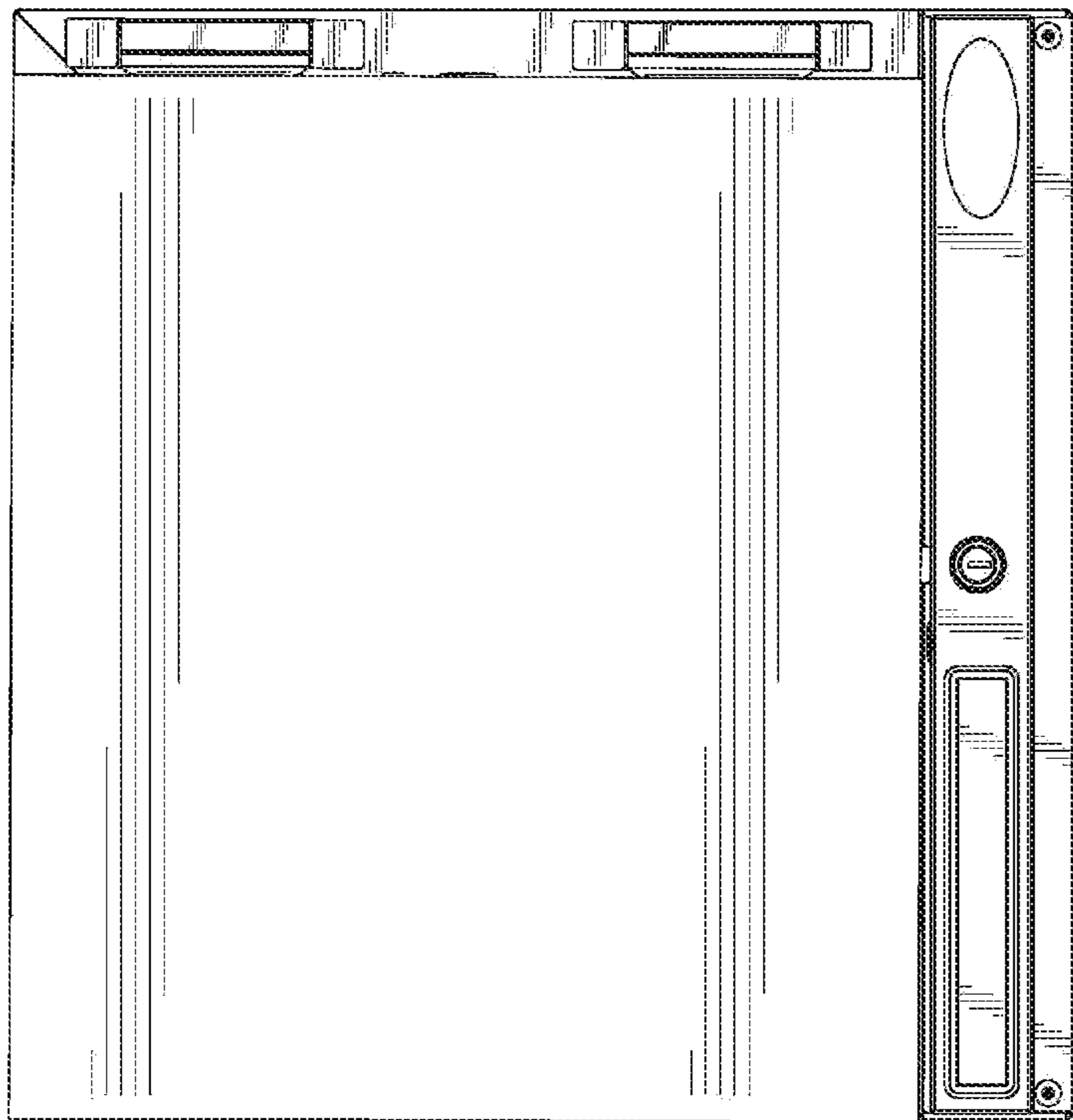


FIG. 4

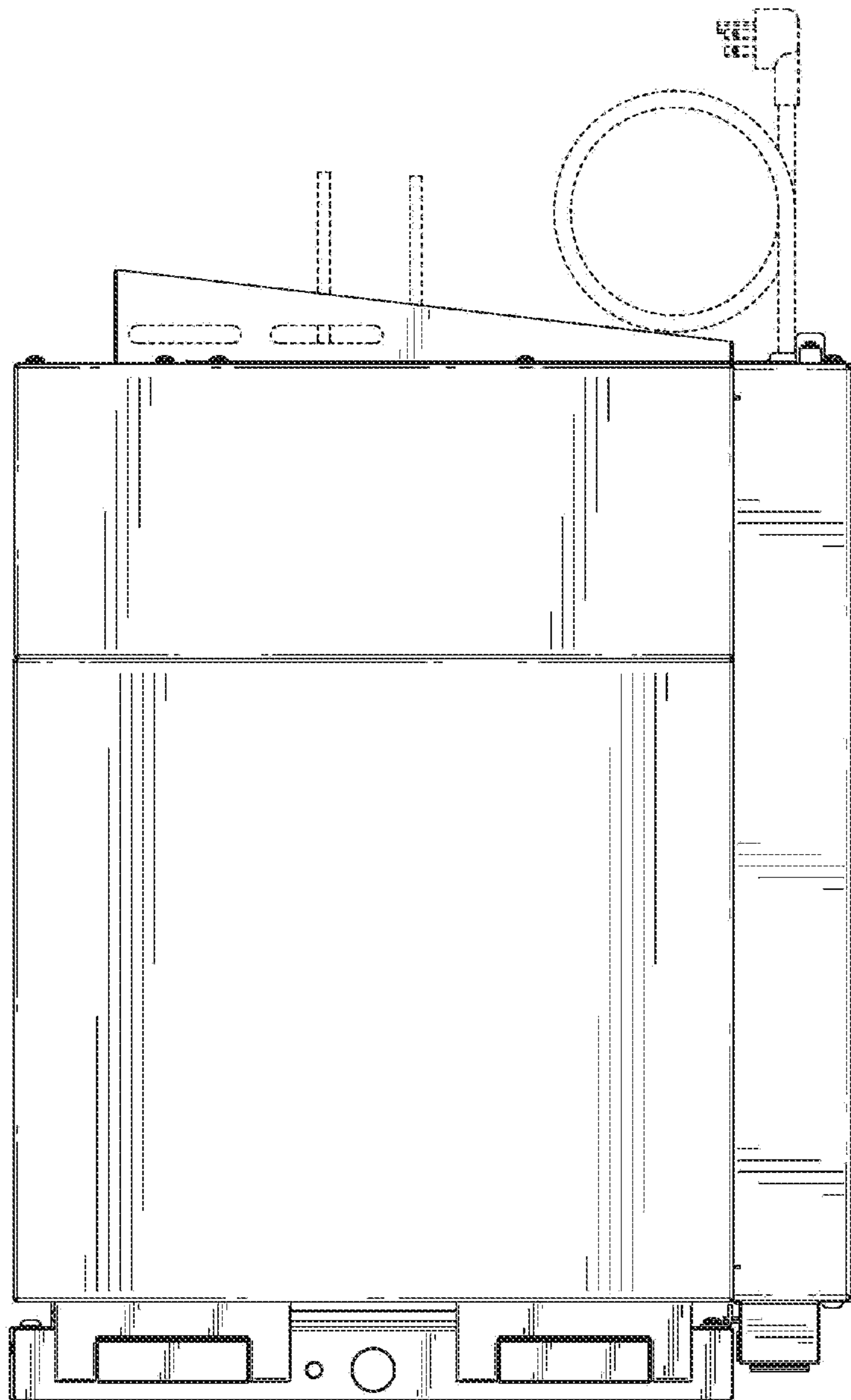


FIG. 5

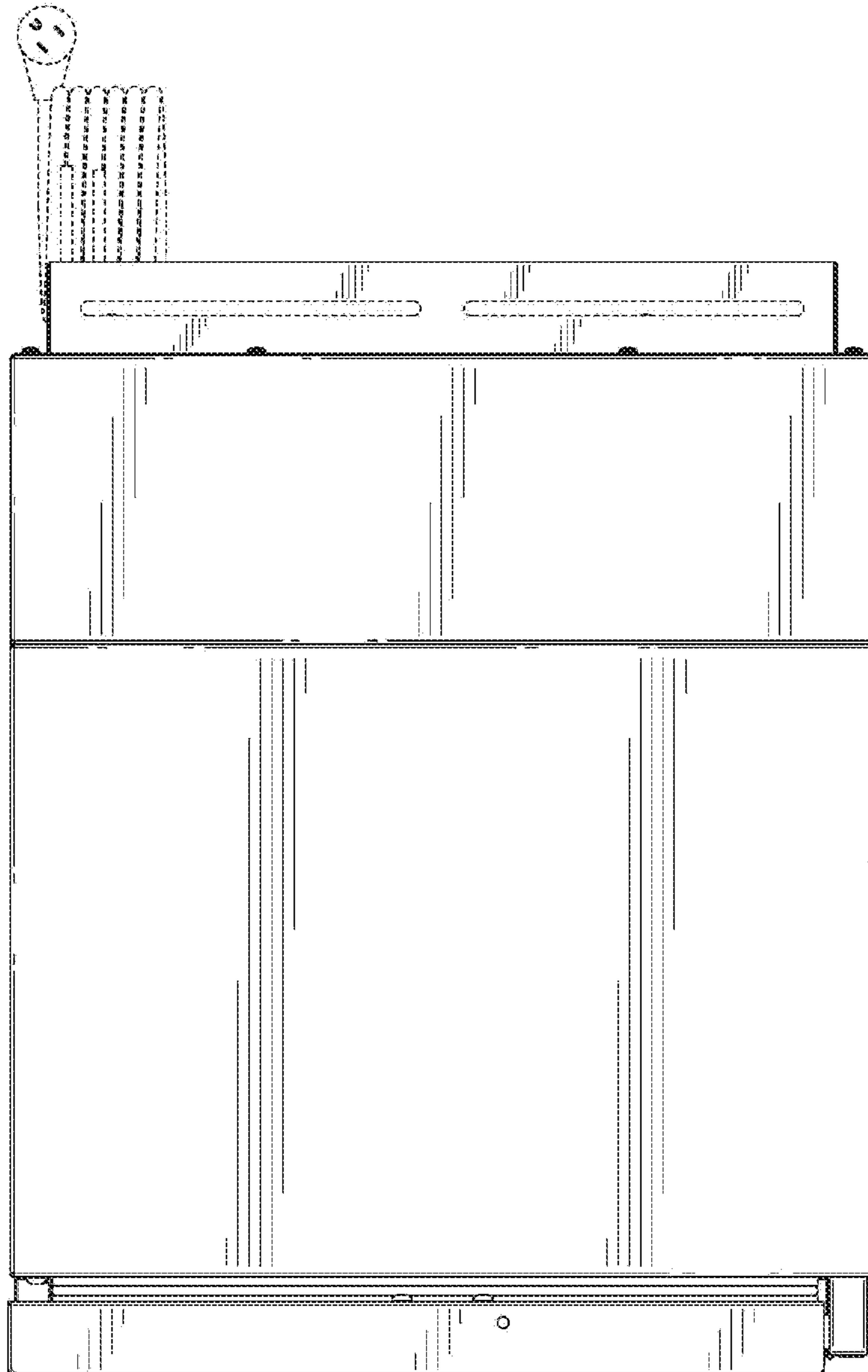


FIG. 6

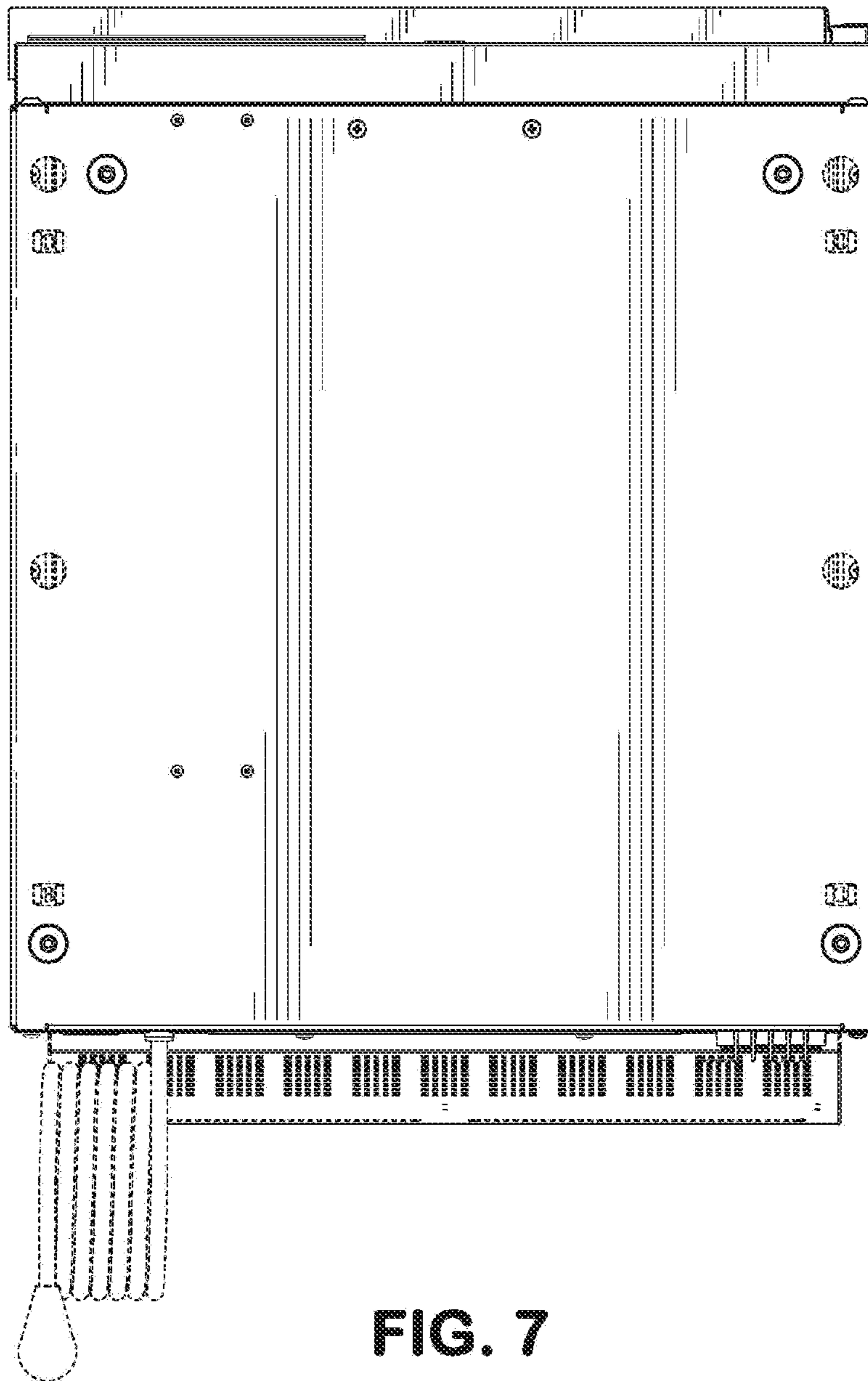


FIG. 7