



US00D774563S

(12) **United States Design Patent** (10) **Patent No.:** **US D774,563 S**  
**Edwards** (45) **Date of Patent:** **\*\* Dec. 20, 2016**

(54) **CONSTRUCTION MATERIALS CONTAINER**

D601,174 S \* 9/2009 TerBeek ..... D15/28  
D720,113 S \* 12/2014 Frye ..... D34/35  
D721,743 S \* 1/2015 Taylor ..... D15/21

(71) Applicant: **Travis Edwards**, San Antonio, TX  
(US)

\* cited by examiner

(72) Inventor: **Travis Edwards**, San Antonio, TX  
(US)

*Primary Examiner* — Mark Goodwin  
(74) *Attorney, Agent, or Firm* — Robert L. McRae; Gunn,  
Lee & Cave, P.C.

(\*\*) Term: **15 Years**

(21) Appl. No.: **29/529,793**

(57) **CLAIM**

(22) Filed: **Jun. 10, 2015**

An ornamental design for a construction materials container,  
as shown and described.

(51) **LOC (10) Cl.** ..... **15-03**

(52) **U.S. Cl.**  
USPC ..... **D15/28**

**DESCRIPTION**

(58) **Field of Classification Search**  
USPC ..... D15/10, 11, 13, 17, 21, 28;  
D12/407-414.1; 222/174, 614, 627;  
239/681-689; 53/255, 529, 567  
See application file for complete search history.

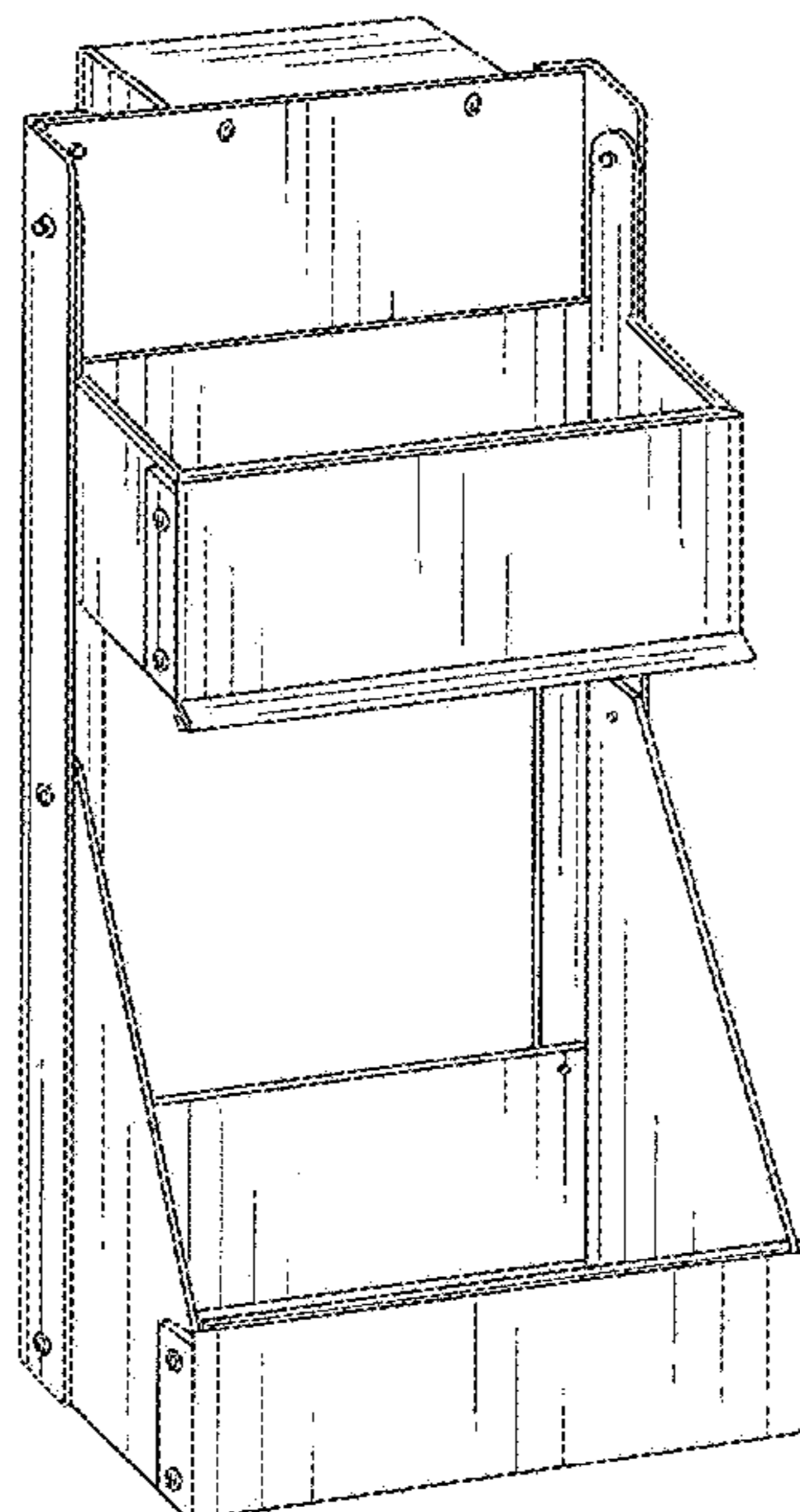
FIG. 1 is a left side view of the construction materials container showing my new design.  
FIG. 2 is a front view of the construction materials container showing my new design.  
FIG. 3 is a right side view of the construction materials container showing my new design.  
FIG. 4 is a rear view of the construction materials container showing my new design.  
FIG. 5 is a top view of the construction materials container showing my new design.  
FIG. 6 is a bottom view of the construction materials container showing my new design.; and,  
FIG. 7 is an elevated prospective view of the construction materials container showing my new design.  
The broken lines in FIG. 1 and FIG. 3 illustrate movement.

(56) **References Cited**

U.S. PATENT DOCUMENTS

D320,372 S \* 10/1991 Alberts ..... D12/414.1  
D338,893 S \* 8/1993 Simpson ..... D15/13  
D374,654 S \* 10/1996 Steketee ..... D12/414.1  
D389,976 S \* 1/1998 Burgess ..... D3/304  
D462,646 S \* 9/2002 McCoy ..... D12/413  
D476,341 S \* 6/2003 Booten ..... D15/17  
D481,351 S \* 10/2003 Brooks ..... D12/409  
D490,088 S \* 5/2004 Powell ..... D15/17  
D491,199 S \* 6/2004 Greene ..... D12/423  
D498,772 S \* 11/2004 Greene ..... D15/28  
D558,641 S \* 1/2008 Hanson, Jr. .... D12/16

**1 Claim, 4 Drawing Sheets**



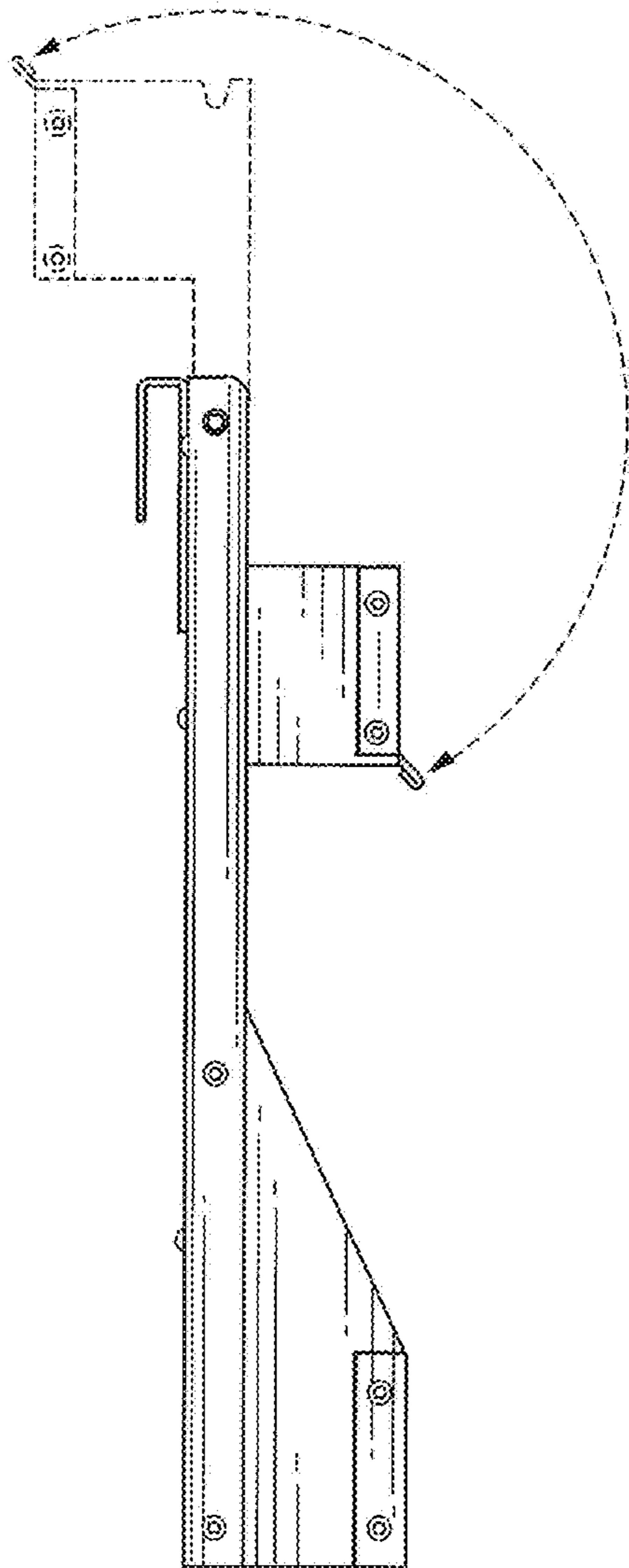


Fig. 1

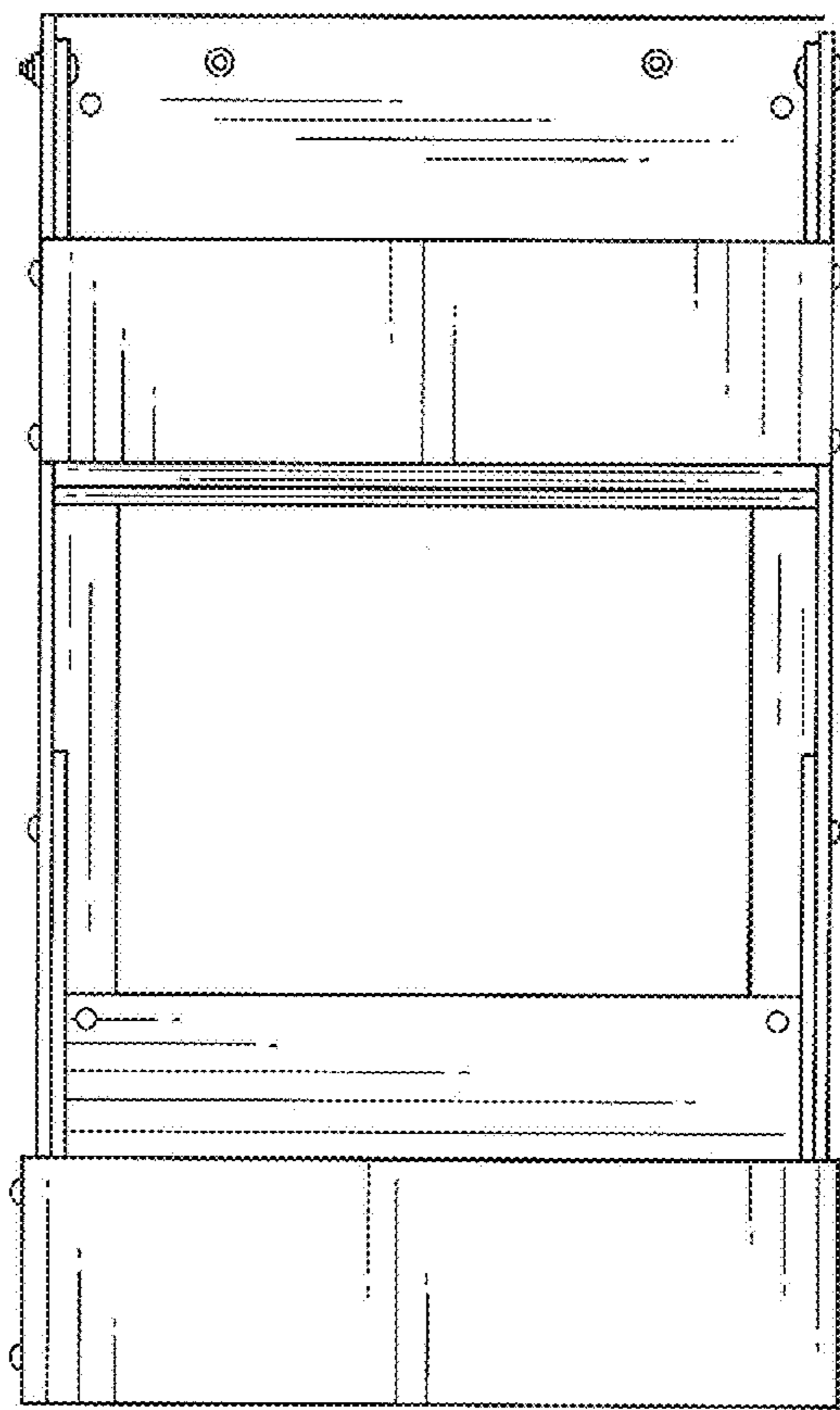


Fig. 2

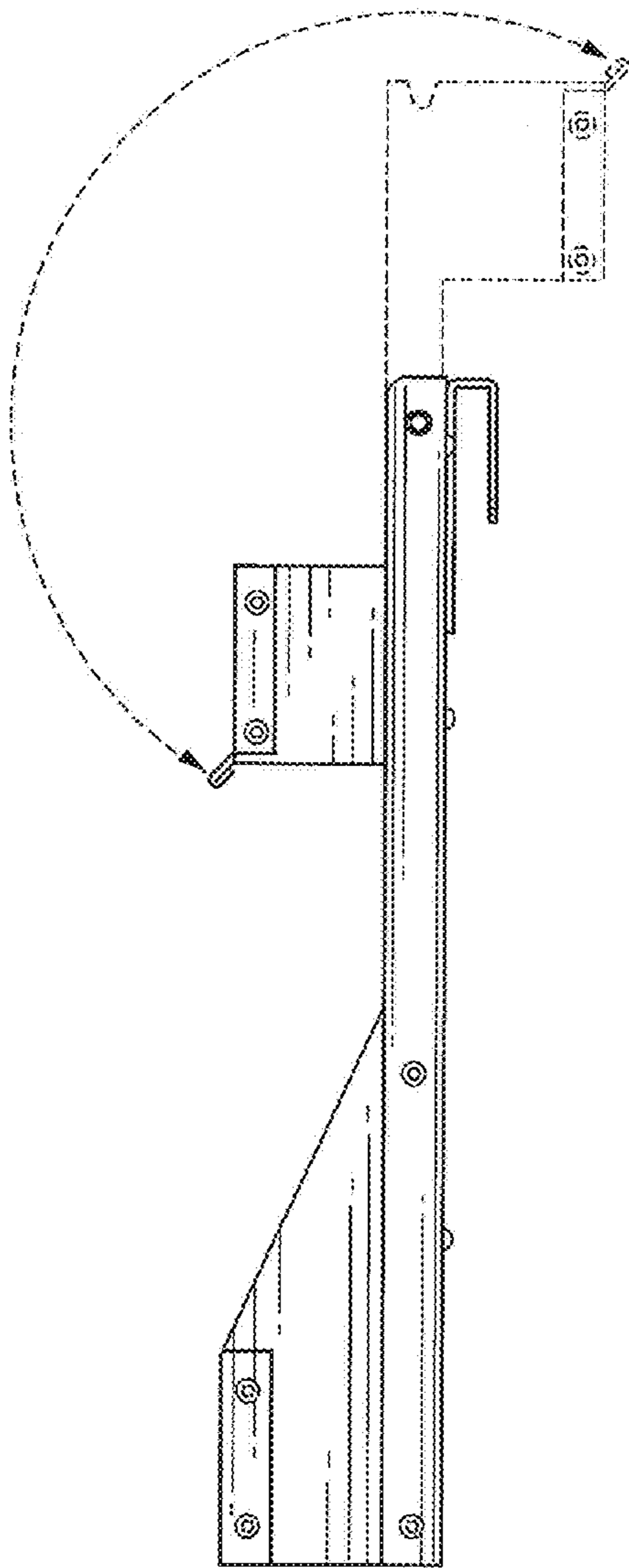


Fig. 3

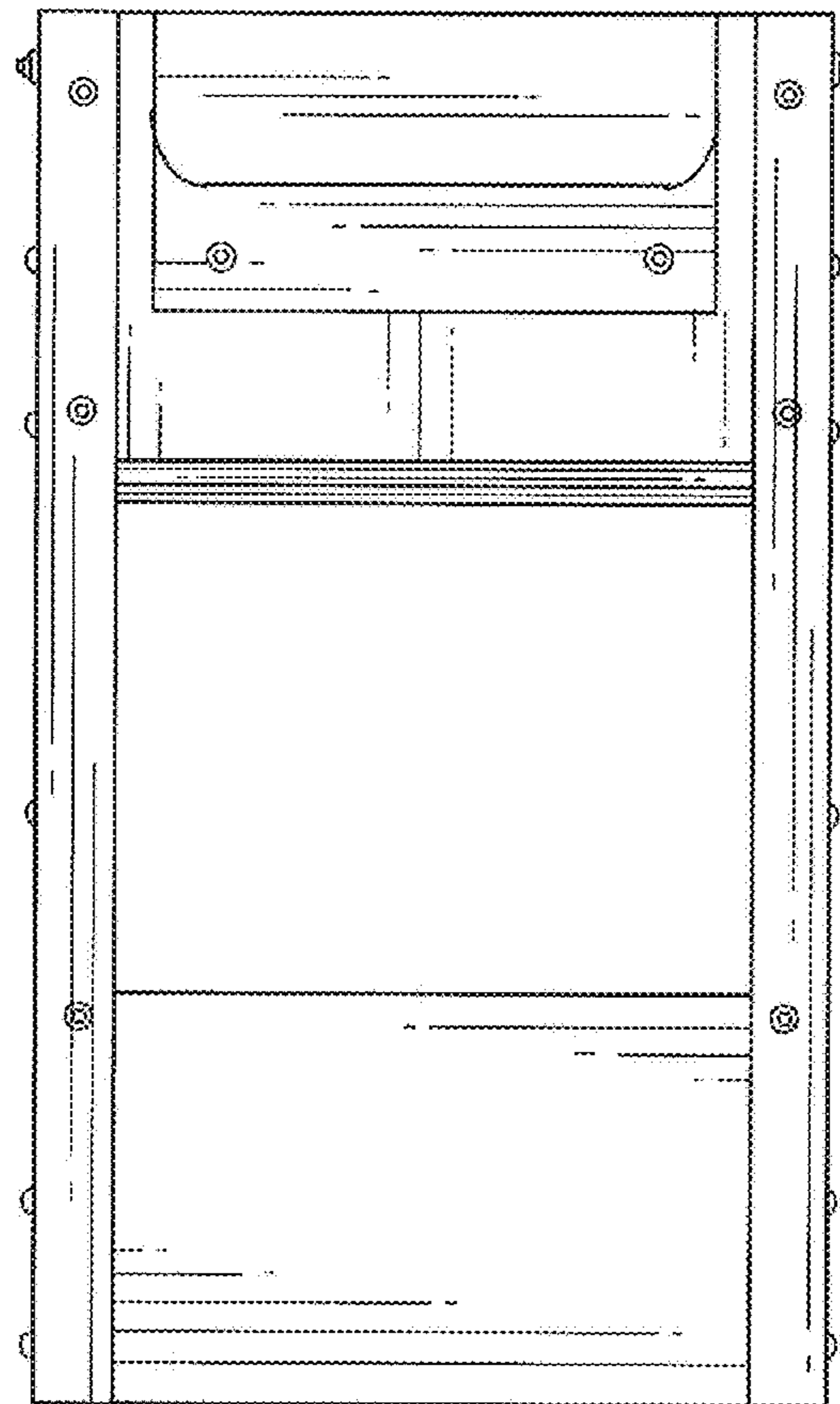
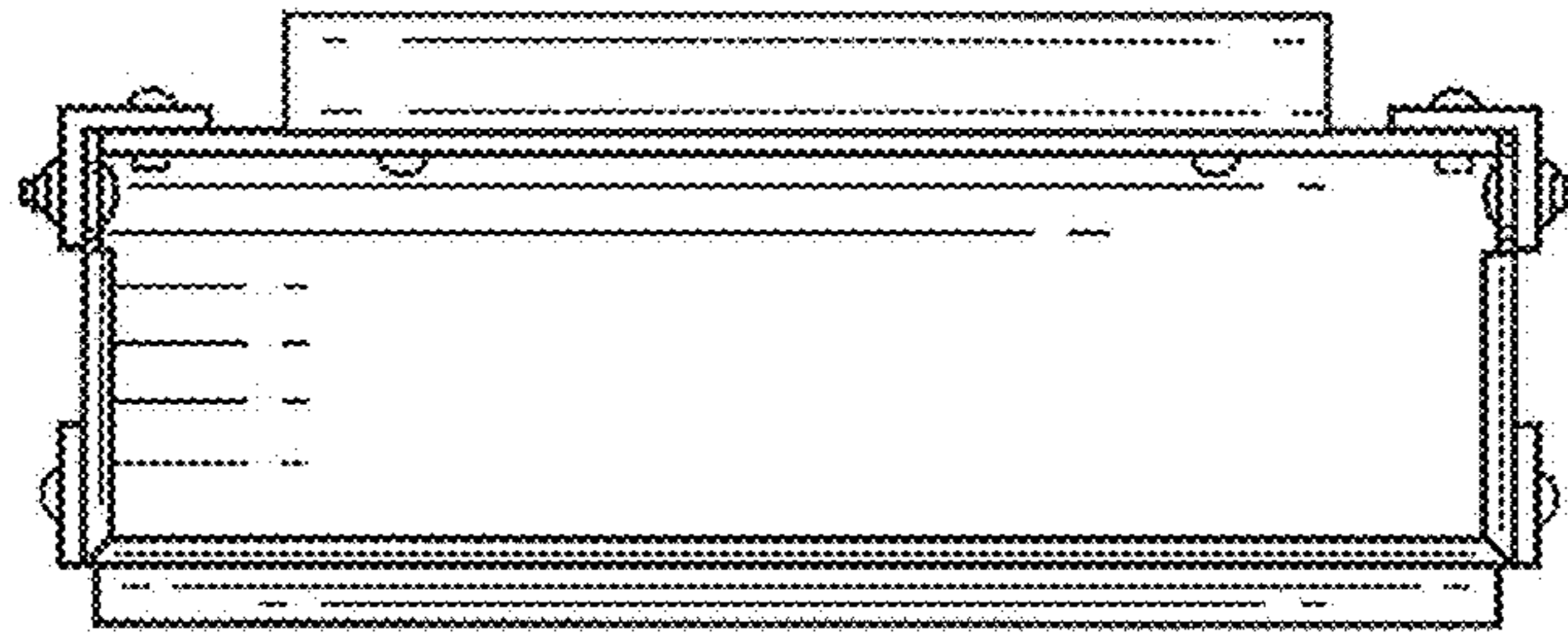


Fig. 4

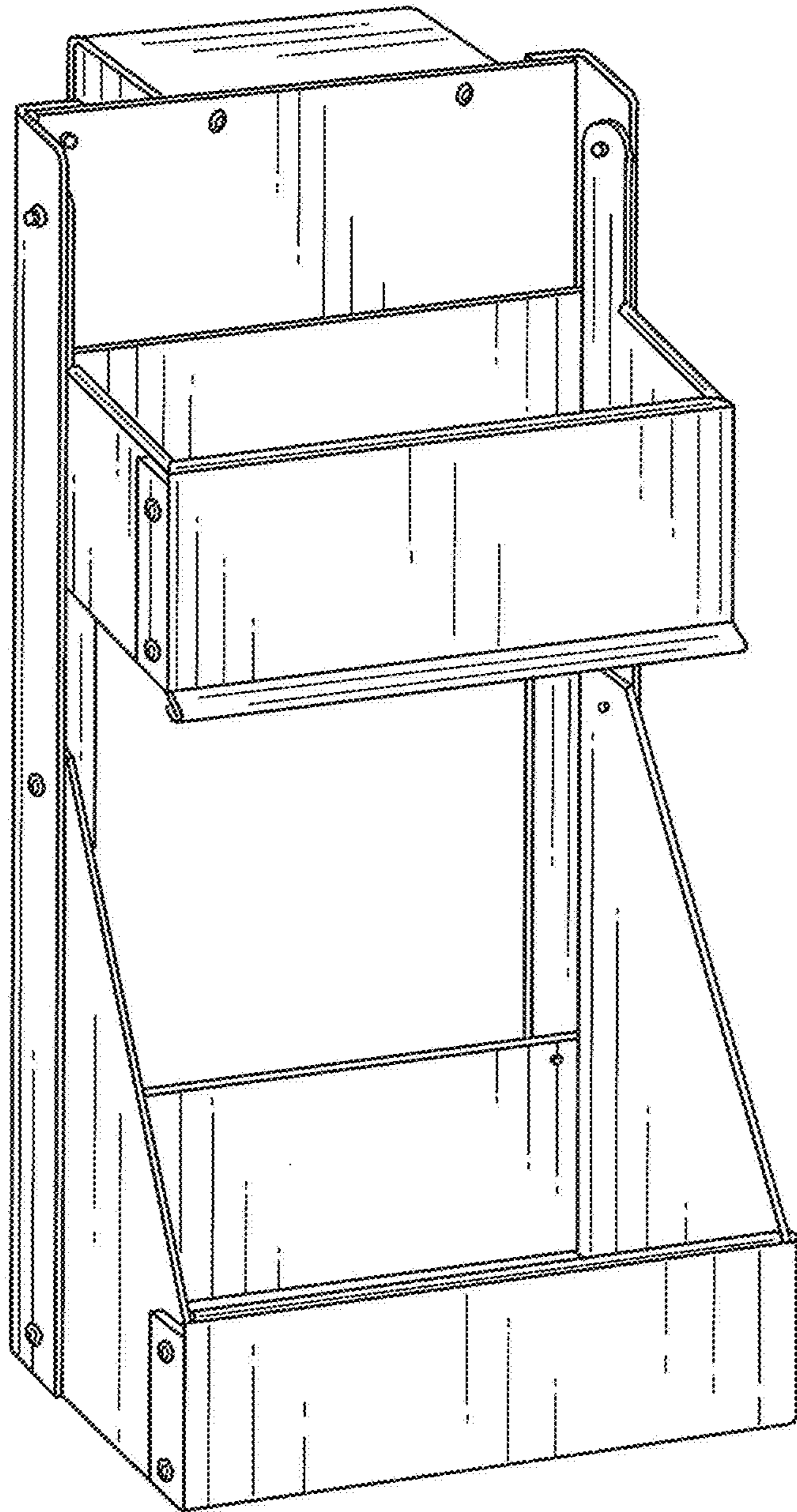


*Fig. 5*



*Fig. 6*





*Fig. 7*