



US00D774561S

(12) **United States Design Patent** (10) **Patent No.:** **US D774,561 S**  
**Loew** (45) **Date of Patent:** **\*\* Dec. 20, 2016**

(54) **COLD MILLING MACHINE**  
(71) Applicant: **BOMAG GmbH**, Boppard (DE)  
(72) Inventor: **Roland Loew**, Klein-Winternheim (DE)  
(73) Assignee: **BOMAG GmbH**, Boppard (DE)  
(\*\*) Term: **14 Years**  
(21) Appl. No.: **29/497,204**  
(22) Filed: **Jul. 22, 2014**

(30) **Foreign Application Priority Data**  
Jan. 24, 2014 (EM) ..... 002391128-0009  
(51) **LOC (10) Cl.** ..... **15-06**  
(52) **U.S. Cl.**  
USPC ..... **D15/28**  
(58) **Field of Classification Search**  
USPC ..... D15/22-26, 10, 28  
CPC ..... E01C 23/088; E01C 19/004; B28D 1/18  
See application file for complete search history.

(56) **References Cited**  
U.S. PATENT DOCUMENTS  
3,802,525 A \* 4/1974 Snow et al. .... 180/9.46  
3,946,506 A \* 3/1976 Snow et al. .... 37/382  
4,139,318 A \* 2/1979 Jakob et al. .... 404/90  
4,325,580 A \* 4/1982 Swisher et al. .... 299/39.8  
5,639,181 A \* 6/1997 Swisher, Jr. .... 299/39.1  
5,722,789 A \* 3/1998 Murray et al. .... 404/90  
7,144,192 B2 \* 12/2006 Holl et al. .... 404/93  
D626,573 S \* 11/2010 Koetting et al. .... D15/22  
D660,876 S \* 5/2012 Ewringmann ..... D15/22  
8,622,480 B2 \* 1/2014 Weckerly et al. .... 299/39.2

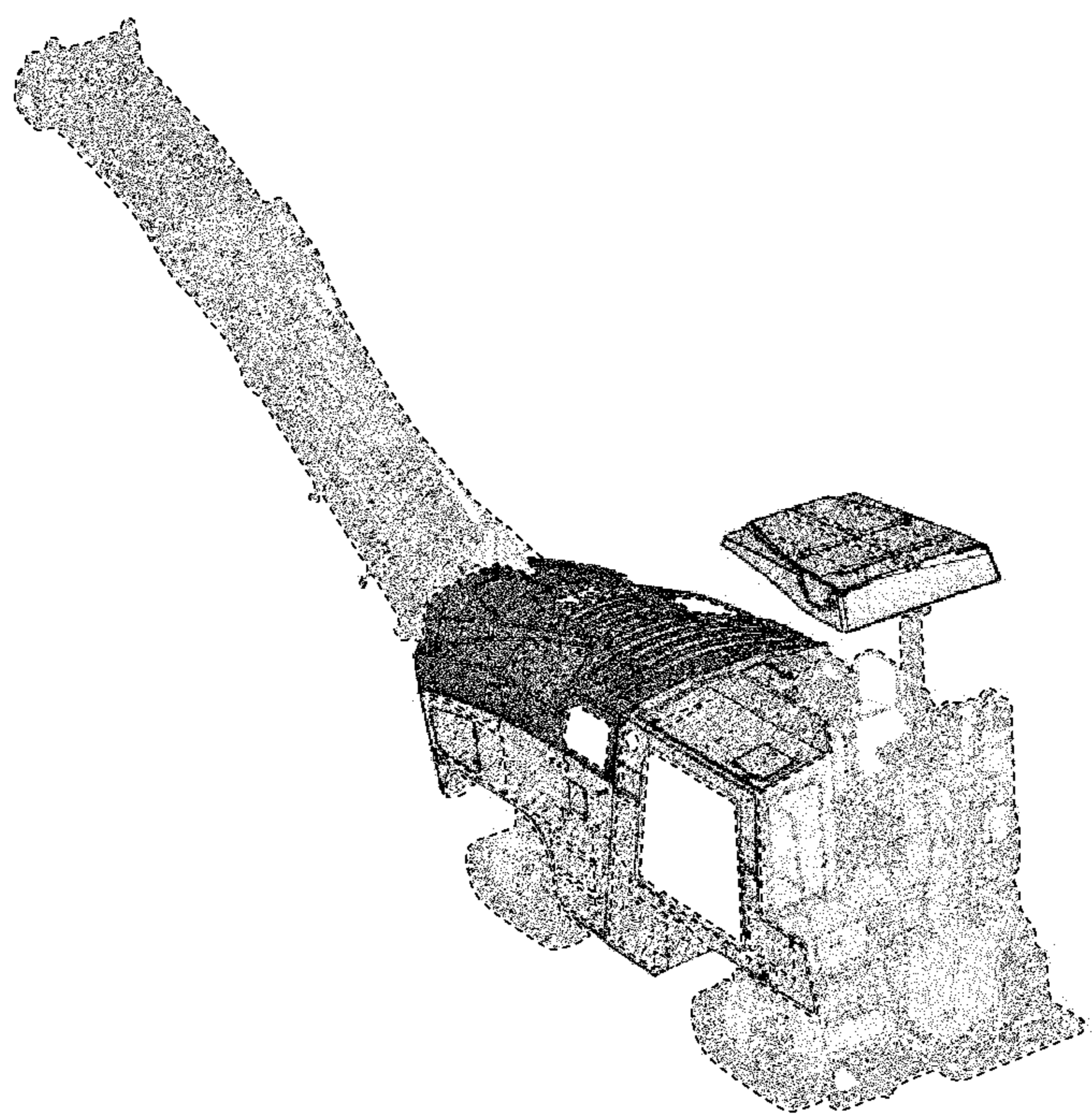
2009/0052987 A1 \* 2/2009 Hall et al. .... 404/90  
2009/0108663 A1 \* 4/2009 Berning et al. .... 299/1.5  
2009/0267402 A1 \* 10/2009 Berning et al. .... 299/39.4  
2013/0189032 A1 \* 7/2013 Bellerose et al. .... 404/75  
2014/0361599 A1 \* 12/2014 Losen et al. .... 299/39.2  
2015/0028653 A1 \* 1/2015 Ley et al. .... 299/18  
2015/0176230 A1 \* 6/2015 Berning et al. .... 299/18

\* cited by examiner  
*Primary Examiner* — Mitchell Siegel  
(74) *Attorney, Agent, or Firm* — Wood Herron & Evans LLP

(57) **CLAIM**  
The ornamental design for a cold milling machine, as shown and described.

**DESCRIPTION**  
FIG. 1 is a front top perspective view of a cold milling machine showing my new design;  
FIG. 2 is a top perspective view thereof;  
FIG. 3 is a front perspective view thereof;  
FIG. 4 is a left side perspective view thereof;  
FIG. 5 is a right side perspective view thereof;  
FIG. 6 is a rear right perspective view thereof; and,  
FIG. 7 is a rear left perspective view thereof.  
The portions of the figures shown in a lighter, de-emphasized dithered pattern, along with the broken dash perimeter lines around said portions, illustrate portions of the cold milling machine that form no part of the claimed design. The broken dash lines in the figures comprise portions of the cold milling machine that form no part of the claimed design. Neither the de-emphasized portions adjacent the broken dash perimeter lines nor the broken dash lines themselves forms any part of the claimed invention.

**1 Claim, 7 Drawing Sheets**



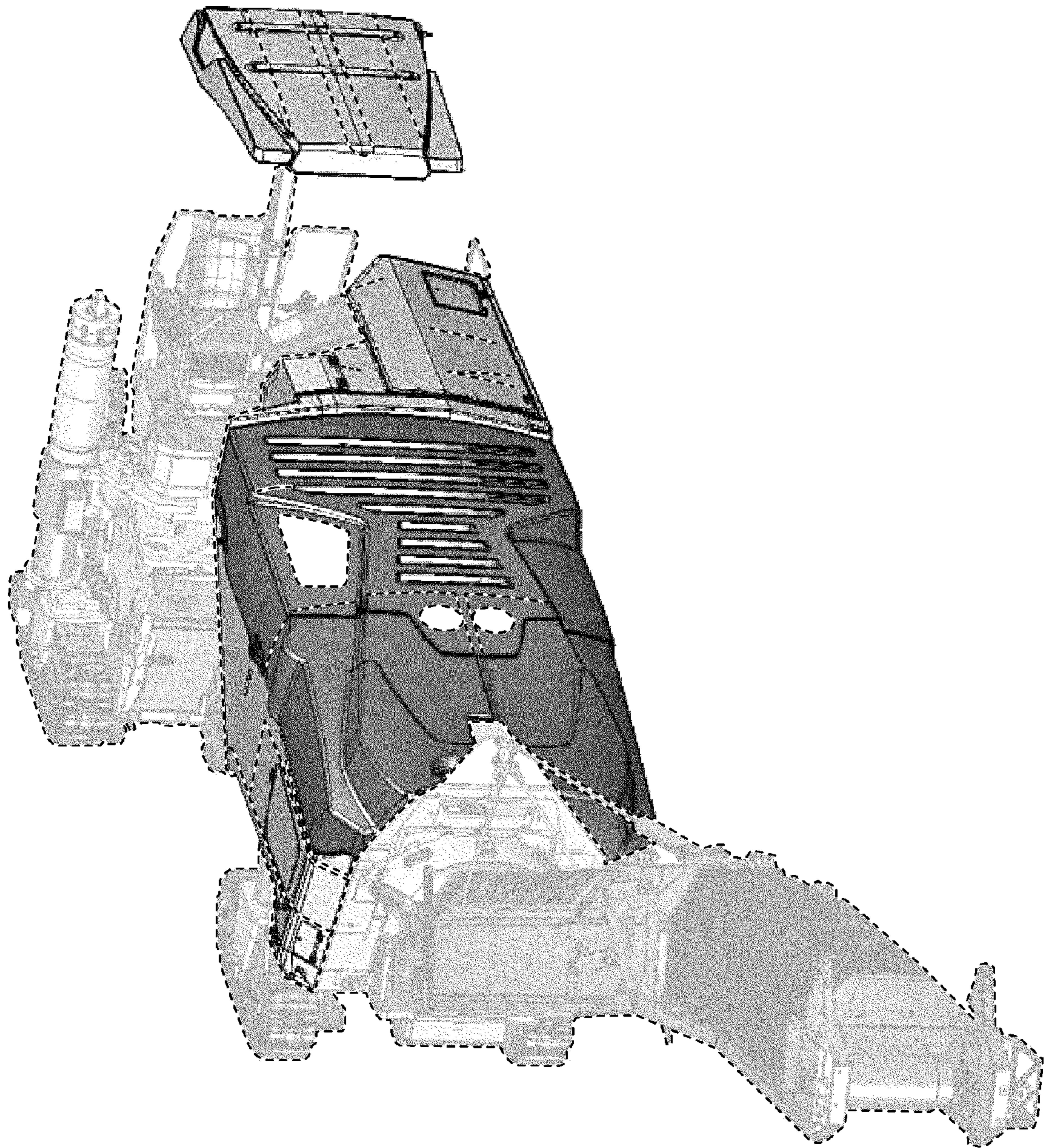


FIG. 1

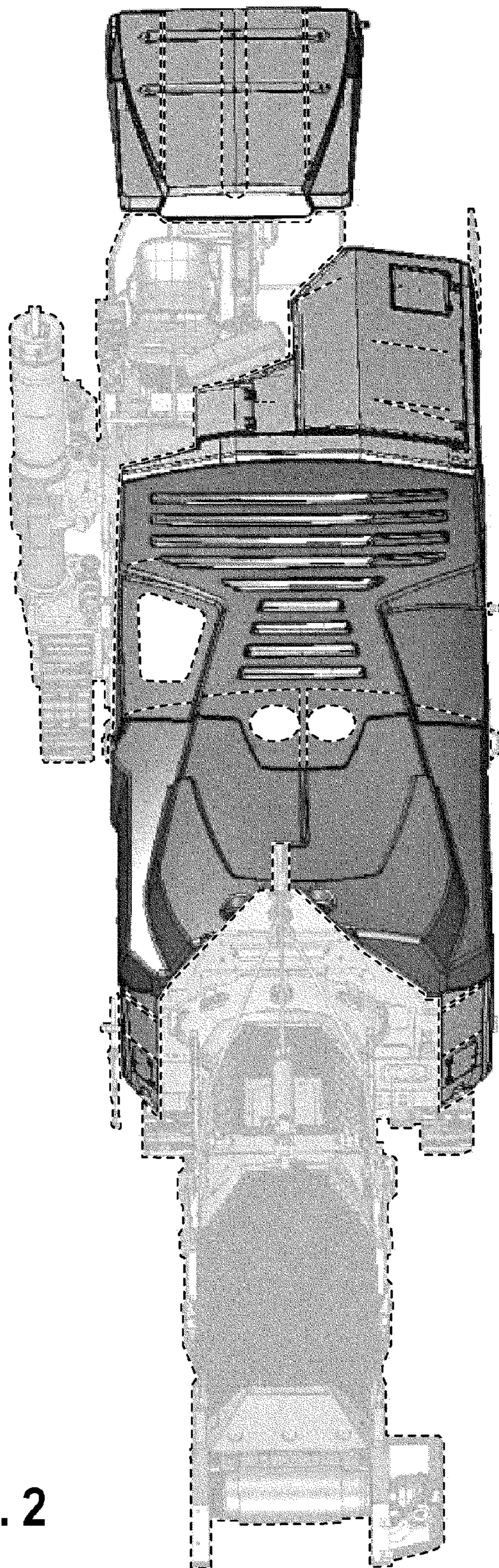


FIG. 2

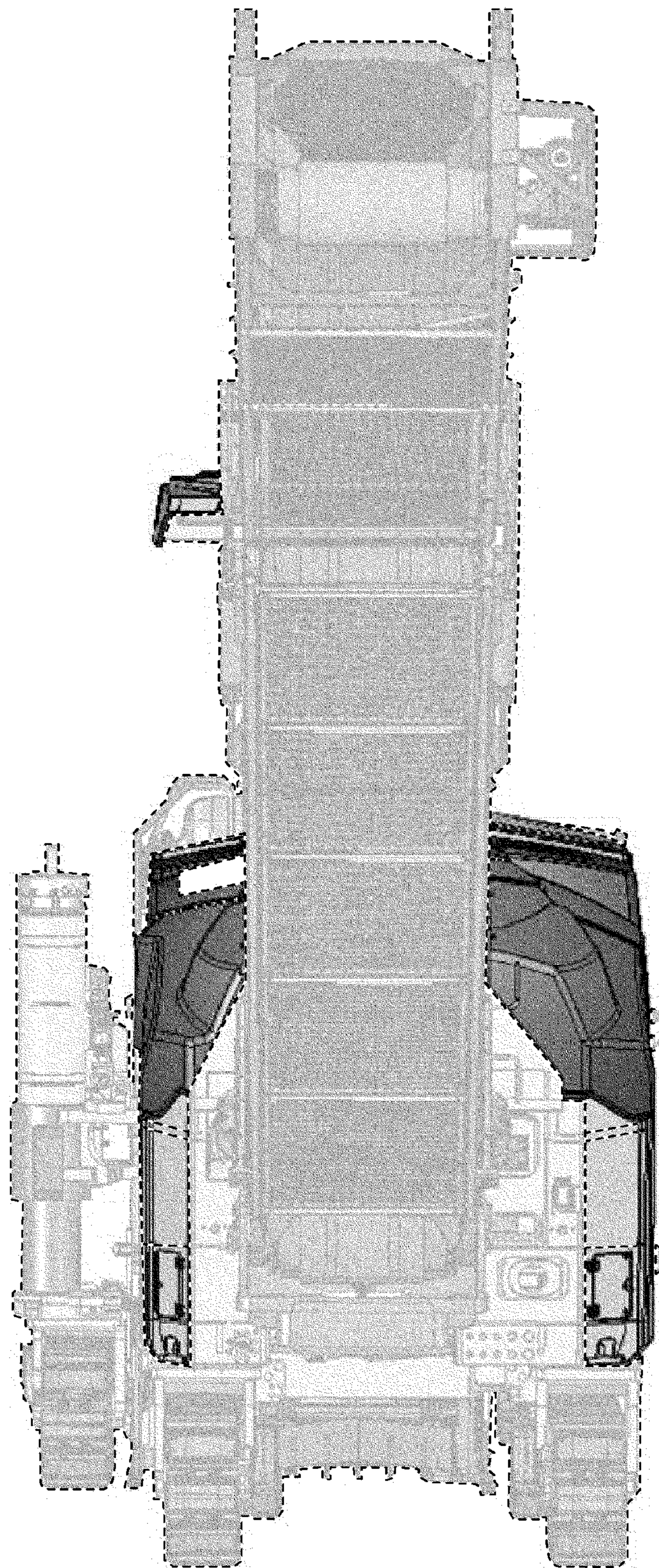


FIG. 3

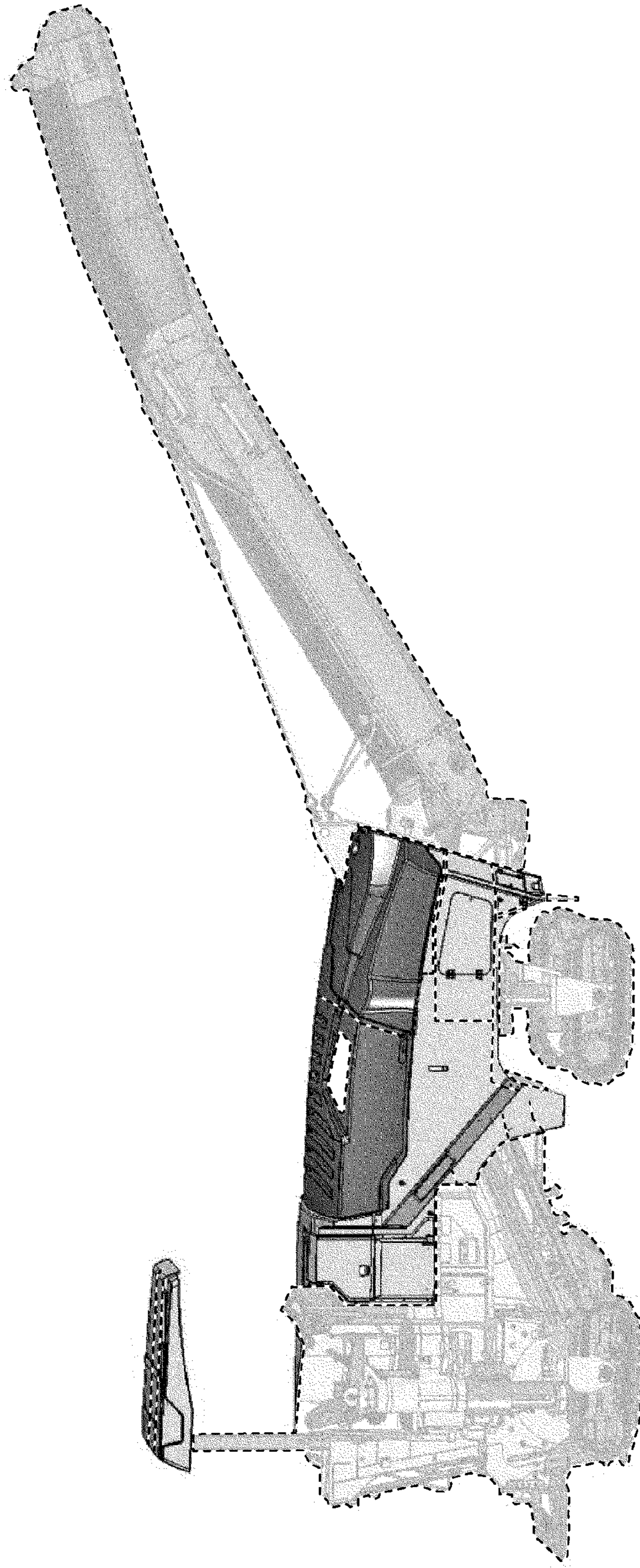


FIG. 4

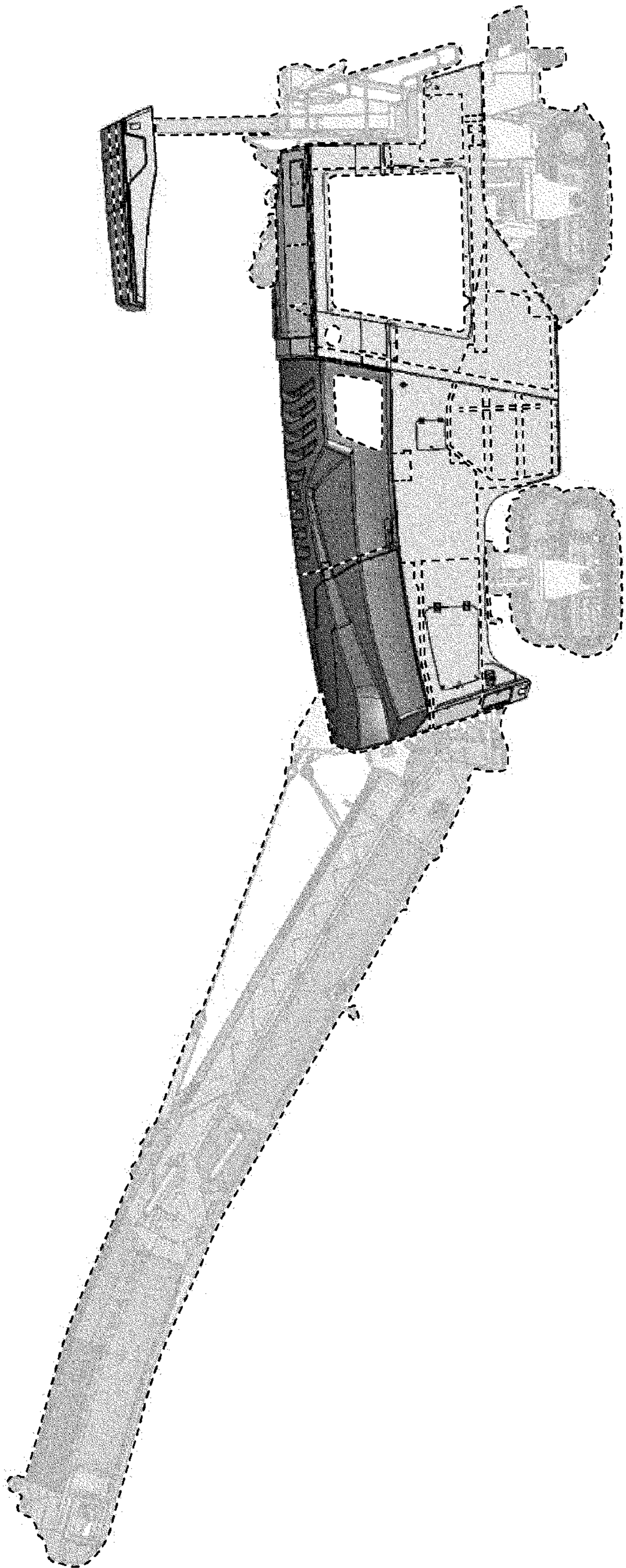


FIG. 5

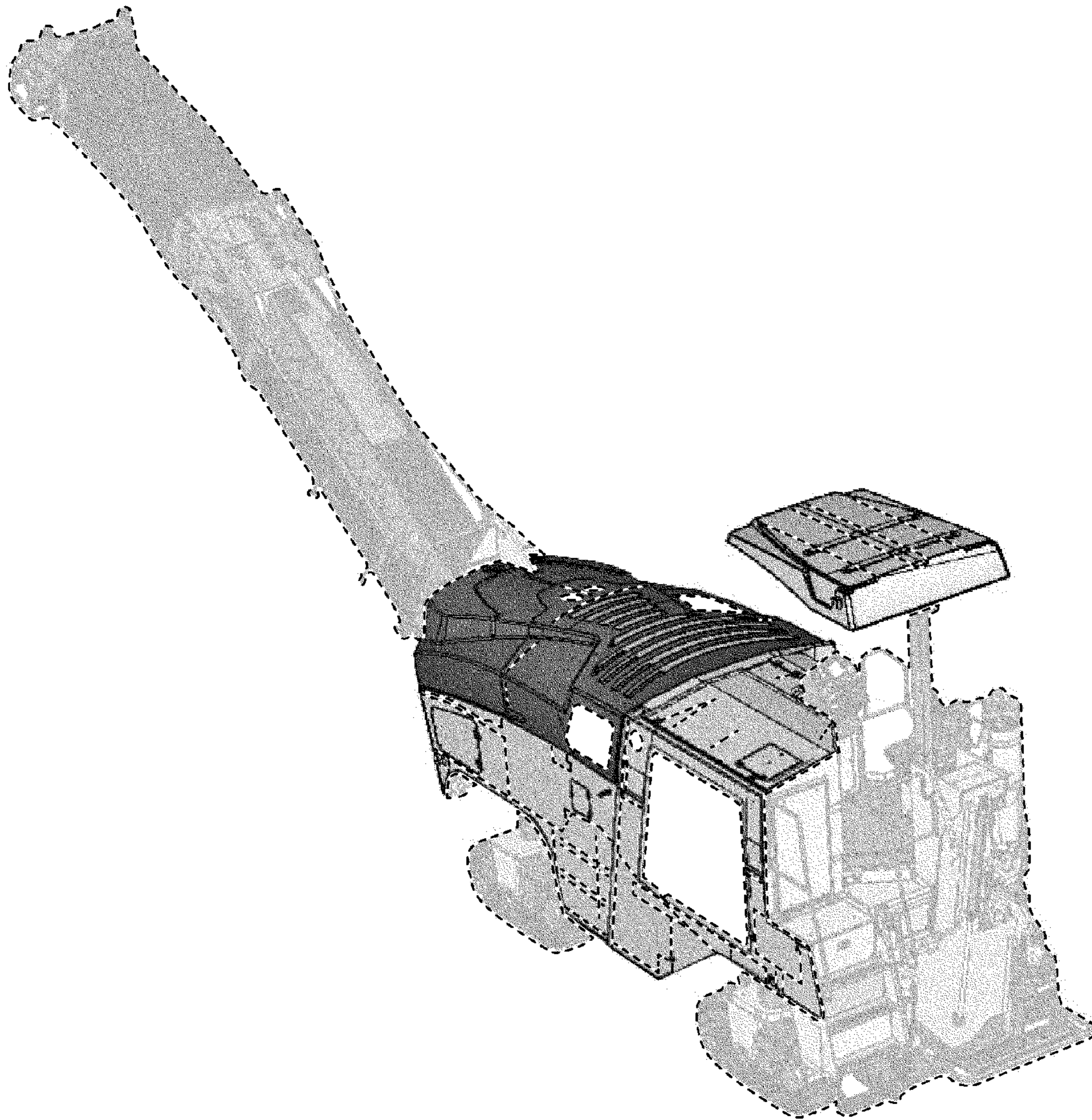


FIG. 6

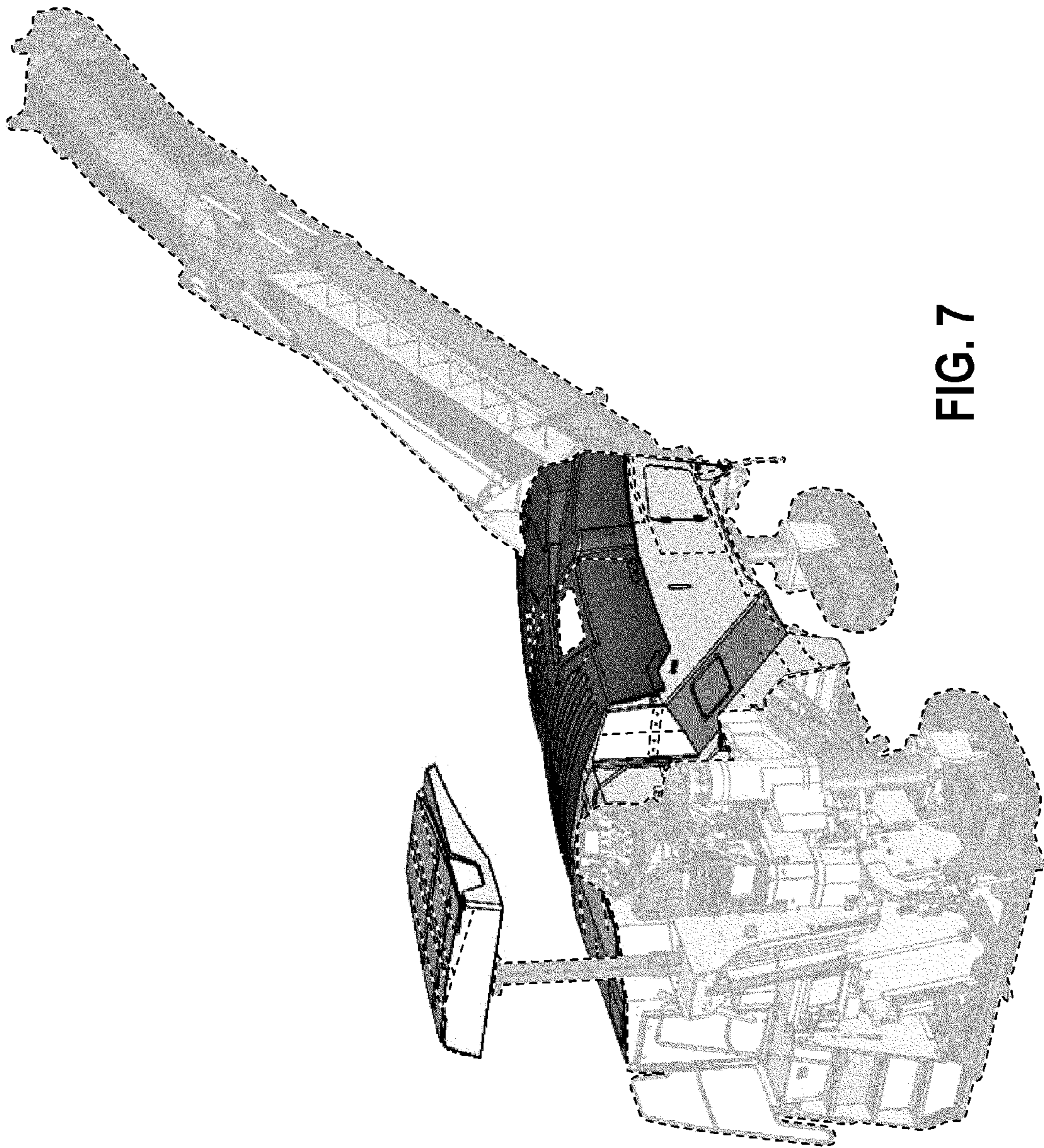


FIG. 7