



US00D774560S

(12) **United States Design Patent**
Roetsch

(10) **Patent No.:** **US D774,560 S**

(45) **Date of Patent:** **** Dec. 20, 2016**

- (54) **BASE FOR A LONG SIDE PLATE**
- (71) Applicant: **BOMAG GmbH**, Boppard (DE)
- (72) Inventor: **Helmut Roetsch**, Beltheim (DE)
- (73) Assignee: **BOMAG GmbH**, Boppard (DE)
- (**) Term: **14 Years**

8,128,177 B2 * 3/2012 Menzenbach E01C 23/088
299/1.5
D689,101 S * 9/2013 Jost D15/28
D712,937 S * 9/2014 Wennerborn D15/28
8,915,550 B2 * 12/2014 Jeevanantham E01C 23/088
299/39.2
D726,775 S * 4/2015 Ley D15/28
D726,776 S * 4/2015 Ley D15/28
D726,777 S * 4/2015 Ley D15/28
2009/0232598 A1 * 9/2009 Cochran E01C 23/088
404/86

(21) Appl. No.: **29/497,201**

(22) Filed: **Jul. 22, 2014**

(30) **Foreign Application Priority Data**

Jan. 24, 2014 (EM) 002391128-0008

(51) **LOC (10) Cl.** **15-03**

(52) **U.S. Cl.**
USPC **D15/28**

(58) **Field of Classification Search**
USPC D15/19, 28, 29, 35
CPC E01C 23/088; E01C 23/08; E01C 23/09
See application file for complete search history.

(56) **References Cited**

U.S. PATENT DOCUMENTS

6,623,083 B1 * 9/2003 Risi E01C 23/088
299/39.4
D554,157 S * 10/2007 Renski D15/28
D576,181 S * 9/2008 Busley D15/28
7,665,806 B2 * 2/2010 Rotz E01C 23/088
299/39.4

* cited by examiner

Primary Examiner — Phillip S Hyder

(74) *Attorney, Agent, or Firm* — Wood Herron & Evans LLP

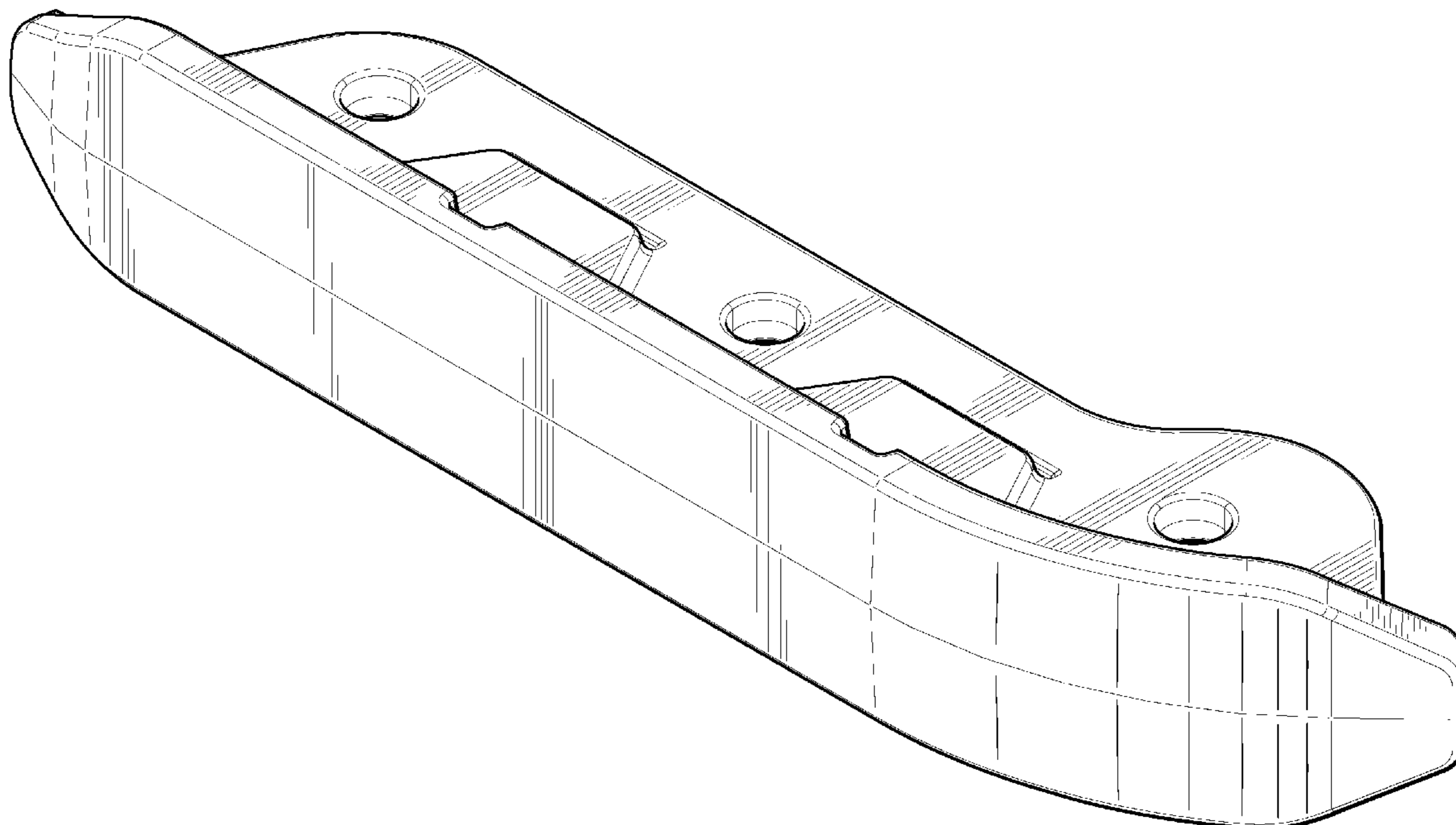
(57) **CLAIM**

The ornamental design for a base for a long side plate, as shown and described.

DESCRIPTION

FIG. 1 is a front elevational view of a base for a long side plate showing my new design;
FIG. 2 is a rear elevational view thereof;
FIG. 3 is a top front isometric view thereof;
FIG. 4 is a top rear isometric view thereof;
FIG. 5 is a right side elevational view thereof;
FIG. 6 is a bottom plan view thereof; and,
FIG. 7 is a top plan view thereof.

1 Claim, 7 Drawing Sheets



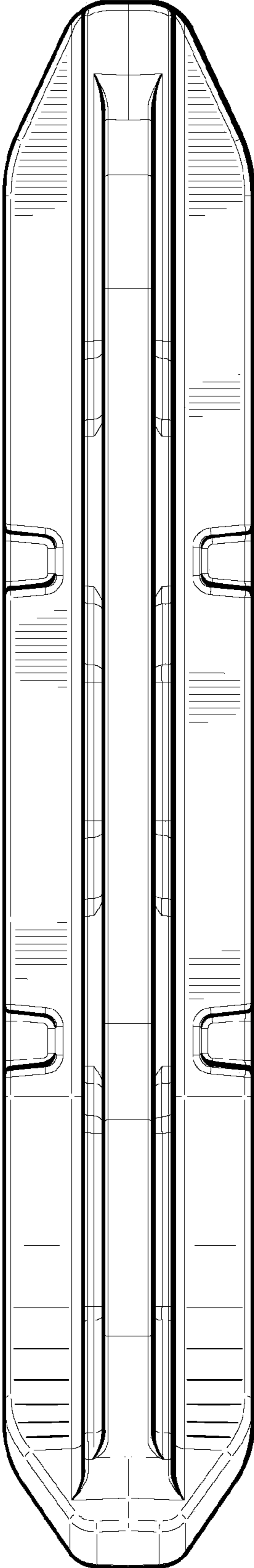


FIG. 1

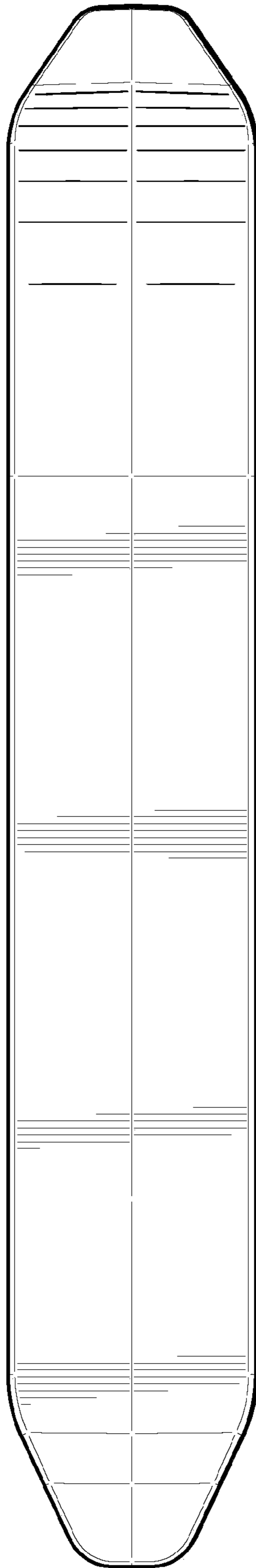


FIG. 2

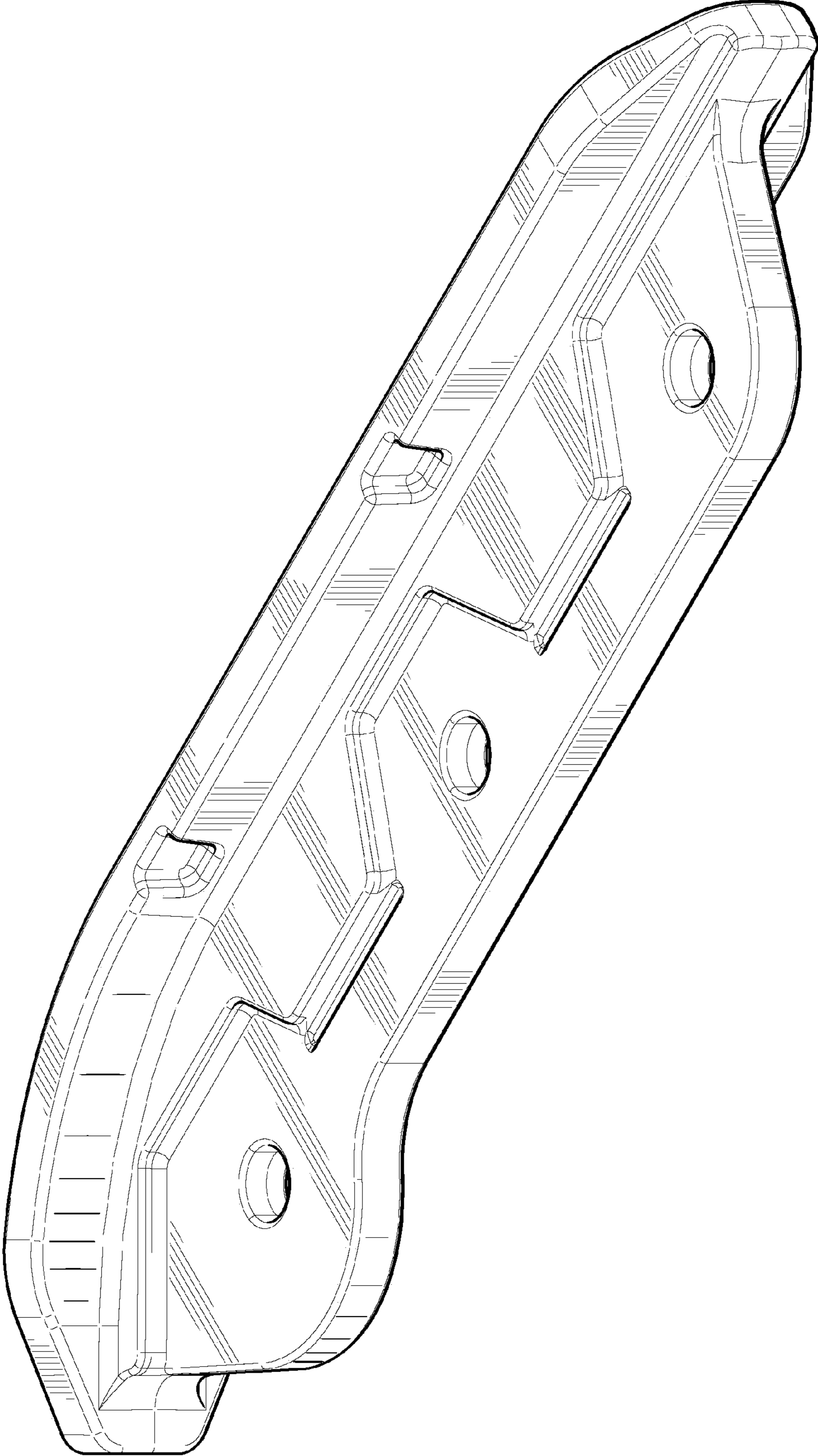


FIG. 3

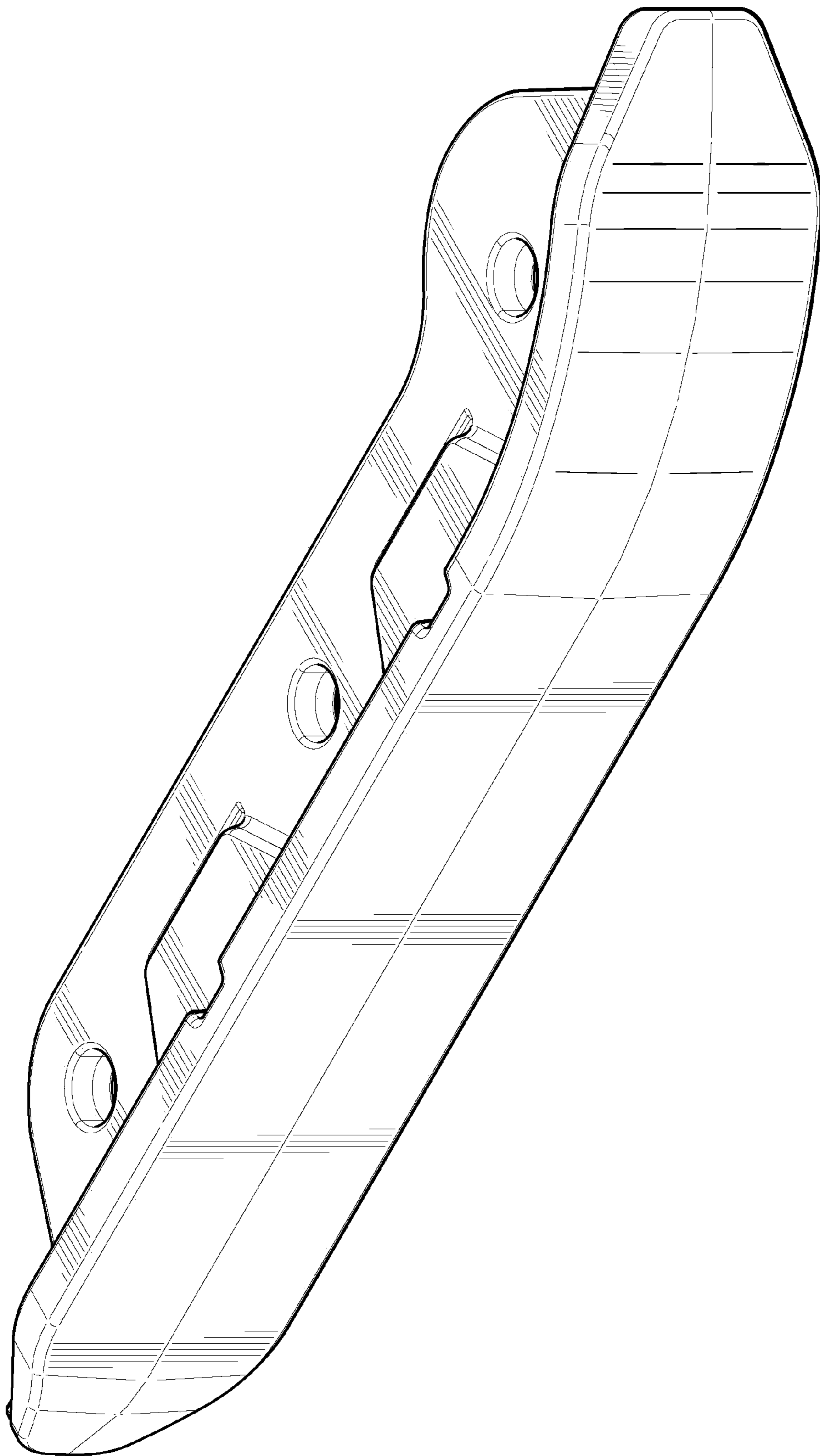


FIG. 4

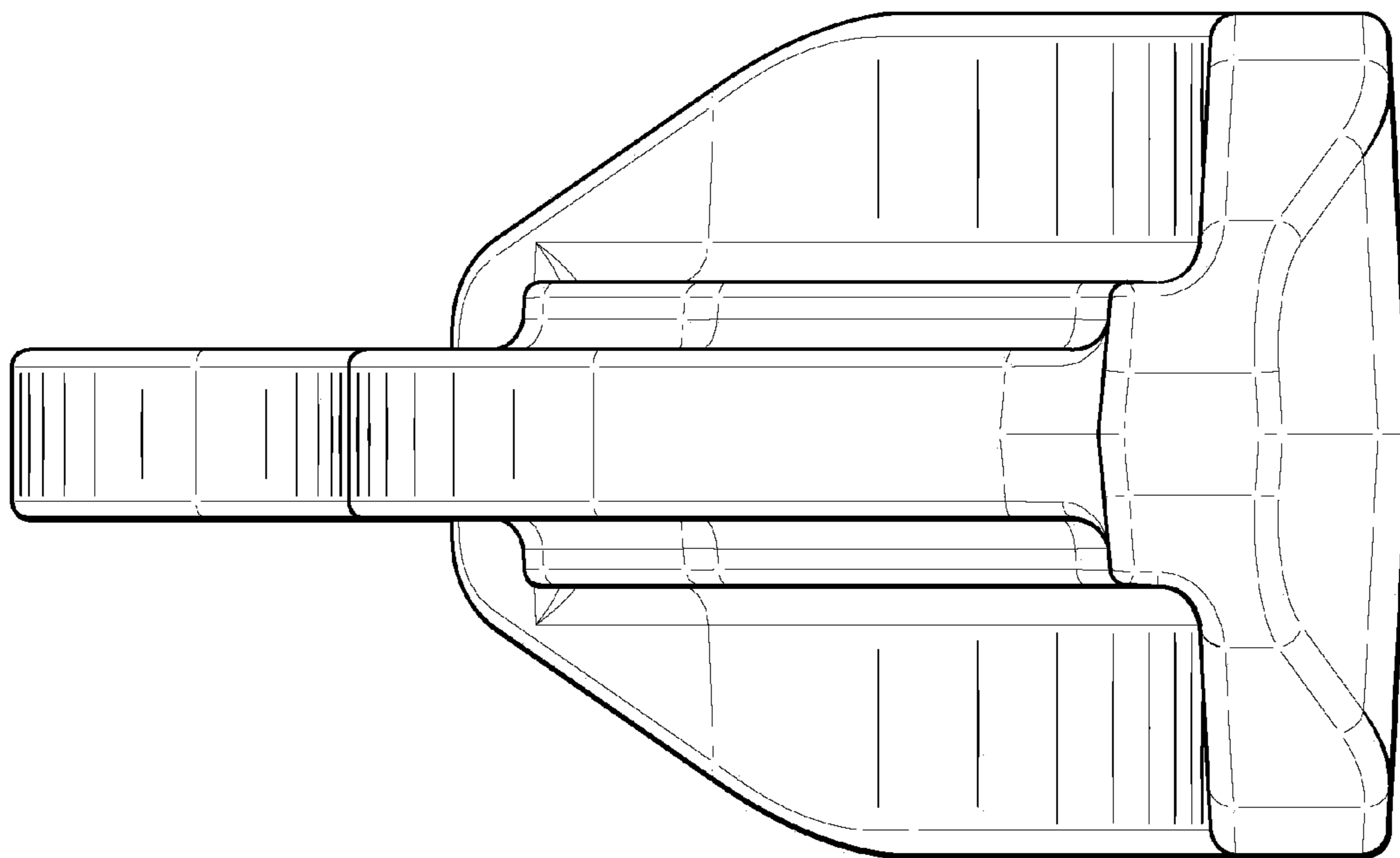


FIG. 5

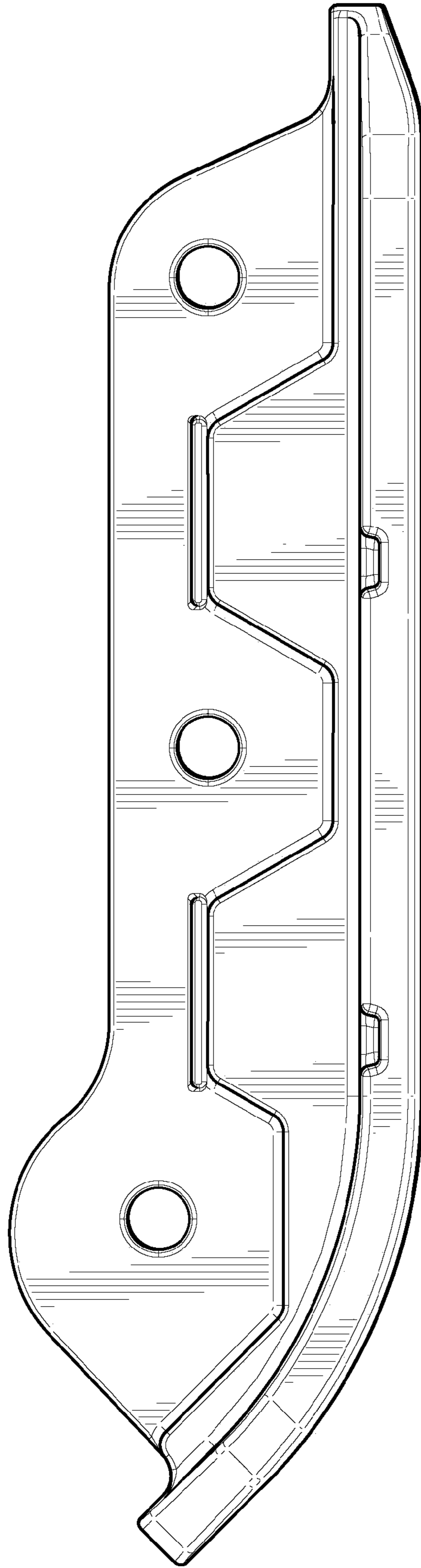


FIG. 6

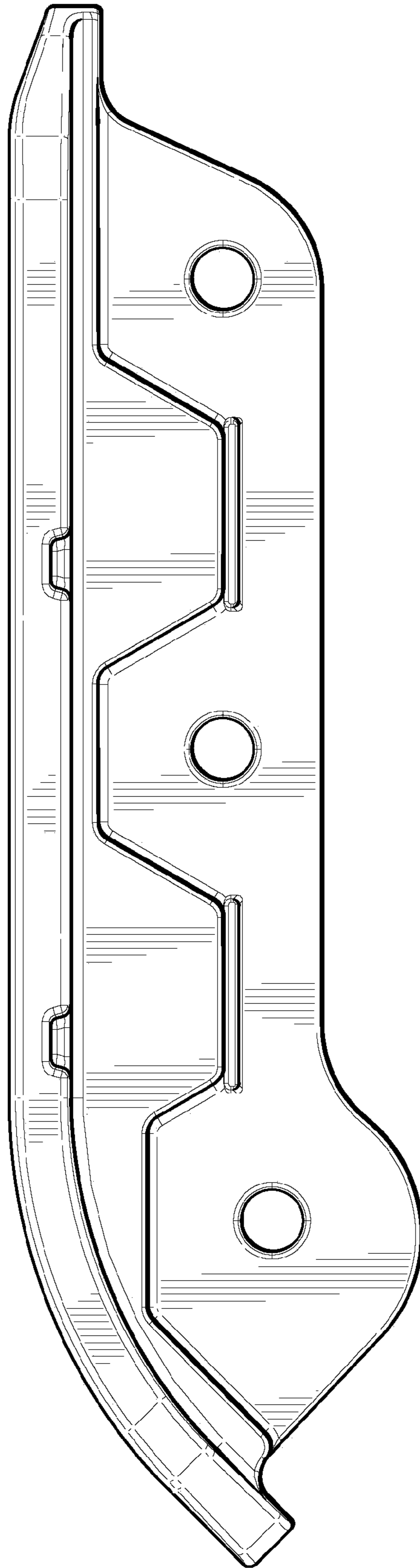


FIG. 7