



US00D774558S

(12) **United States Design Patent**
Sasaki et al.

(10) **Patent No.:** **US D774,558 S**

(45) **Date of Patent:** **** Dec. 20, 2016**

(54) **RIDING LAWN MOWER**

(71) Applicant: **Kubota Corporation**, Osaka (JP)

(72) Inventors: **Wataru Sasaki**, Sakai (JP); **Hideya Umemoto**, Sakai (JP)

(73) Assignee: **Kubota Corporation**, Osaka (JP)

(**) Term: **15 Years**

(21) Appl. No.: **29/539,004**

(22) Filed: **Sep. 10, 2015**

(51) **LOC (10) Cl.** **12-09**

(52) **U.S. Cl.**
USPC **D15/17**

(58) **Field of Classification Search**
USPC D15/10, 11, 15, 17, 22, 23, 25, 26, 28,
D15/30; D12/174, 176, 415, 421
CPC E02F 9/0841; E02F 3/3411; E02F 3/76;
E02F 3/34; E02F 3/00; E02F 7/00; E02F
9/16; E02F 9/163; B66C 13/54; B60J
7/00; B60J 1/004; B62D 33/0617; B62D
49/00; B62D 49/0815; B62D
21/186; B62D 53/028; B62D
33/00; B62D 33/06; B62D 33/0633;
B62D 25/00

See application file for complete search history.

(56) **References Cited**

U.S. PATENT DOCUMENTS

D516,096 S * 2/2006 Bergman D15/28
D516,097 S * 2/2006 Bergman D15/28
D516,588 S * 3/2006 Higashikawa D15/28
D529,052 S * 9/2006 Dolesh D15/28

D532,427 S * 11/2006 Kim D15/28
D539,311 S * 3/2007 Honda D15/28
D543,558 S * 5/2007 Dolesh D15/28
D546,841 S * 7/2007 McCarren, Jr. D15/28
D560,690 S 1/2008 Higashikawa
D562,350 S 2/2008 Higashikawa
D640,293 S * 6/2011 Ono D15/28
D683,369 S * 5/2013 Takagi D15/17
D683,370 S * 5/2013 Takagi D15/17

OTHER PUBLICATIONS

“Commercial Mowers Z300 Series,” Kubota Corporation, p. 26-29, Jan. 14, 2014.

* cited by examiner

Primary Examiner — Ian Simmons

Assistant Examiner — Khawaja Anwar

(74) *Attorney, Agent, or Firm* — The Webb Law Firm

(57) **CLAIM**

The ornamental design for a riding lawn mower, as shown and described.

DESCRIPTION

FIG. 1 is a front view of a riding lawn mower showing our new design;

FIG. 2 is a rear view thereof;

FIG. 3 is a left side view thereof;

FIG. 4 is a right side view thereof;

FIG. 5 is a top view thereof;

FIG. 6 is an upper right perspective view thereof;

FIG. 7 is an enlarged view of a portion of FIG. 5; and,

FIG. 8 is an enlarged view of a portion of FIG. 6.

The broken lines shown in the drawings represent unclaimed environment only and form no part of the claimed design.

1 Claim, 8 Drawing Sheets

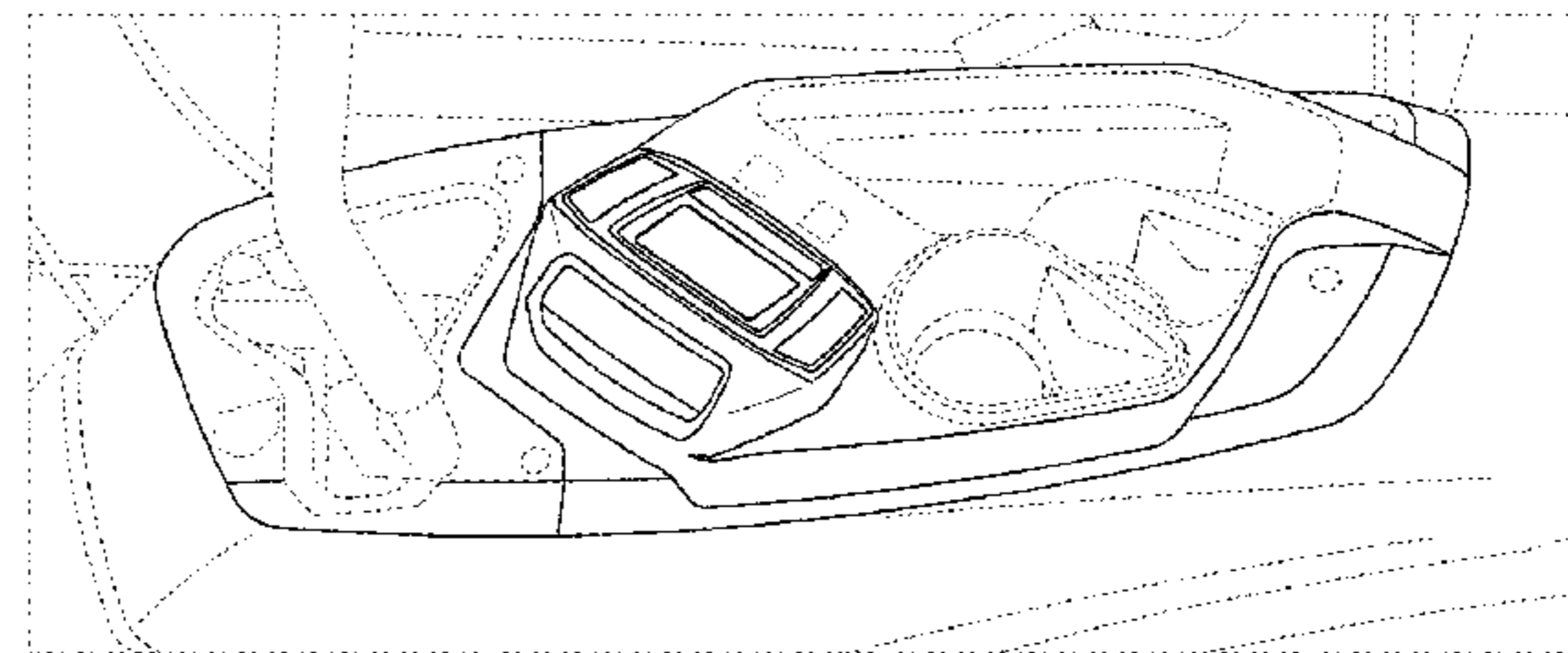
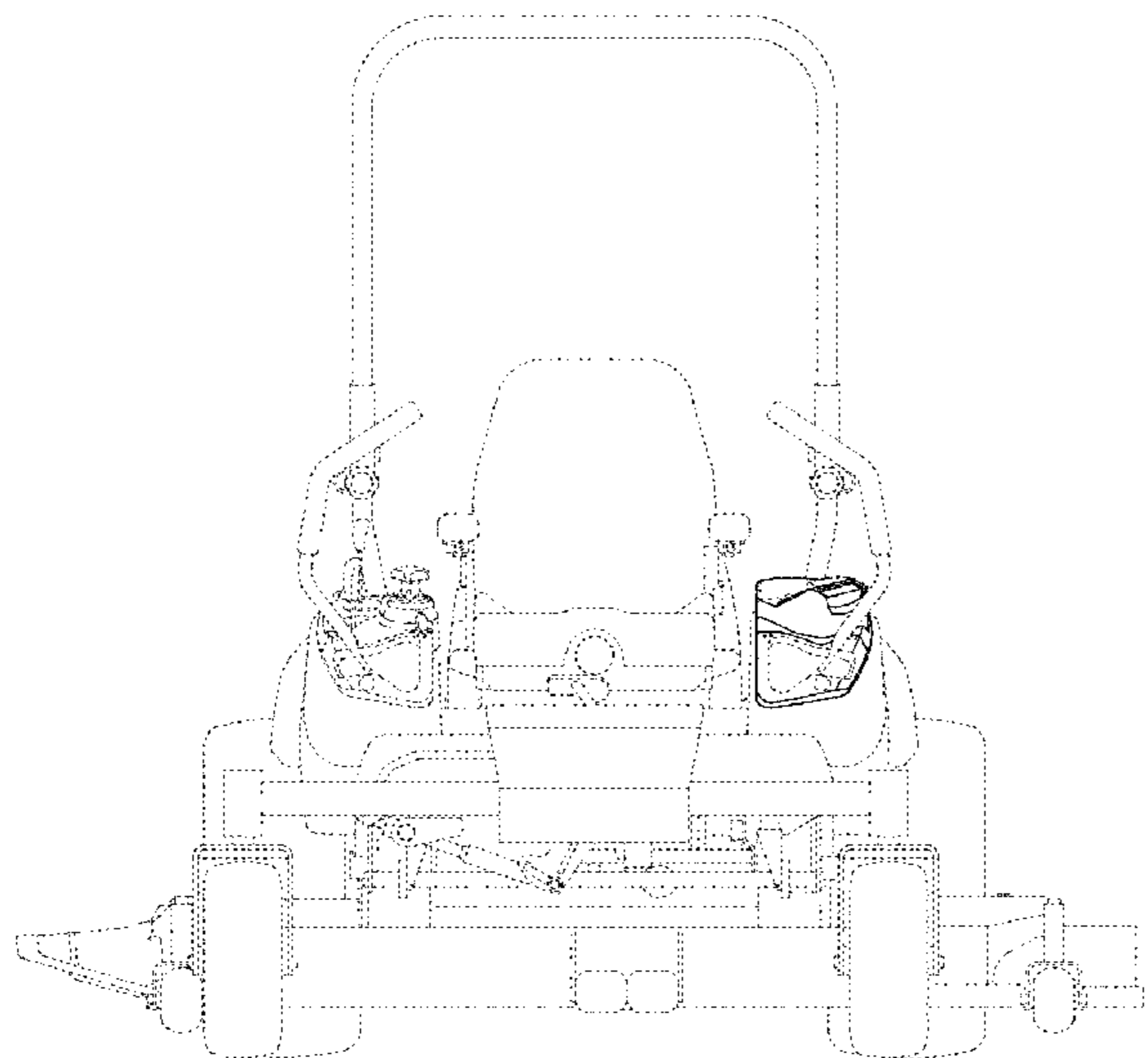


Fig.1

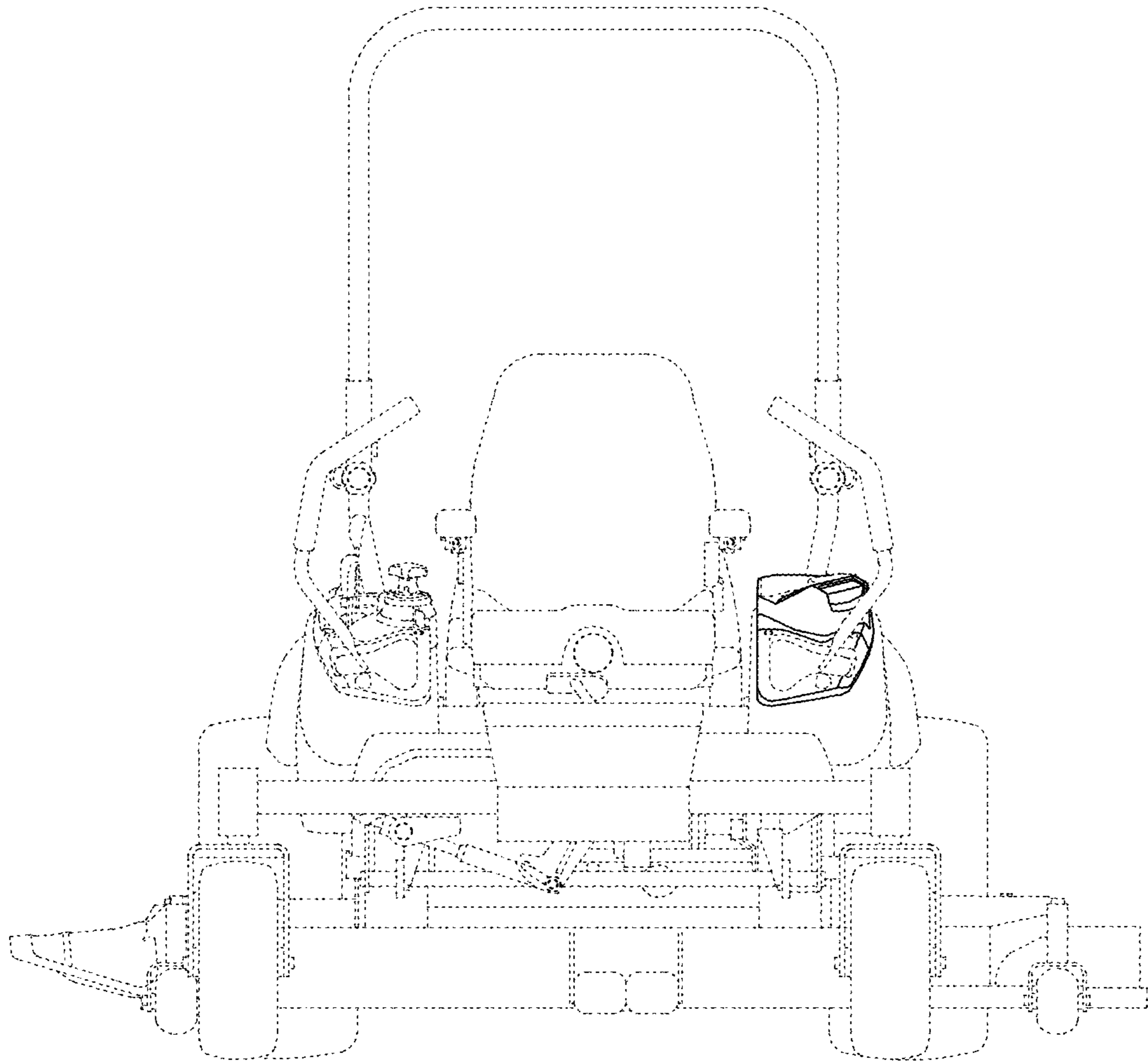


Fig.2

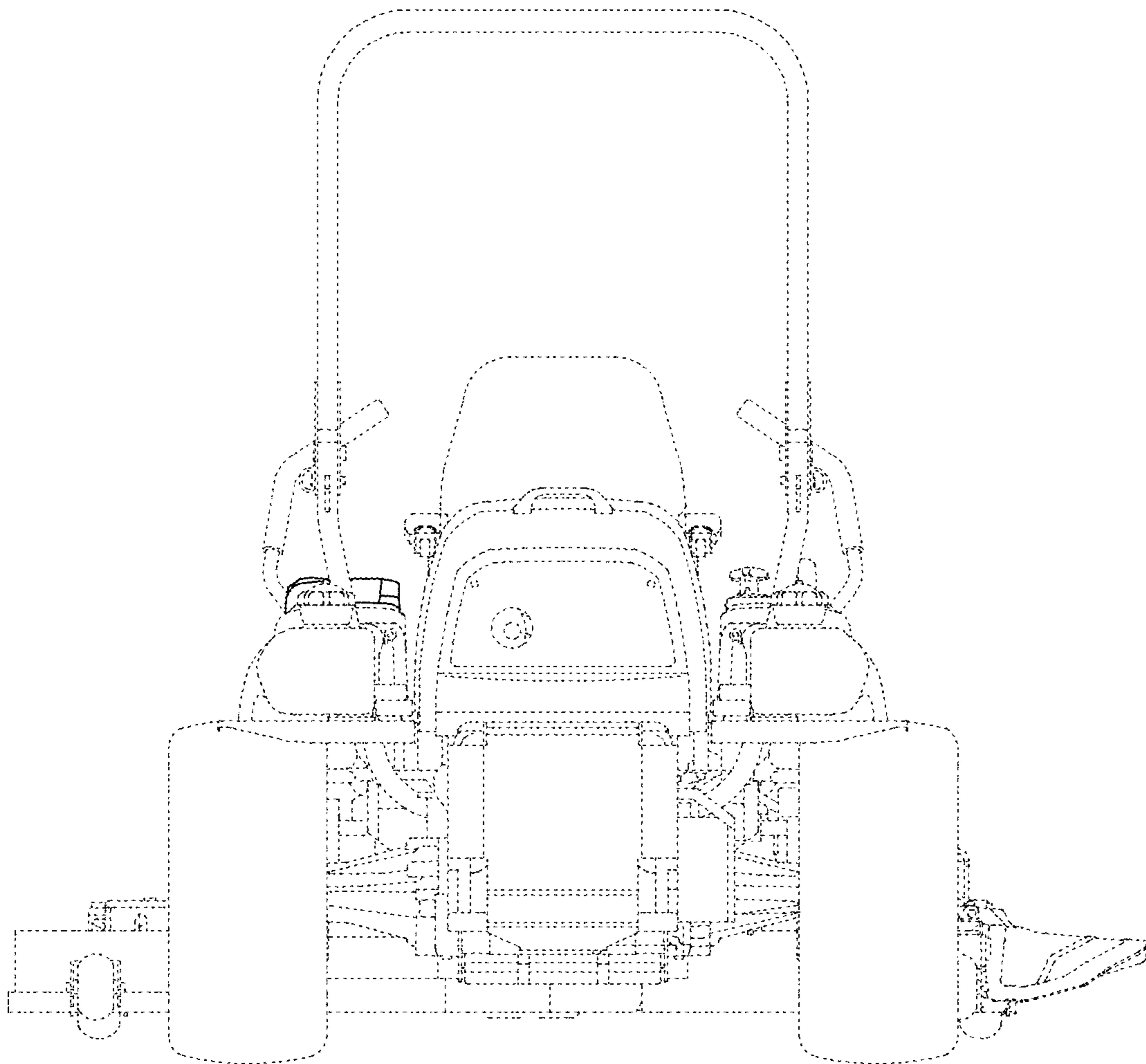


Fig.3

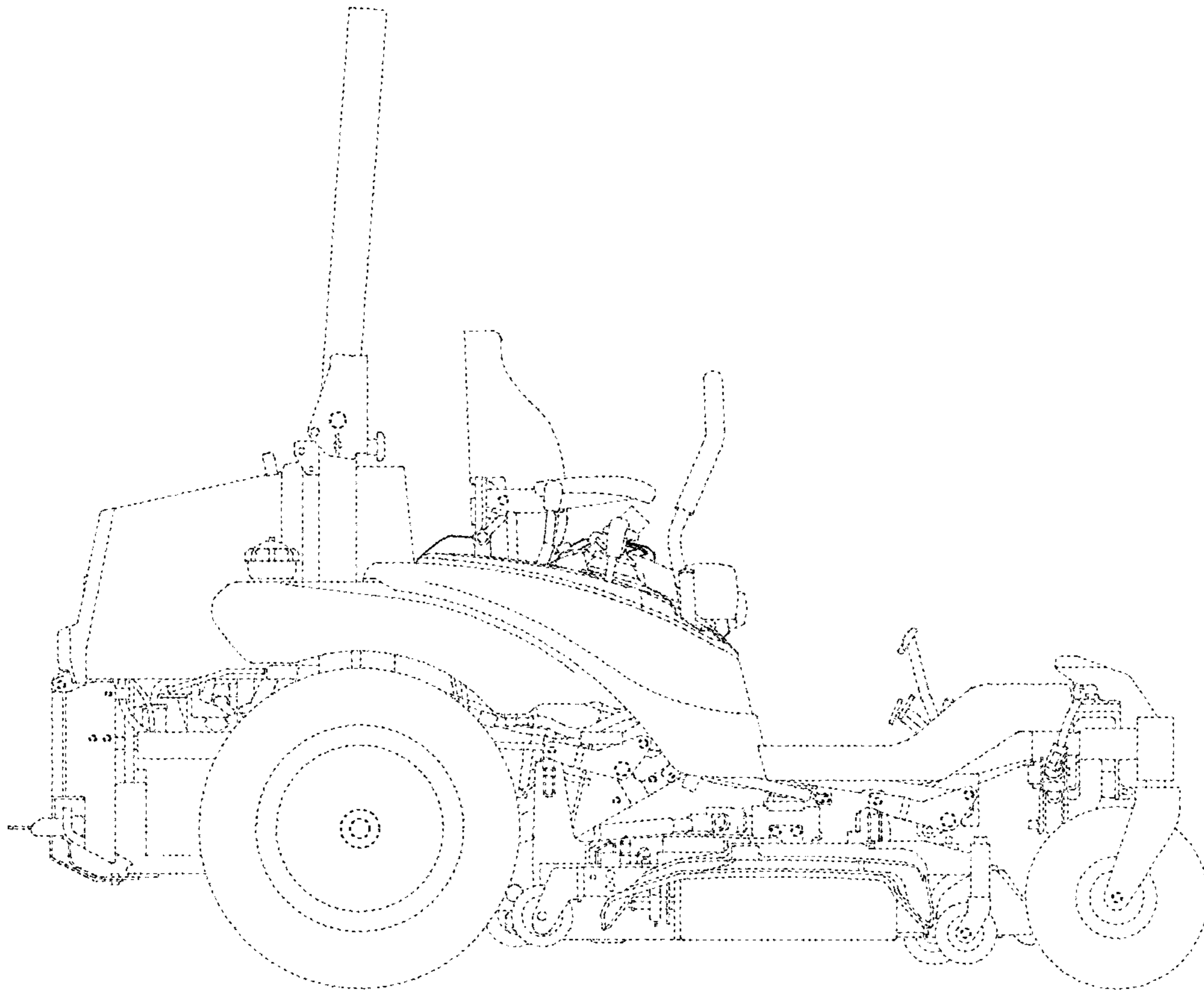


Fig.4

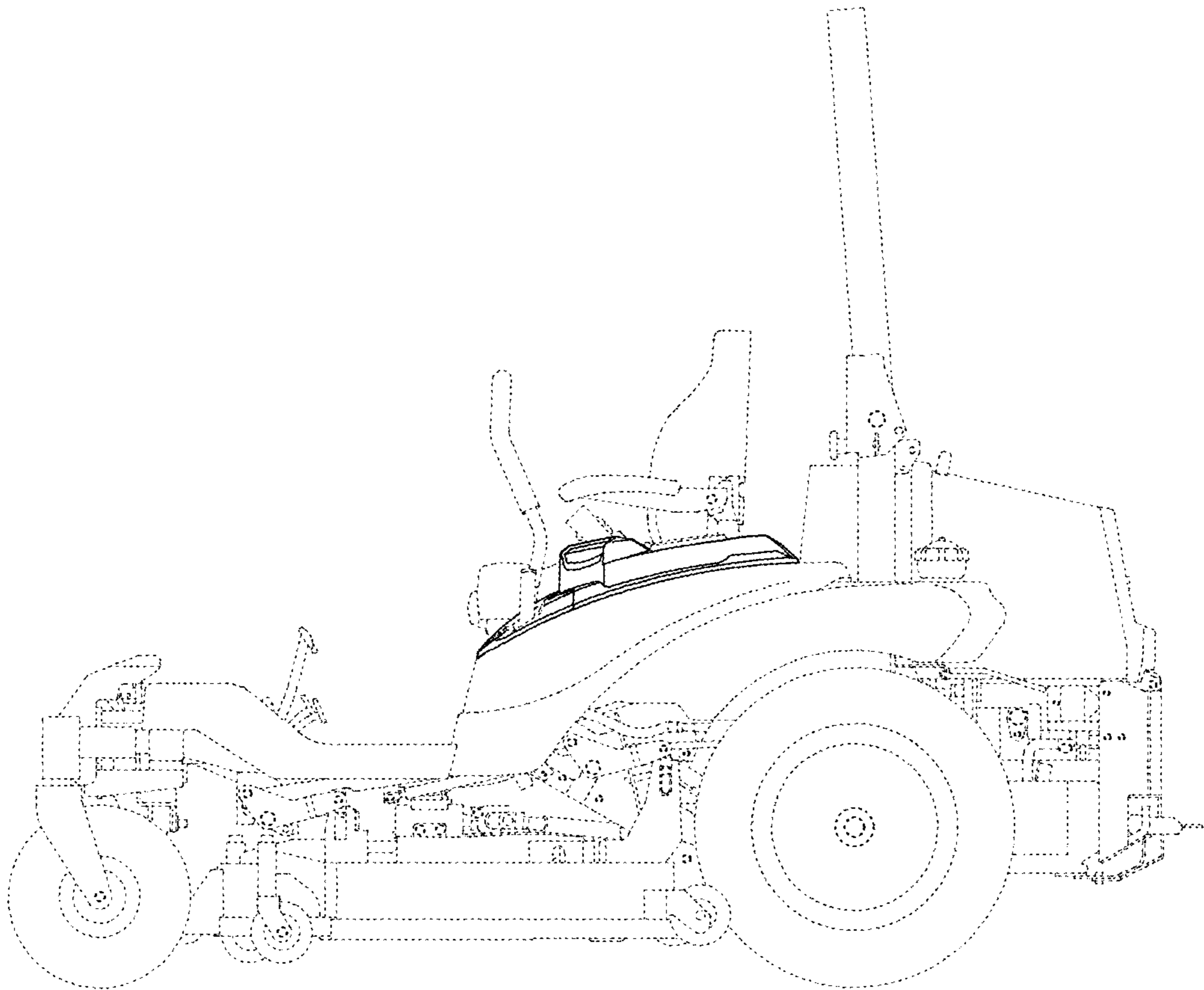


Fig.5

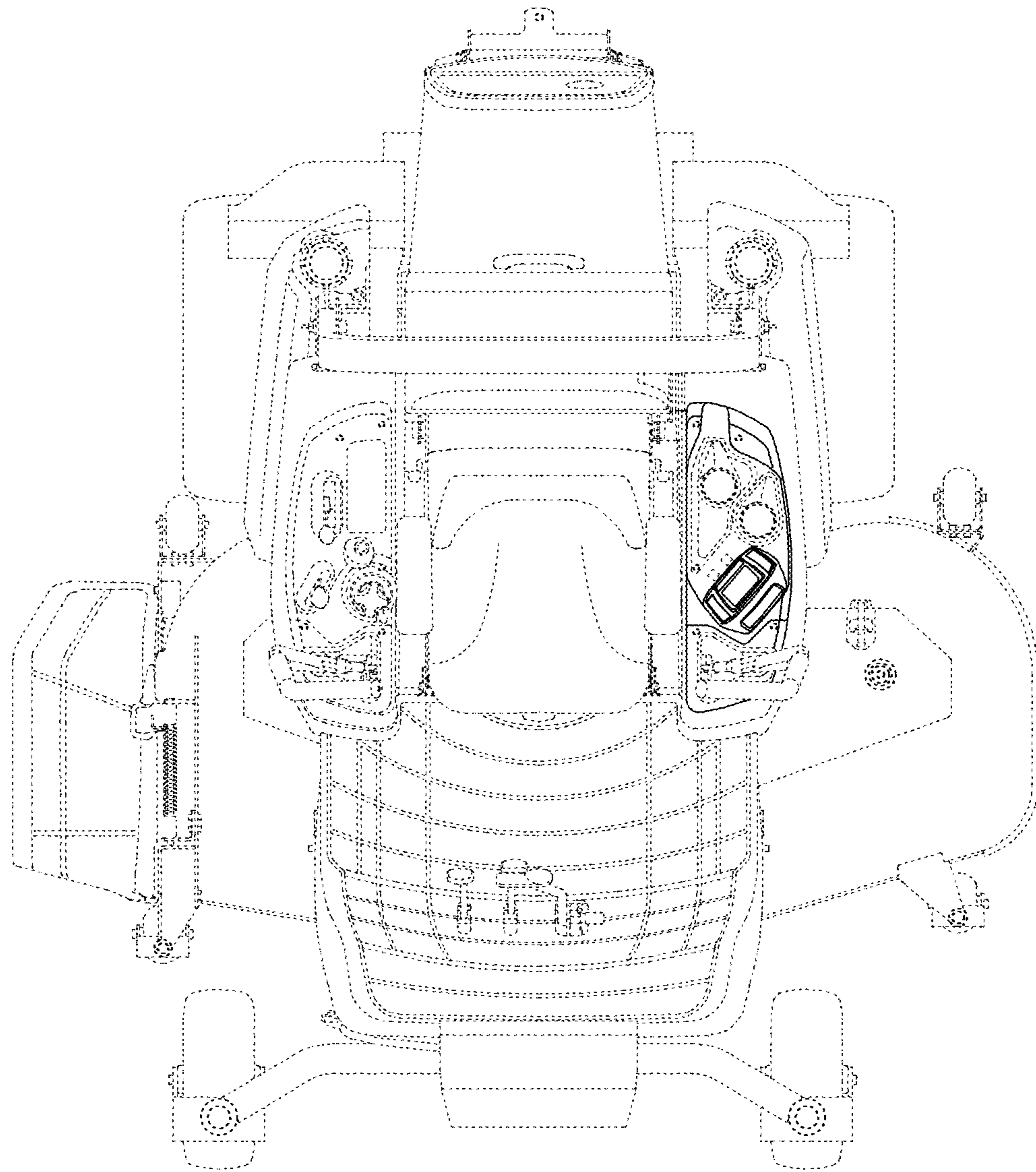


Fig.6

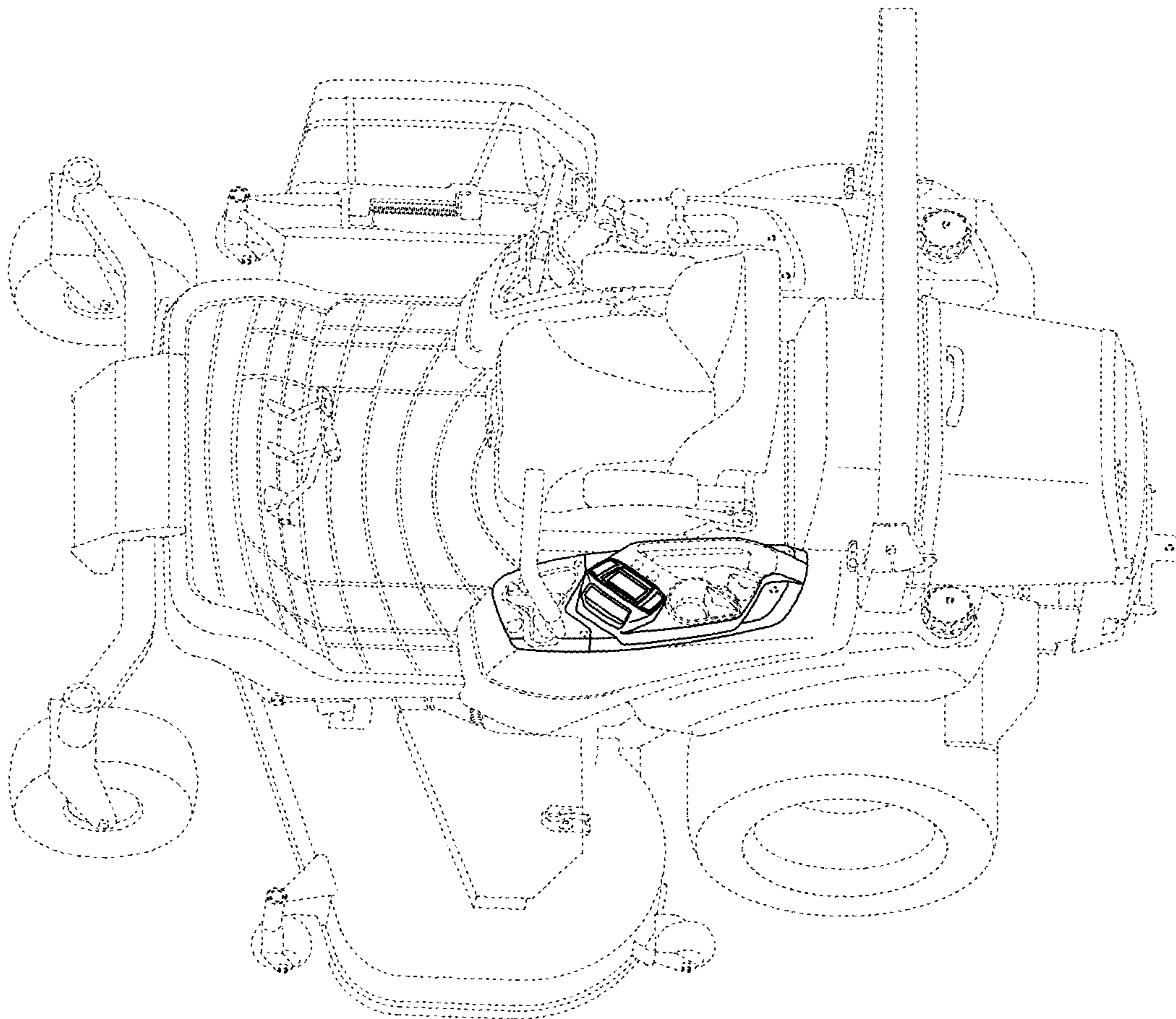


Fig.7

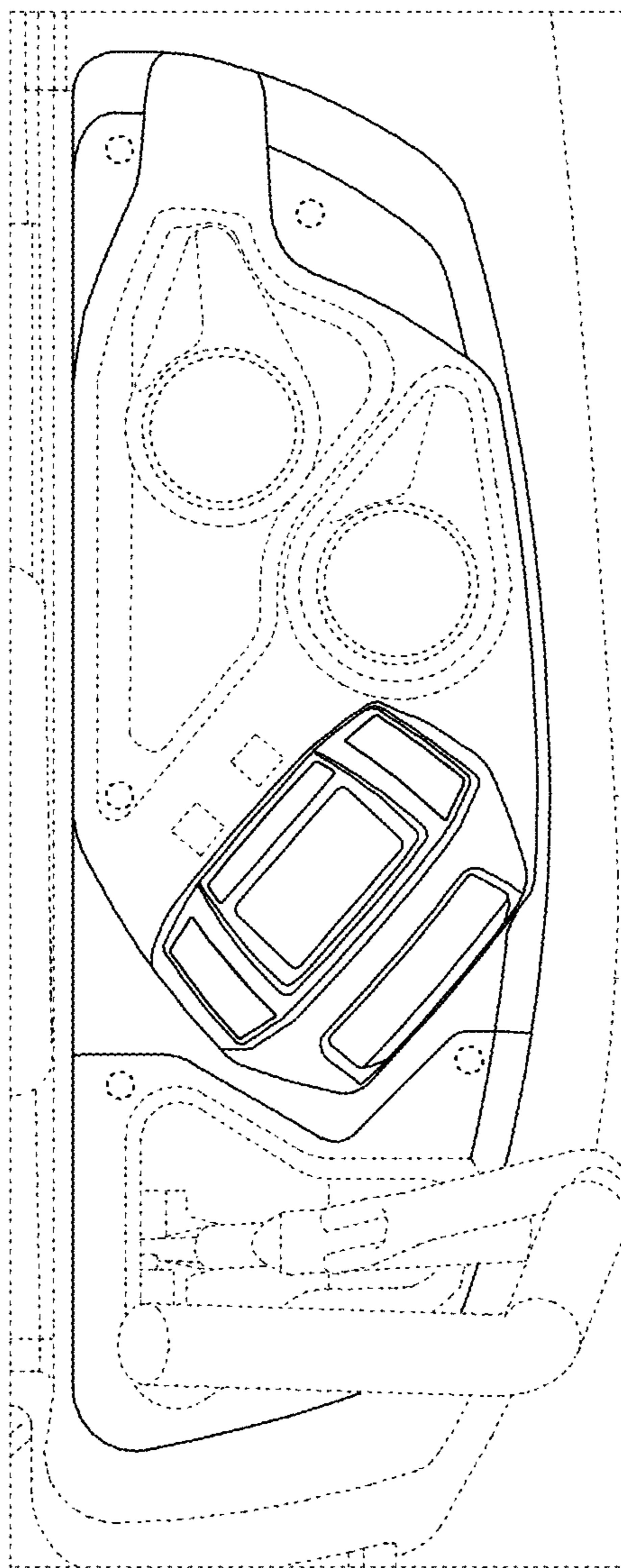


Fig.8

