



US00D774556S

(12) **United States Design Patent**
Gentile et al.

(10) **Patent No.:** **US D774,556 S**

(45) **Date of Patent:** **** Dec. 20, 2016**

(54) **LAWNMOWER BLADE**

(71) Applicant: **ALLSTAR PRODUCTS GROUP LLC**, Hawthorne, NY (US)

(72) Inventors: **Thomas Gentile**, Mahopac, NY (US);
Michael Degirolamo, Wilton, CT (US);
Alberto Manzon, Fiume Veneto (IT)

(73) Assignee: **ALLSTAR PRODUCTS GROUP LLC**, Hawthorne, NY (US)

(**) Term: **15 Years**

(21) Appl. No.: **29/538,654**

(22) Filed: **Sep. 4, 2015**

(51) **LOC (10) Cl.** **15-03**

(52) **U.S. Cl.**
USPC **D15/17**

(58) **Field of Classification Search**
USPC D15/14-18, 28, 32; D8/4-12, 16, 20
CPC A01D 34/005; A01D 34/73; A01D 34/13;
A01D 34/40; A01D 34/10; A01D
34/73352; A01D 34/42; A01D
34/00; A01D 34/826
See application file for complete search history.

(56) **References Cited**

U.S. PATENT DOCUMENTS

D280,903 S * 10/1985 Barbula D15/17
D326,458 S * 5/1992 Huber, Jr. D15/17
5,287,686 A * 2/1994 Lindsay A01D 34/73
30/347

D370,489 S * 6/1996 Taggett D15/17
D396,174 S * 7/1998 Schultz D15/17
D574,860 S * 8/2008 Potts D15/17
D577,372 S * 9/2008 Hung D15/17
D656,519 S * 3/2012 Funnell D15/17
D662,520 S * 6/2012 Nikkel D15/17
D745,061 S * 12/2015 DeLeon D15/17

* cited by examiner

Primary Examiner — Ian Simmons

Assistant Examiner — Khawaja Anwar

(74) *Attorney, Agent, or Firm* — Andrew F. Young, Esq.;
Lackebach Siegel, LLP

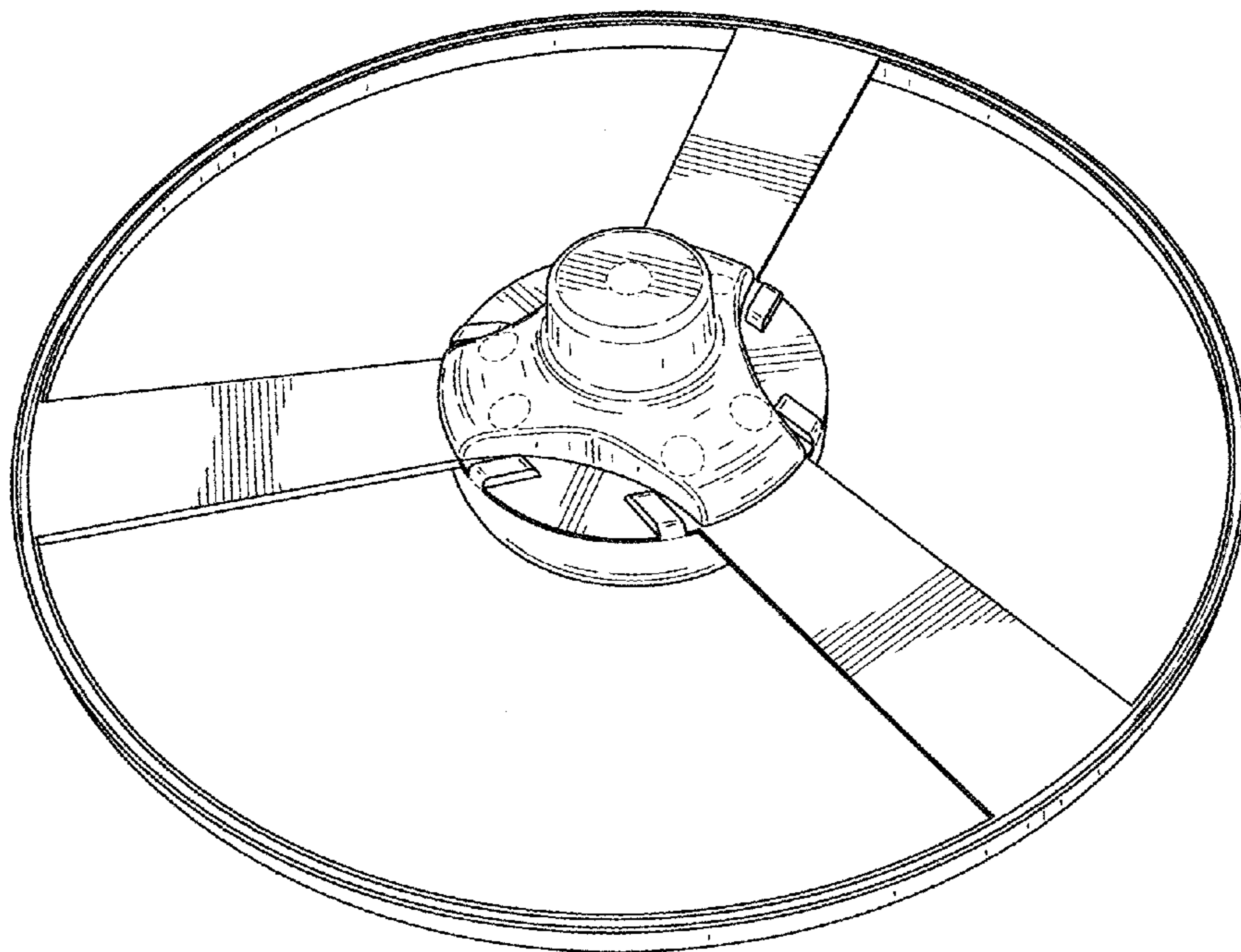
(57) **CLAIM**

The ornamental design for a lawnmower blade, as shown and described.

DESCRIPTION

FIG. 1 is a perspective view of a lawnmower blade, showing our new design;
FIG. 2 is a left side elevation view thereof;
FIG. 3 is a right side elevation view thereof;
FIG. 4 is a front side elevation view thereof;
FIG. 5 is a rear side elevation view thereof;
FIG. 6 is a top plan view thereof; and,
FIG. 7 is a bottom plan view thereof.
The broken lines shown in the drawings represent unclaimed environment only and form no part of the claimed design. The surfaces are lightly lined for contour only. No claim is made to surface texture of the particular design.

1 Claim, 5 Drawing Sheets



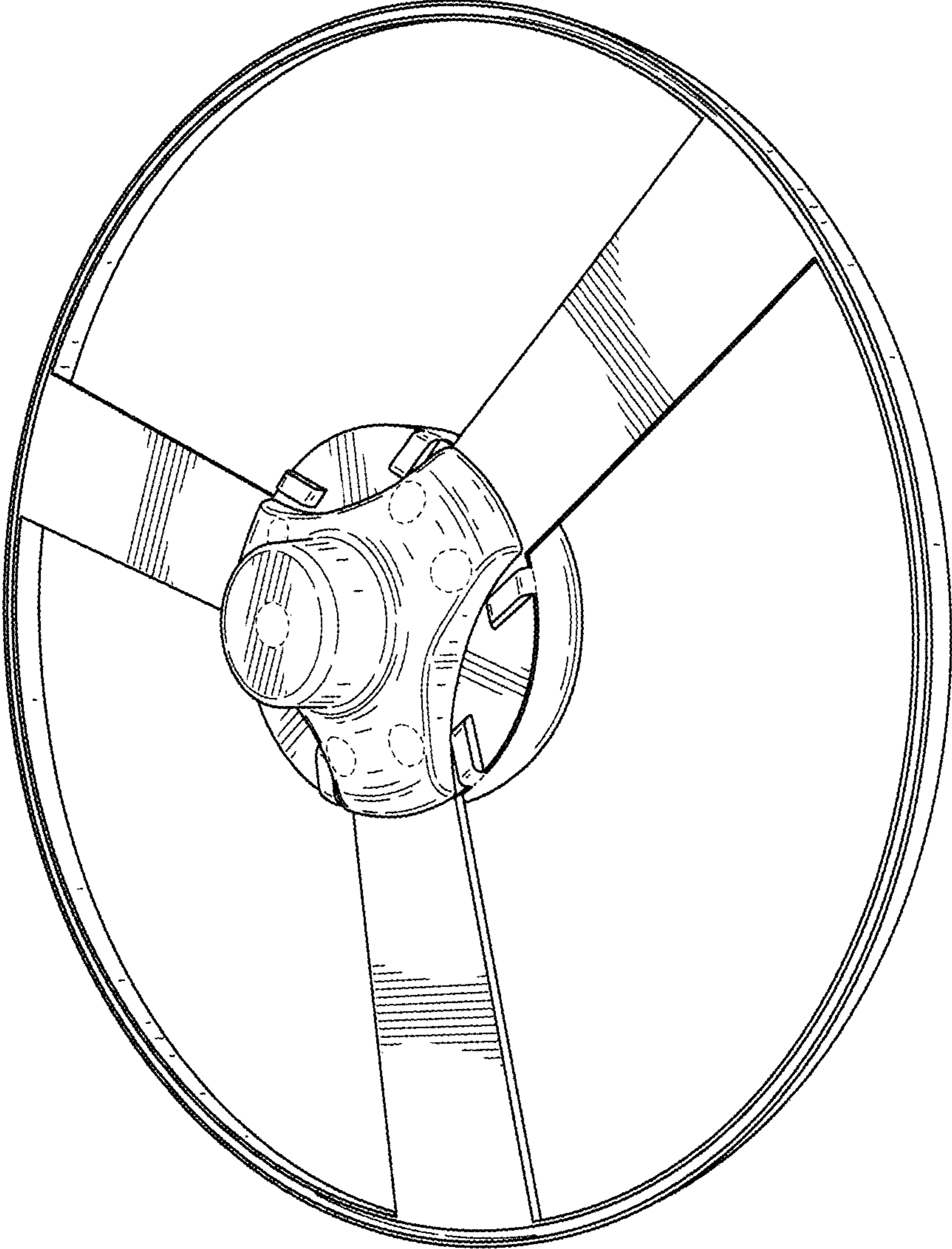


FIG. 1

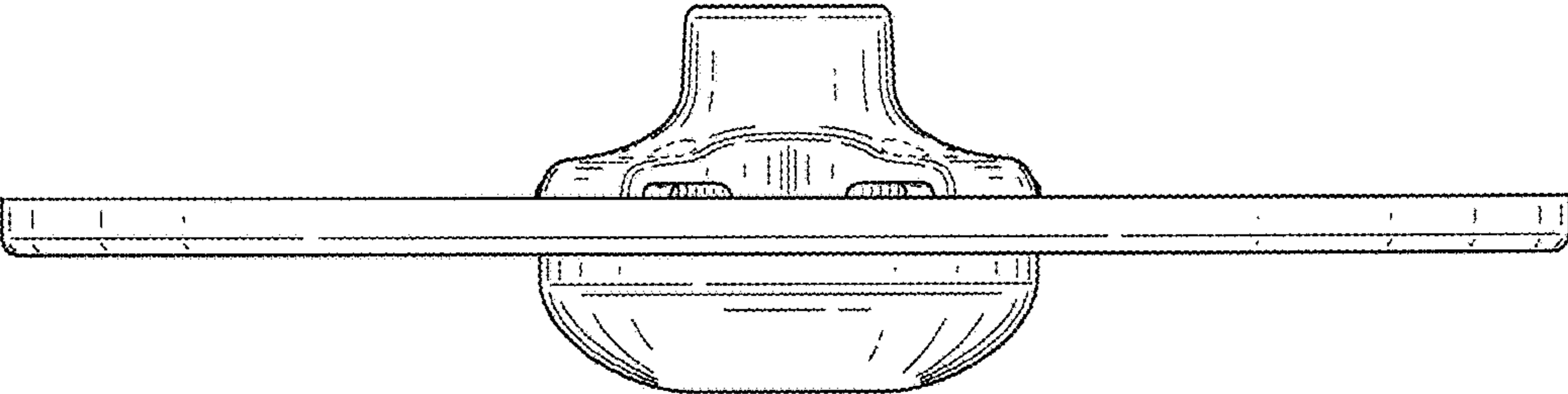


FIG. 2

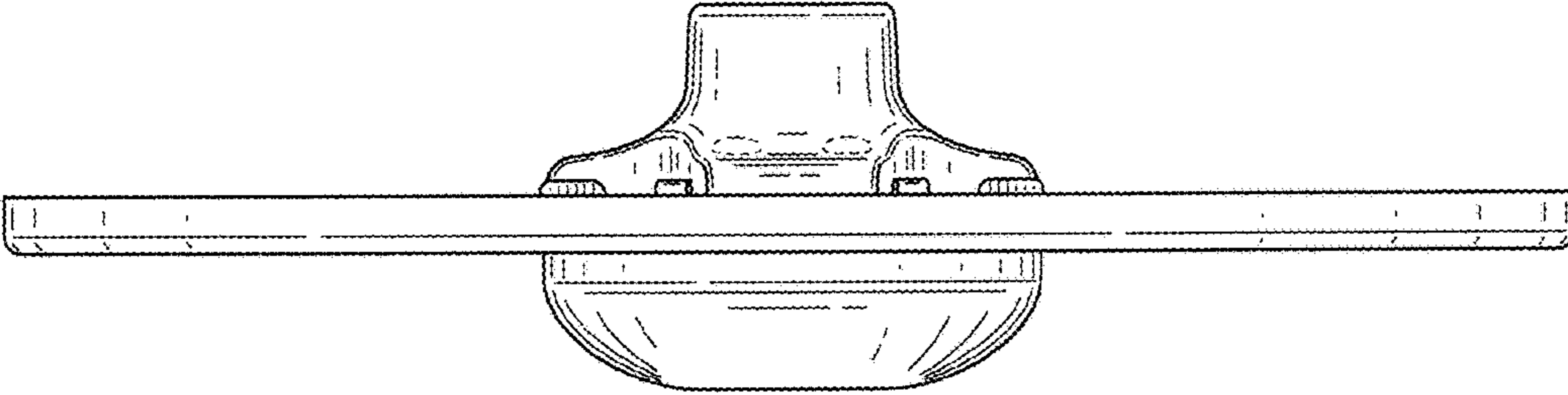


FIG. 3

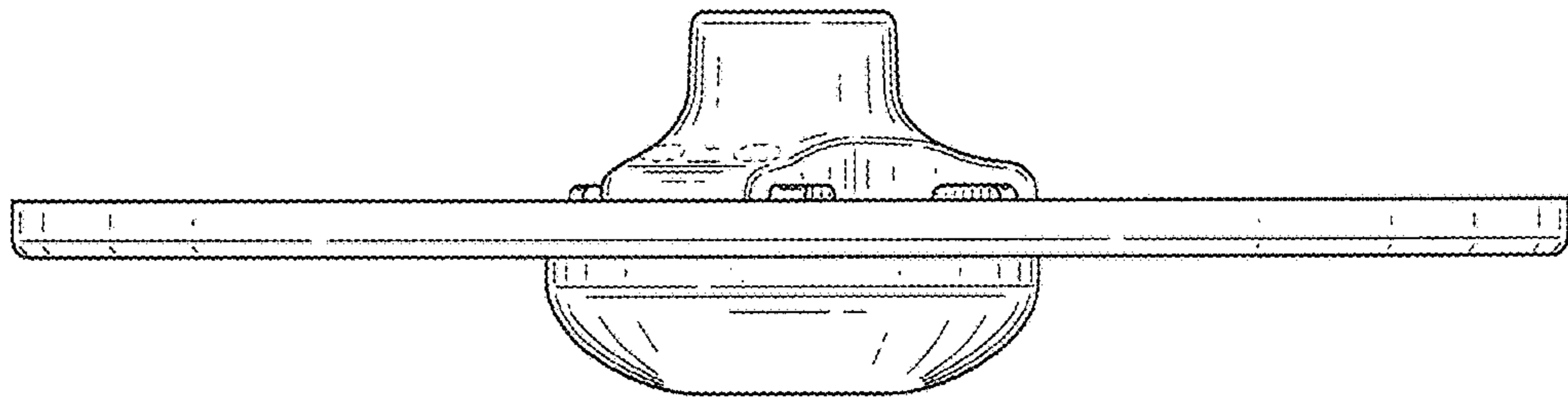


FIG. 4

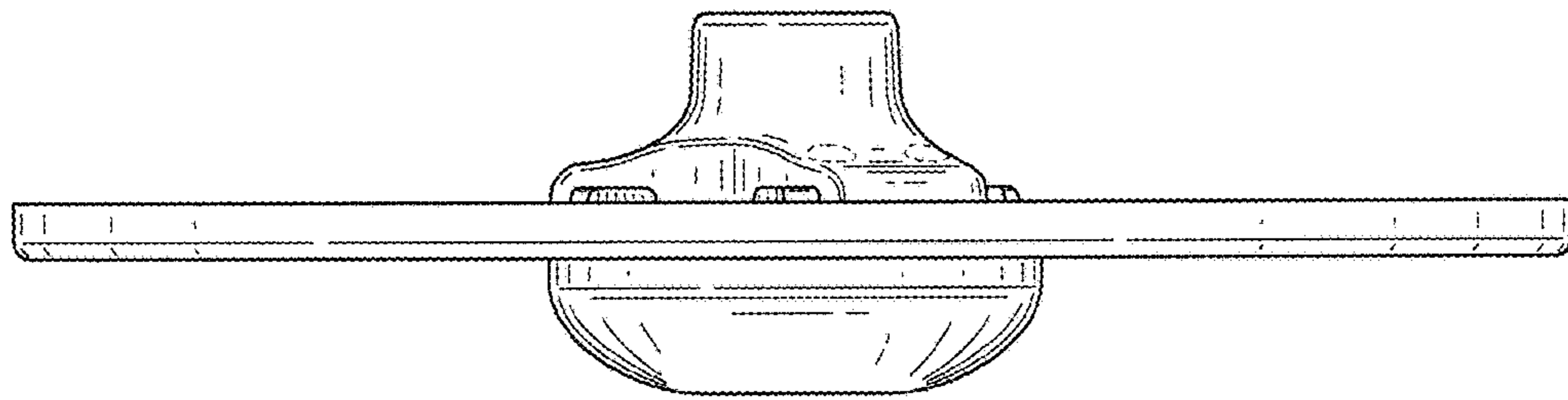


FIG. 5

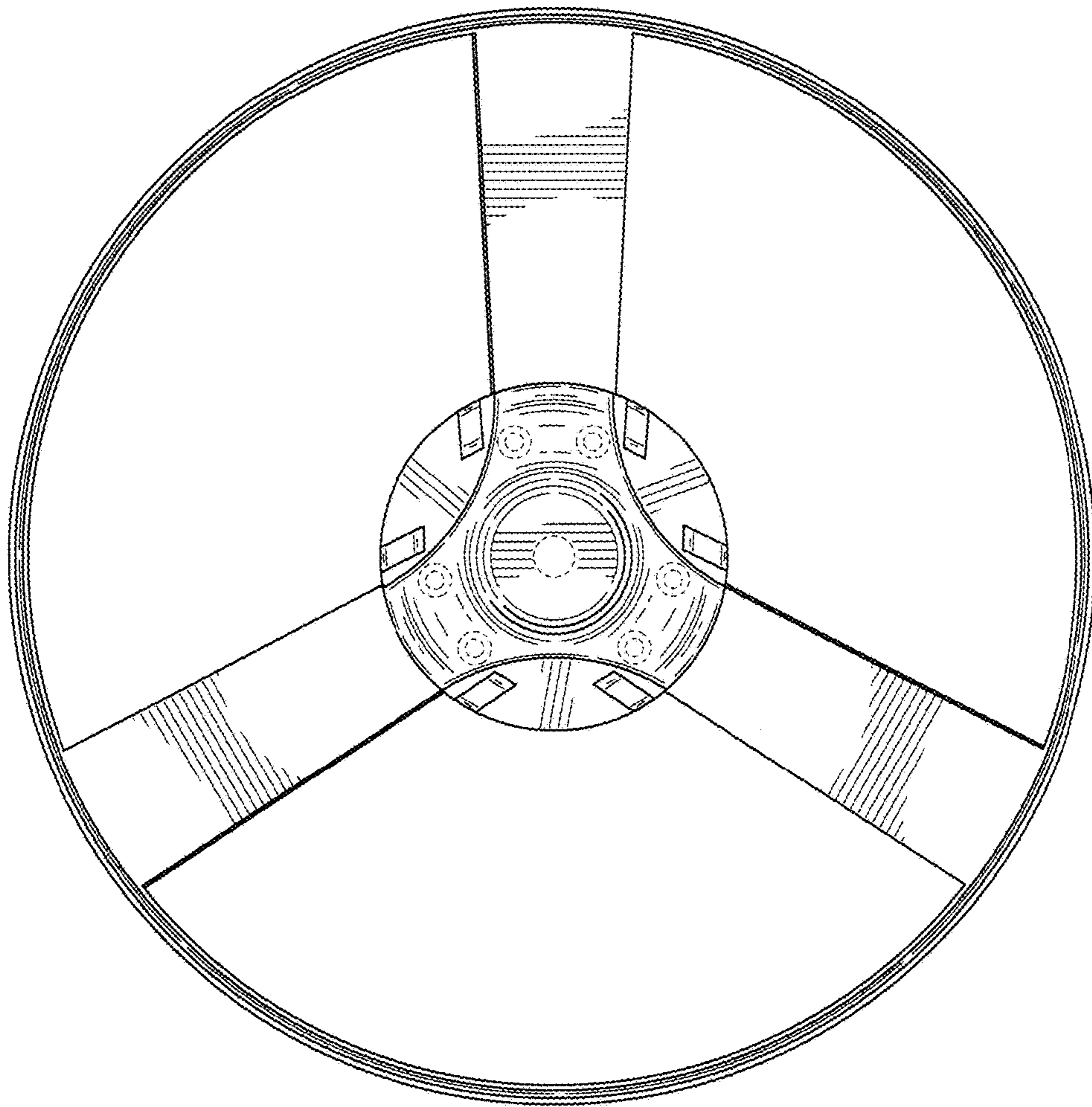


FIG. 6

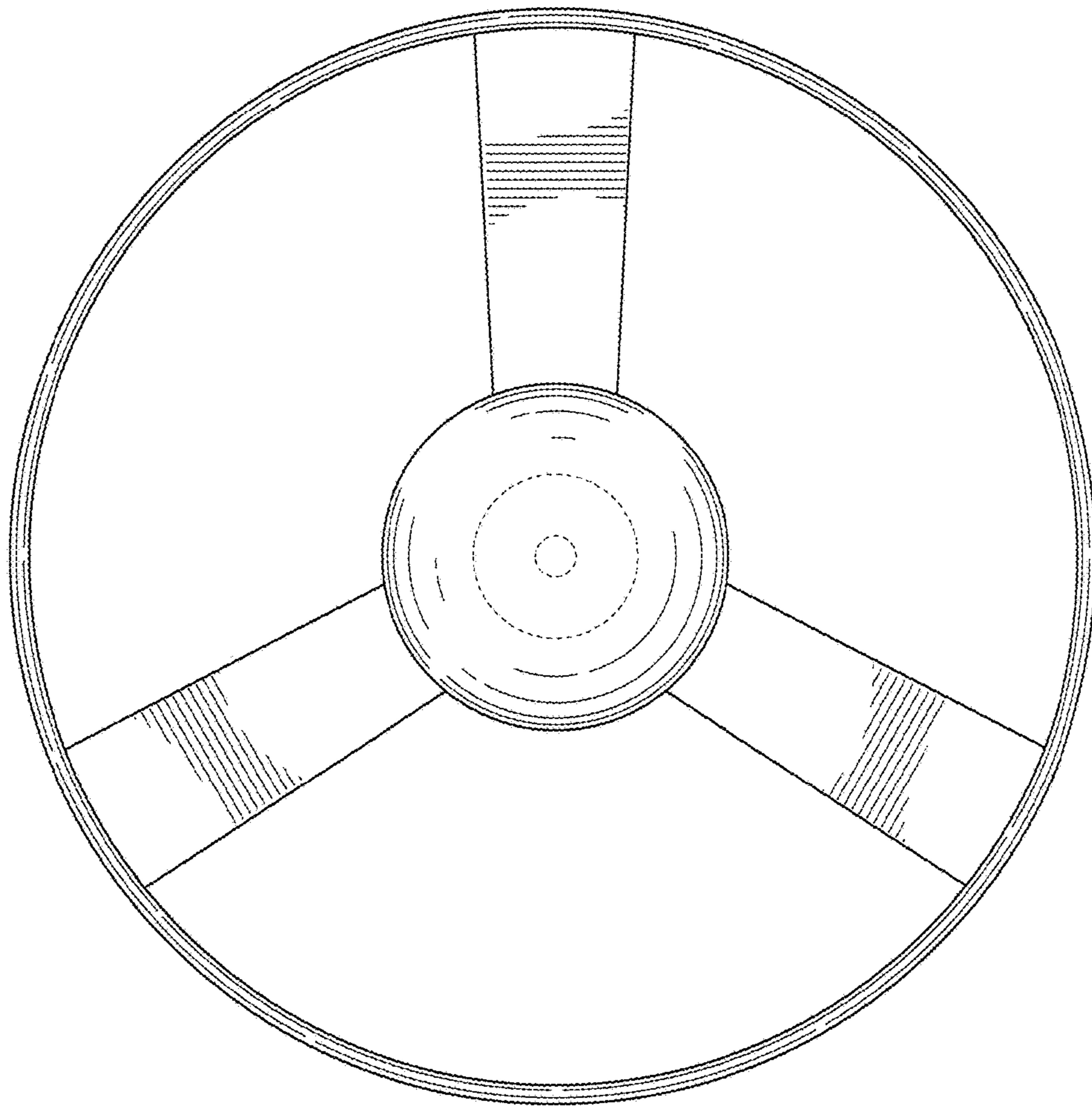


FIG. 7

UNITED STATES PATENT AND TRADEMARK OFFICE
CERTIFICATE OF CORRECTION

PATENT NO. : D774,556 S
APPLICATION NO. : 29/538654
DATED : December 20, 2016
INVENTOR(S) : Gentile et al.

Page 1 of 1

It is certified that error appears in the above-identified patent and that said Letters Patent is hereby corrected as shown below:

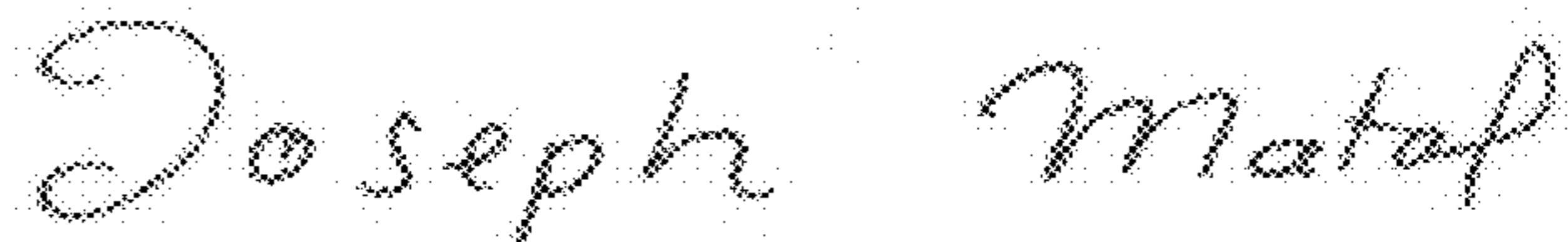
On the Title Page

Insert:

--Related Foreign Application Data

CIP of OHIM Serial No. 002649111 filed March 9, 2015--

Signed and Sealed this
Twenty-fourth Day of October, 2017



Joseph Matal

*Performing the Functions and Duties of the
Under Secretary of Commerce for Intellectual Property and
Director of the United States Patent and Trademark Office*