



US00D774555S

(12) **United States Design Patent**
Chu

(10) **Patent No.:** **US D774,555 S**

(45) **Date of Patent:** **** Dec. 20, 2016**

(54) **TRAY FOR PORTABLE AIR COMPRESSOR**

(71) Applicant: **Sammy Chu**, Irvine, CA (US)

(72) Inventor: **Sammy Chu**, Irvine, CA (US)

(73) Assignee: **Sammy Chu**, Irvine, CA (US)

(**) Term: **15 Years**

(21) Appl. No.: **29/546,373**

(22) Filed: **Nov. 20, 2015**

(51) **LOC (10) Cl.** **15-02**

(52) **U.S. Cl.**
USPC **D15/9**

(58) **Field of Classification Search**
USPC D15/7-9; D23/231, 232, 225; 417/60,
417/235, 265, 321, 355, 358, 363, 359,
417/410.1, 415-416, 405, 900, 423.14,
417/423.15, 423.9; 60/408, 412;
184/26-37; 415/140-147; 123/495, 509;
137/565.34
CPC F02M 37/04; F02M 37/14
See application file for complete search history.

(56) **References Cited**

U.S. PATENT DOCUMENTS

D238,963 S * 2/1976 Vinci D15/199
D331,240 S * 11/1992 Winn D15/7

D375,961 S * 11/1996 Kotlarek D15/7
D490,820 S * 6/2004 Schoemneyr D15/7
D517,091 S * 3/2006 Sugiyama D15/7
D537,453 S * 2/2007 Chu D15/9
D537,844 S * 3/2007 Chu D15/9
D541,815 S * 5/2007 Drummond, Jr. D15/7

* cited by examiner

Primary Examiner — Ralf Seifert

(74) *Attorney, Agent, or Firm* — Law Office of Katsuhiro Arai

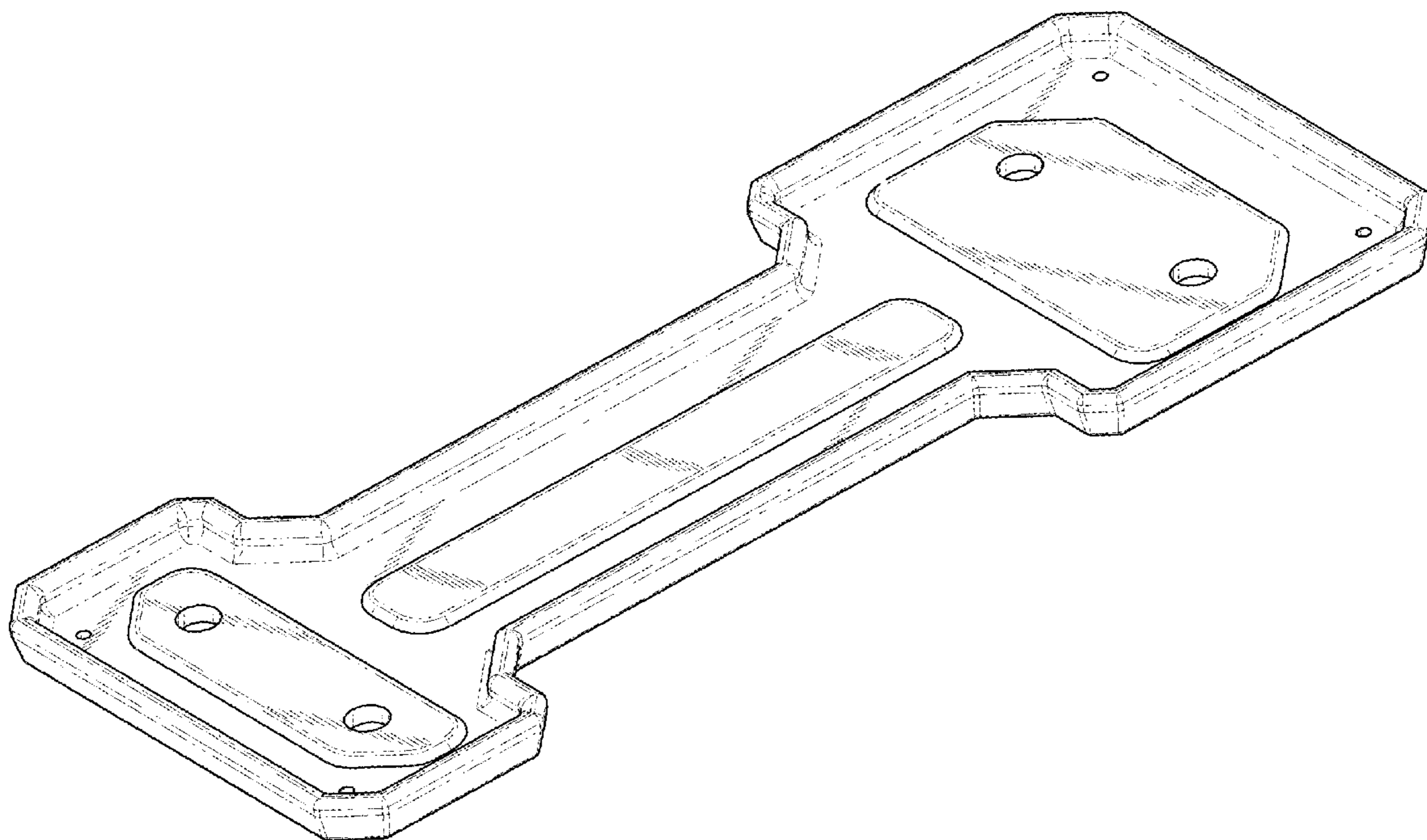
(57) **CLAIM**

The ornamental design for a tray for a portable air compressor, as shown and described.

DESCRIPTION

FIG. 1 is a perspective view of the tray for a portable air compressor, showing my new design, wherein a portable air compressor, which is shown in broken lines and forms no part of the claimed design, is mounted on the tray for inflating a vehicle tire, e.g., on sand; FIG. 2 is a perspective view thereof; FIG. 3 is a top plan view thereof; FIG. 4 is a bottom plan view thereof; FIG. 5 is a front elevation thereof, the rear elevation being a mirror image; and, FIG. 6 is a left side elevation thereof, the side opposite being a mirror image.

1 Claim, 4 Drawing Sheets



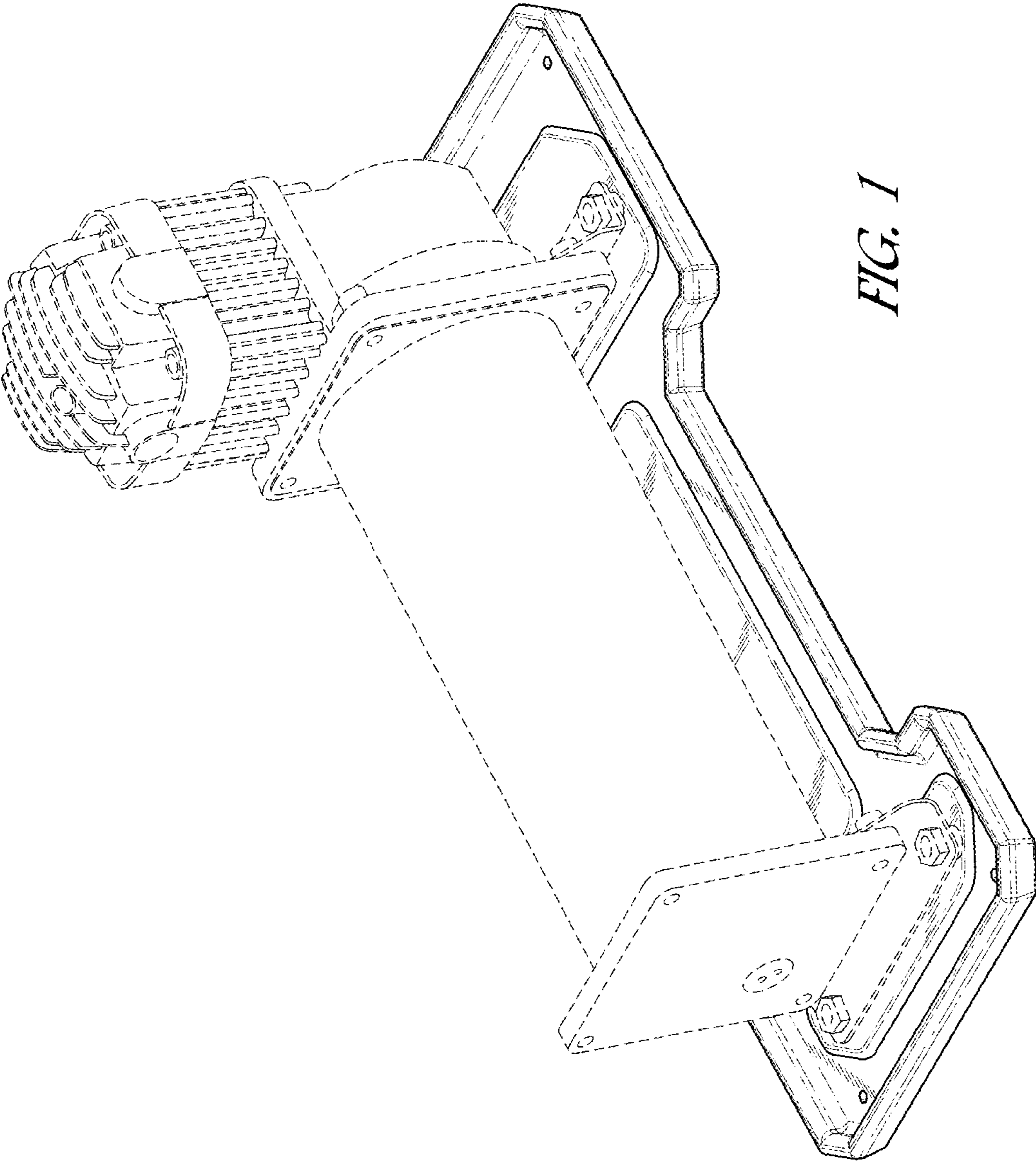


FIG. 1

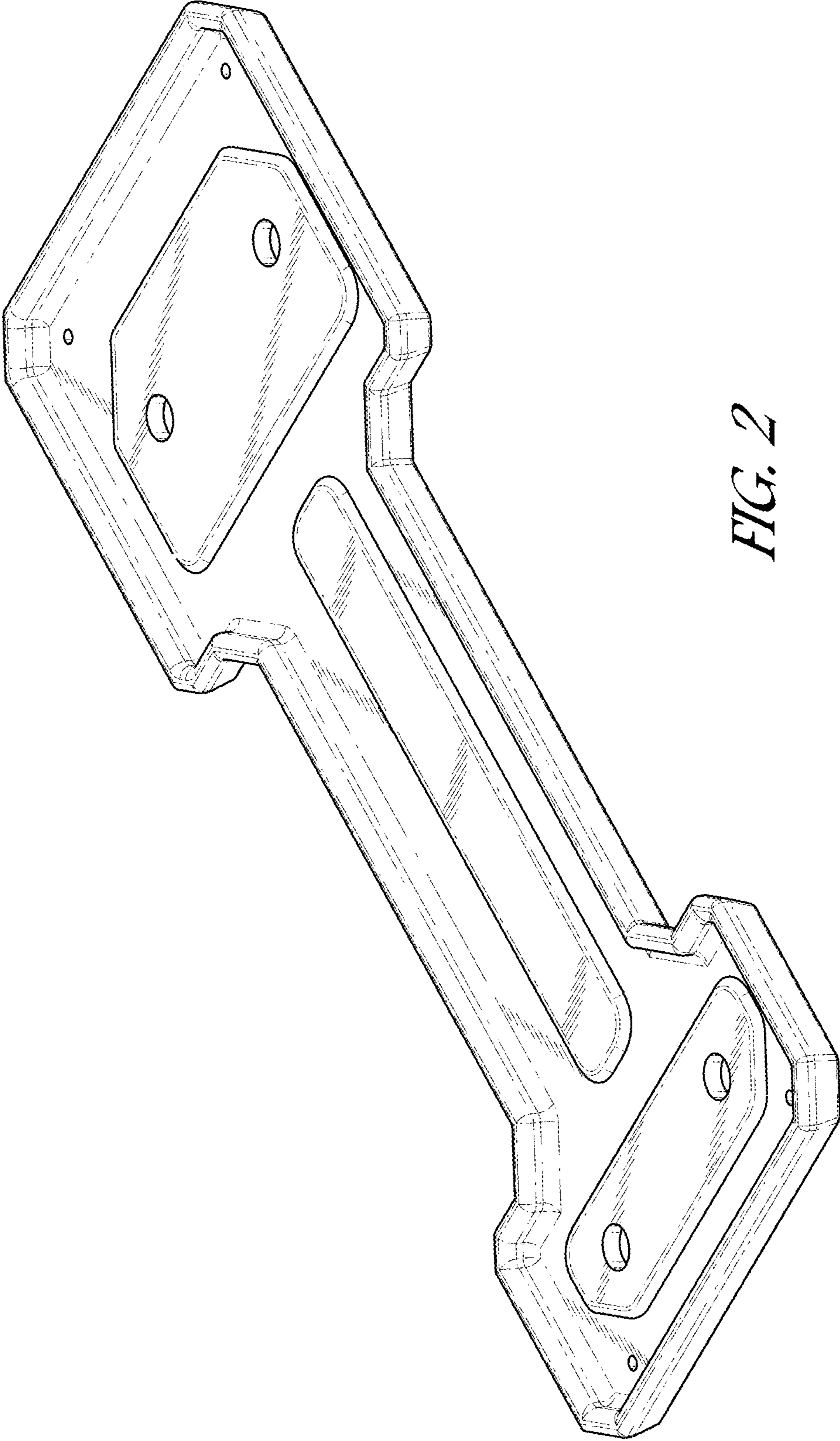


FIG. 2

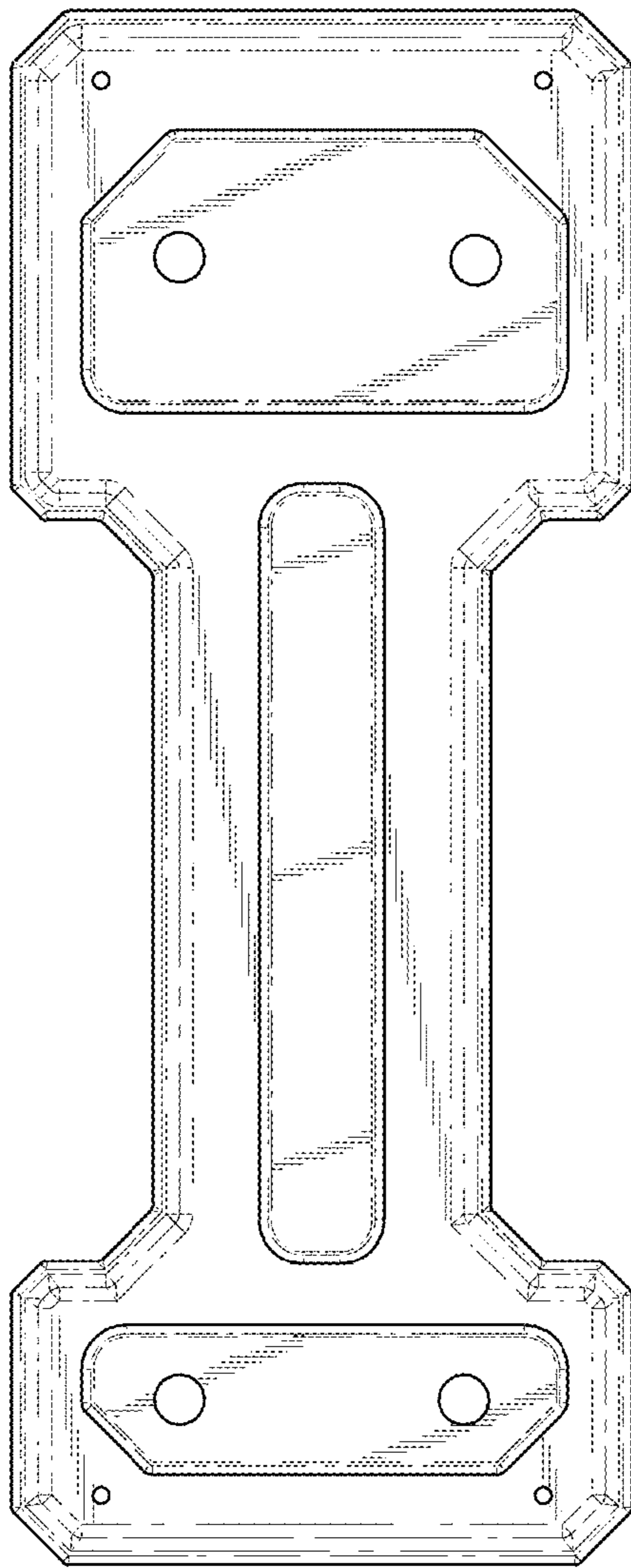


FIG. 3

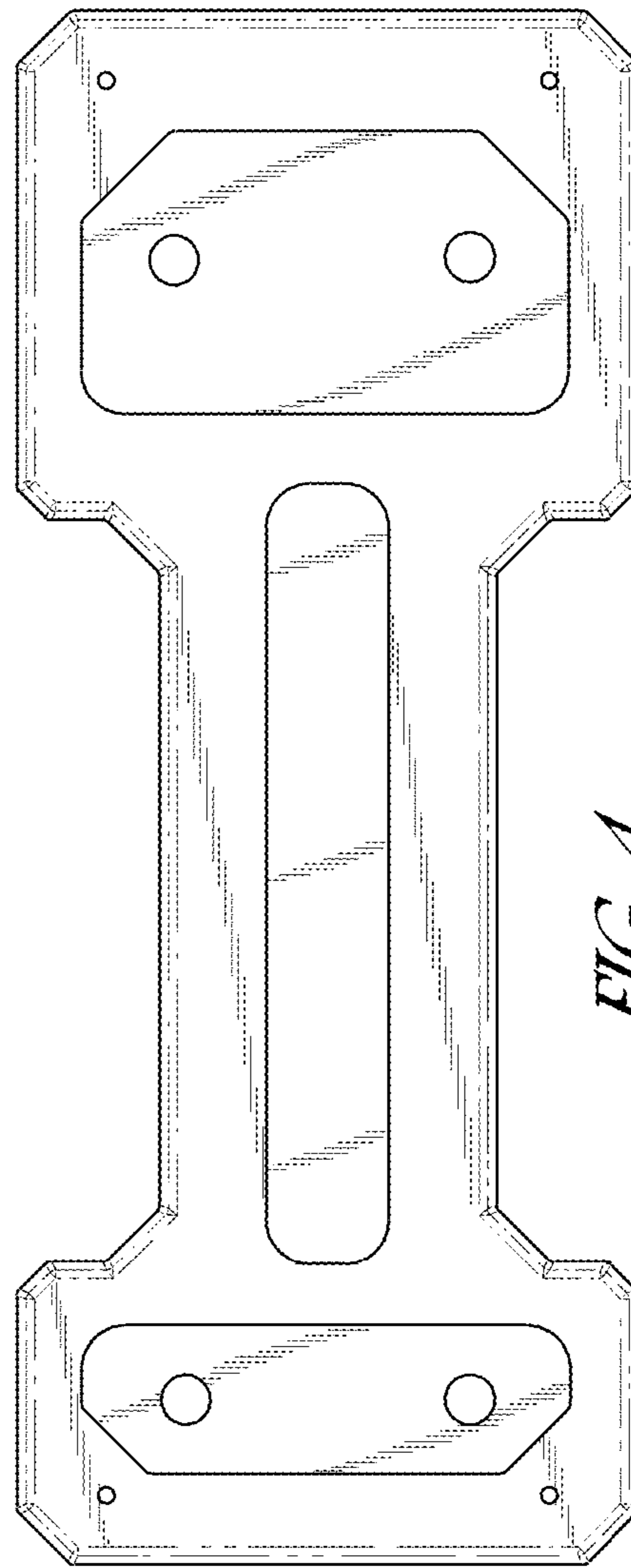


FIG. 4



FIG. 5



FIG. 6