



US00D774554S

(12) **United States Design Patent**
Imsand et al.

(10) **Patent No.:** **US D774,554 S**
(45) **Date of Patent:** **** Dec. 20, 2016**

- (54) **CORDLESS AIR COMPRESSOR**
- (71) Applicant: **BLACK & DECKER INC.**, New Britain, CT (US)
- (72) Inventors: **Nicholas R. Imsand**, Towson, MD (US); **Jonathan Kirkpatrick**, Baldwin, MD (US)
- (73) Assignee: **Black & Decker Inc.**, New Britain, CT (US)
- (**) Term: **15 Years**
- (21) Appl. No.: **29/544,418**
- (22) Filed: **Nov. 3, 2015**
- (51) **LOC (10) Cl.** **15-02**
- (52) **U.S. Cl.**
USPC **D15/7**
- (58) **Field of Classification Search**
USPC D15/7-9; D23/231, 232, 225; 417/60, 417/235, 265, 321, 355, 358, 363, 359, 410.1, 417/415-416, 405, 900; 60/408, 412; 184/26-37; 415/140-147; 123/495, 509
CPC F02M 37/04; F02M 37/14; F04D 7/04
See application file for complete search history.

- D667,467 S * 9/2012 Kosugi D15/9
- D718,790 S * 12/2014 Yang D15/9
- D749,643 S * 2/2016 Craig D15/9
- D754,755 S * 4/2016 Suthmann D15/9

* cited by examiner

Primary Examiner — Ralf Seifert

(74) *Attorney, Agent, or Firm* — Rhonda L. Barton

(56) **References Cited**

U.S. PATENT DOCUMENTS

- 4,202,654 A * 5/1980 Marlow F04D 7/04
415/113
- D536,006 S * 1/2007 Lacey D15/7
- D620,500 S * 7/2010 Brandt D15/9
- D667,466 S * 9/2012 Barmore D15/7

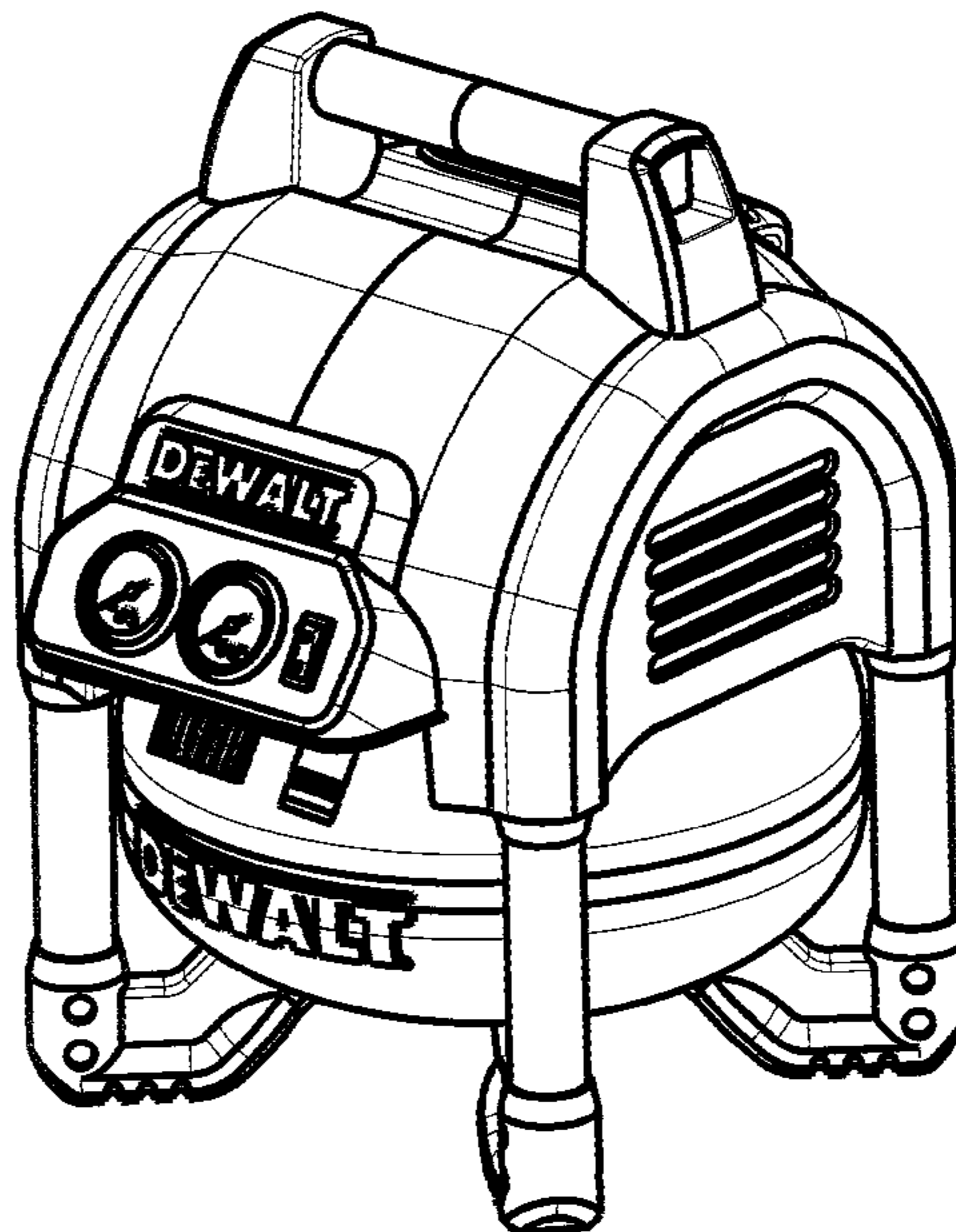
(57) **CLAIM**

The ornamental design for a cordless air compressor, as shown and described.

DESCRIPTION

- FIG. 1 is a front perspective view of a cordless air compressor showing my new design;
- FIG. 2 is a front view thereof;
- FIG. 3 is a rear view thereof;
- FIG. 4 is a left side view thereof;
- FIG. 5 is a right side view thereof;
- FIG. 6 is a top view thereof;
- FIG. 7 is a bottom view thereof; and,
- FIG. 8 is a rear perspective view.

1 Claim, 8 Drawing Sheets



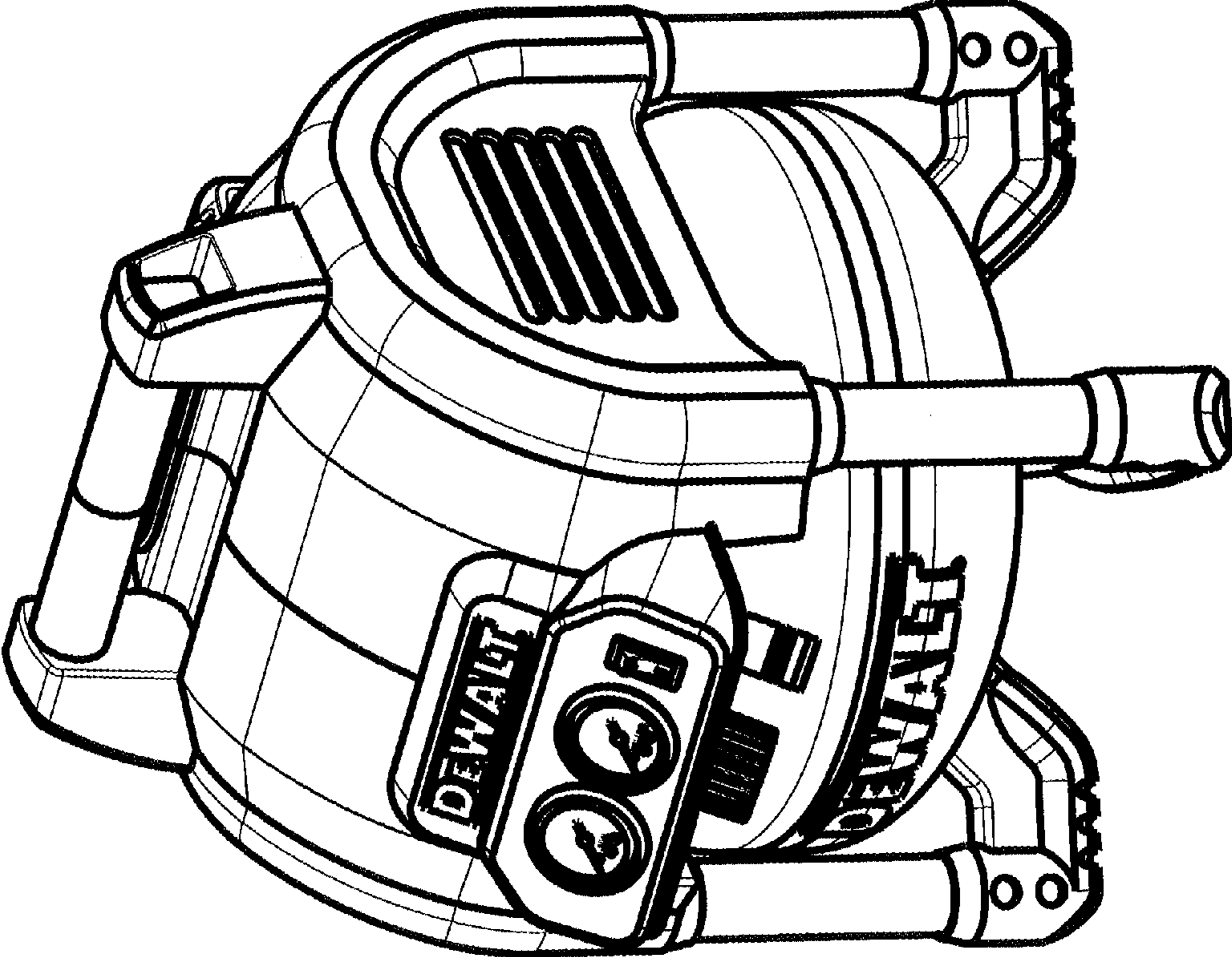


FIG. 1

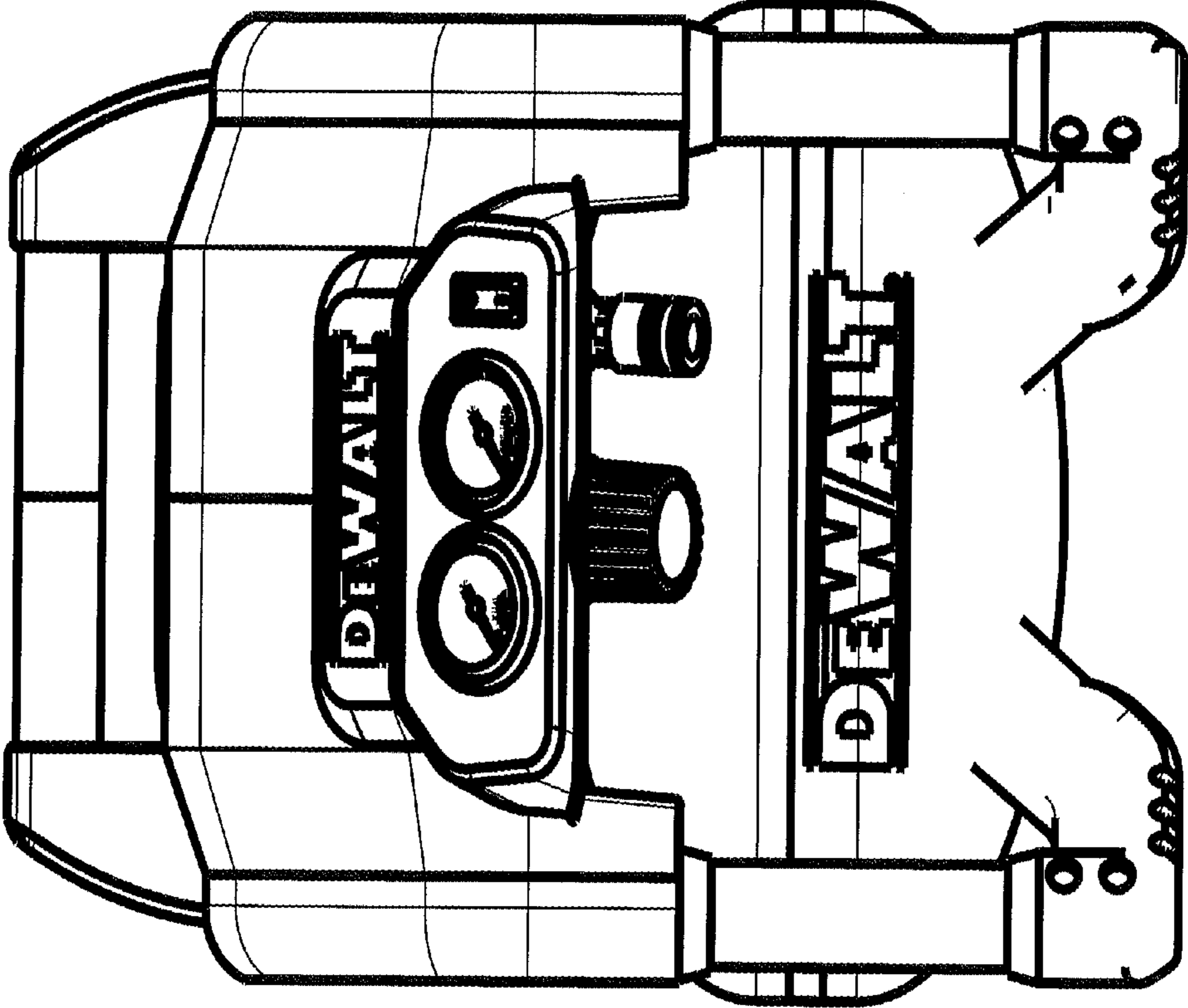


FIG. 2

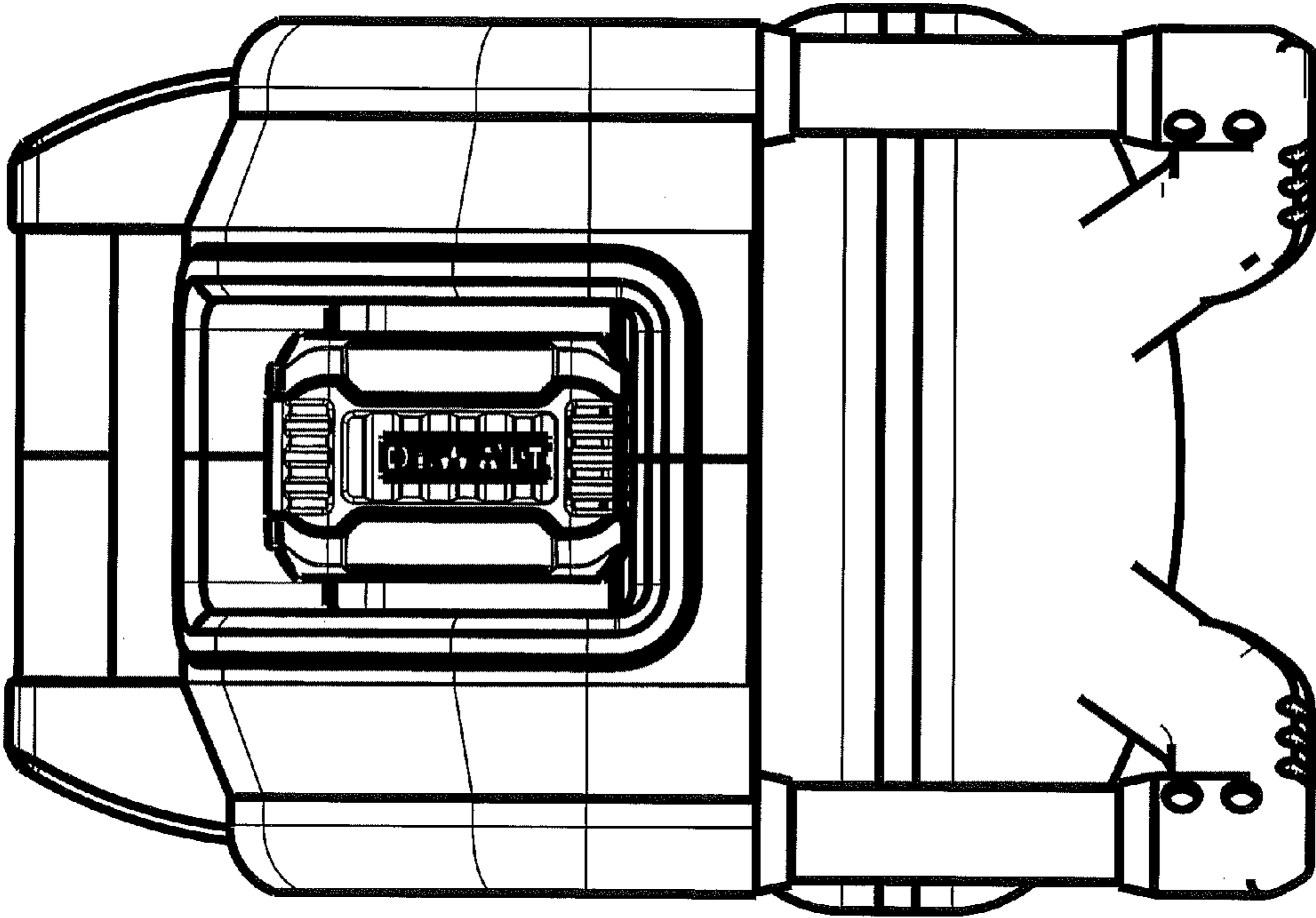


FIG. 3

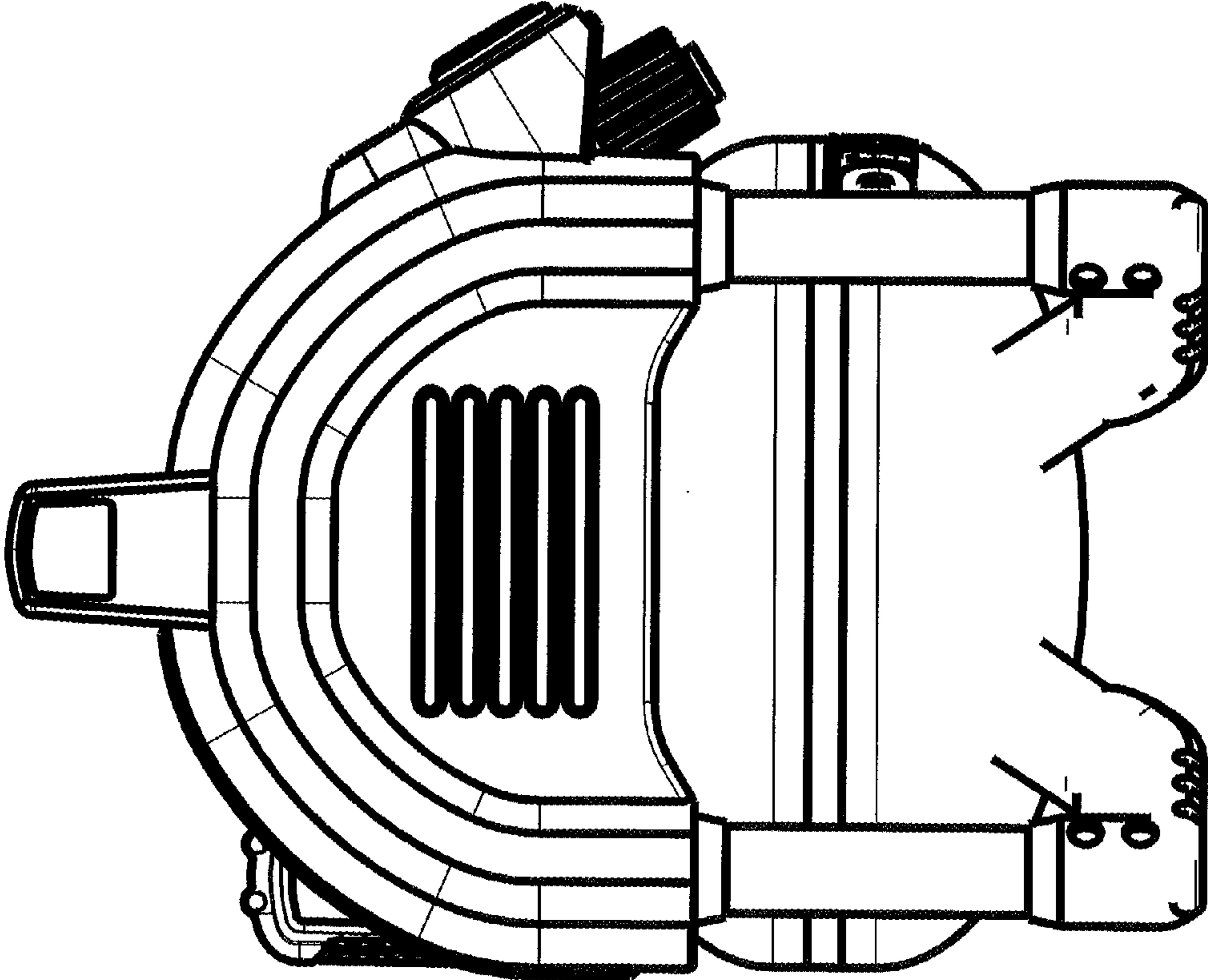


FIG. 4

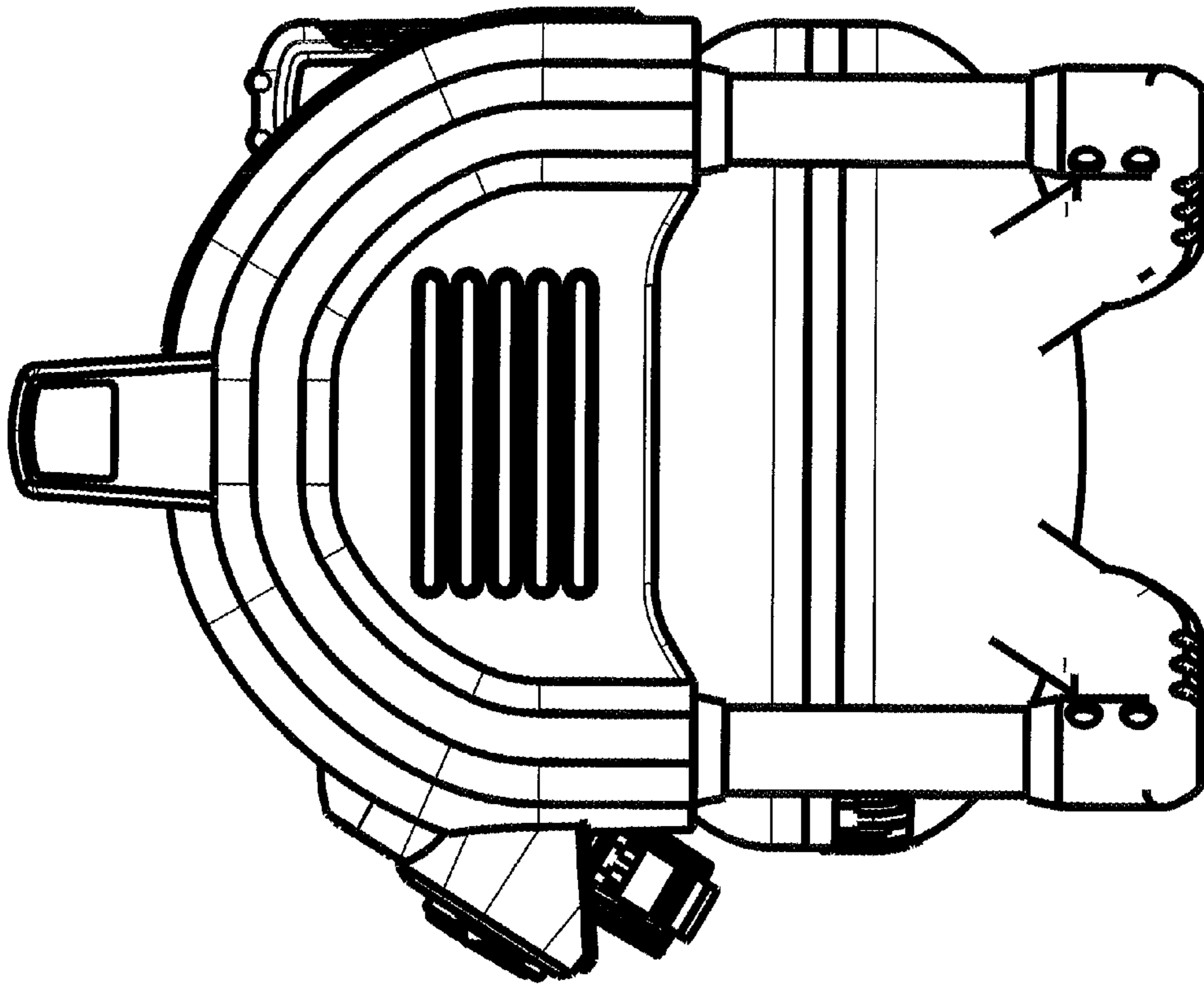


FIG. 5

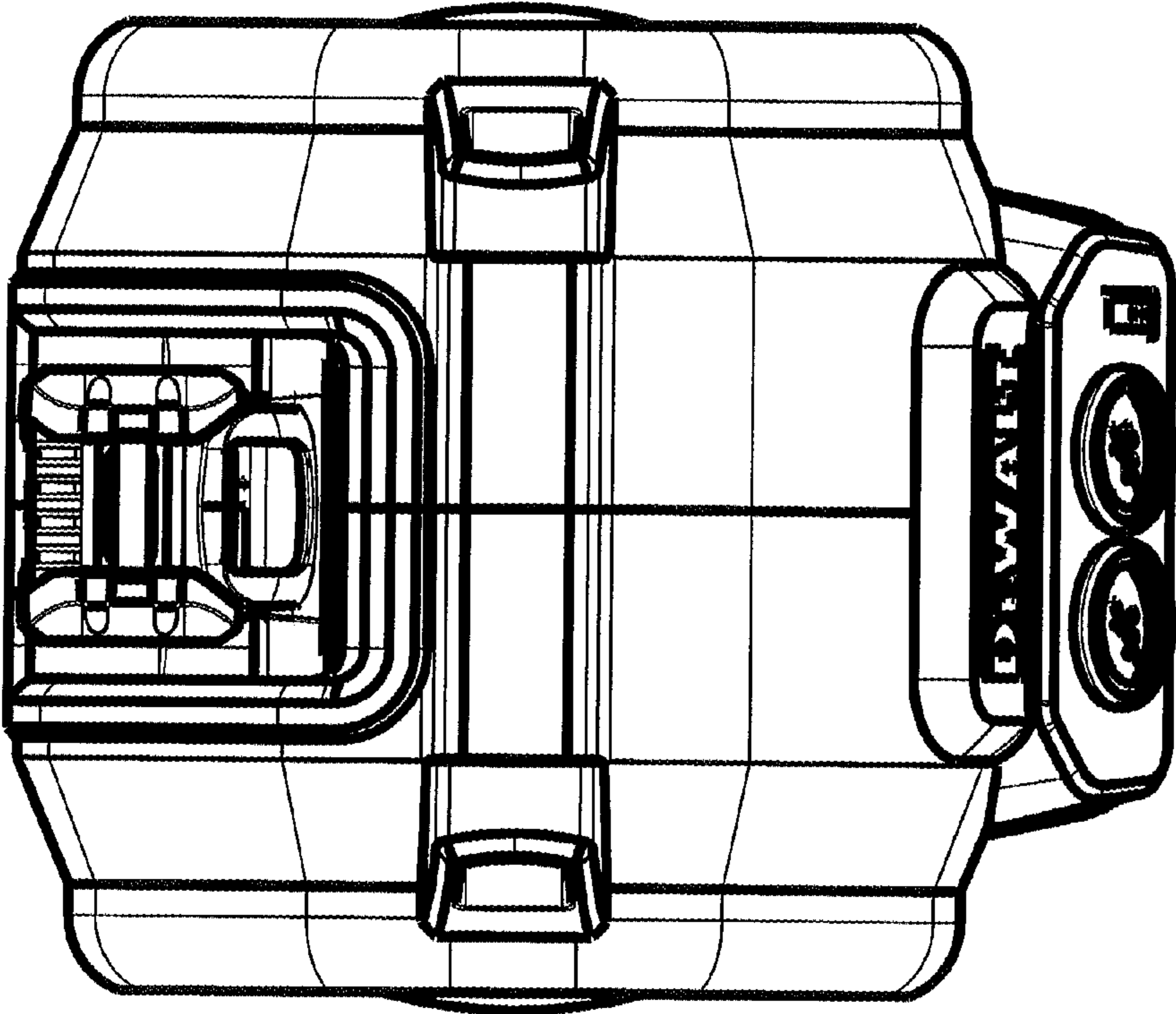


FIG. 6

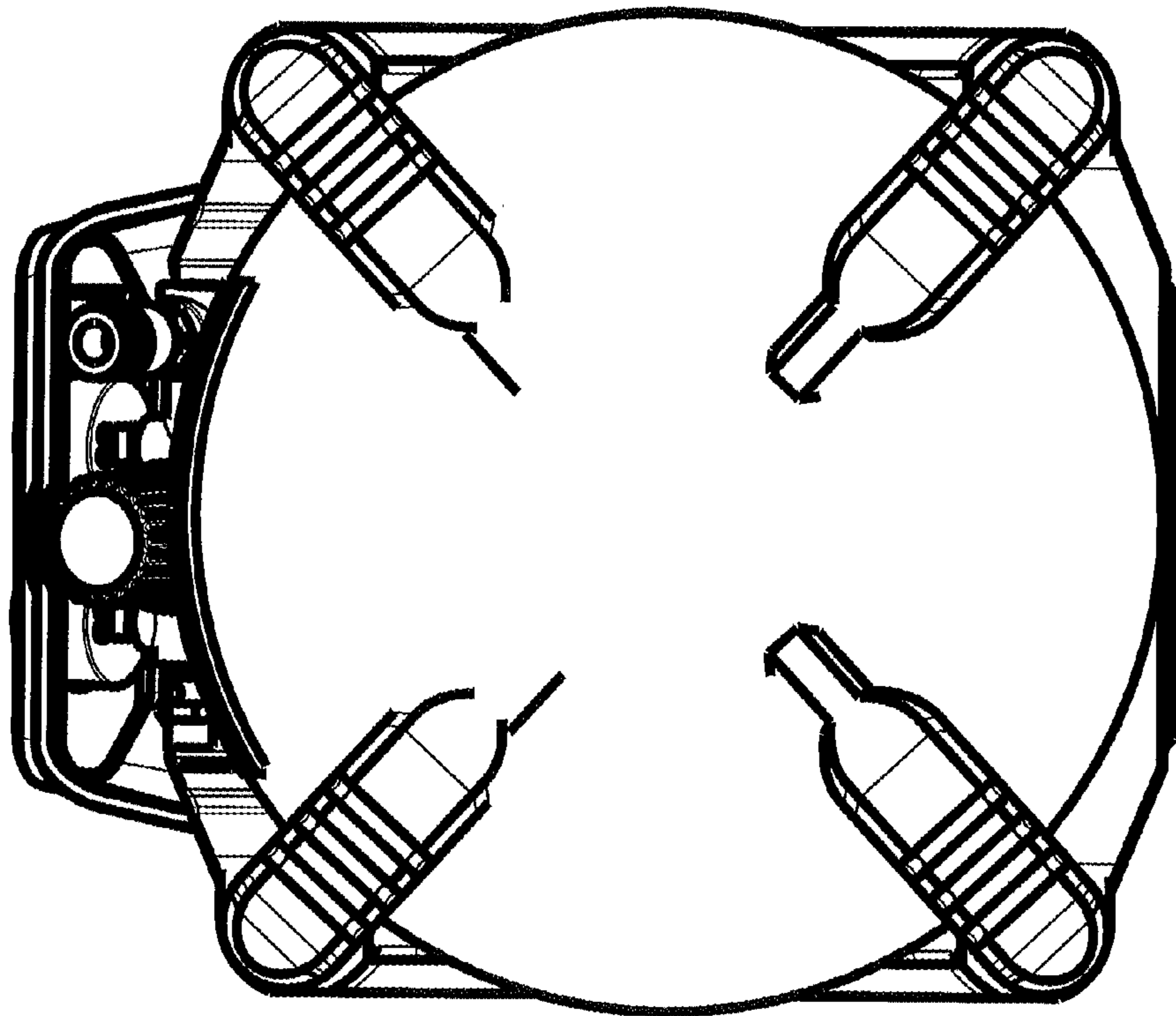


FIG. 7

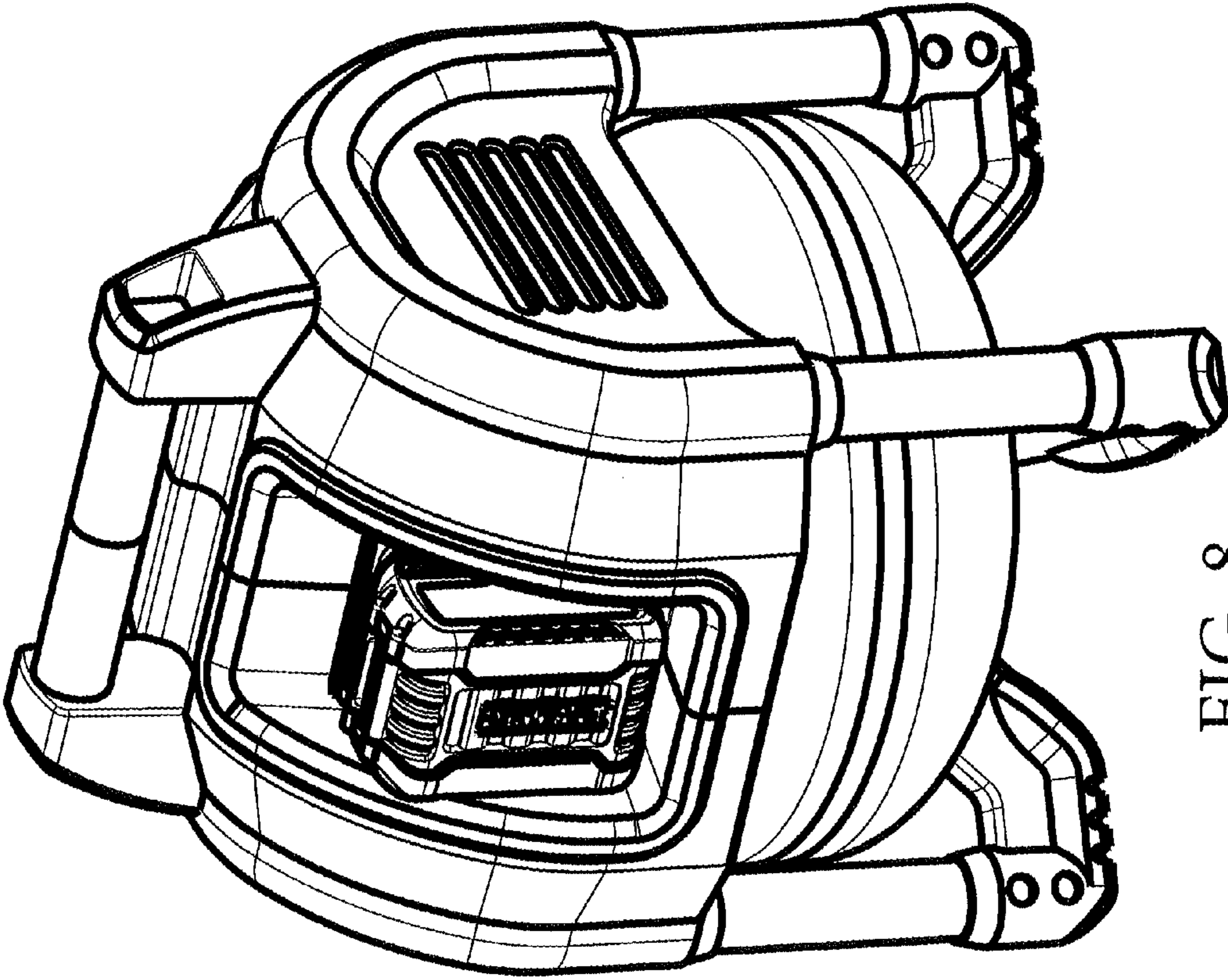


FIG. 8