



US00D774514S

(12) **United States Design Patent**  
**Turksu et al.**

(10) **Patent No.:** **US D774,514 S**

(45) **Date of Patent:** **\*\* Dec. 20, 2016**

(54) **MEMORY CARD READER**

(71) Applicant: **SARIANA, LLC**, San Diego, CA (US)

(72) Inventors: **Alan Turksu**, San Diego, CA (US);  
**Mustafa Burak Guclu**, San Diego, CA (US)

(73) Assignee: **SARIANA, LLC**, San Diego, CA (US)

(\*\*) Term: **15 Years**

(21) Appl. No.: **29/546,447**

(22) Filed: **Nov. 23, 2015**

(51) **LOC (10) Cl.** ..... **14-03**

(52) **U.S. Cl.**  
USPC ..... **D14/480.5**

(58) **Field of Classification Search**  
USPC ..... D14/435.1, 480.1–480.7, 411, 433, 436,  
D14/484.1, 137, 155, 203.1–203.8, 240,  
D14/242; D13/133, 154, 144  
CPC ..... H05K 5/0278; G06K 19/07732  
See application file for complete search history.

(56) **References Cited**

U.S. PATENT DOCUMENTS

D492,307 S *	6/2004	Aqqad	.....	D14/480.5
D610,156 S *	2/2010	Mudrick	.....	D14/480.5
D642,585 S *	8/2011	Lan	.....	D14/480.5
D665,734 S *	8/2012	Fitch	.....	D13/107
D670,297 S *	11/2012	Huang	.....	D14/480.5
D688,255 S *	8/2013	Daniel	.....	D14/480.4
D724,080 S *	3/2015	Lin	.....	D14/356
D729,277 S *	5/2015	Uchida	.....	D14/435.1
D736,150 S *	8/2015	Liu	.....	D13/108
D737,201 S *	8/2015	Liu	.....	D13/108

D753,090 S *	4/2016	Langhammer	.....	D14/203.3
D754,131 S *	4/2016	Shim	.....	D14/435
2013/0224976 A1 *	8/2013	Yu	.....	H01R 35/02 439/164

\* cited by examiner

*Primary Examiner* — Angela J Lee

(74) *Attorney, Agent, or Firm* — Wagenknecht IP Law Group PC

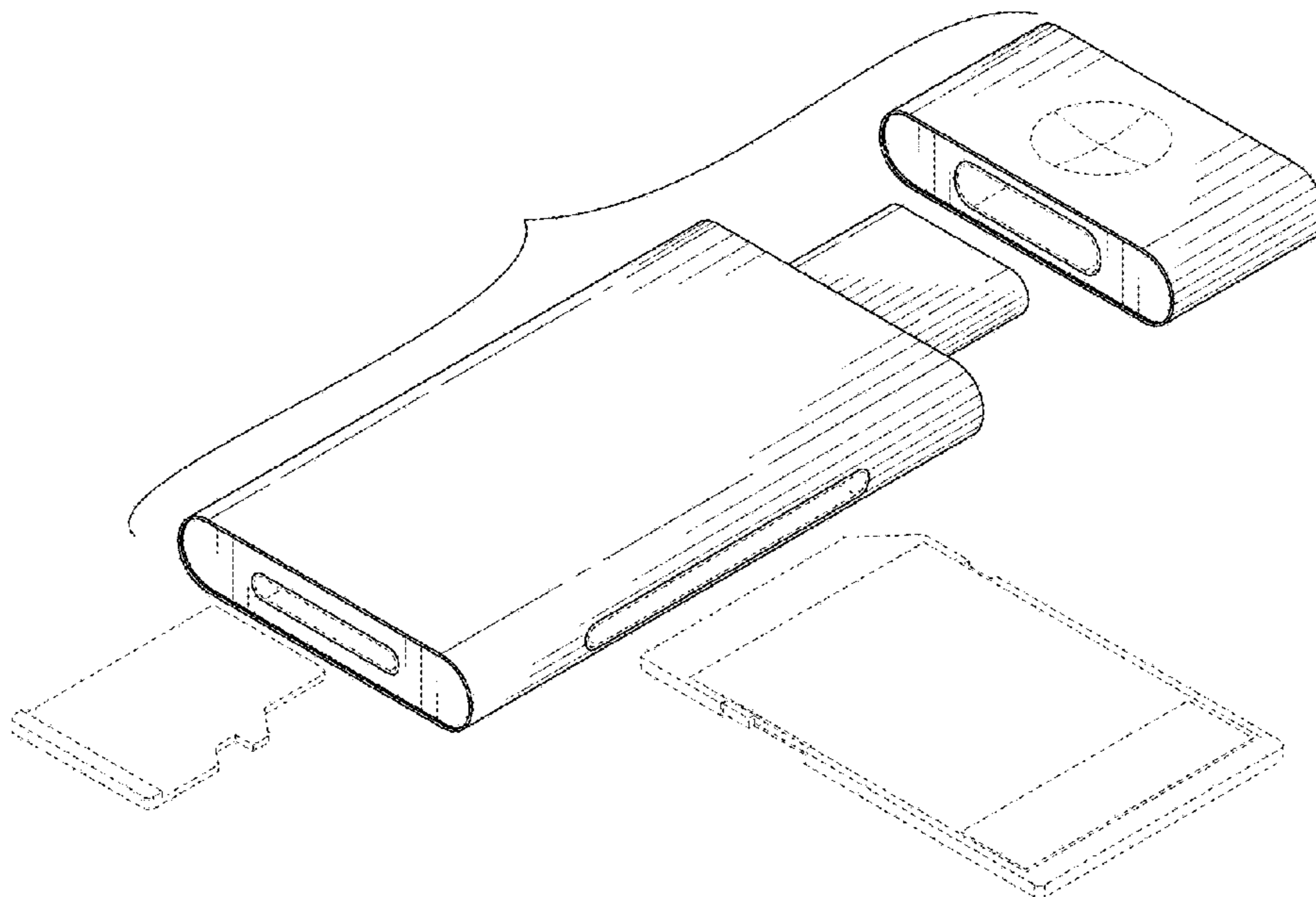
(57) **CLAIM**

What is claimed is an ornamental design for a memory card reader, as shown and described.

**DESCRIPTION**

FIG. 1 is a top, front, left perspective view of a memory card reader in a closed configuration showing our new design; FIG. 2 is a front elevational view thereof; FIG. 3 is a back elevational view thereof; FIG. 4 is a right elevational view thereof; FIG. 5 is a left elevational view thereof; FIG. 6 is a top plan view thereof; FIG. 7 is a bottom plan view thereof; FIG. 8 is a top, front, left perspective view of the memory card reader showing our new design in an open configuration; FIG. 9 is a right elevational view thereof; FIG. 10 is a left elevational view thereof; FIG. 11 is a top plan view thereof; FIG. 12 is a bottom plan view thereof; and, FIG. 13 is a top, back, right perspective view thereof shown with memory cards. Wherein the broken lines are for illustrative purposes only and form no part of the claimed design.

**1 Claim, 8 Drawing Sheets**



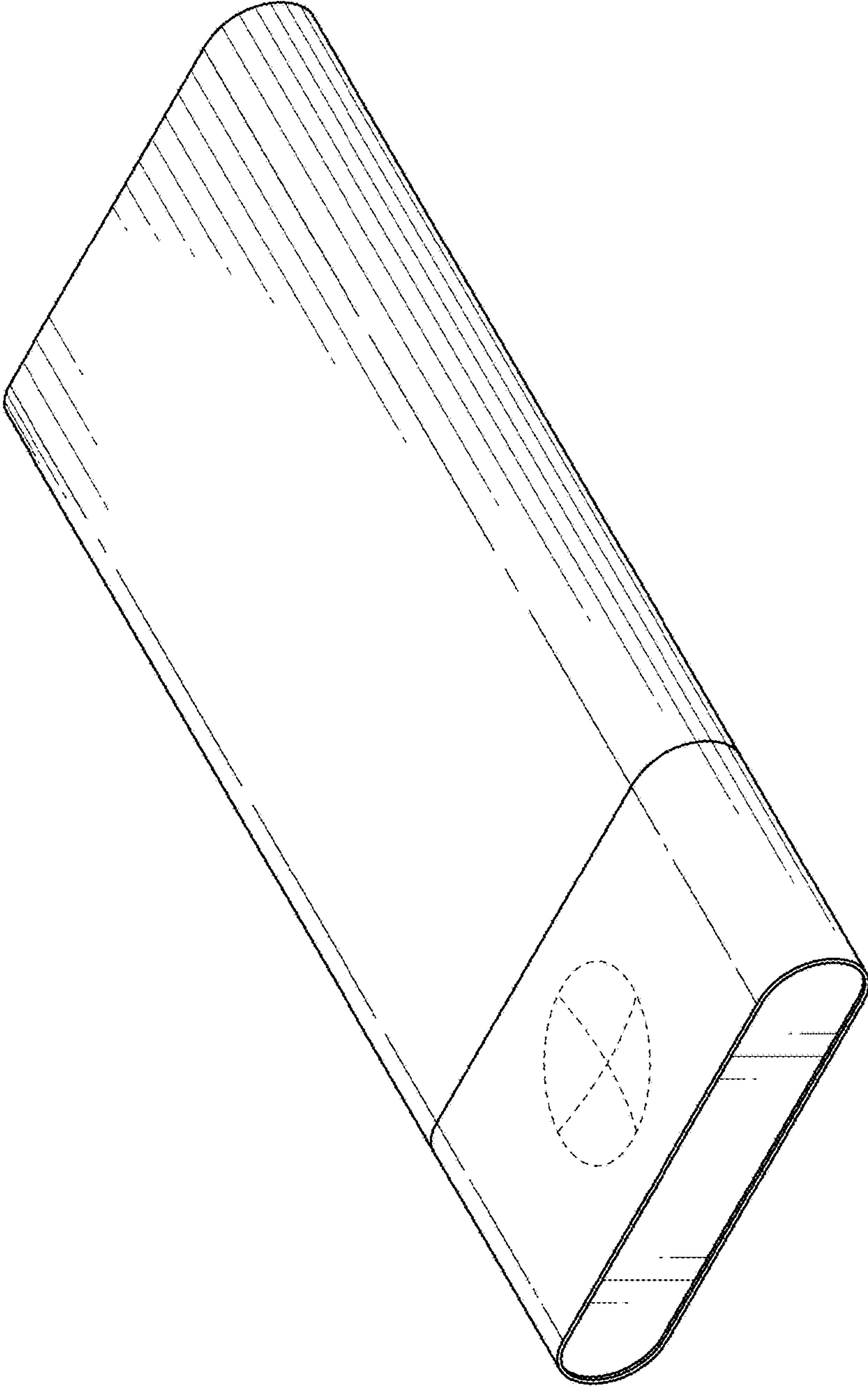


FIG. 1

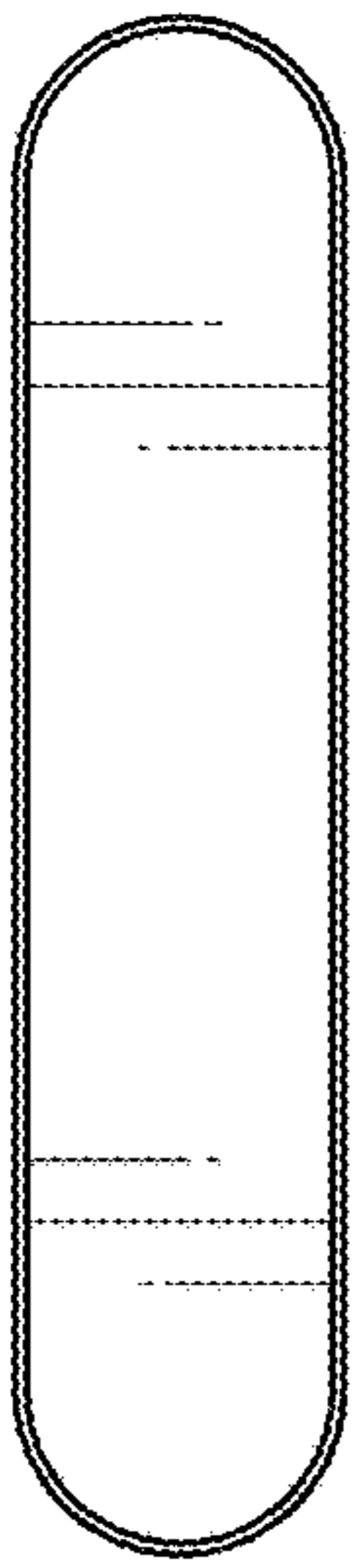


FIG. 2

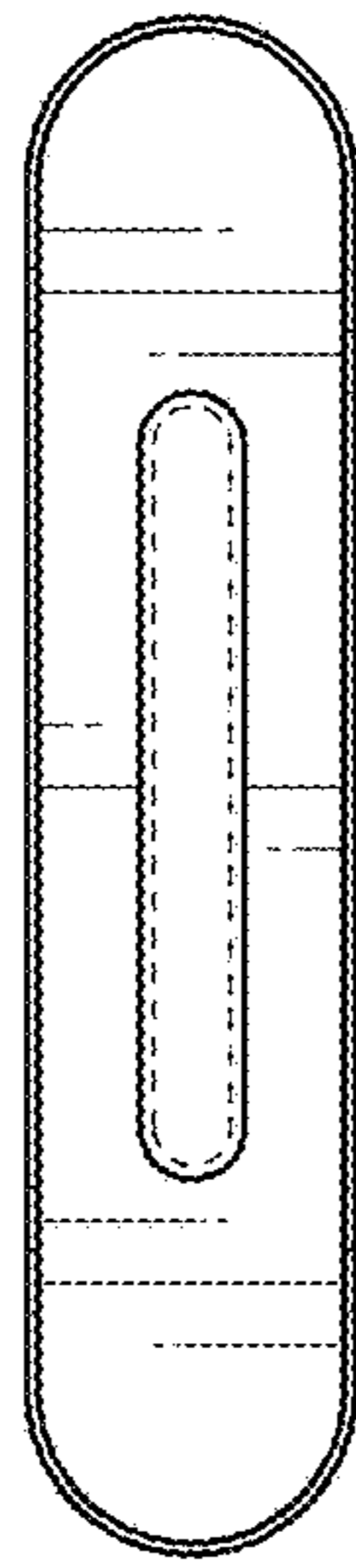


FIG. 3

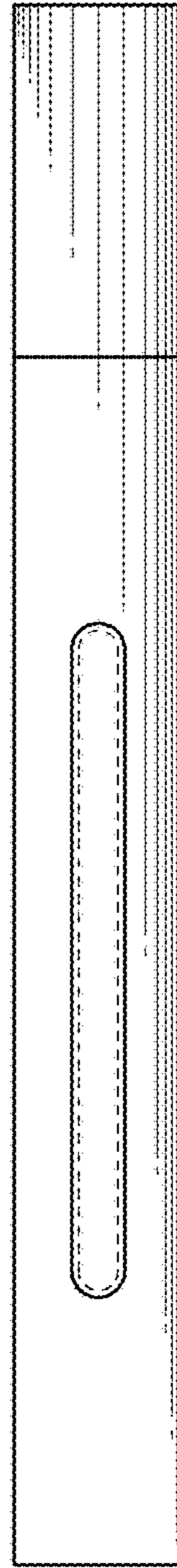


FIG. 4

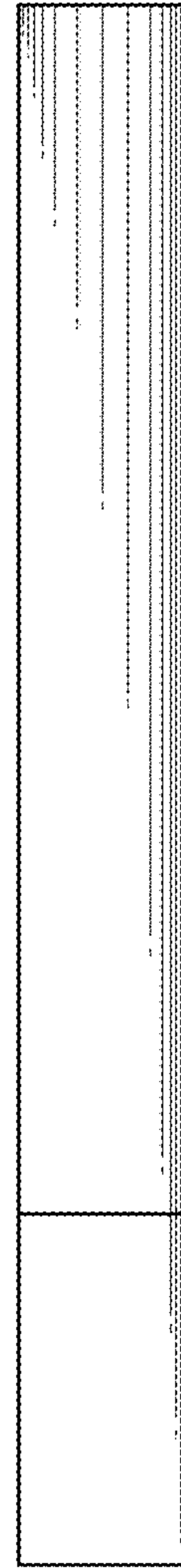


FIG. 5

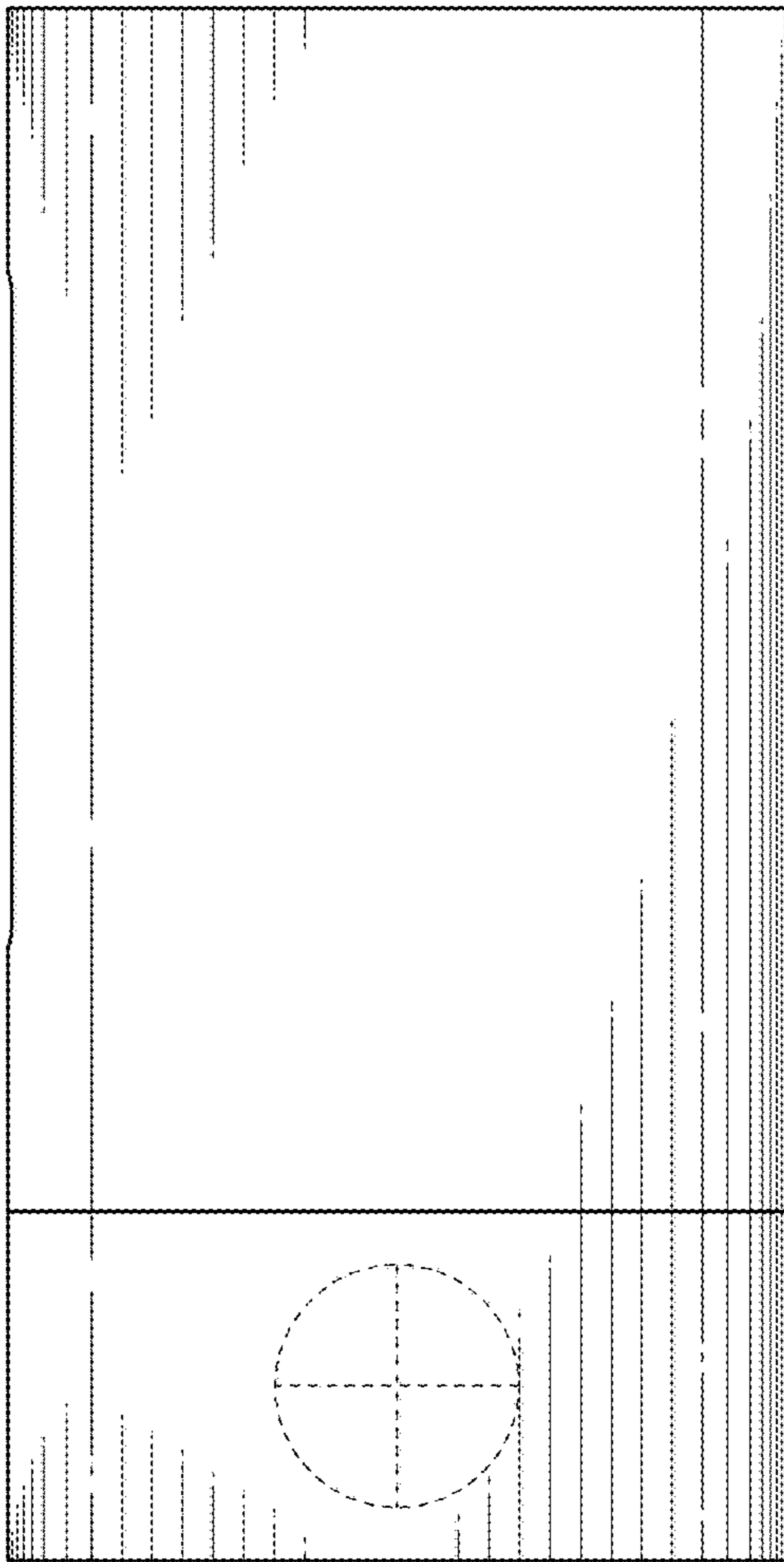


FIG. 6

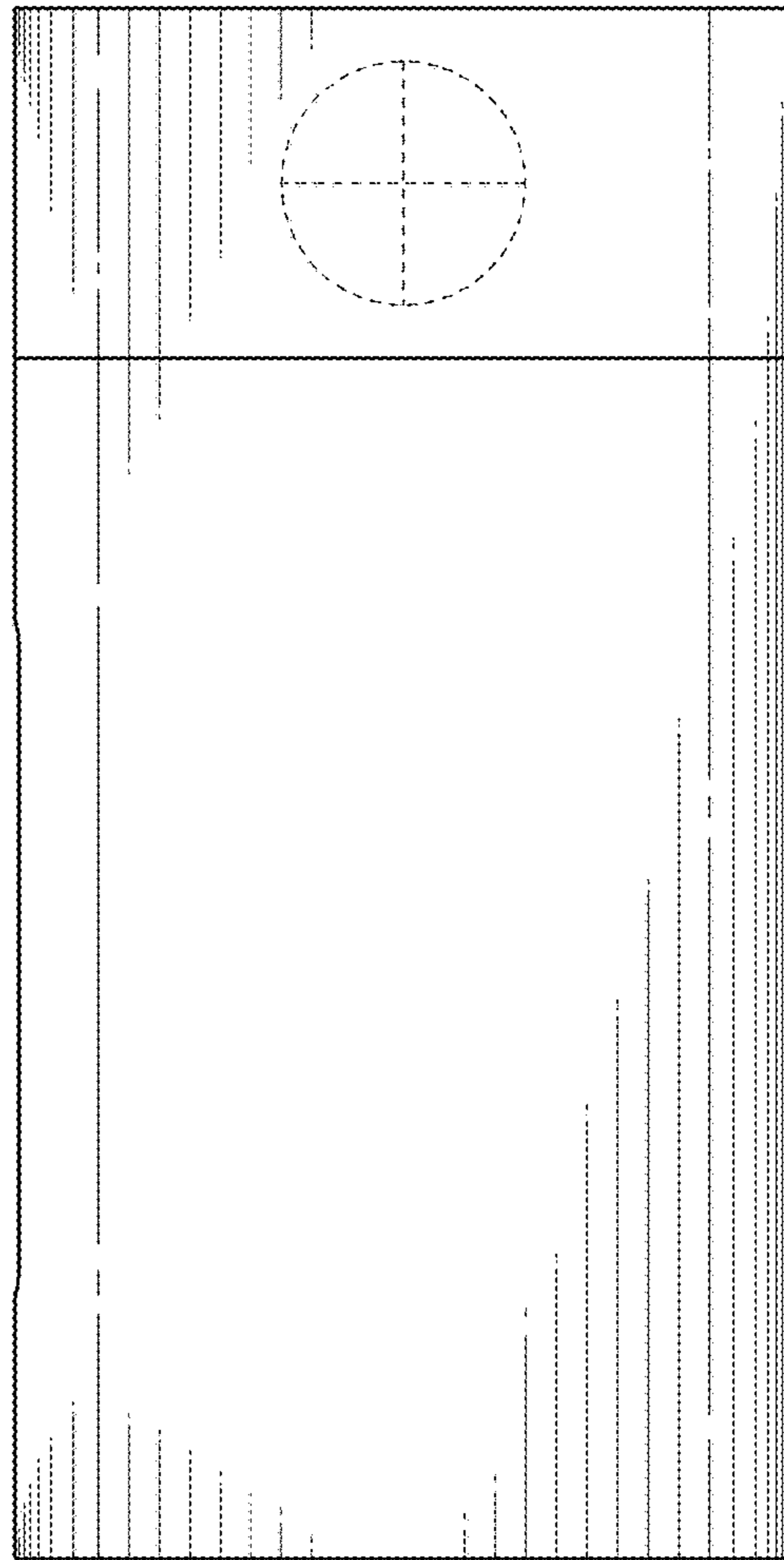


FIG. 7

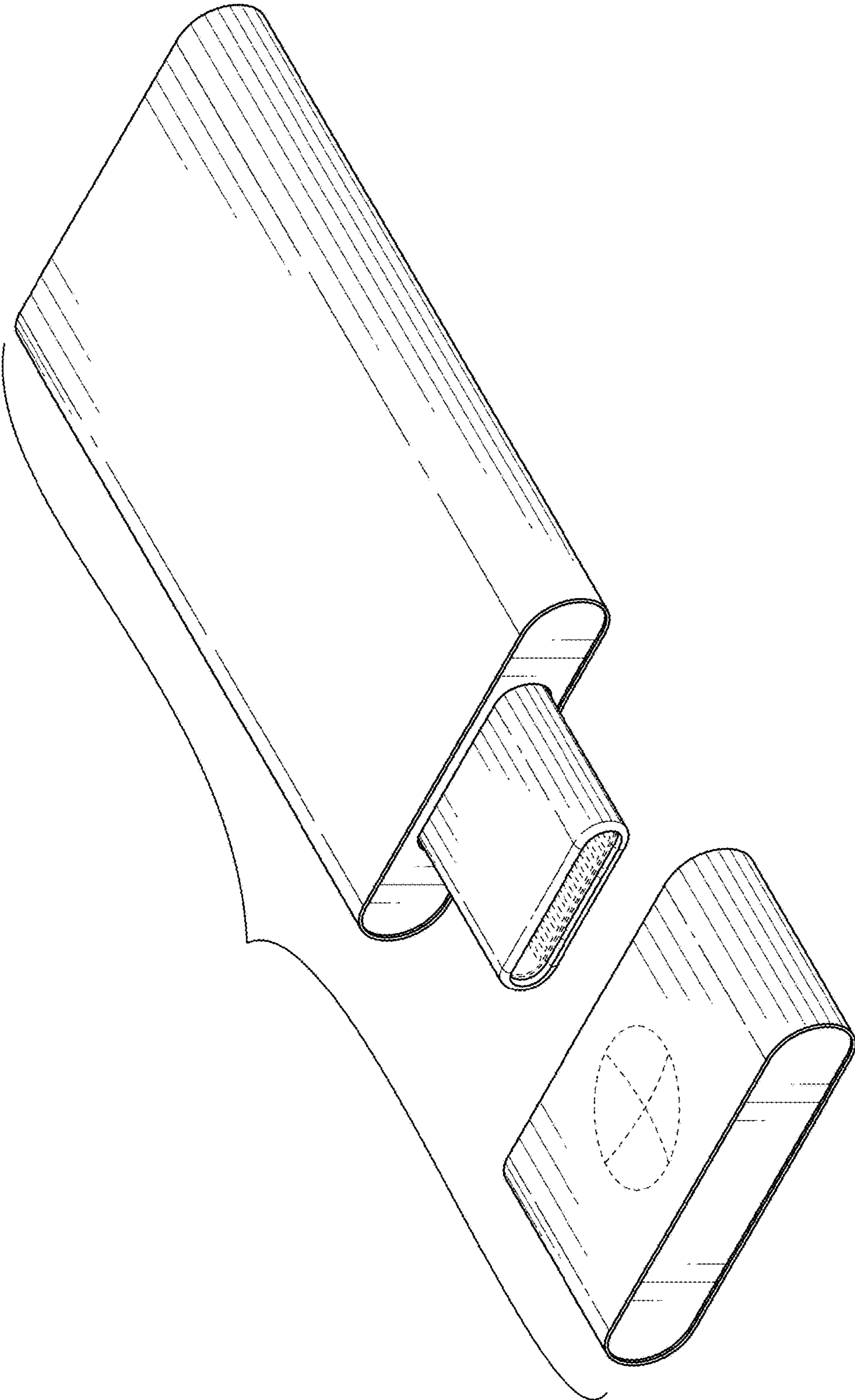


FIG. 8

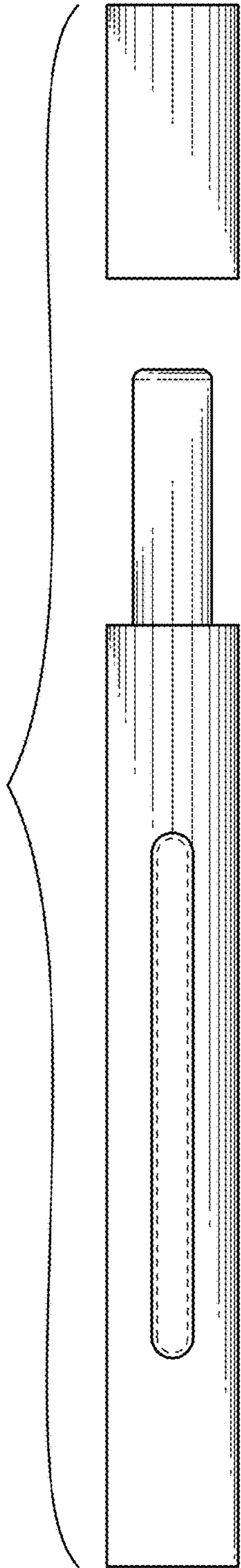


FIG. 9

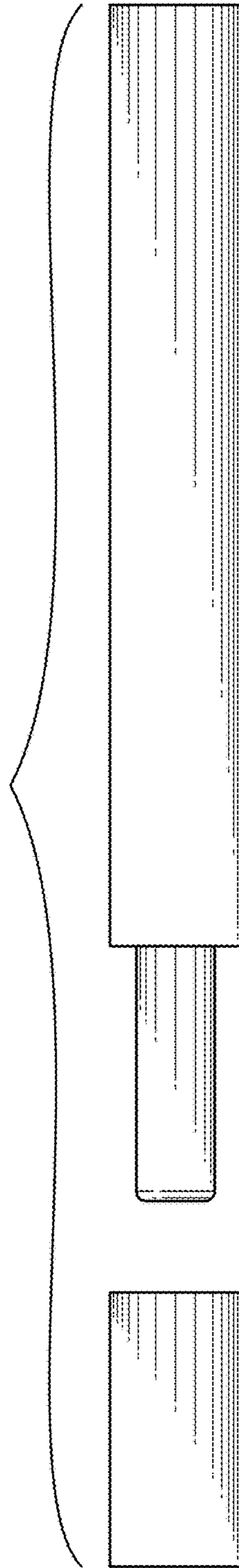


FIG. 10

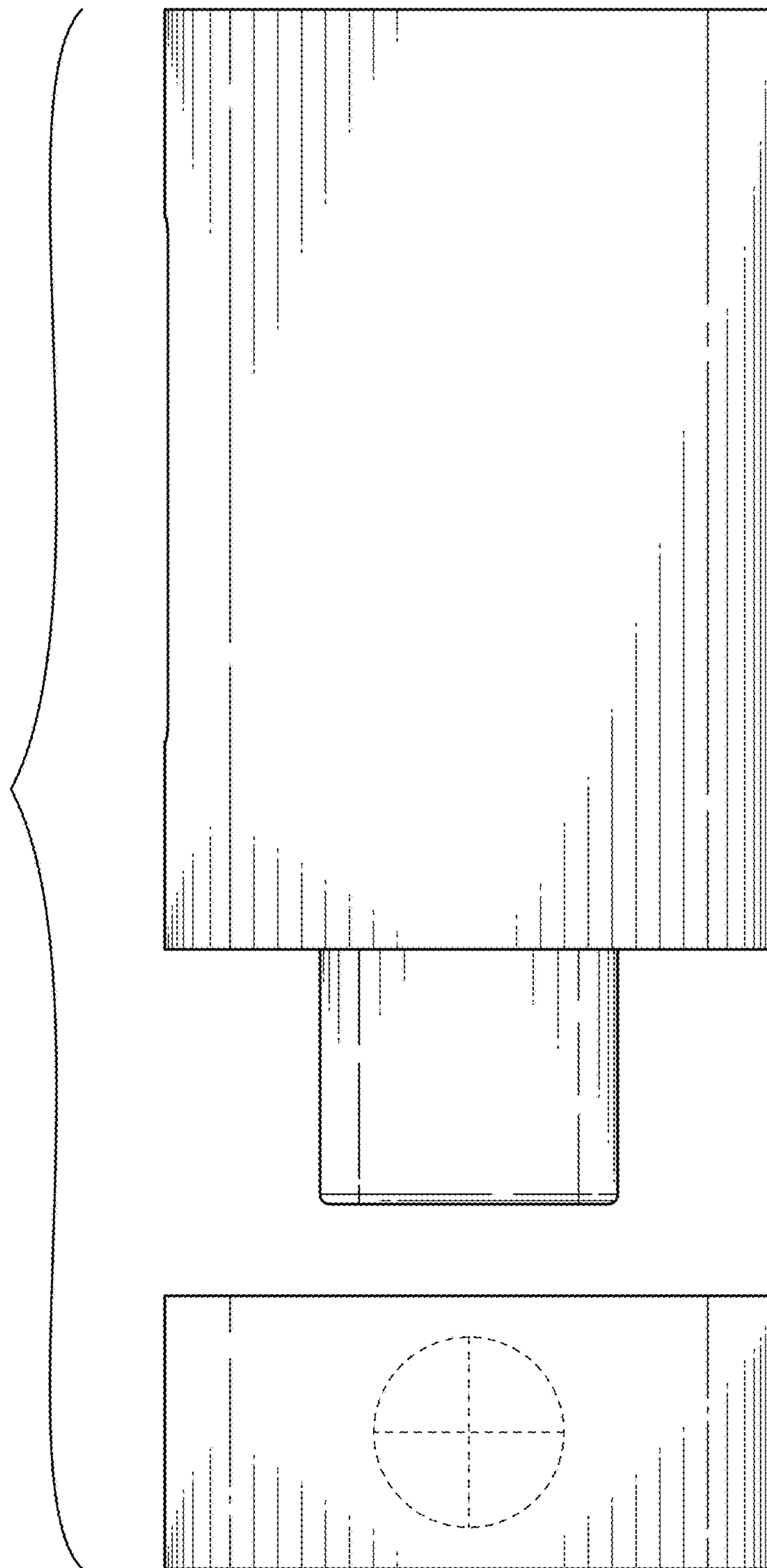


FIG. 11

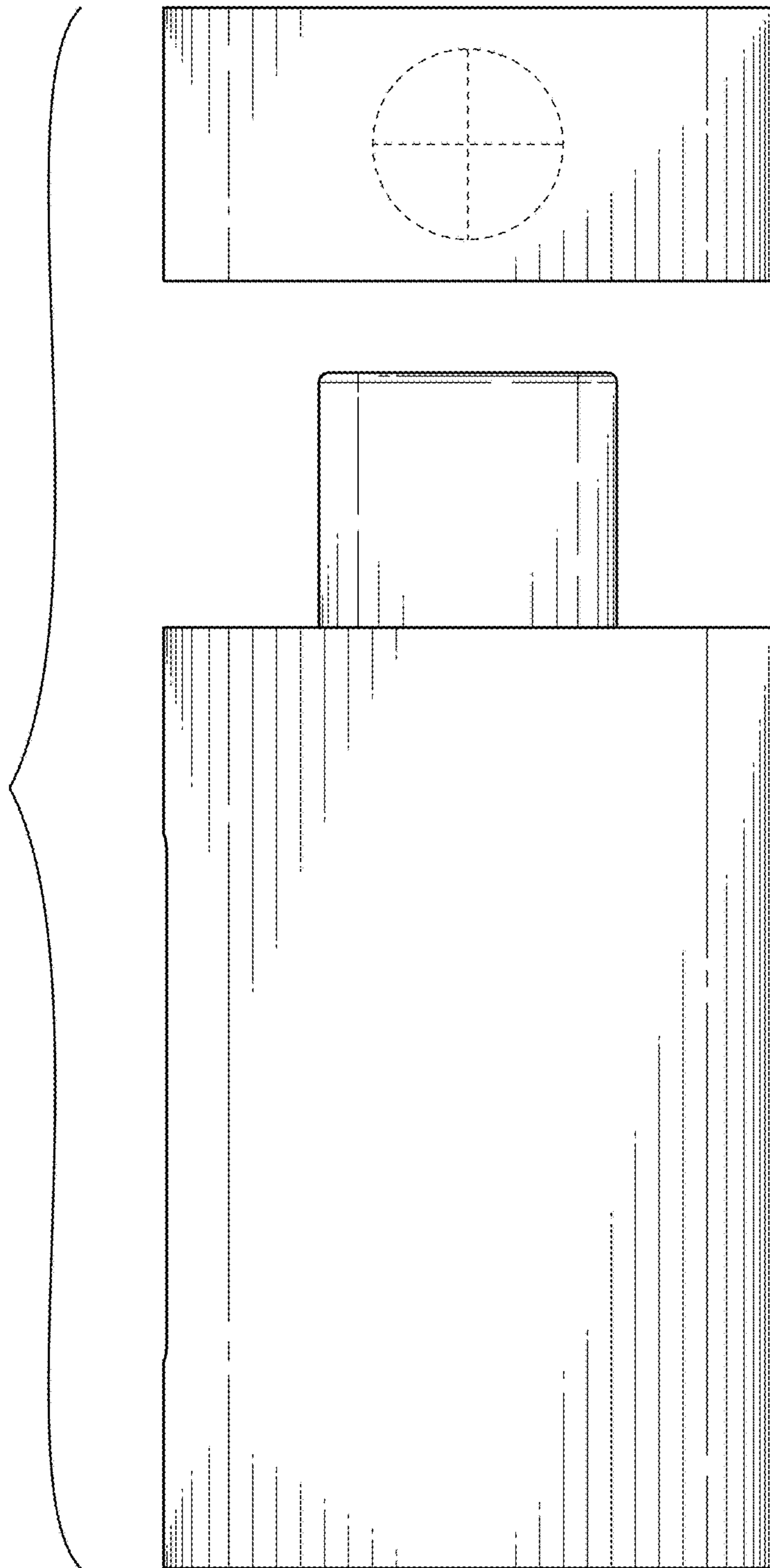


FIG. 12



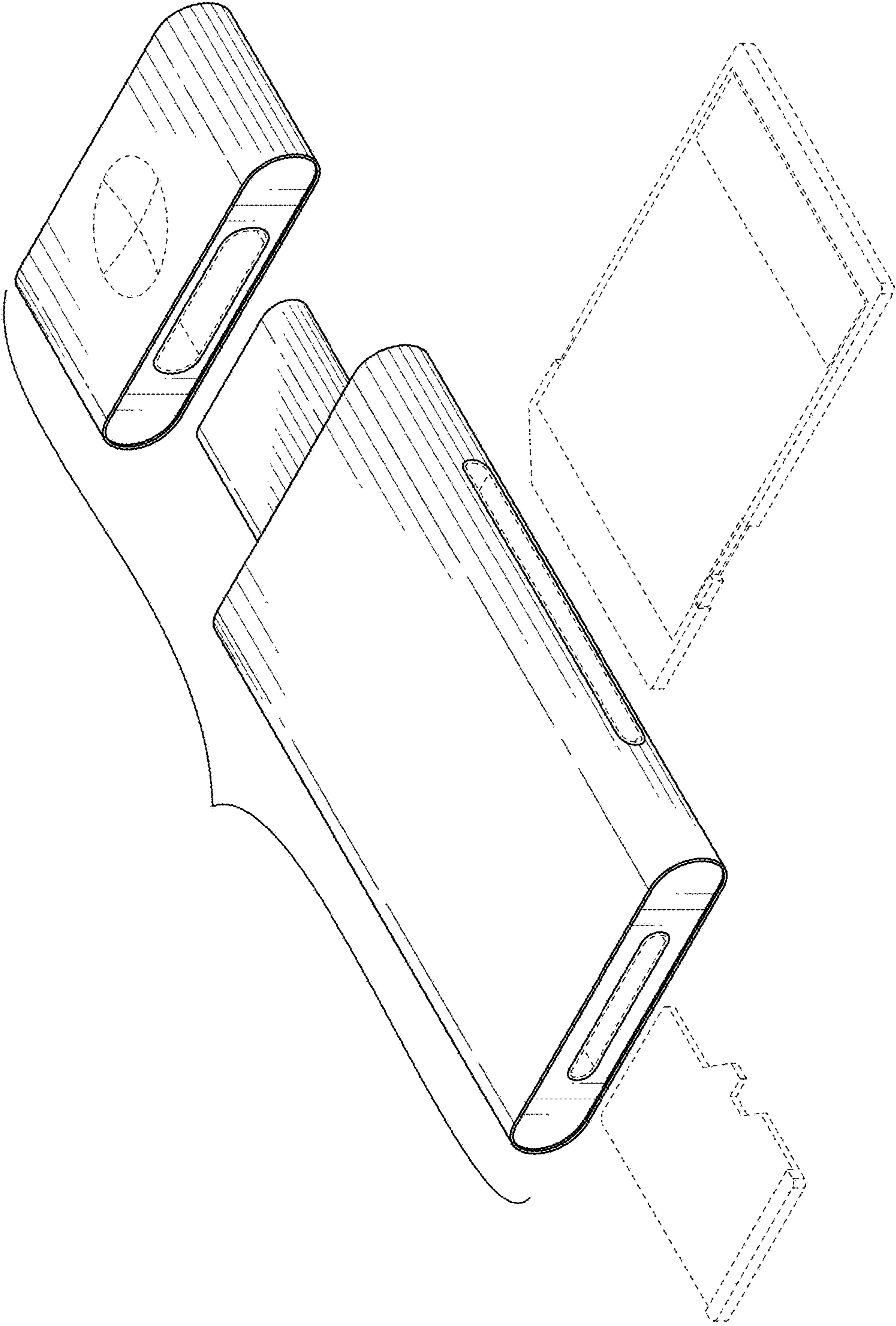


FIG. 13