



US00D774510S

(12) **United States Design Patent**
Rotsaert

(10) **Patent No.:** **US D774,510 S**
(45) **Date of Patent:** **** Dec. 20, 2016**

- (54) **CARD READER CONNECTION DEVICE**
- (71) Applicant: **ROAM Data, Inc.**, Boston, MA (US)
- (72) Inventor: **Christopher Rotsaert**, Wasquehal (FR)
- (73) Assignee: **ROAM Data, Inc.**, Boston, MA (US)
- (**) Term: **14 Years**
- (21) Appl. No.: **29/514,479**
- (22) Filed: **Jan. 13, 2015**
- (51) **LOC (10) Cl.** **14-02**
- (52) **U.S. Cl.**
USPC **D14/385**
- (58) **Field of Classification Search**
USPC D14/356-358, 383-385, 420, 426, 427,
D14/432-439, 447, 453, 454, 217, 253,
D14/299; D13/107, 108, 133, 146, 147,
D13/152, 154, 156, 158, 162, 162.1, 168,
D13/173, 177, 102; 235/441, 451, 492,
235/380, 439, 375; 361/679.31, 600,
361/679.01, 679.02

(Continued)

(56) **References Cited**

U.S. PATENT DOCUMENTS

- D422,976 S 4/2000 Su D14/385
- 6,111,977 A 8/2000 Scott et al. 382/124

(Continued)

Primary Examiner — Austin Murphy

(74) *Attorney, Agent, or Firm* — Sunstein Kann Murphy & Timbers LLP

(57) **CLAIM**

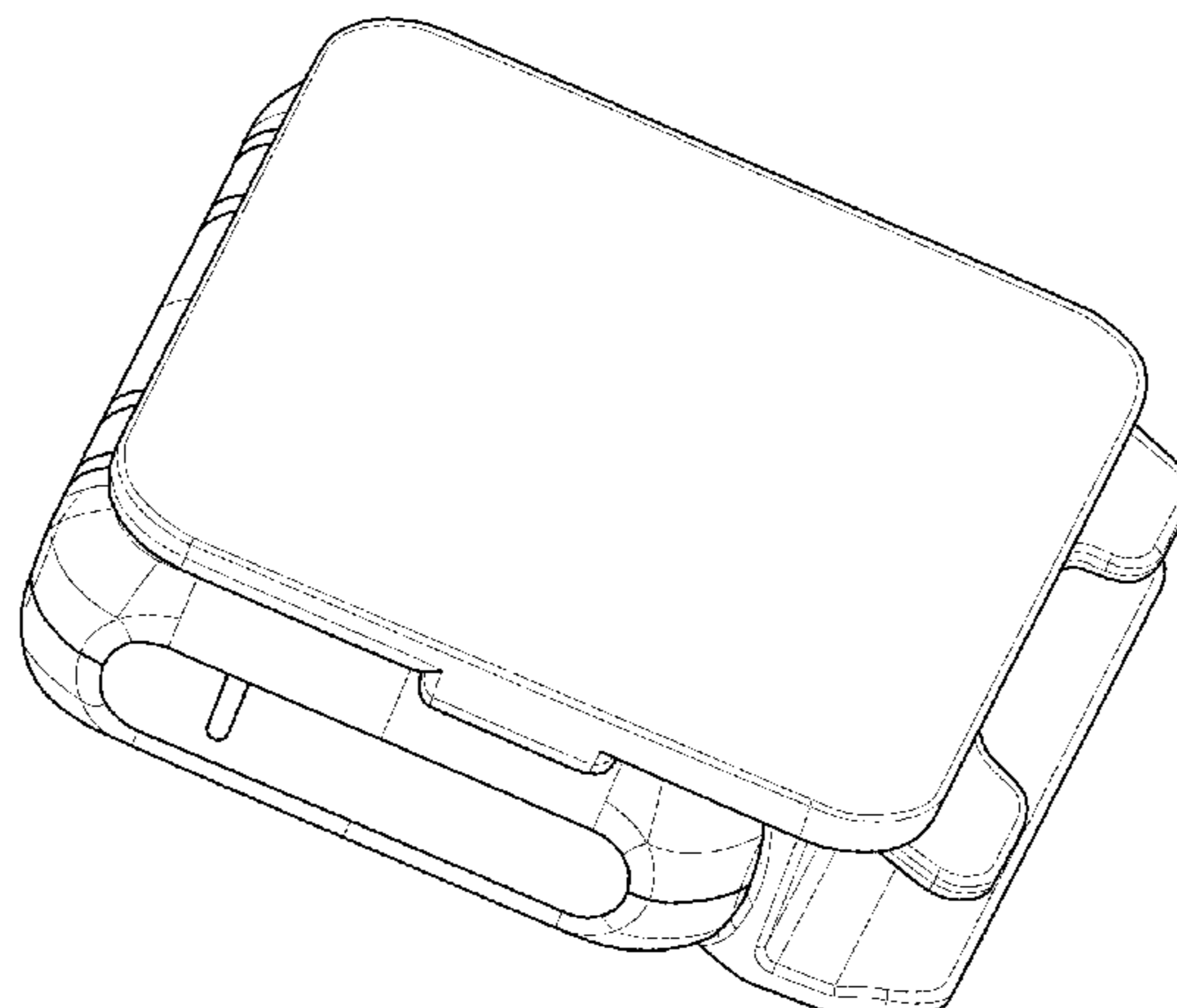
I claim the ornamental design for a card reader connection device, as shown and described.

DESCRIPTION

FIG. 1 is a back side perspective view of a card reader connection device according to a first embodiment of the present design;
 FIG. 2 is a rear view of the card reader connection device of FIG. 1;
 FIG. 3 is a front view of the card reader connection device of FIG. 1;

FIG. 4 is a side view of the card reader connection device of FIG. 1;
 FIG. 5 is a side view of the card reader connection device of FIG. 1 that is rotated 180 degrees from the view shown in FIG. 4;
 FIG. 6 is a top view of the card reader connection device of FIG. 1;
 FIG. 7 is a bottom view of the card reader connection device of FIG. 1;
 FIG. 8 is a back side perspective view of a card reader connection device according to a second embodiment of the present design that includes all of the ornamental design elements shown in FIGS. 1-7;
 FIG. 9 is a rear view of the card reader connection device of FIG. 8;
 FIG. 10 is a front view of the card reader connection device of FIG. 8;
 FIG. 11 is a side view of the card reader connection device of FIG. 8;
 FIG. 12 is a side view of the card reader connection device of FIG. 8 that is rotated 180 degrees from the view shown in FIG. 11;
 FIG. 13 is a top view of the card reader connection device of FIG. 8;
 FIG. 14 is a bottom view of the card reader connection device of FIG. 8;
 FIG. 15 is a back side perspective view of a card reader connection device according to a third embodiment of the present design that includes all of the ornamental design elements shown in FIGS. 1-7 and in FIGS. 8-14;
 FIG. 16 is a rear view of the card reader connection device of FIG. 15;
 FIG. 17 is a front view of the card reader connection device of FIG. 15;
 FIG. 18 is a side view of the card reader connection device of FIG. 15;
 FIG. 19 is a side view of the card reader connection device of FIG. 15 that is rotated 180 degrees from the view shown in FIG. 18;
 FIG. 20 is a top view of the card reader connection device of FIG. 15; and,
 FIG. 21 is a bottom view of the card reader connection device of FIG. 15.

1 Claim, 15 Drawing Sheets



US D774,510 S

Page 2

(58) **Field of Classification Search**

CPC G06Q 20/347; G06Q 20/322; G06Q 40/02;
G06Q 30/06; G07F 7/0886

See application file for complete search history.

(56) **References Cited**

U.S. PATENT DOCUMENTS

D466,898 S 12/2002 Hoornaert et al. D14/387
D518,051 S 3/2006 Castro D14/387
D564,014 S 3/2008 Spence et al. D18/4.6
D590,828 S 4/2009 Sherrod et al. D14/385
D592,661 S 5/2009 Woo et al. D14/358
D599,189 S 9/2009 Nunez et al. D8/331
D607,000 S 12/2009 Cheng et al. D14/485
D624,912 S * 10/2010 Chen D14/356
D654,885 S * 2/2012 Isaias D14/125
D659,836 S 5/2012 Bensch et al. D24/167
D660,834 S * 5/2012 Akana D14/314
D667,402 S 9/2012 Maus D14/385

D671,118 S 11/2012 Wesolek D14/385
D673,153 S 12/2012 Bousfield et al. D14/385
D675,617 S 2/2013 Daniel D14/385
D676,047 S 2/2013 White et al. D14/385
D681,036 S 4/2013 Taunay da Graca
Couto D14/385
D681,639 S 5/2013 Cruz et al. D14/385
D684,574 S 6/2013 Taunay da Graca
Couto D14/385
D685,789 S 7/2013 Chang D14/383
D691,152 S 10/2013 Meisel et al. D14/480.3
D700,606 S * 3/2014 Lo D14/385
D703,670 S 4/2014 Rotsaert D14/385
D705,201 S * 5/2014 Isaacs D14/240
D706,266 S * 6/2014 Rotsaert D14/385
D711,876 S * 8/2014 McWilliam D14/385
D719,561 S * 12/2014 Akana D14/314
D734,317 S * 7/2015 Recor D14/307
D740,286 S * 10/2015 Templeton D14/385
D759,012 S * 6/2016 Golden D10/50

* cited by examiner

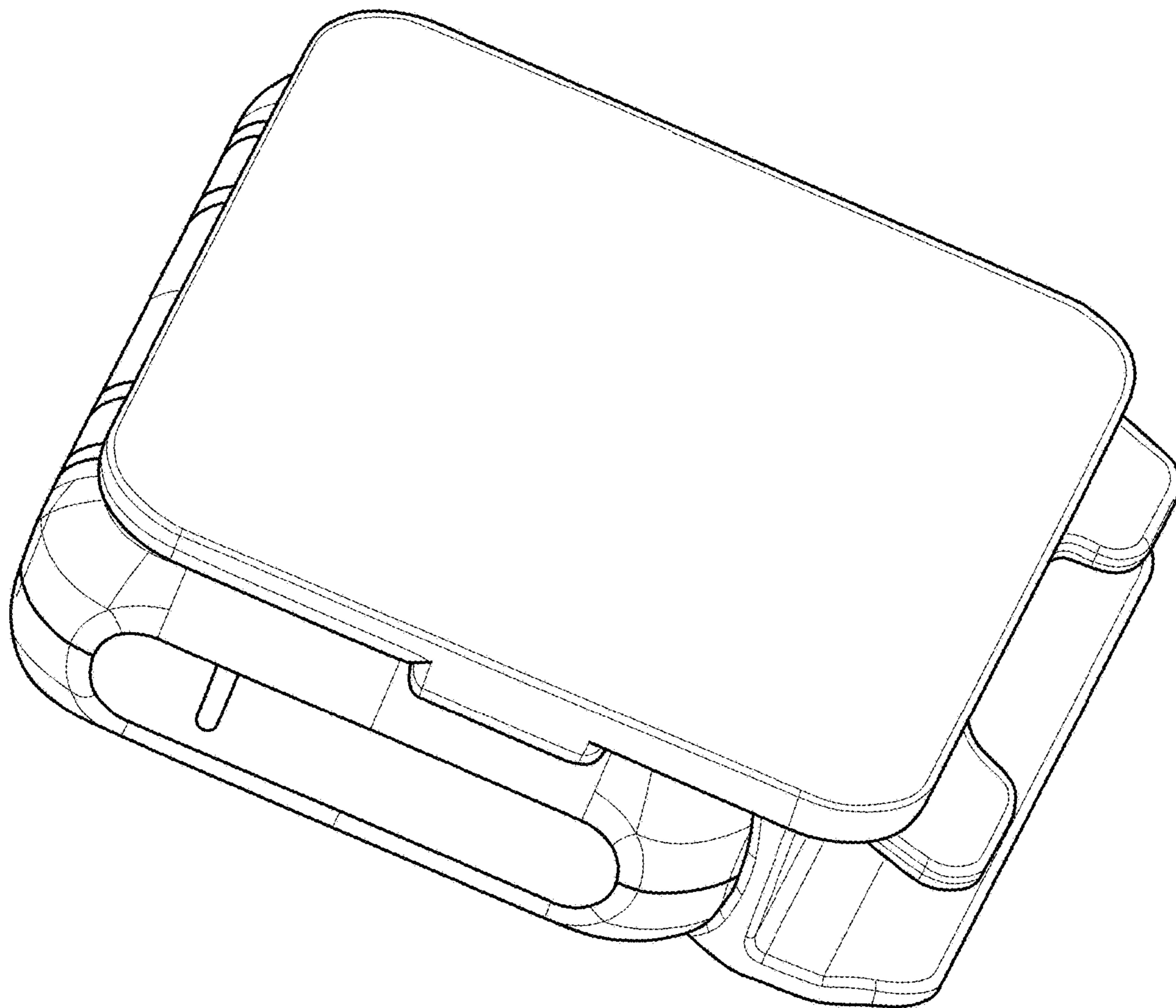


FIG. 1

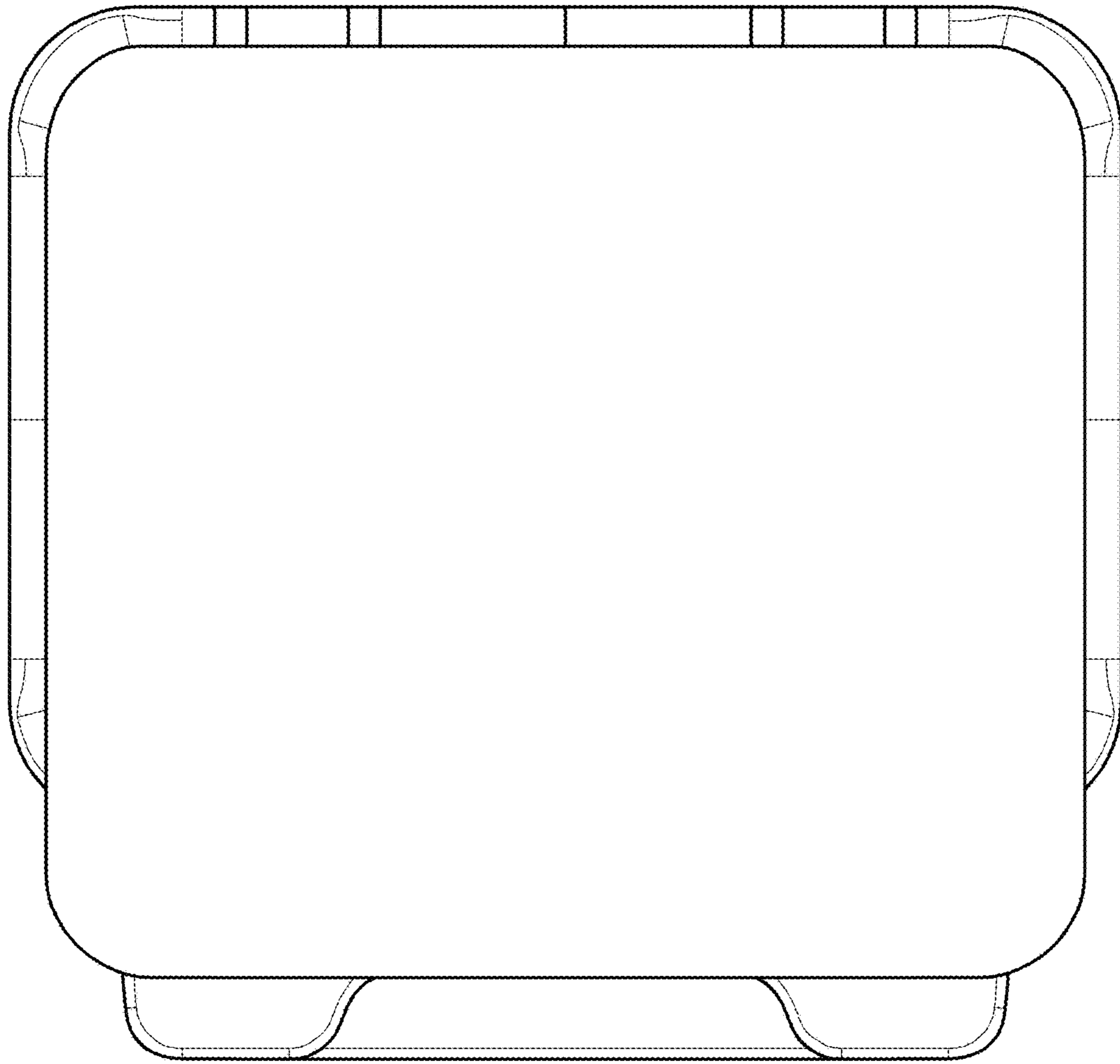


FIG. 2

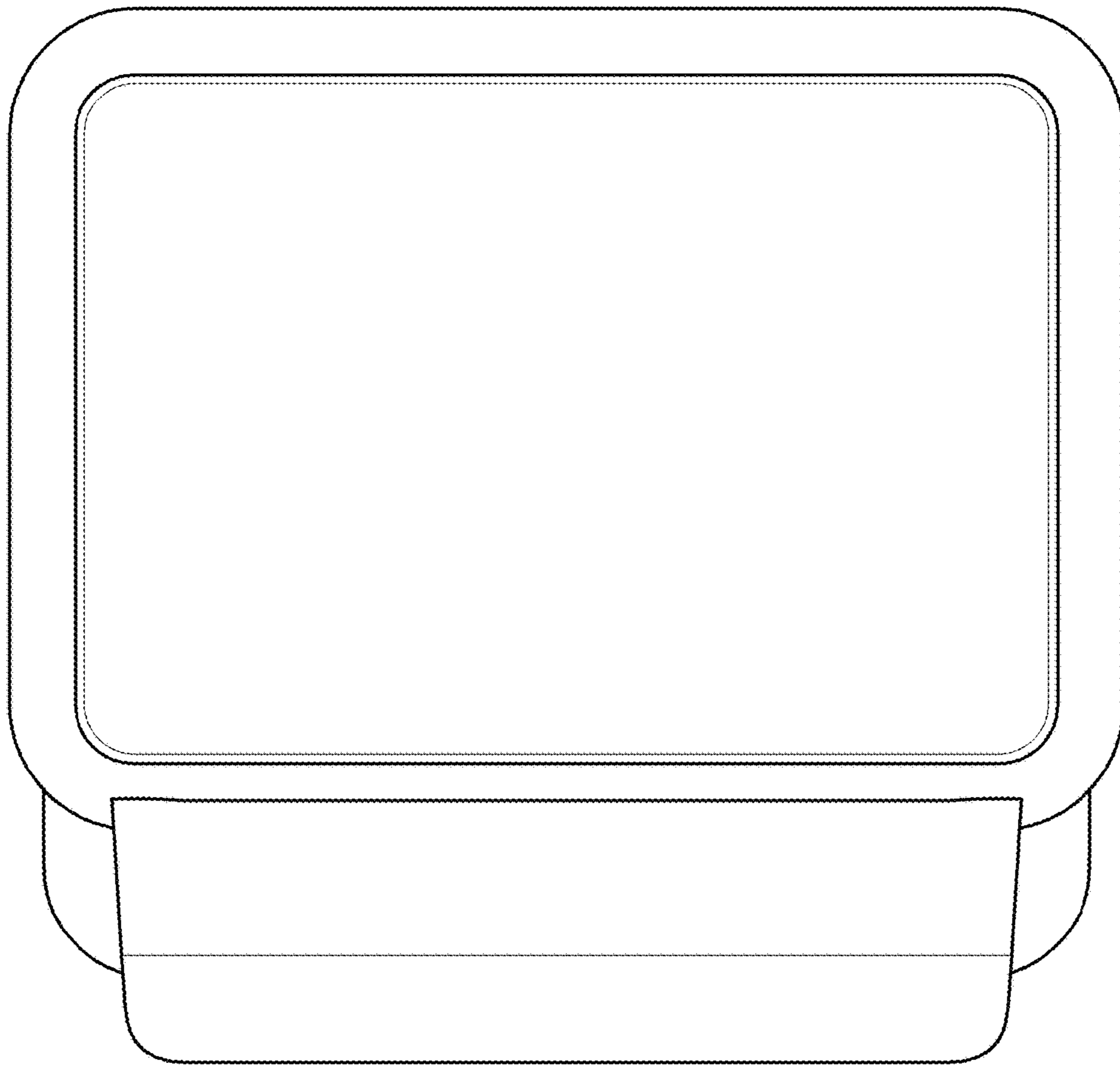


FIG. 3

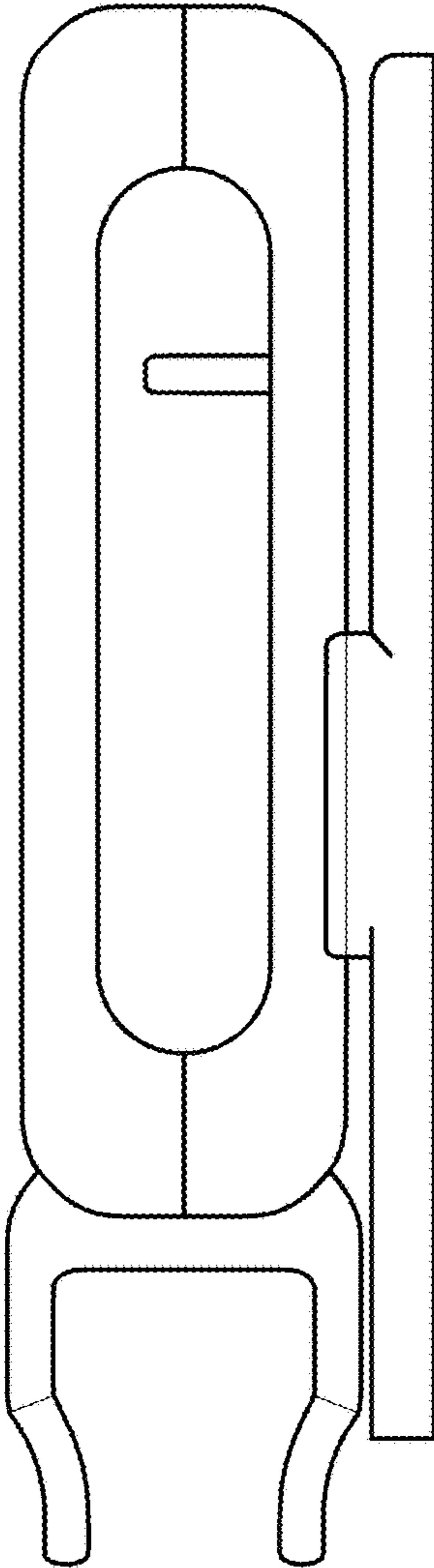


FIG. 4

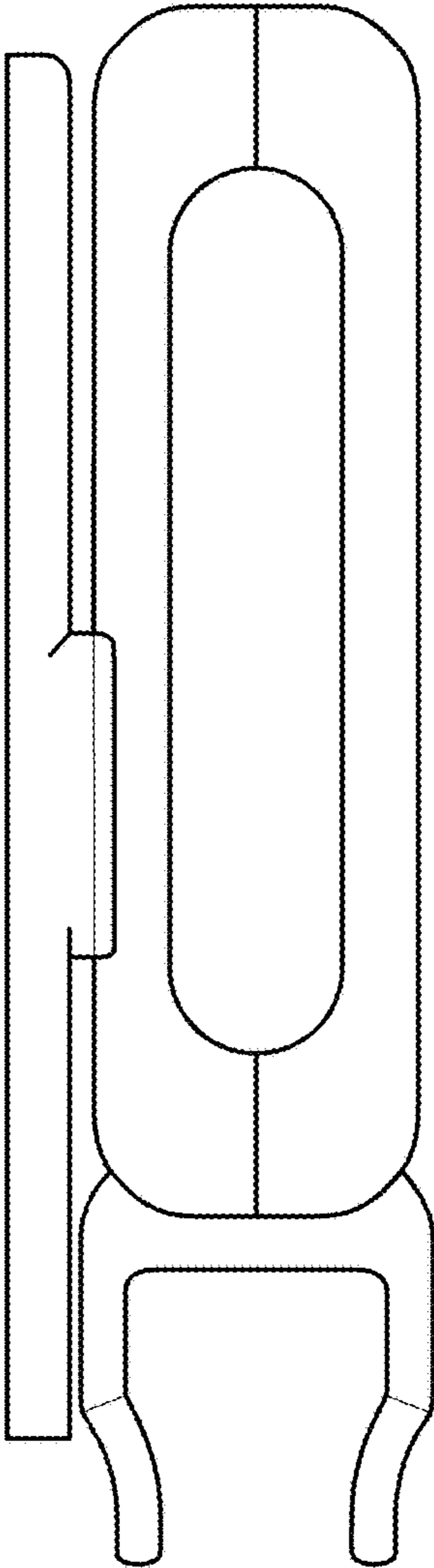


FIG. 5

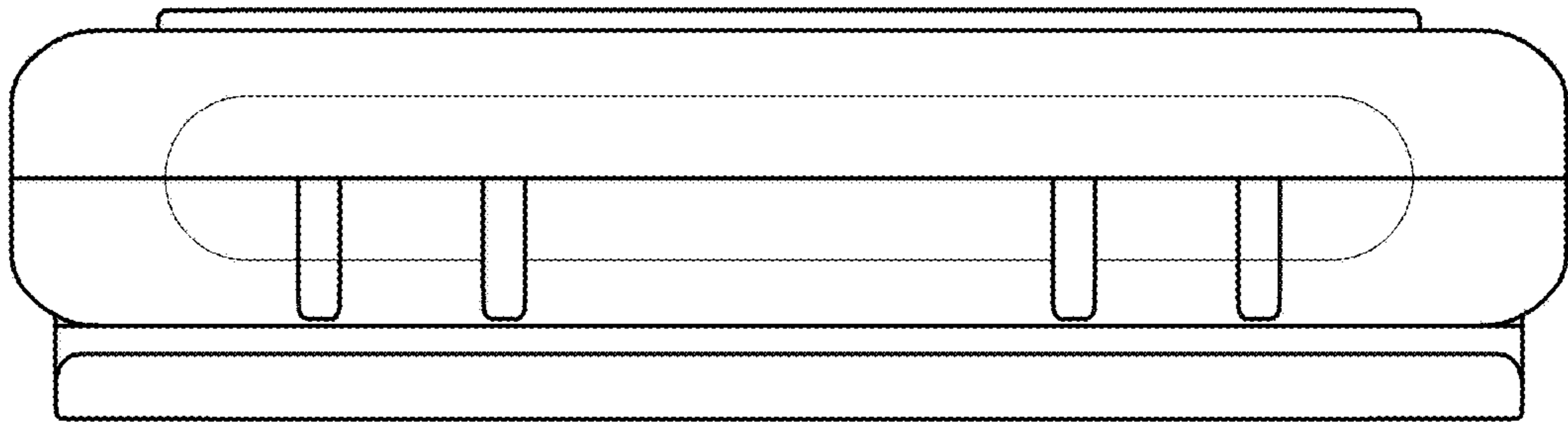


FIG. 6

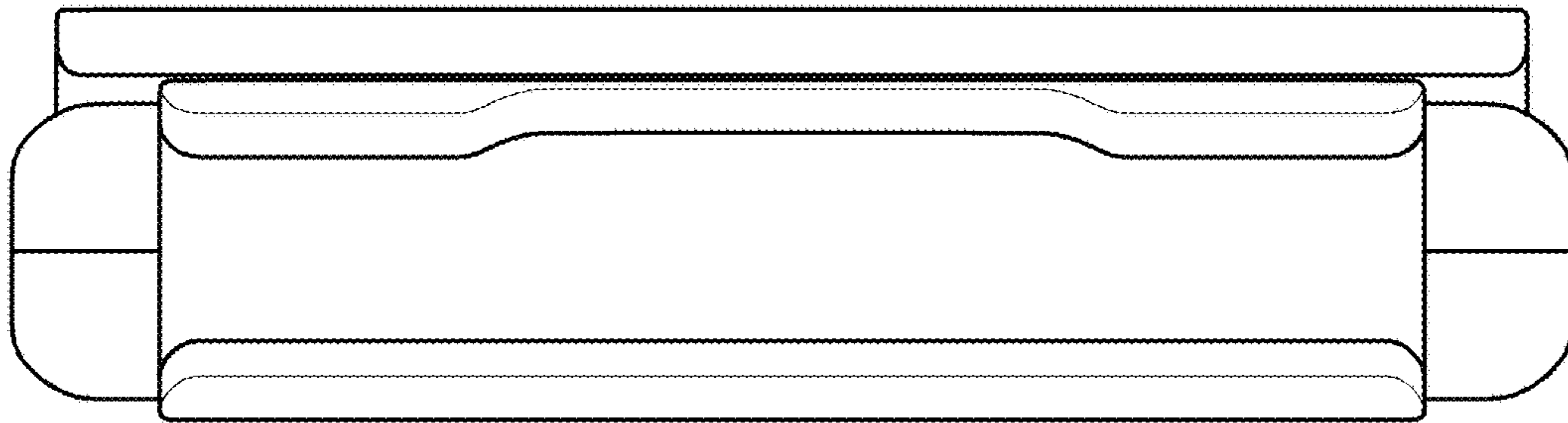


FIG. 7



FIG. 8

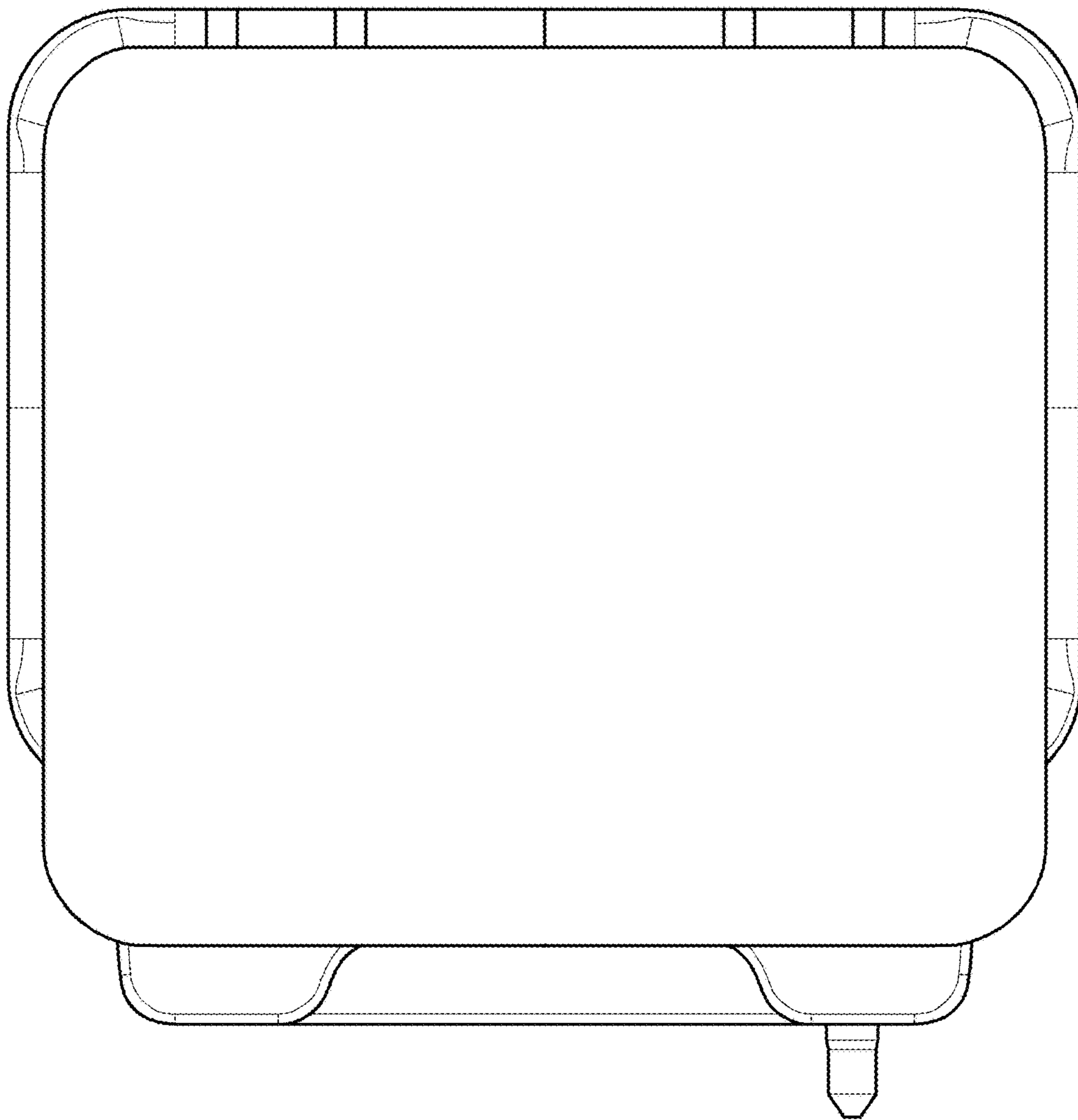


FIG. 9

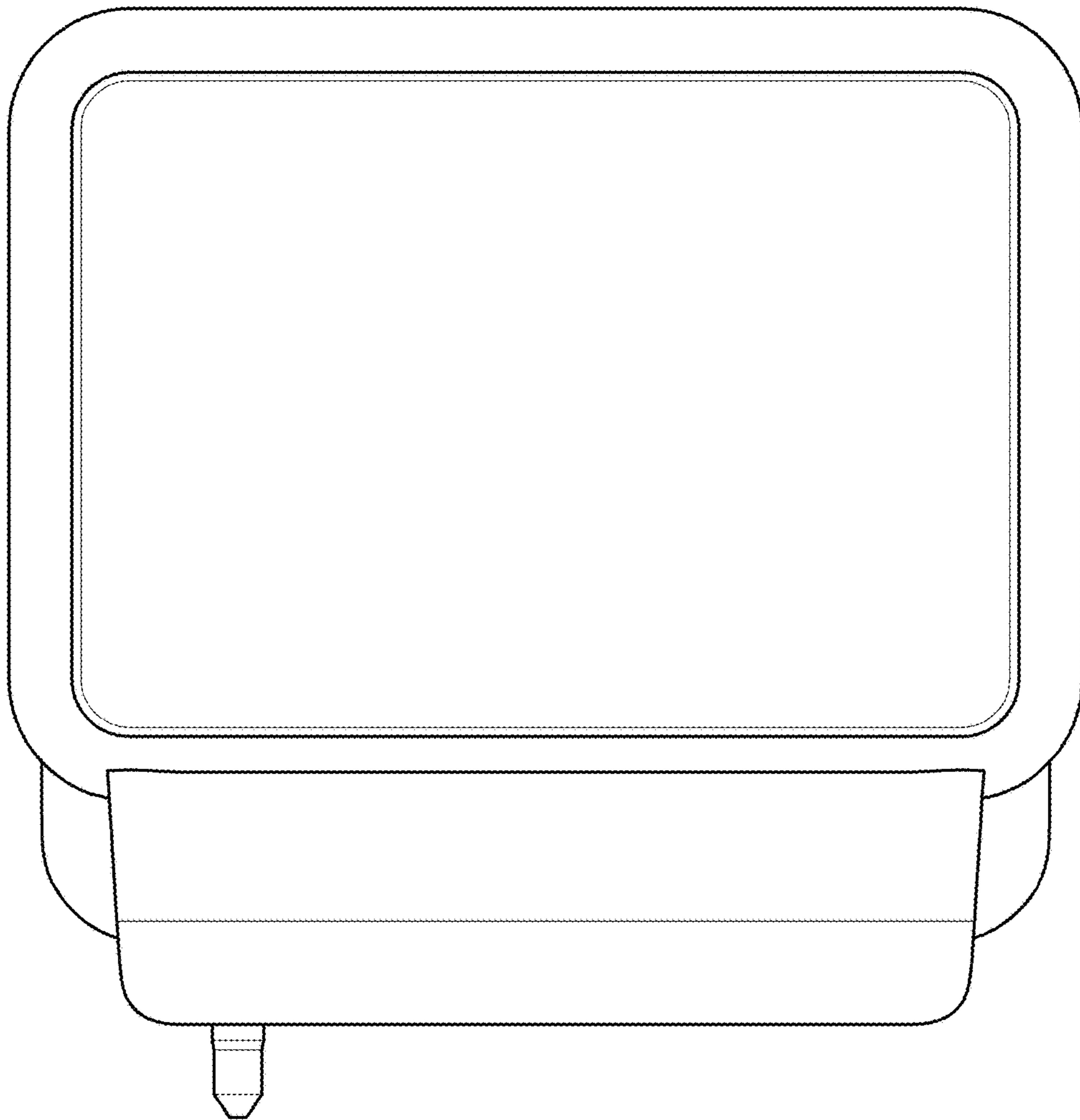


FIG. 10

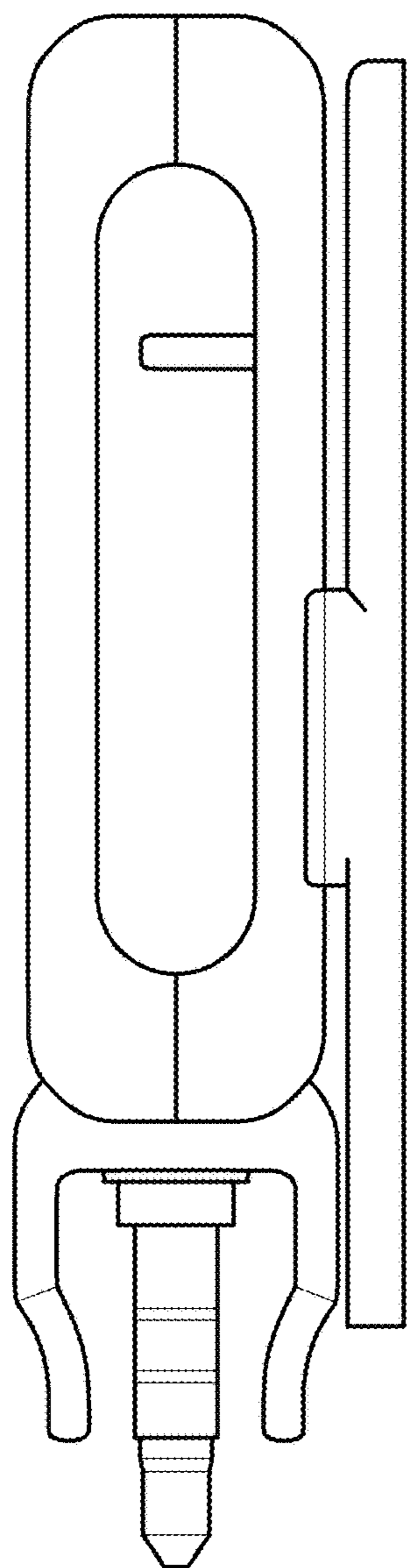


FIG. 11

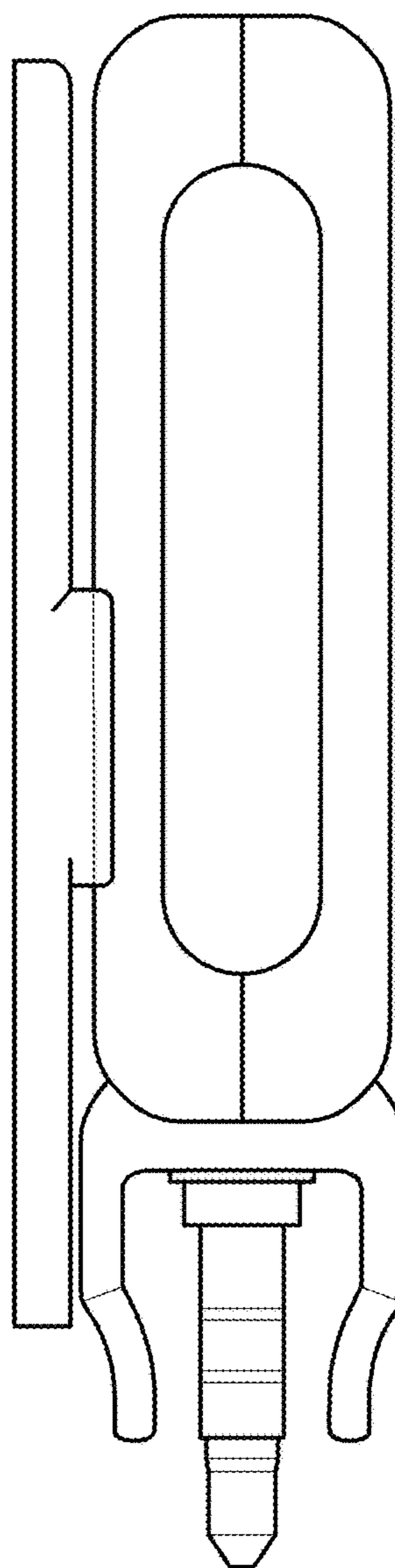


FIG. 12

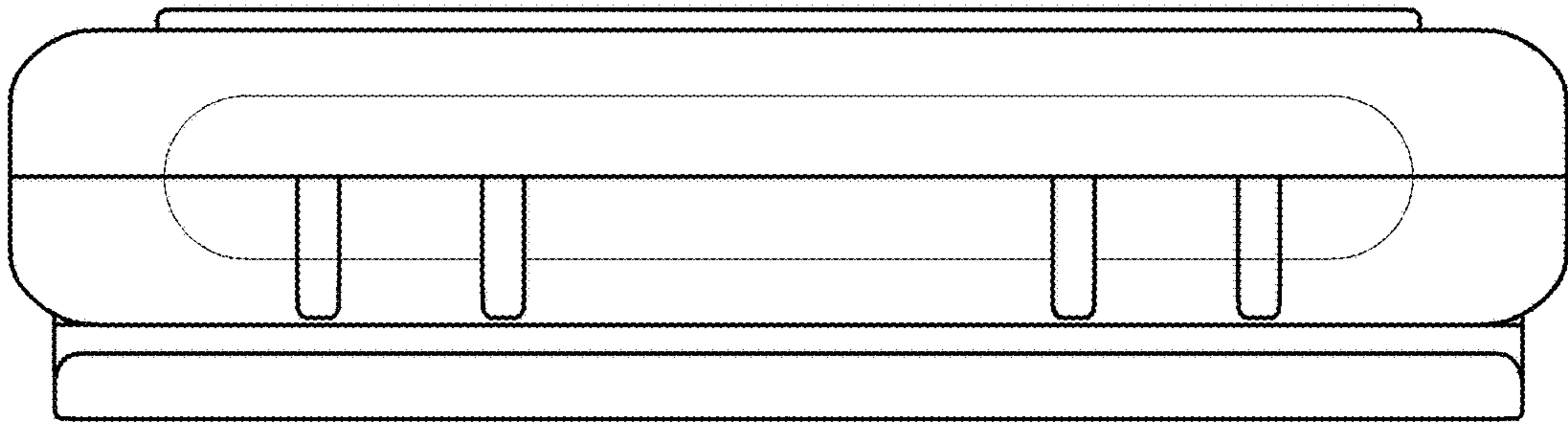


FIG. 13

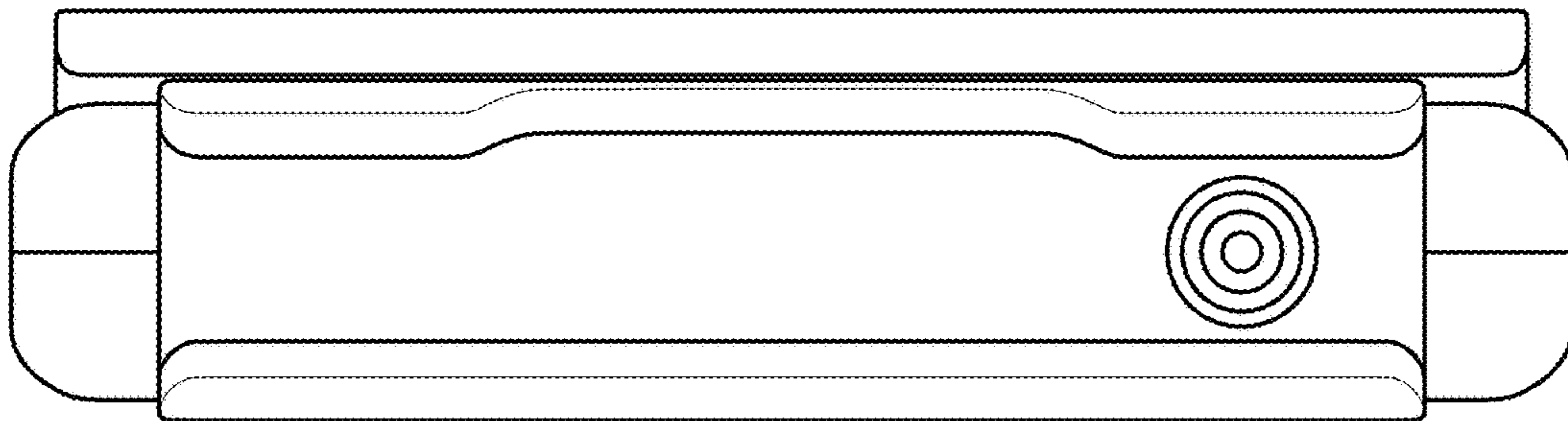


FIG. 14

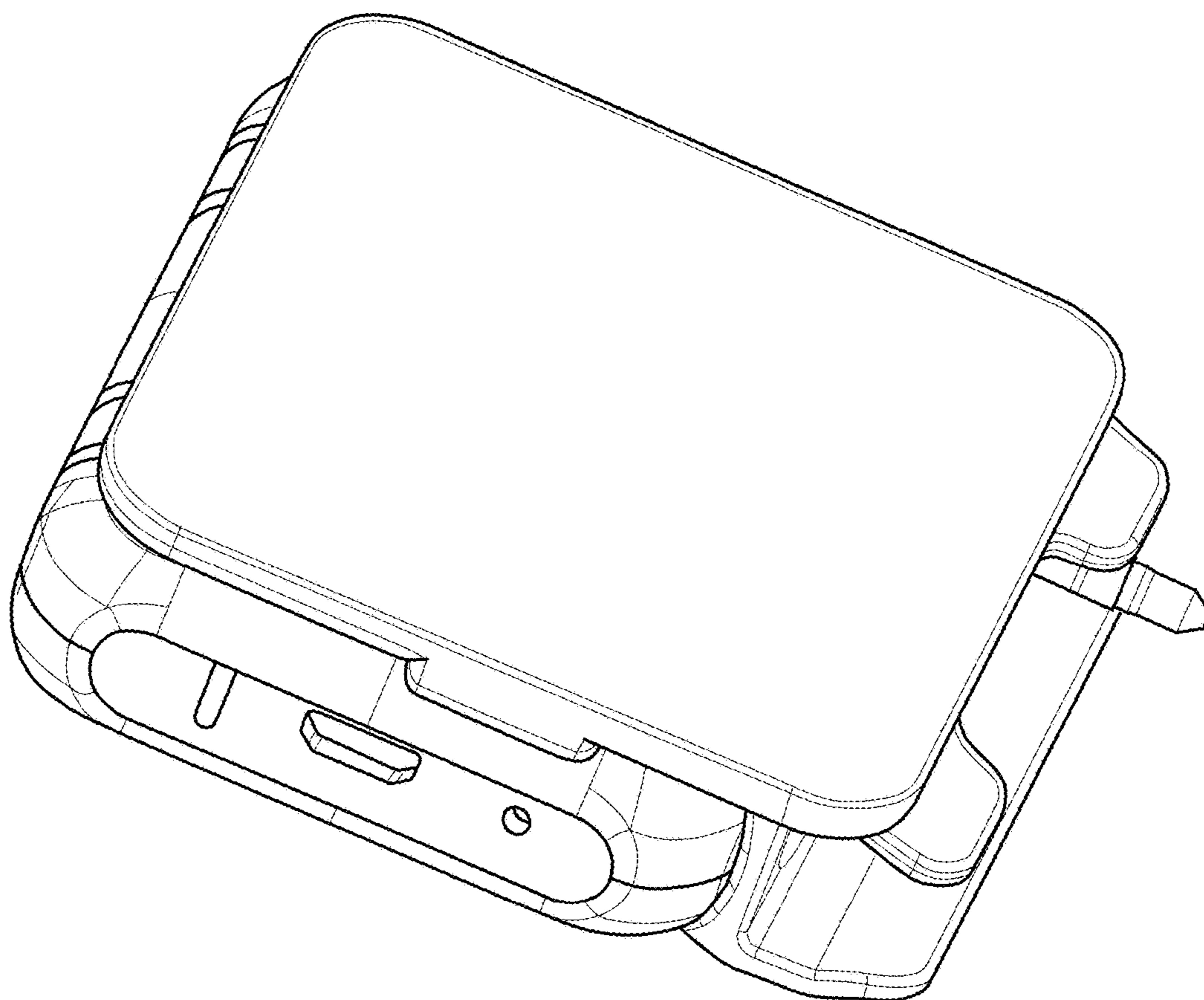


FIG. 15

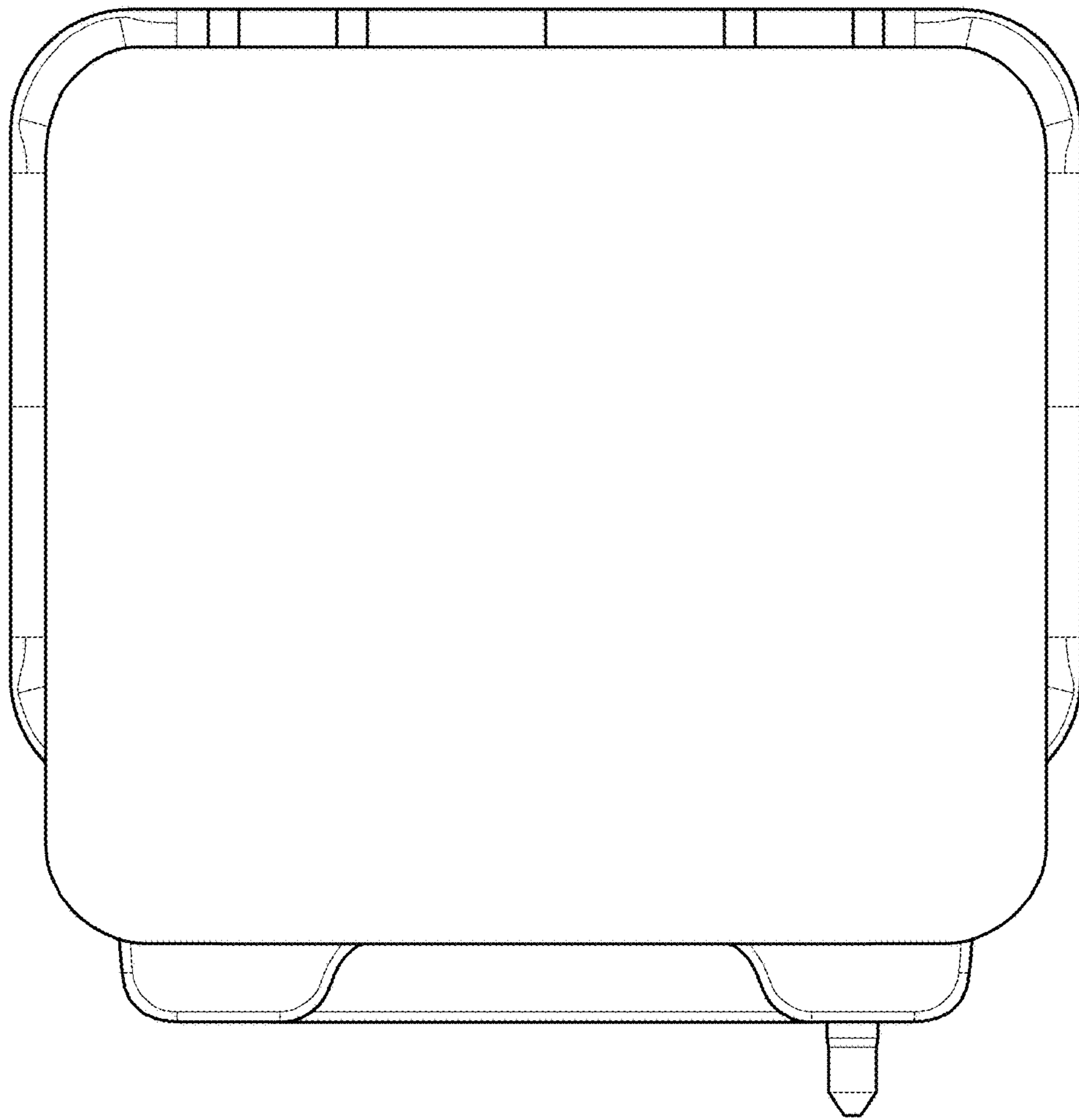


FIG. 16

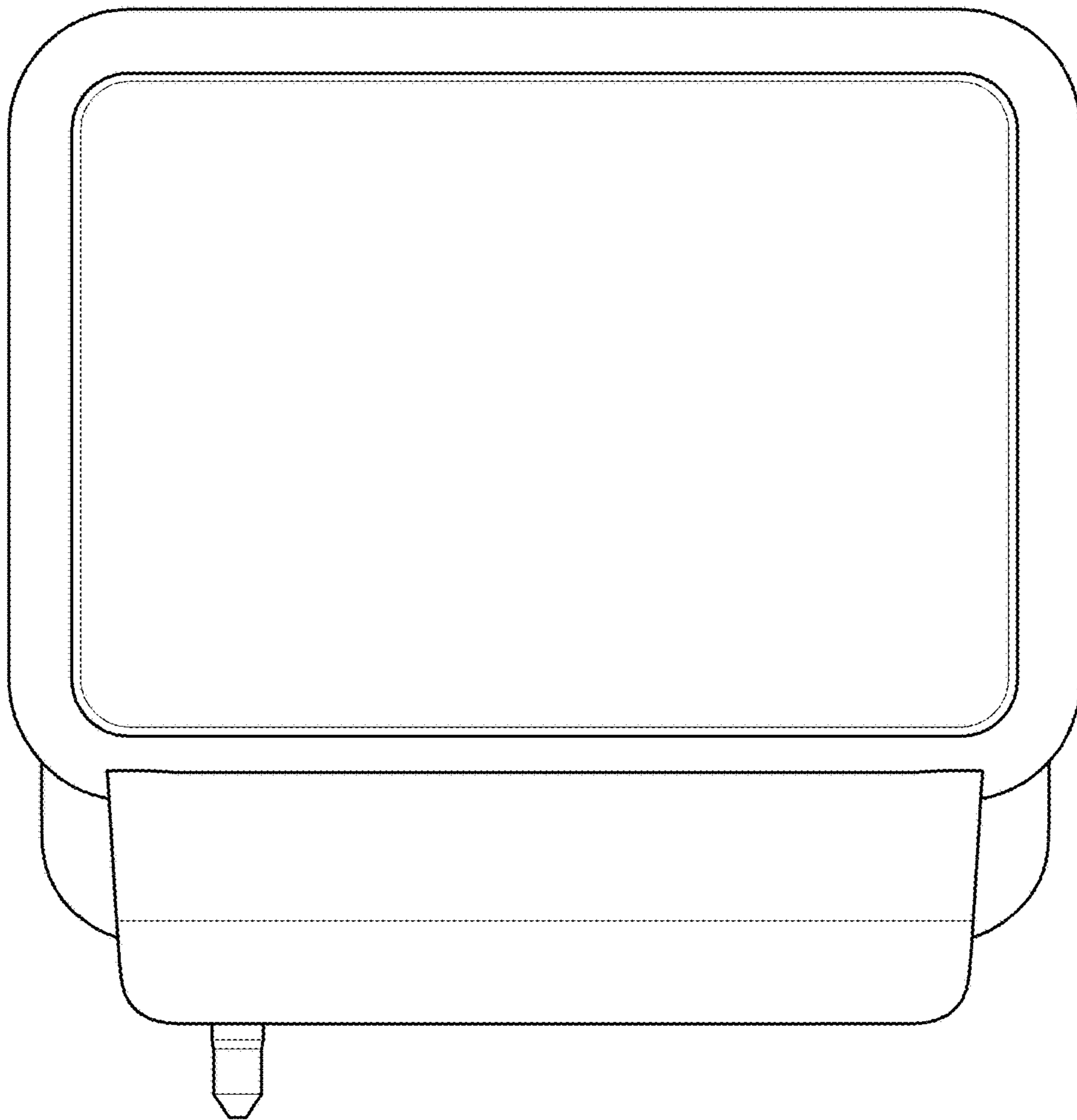


FIG. 17

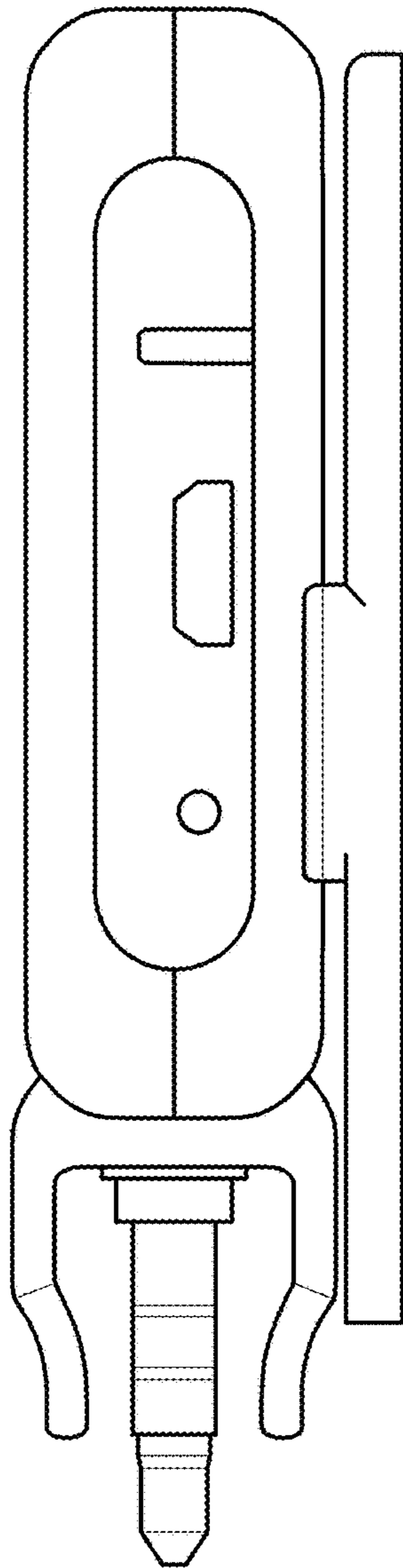


FIG. 18

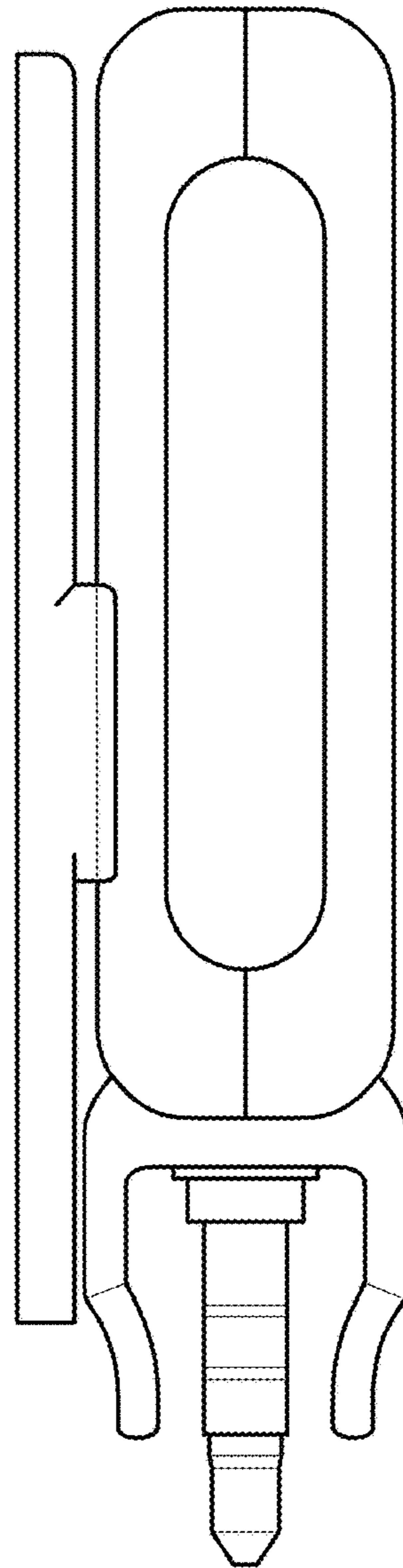


FIG. 19

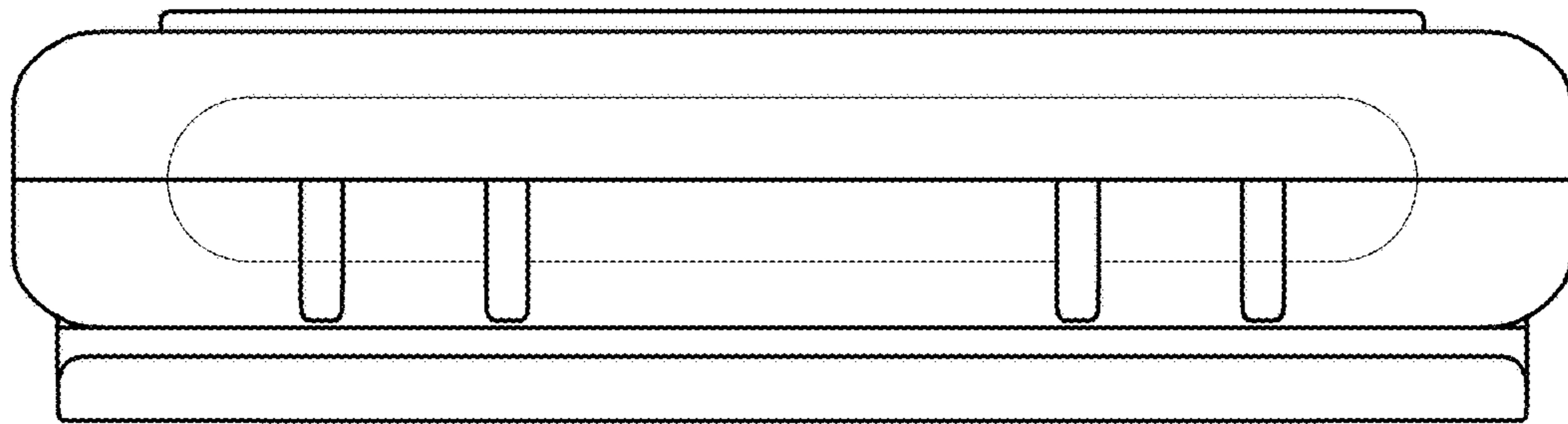


FIG. 20

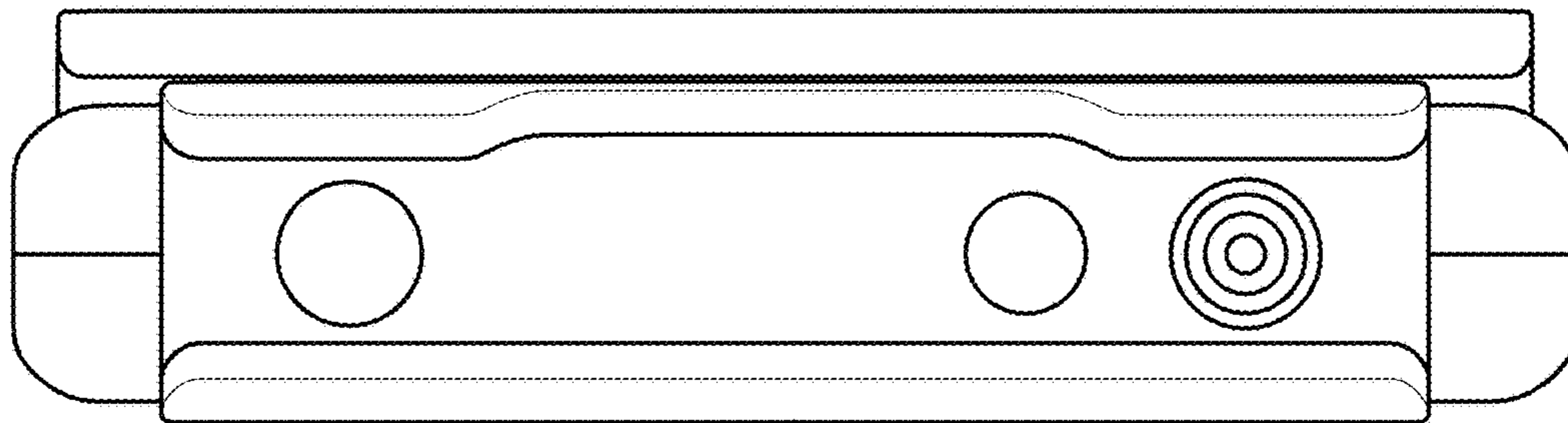


FIG. 21