



US00D774509S

(12) **United States Design Patent** (10) **Patent No.:** **US D774,509 S**
Covello et al. (45) **Date of Patent:** **** Dec. 20, 2016**

(54) **MULTI-MEDIA MONITOR**

(71) Applicants: **Pietro V. Covello**, Greenwich, CT (US); **Salvatore P. Covello**, Greenwich, CT (US)

(72) Inventors: **Pietro V. Covello**, Greenwich, CT (US); **Salvatore P. Covello**, Greenwich, CT (US)

(**) Term: **14 Years**

(21) Appl. No.: **29/524,345**

(22) Filed: **Apr. 20, 2015**

(51) **LOC (10) Cl.** **14-02**

(52) **U.S. Cl.**
USPC **D14/374**

(58) **Field of Classification Search**
USPC D14/371-375, 125-129, 336, 337, 341; 341/12; 345/104, 156, 168, 173; 348/180, 348/184, 325, 739; 349/1, 2, 11, 62; 361/679.05-679.07, 679.21; D6/300, 308
CPC G06F 1/16; G06F 1/1601; G06F 3/037; G06F 1/162; F16M 11/02; F16M 11/10; F16M 11/00

See application file for complete search history.

(56) **References Cited**

U.S. PATENT DOCUMENTS

D479,237 S *	9/2003	Juan	D14/375
D497,165 S *	10/2004	Borsboom	D14/371
D499,728 S *	12/2004	Lin	D14/371
D528,523 S *	9/2006	Chiu	D14/126

(Continued)

Primary Examiner — Freda S Nunn

(74) *Attorney, Agent, or Firm* — St. Onge Steward Johnston & Reens LLC

(57) **CLAIM**

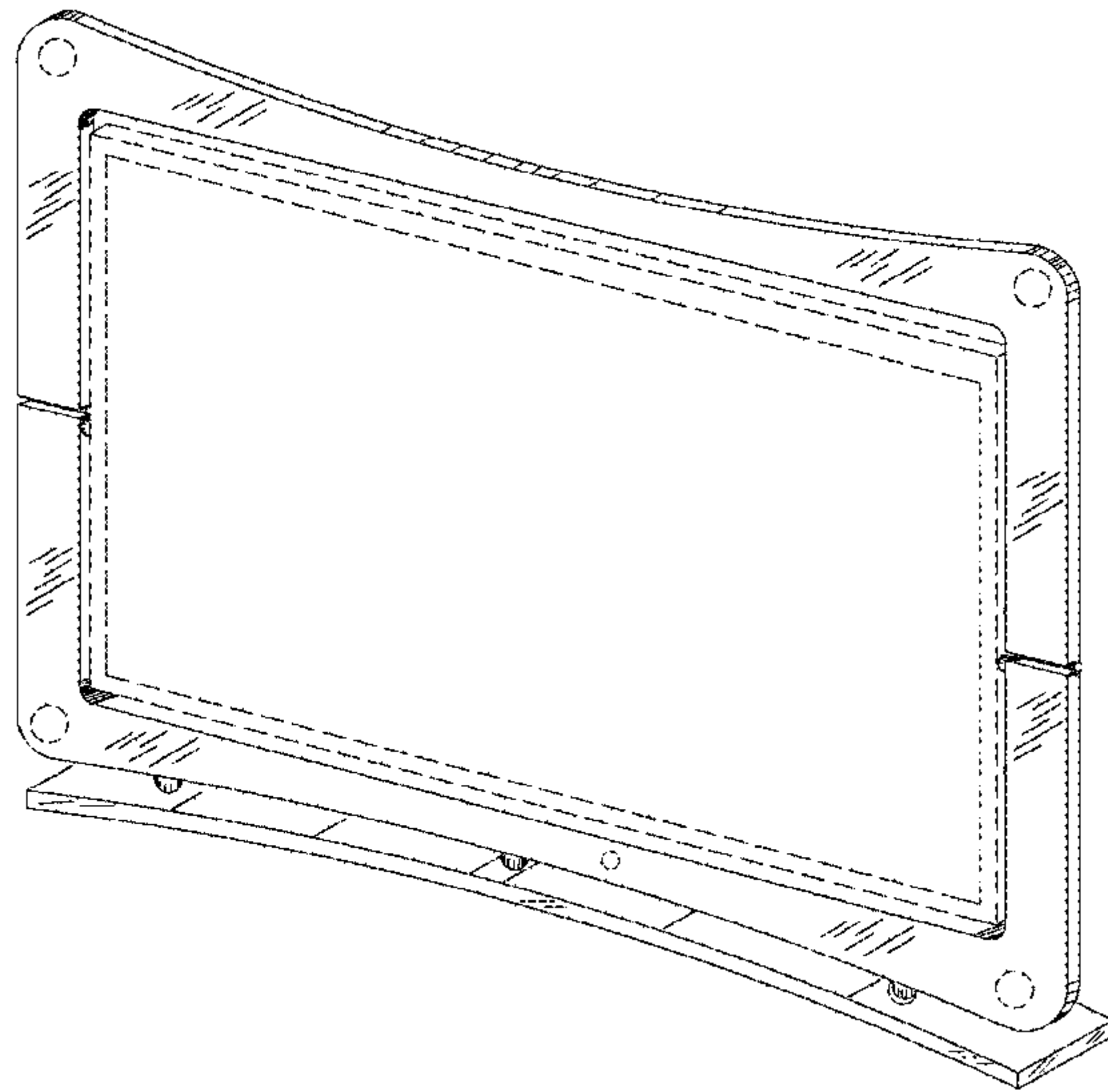
The ornamental design for a multi-media monitor, as shown and described.

DESCRIPTION

FIG. 1 is a front right side perspective view of a multi-media monitor in accordance with the new design showing the multi-media monitor in an open position; FIG. 2 is a rear right side perspective view thereof showing the multi-media monitor in an open position; FIG. 3 is a front elevational view thereof showing the multi-media monitor in an open position; FIG. 4 is a rear elevational view thereof showing the multi-media monitor in an open position; FIG. 5 is a right side elevational view thereof, the left side elevation view being a mirror image thereof showing the multi-media monitor in an open position; FIG. 6 is a top plan view thereof showing the multi-media monitor in an open position; FIG. 7 is a bottom plan view thereof showing the multi-media monitor in an open position; FIG. 8 is a front perspective view thereof showing the multi-media monitor in a closed position; FIG. 9 is a rear perspective view thereof showing the multi-media monitor in a closed position; FIG. 10 is a front elevational view thereof showing the multi-media monitor in a closed position; FIG. 11 is a rear elevational view thereof showing the multi-media monitor in a closed position; FIG. 12 is a right side elevational view thereof showing the multi-media monitor in a closed position, the left side elevational view being a mirror image thereof; FIG. 13 is a top plan view thereof showing the multi-media monitor in a closed position; and, FIG. 14 is a bottom plan view thereof showing the multi-media monitor in a closed position.

The broken lines shown in FIGS. 1-4 and 8-12 are for the purpose of illustrating portions of the multi-media monitor that form no part of the claimed design.

1 Claim, 14 Drawing Sheets



(56)

References Cited

U.S. PATENT DOCUMENTS

D561,713 S *	2/2008	Chu	D14/126
D601,557 S *	10/2009	Wesolek	D14/341
D660,015 S *	5/2012	Chiu	D14/371
D687,822 S *	8/2013	Growney	D14/341
2004/0140966 A1 *	7/2004	Marggraff	G06F 3/04886 345/179

* cited by examiner

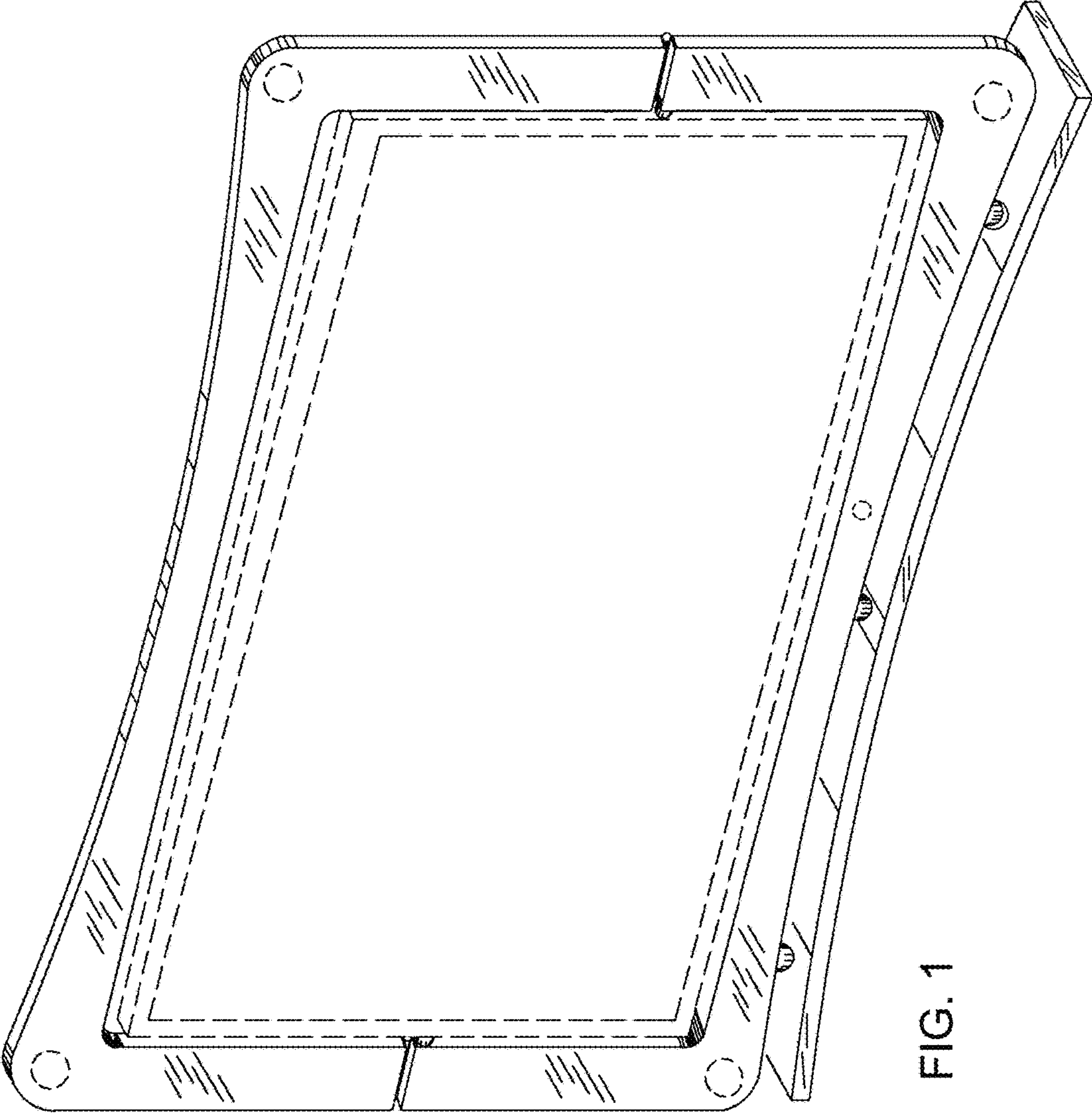


FIG. 1

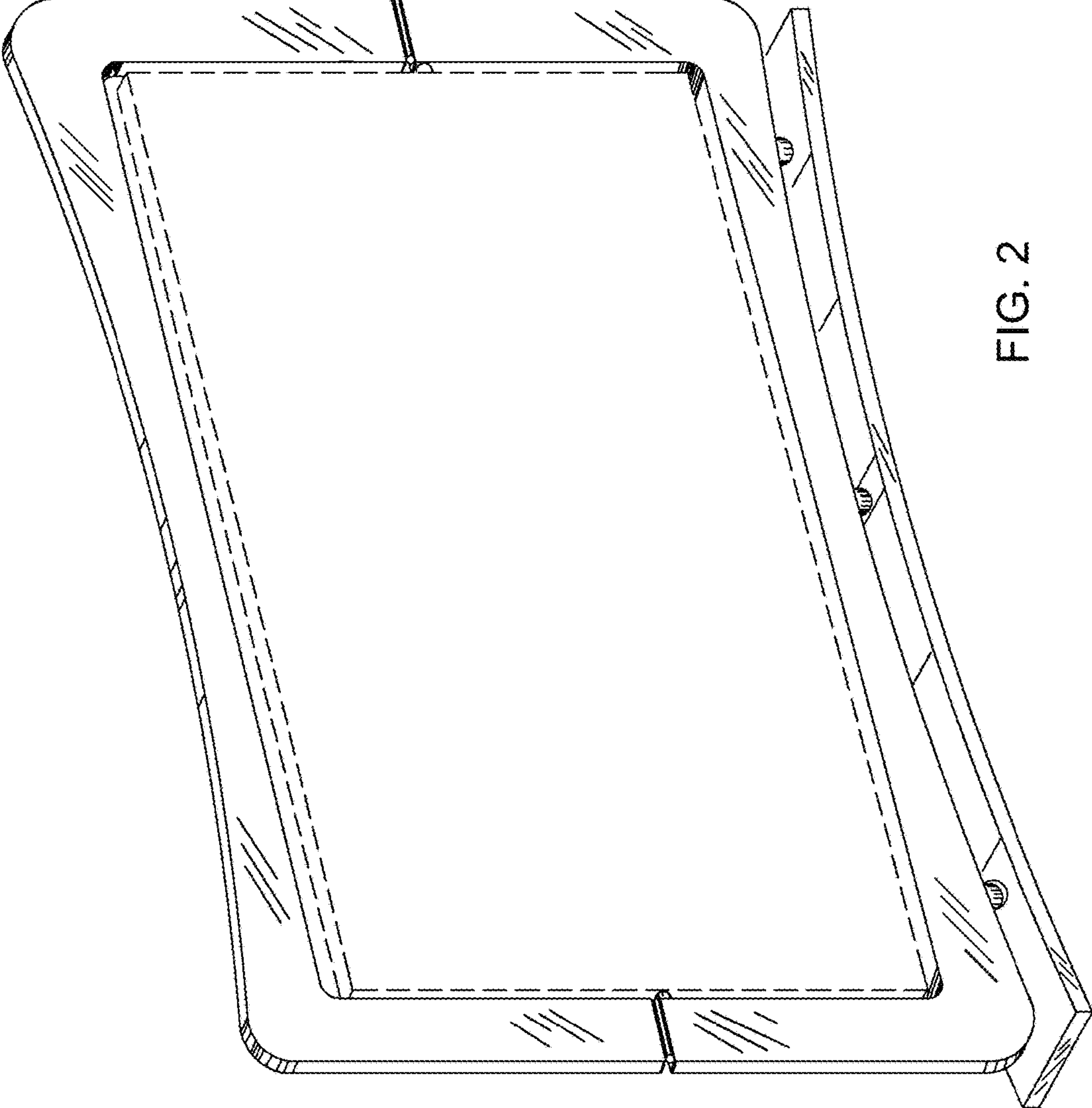


FIG. 2

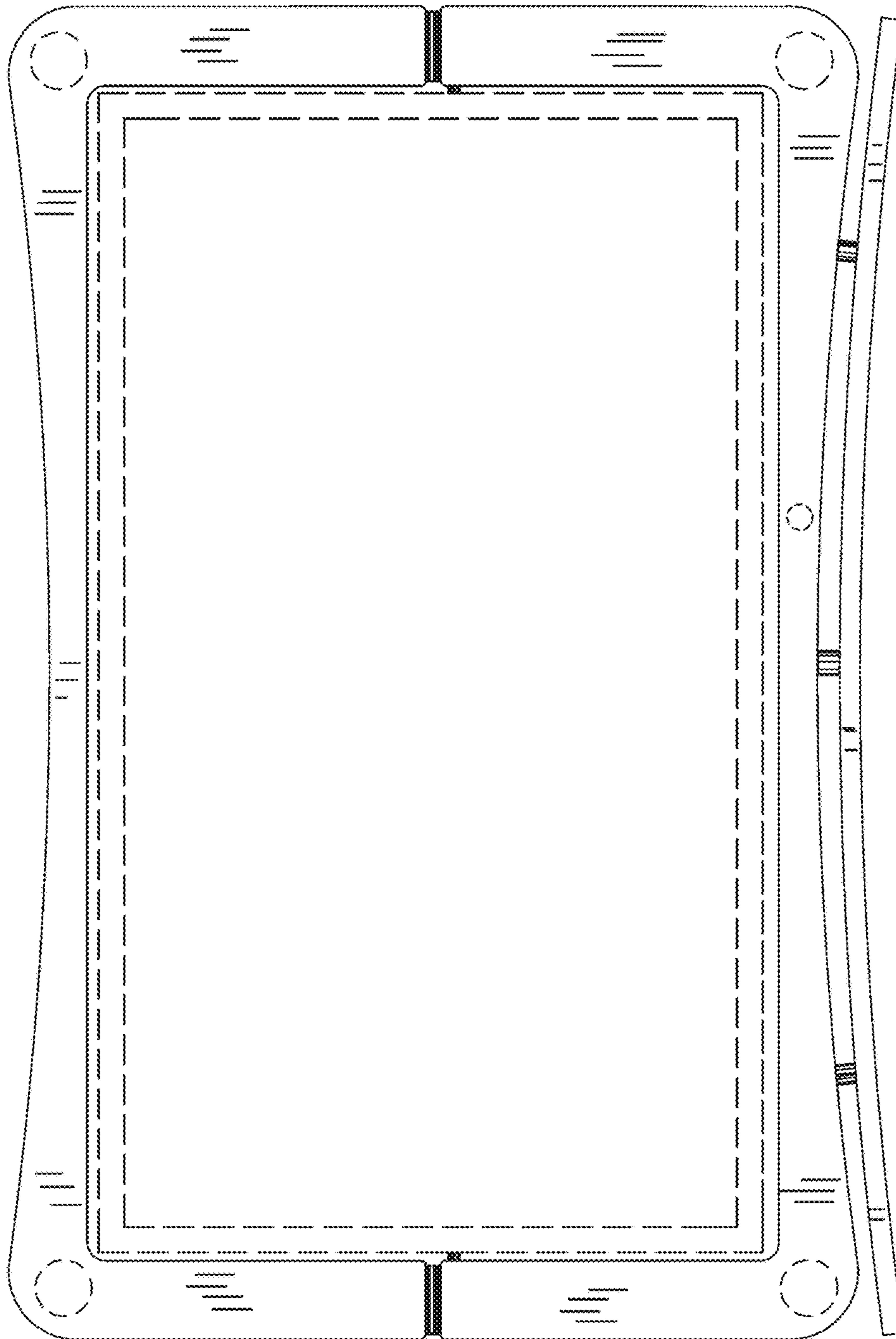


FIG. 3

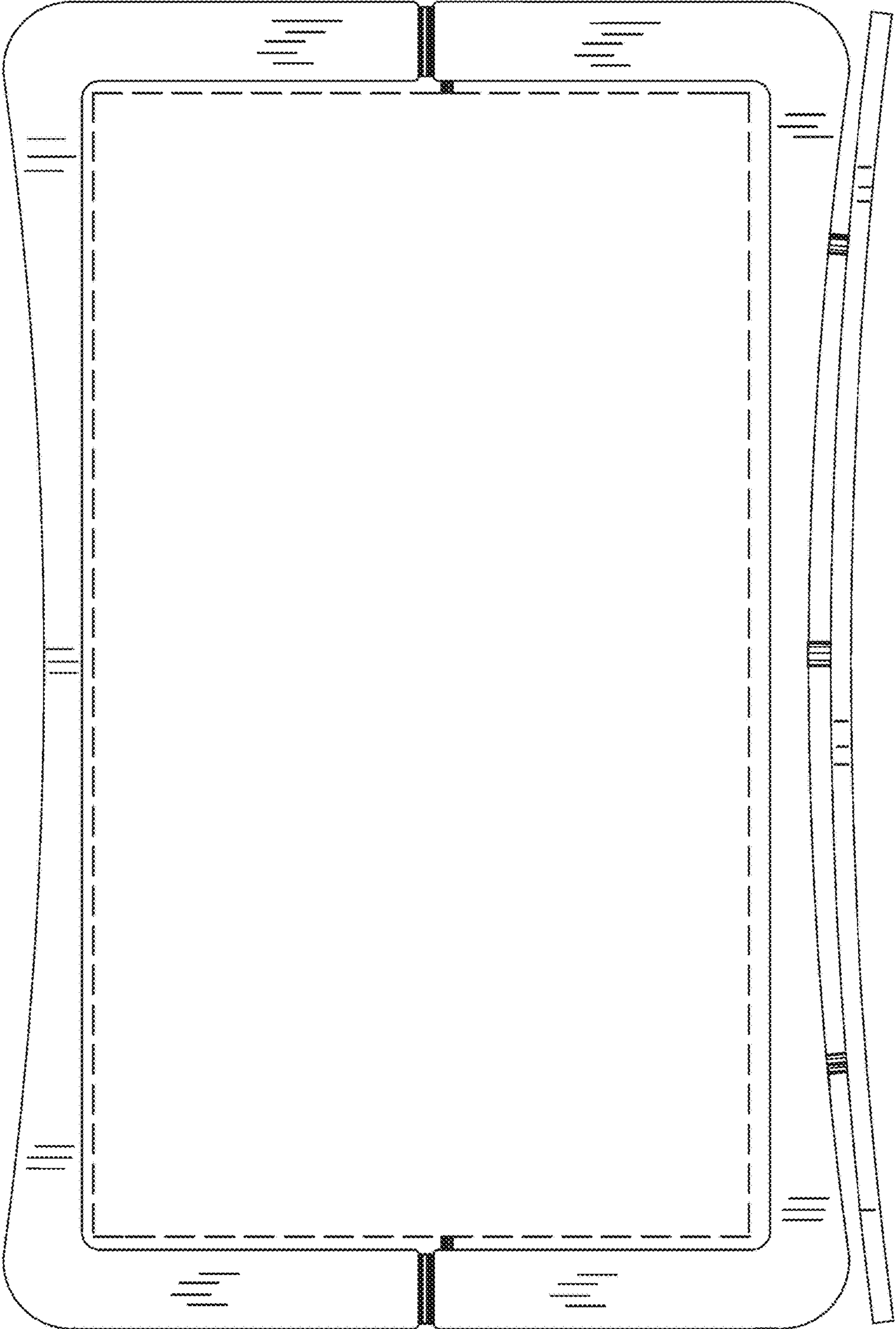


FIG. 4

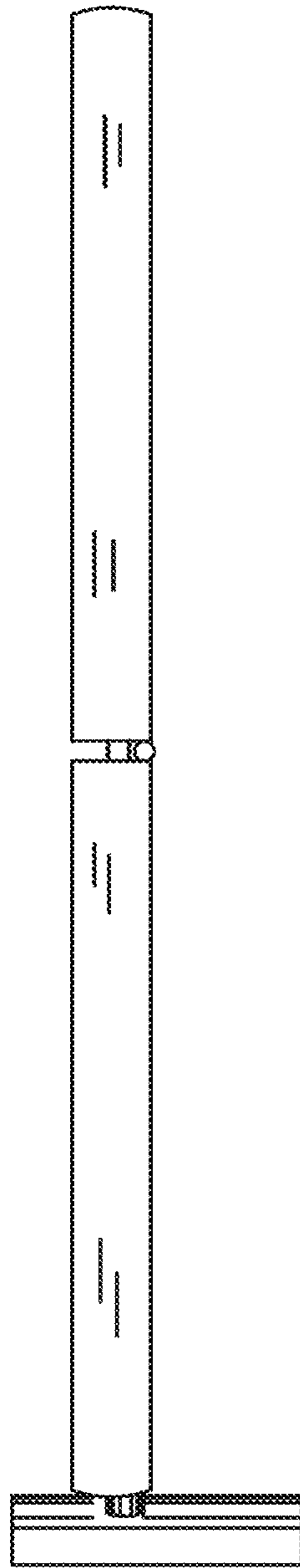


FIG. 5

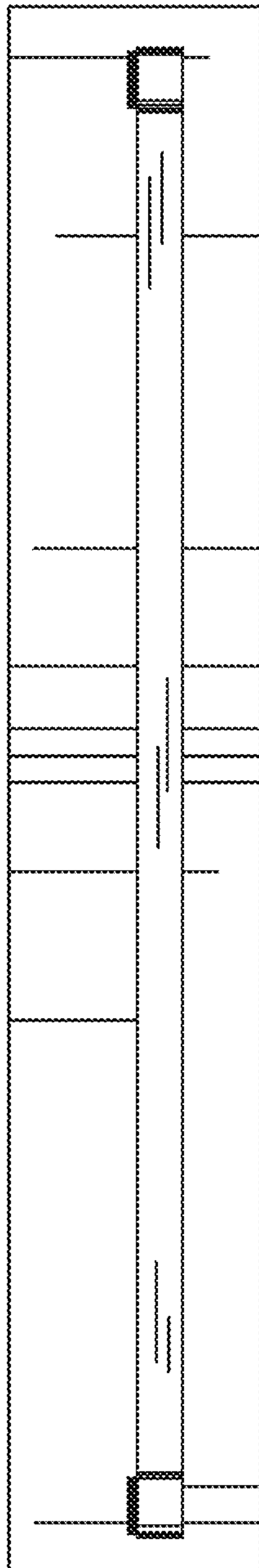


FIG. 6

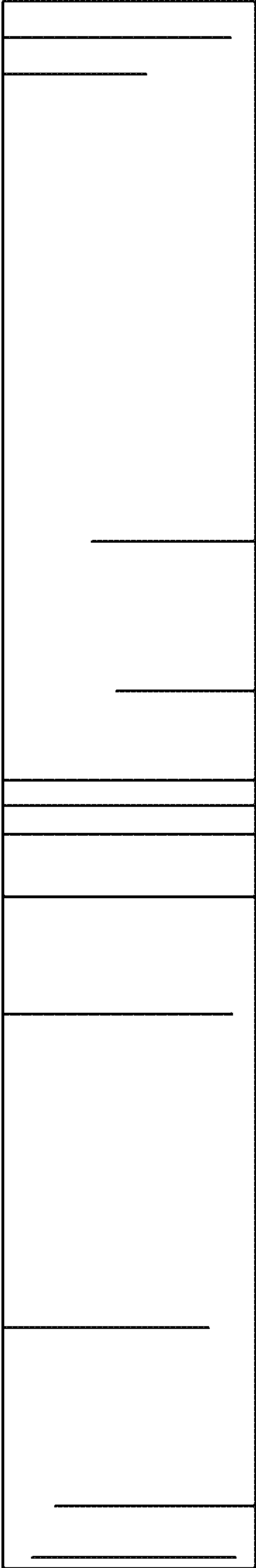


FIG. 7

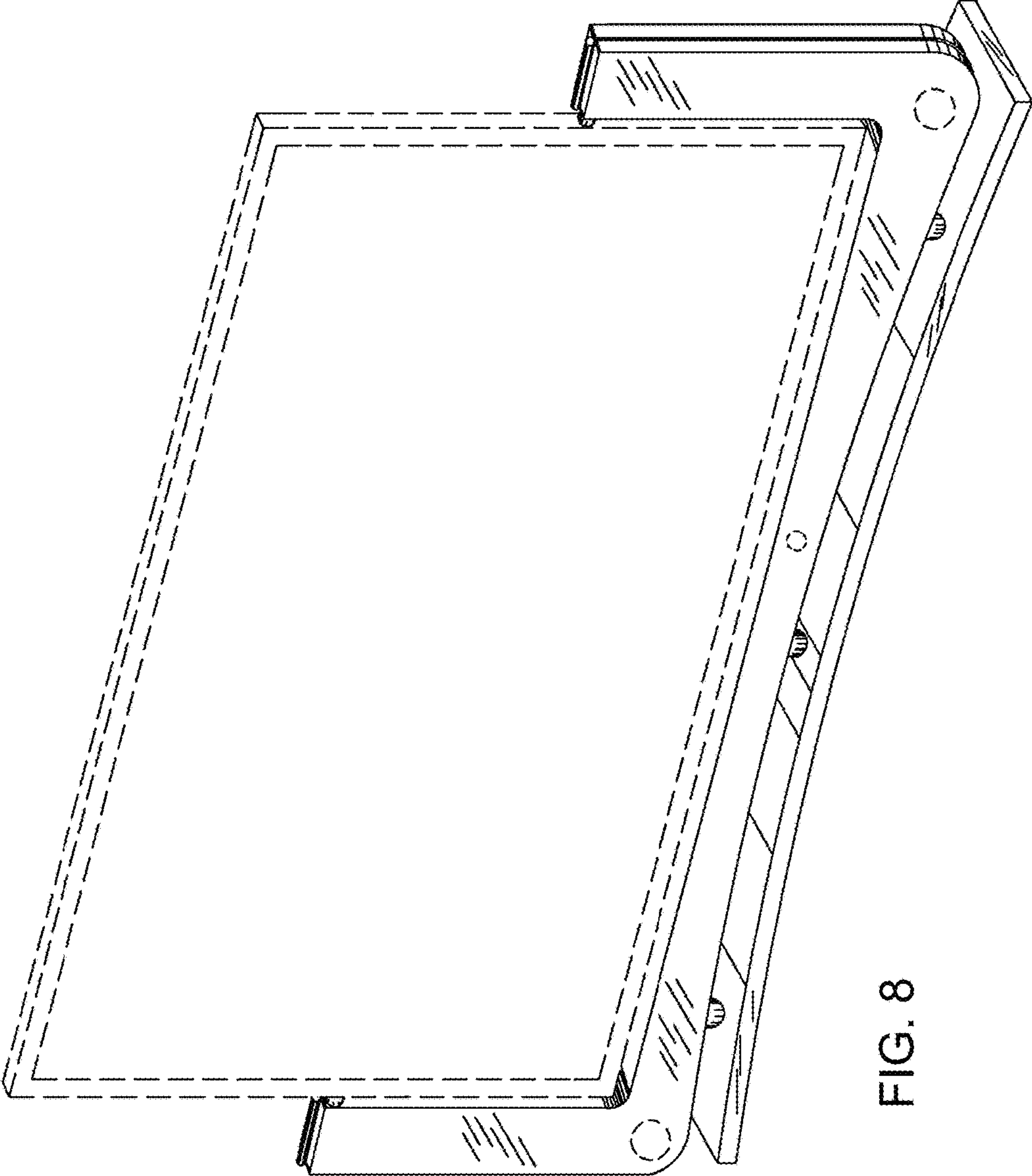


FIG. 8

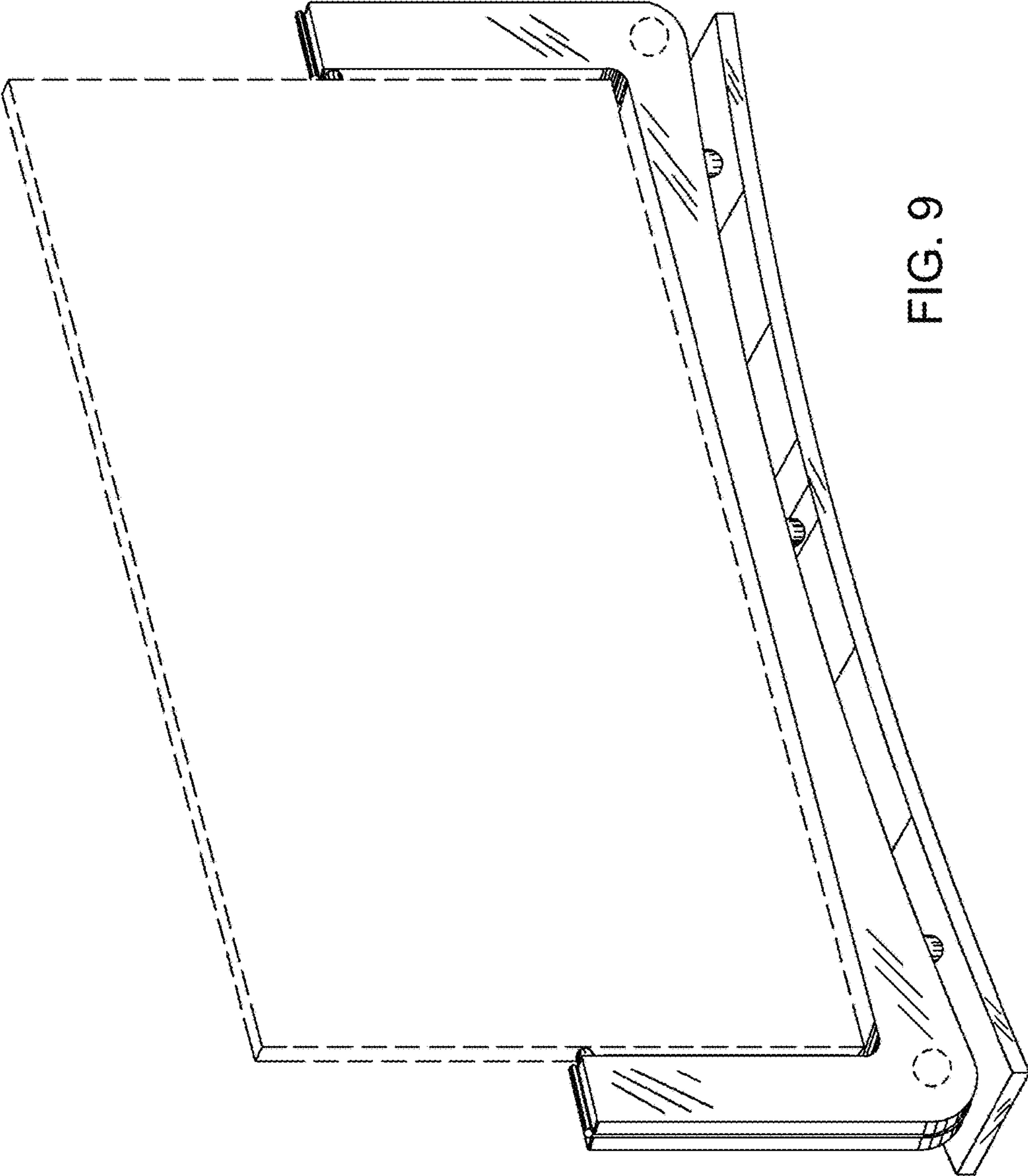


FIG. 9

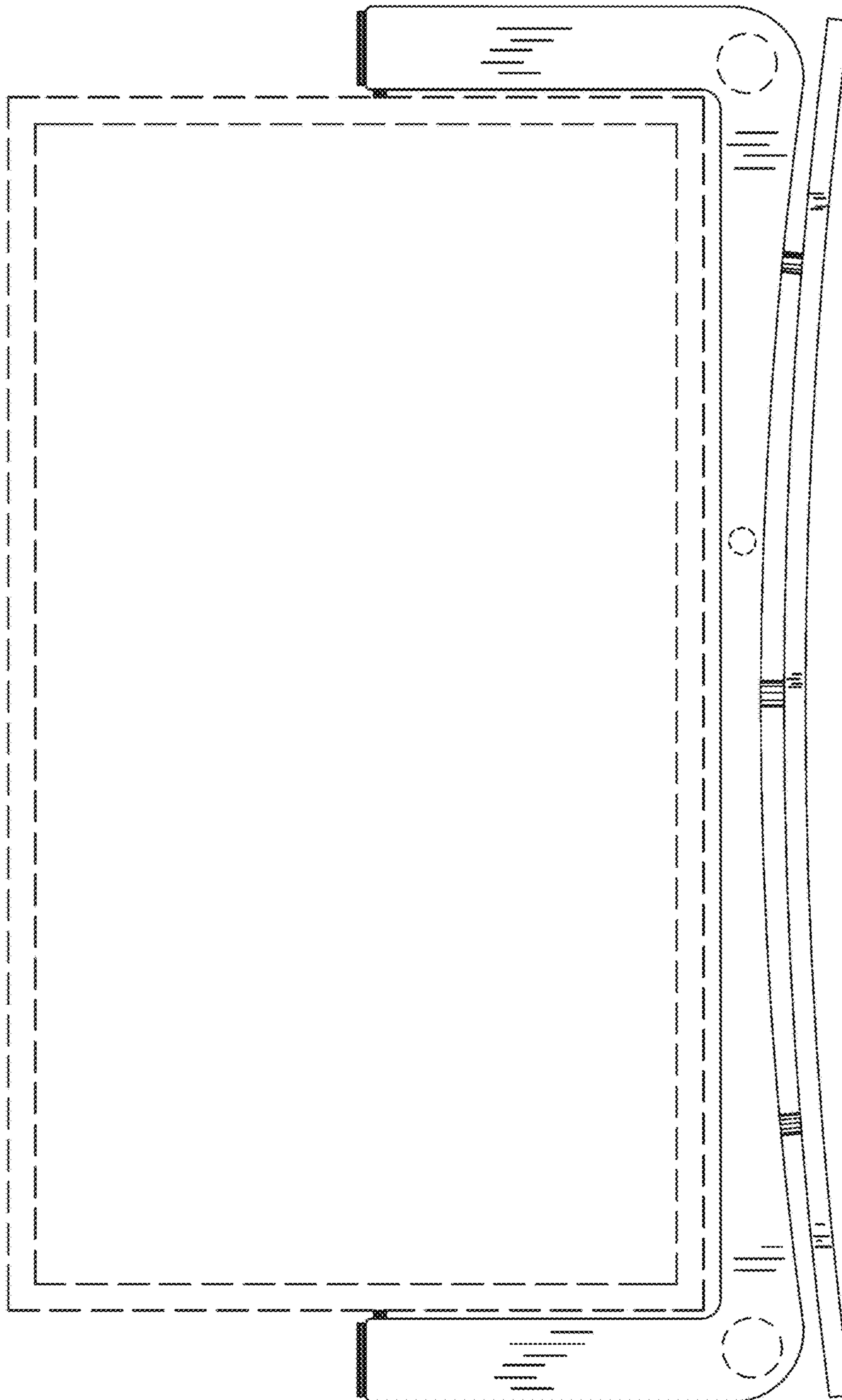


FIG. 10

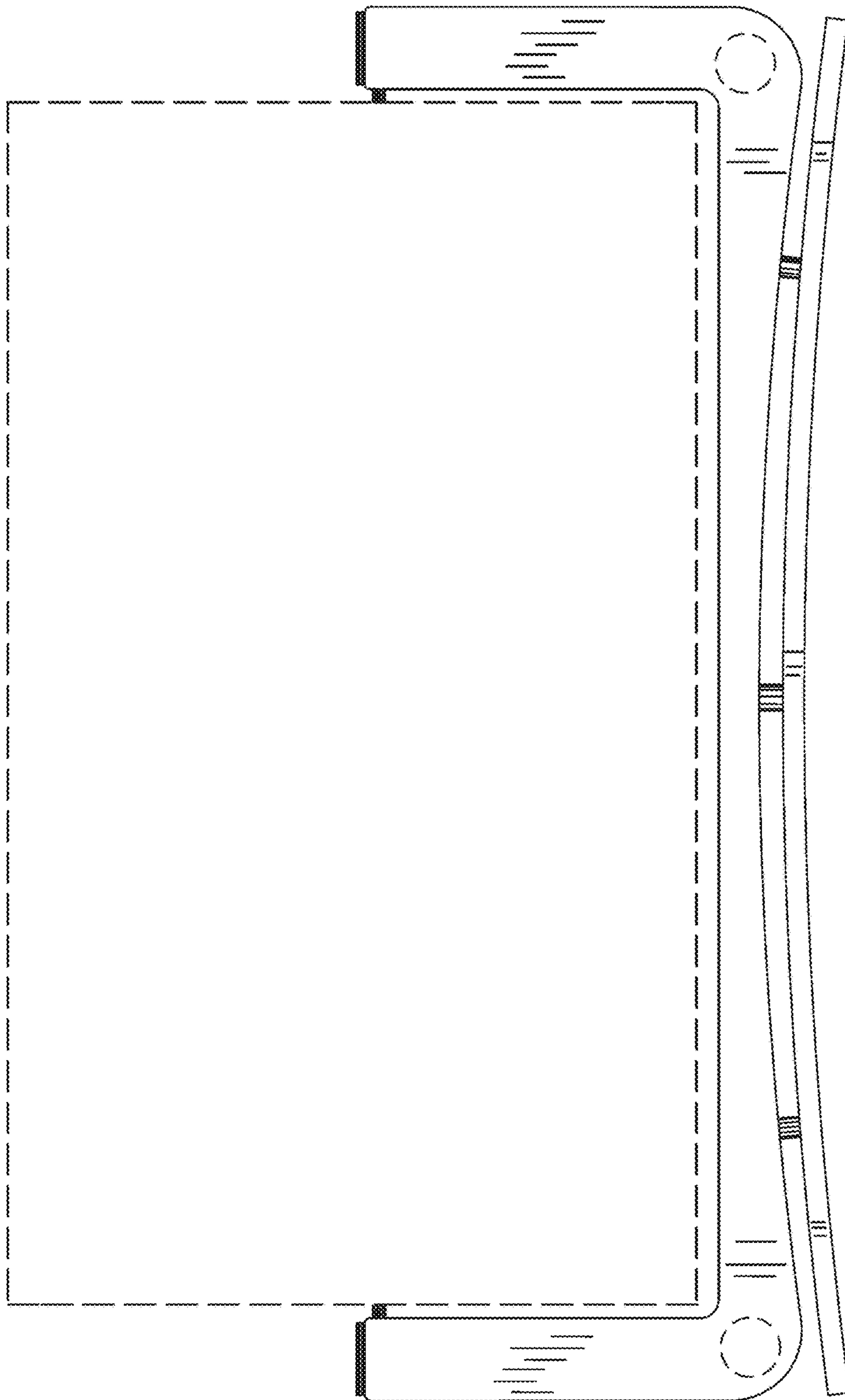


FIG. 11

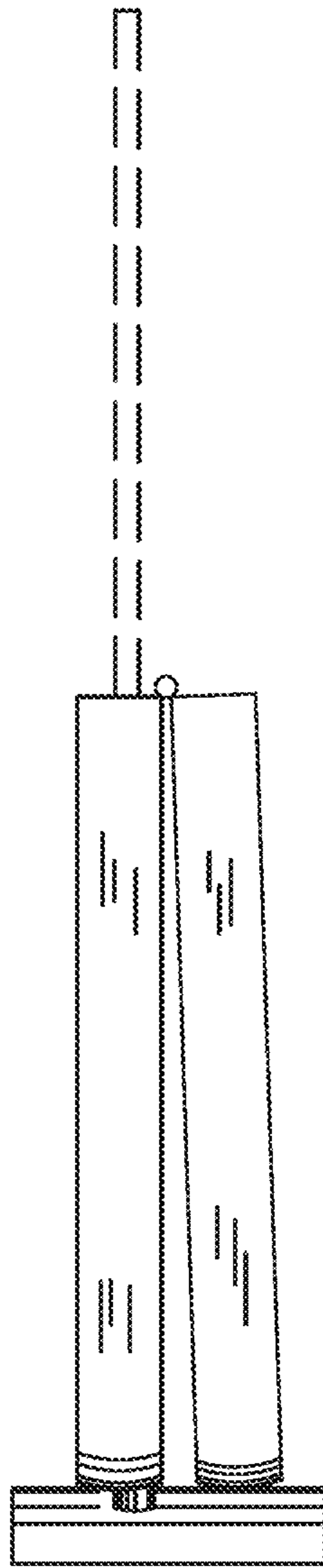


FIG. 12

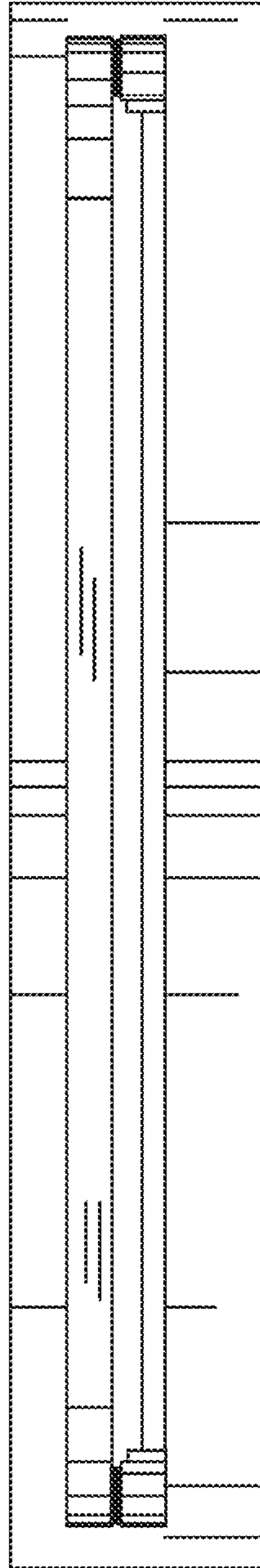


FIG. 13

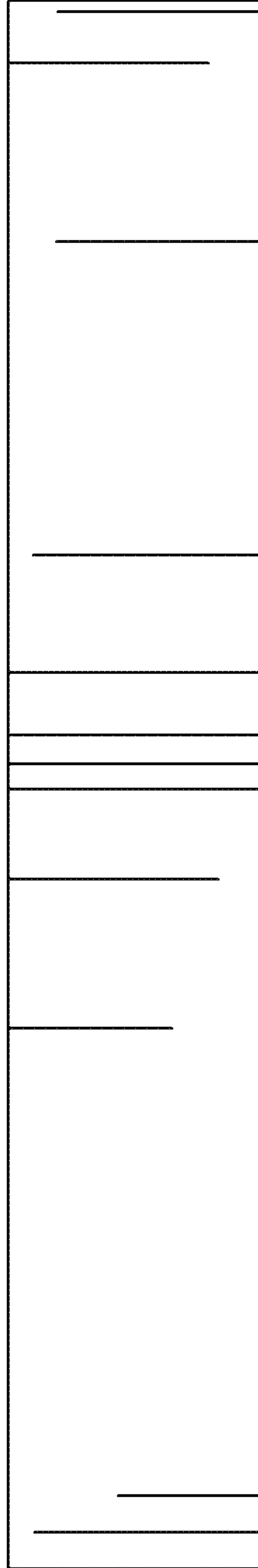


FIG. 14