



US00D774507S

(12) **United States Design Patent** (10) **Patent No.:** **US D774,507 S**
Borgini et al. (45) **Date of Patent:** **** Dec. 20, 2016**

(54) **PORTABLE COMPUTER WITH BARCODE READER**

- (71) Applicant: **Datalogic IP Tech S.r.l.**, Lippo di Calderara di Reno (IT)
- (72) Inventors: **Leonardo Borgini**, Bologna (IT); **Alessandro Chiarini**, Castelmaggiore (IT); **Giovanni Minafò**, Cento (IT); **Stanley Cheng**, Taipei (TW)
- (73) Assignee: **DATALOGIC IP TECH S.R.L.**, Lippo di Calderara di Reno, (Bologna) (IT)
- (**) Term: **15 Years**
- (21) Appl. No.: **29/547,711**
- (22) Filed: **Dec. 7, 2015**

Related U.S. Application Data

- (62) Division of application No. 29/485,696, filed on Mar. 21, 2014, now Pat. No. Des. 747,715.
- (51) **LOC (10) Cl.** **14-02**
- (52) **U.S. Cl.**
USPC **D14/347**; D14/341; D14/346
- (58) **Field of Classification Search**
USPC D14/315–318, 341–344, 129, 130, 496, D14/137, 138 R, 138 AA, 138 C, 138 G, D14/138 AB, 147, 203.1, 203.3, 203.4, D14/203.7, 247, 389, 420, 426–431, 125, D14/126, 218, 455, 346; D18/6, 7; D21/324, 329, 330, 332, D21/478–480, D21/484, 491, 492, 500–502, 331, 333; 455/556.2, 566, 92, 95, 128, 455/151.1–151.4, 352, 355; 379/916, 433.04, 379/433.1; 345/901, 905, 173, 345/169; 361/679.26, 361/679.3, 679.55, 361/679.56; D10/65; D13/168; 348/14.05, 348/114, 211.99, 734; 341/22

(Continued)

(56) **References Cited**

U.S. PATENT DOCUMENTS

- D283,711 S 5/1986 Deura et al.
- D386,152 S 11/1997 Warneke

(Continued)

OTHER PUBLICATIONS

Datalogic Memor X3, available May 23, 2014, [online], [site visited May 20, 2015]. Available from internet, <URL: <http://profesionalretail.com/rendimiento-y-durabilidad-los-puntos-fuertes-del-terminal-portatil-memorx3-de-datalogic/>.

(Continued)

Primary Examiner — Cathron Brooks

Assistant Examiner — Teddy Falloway

(74) *Attorney, Agent, or Firm* — Duane Morris LLP

(57) **CLAIM**

We claim the ornamental design for a portable computer with barcode reader, as shown and described.

DESCRIPTION

FIG. 1 is a perspective front view of a portable computer with barcode reader according to the present invention.

FIG. 2 is a perspective rear view of a portable computer with barcode reader of FIG. 1.

FIG. 3 is a front elevation view of the portable computer with barcode reader of FIG. 1.

FIG. 4 is a rear elevation view of the portable computer with barcode reader of FIG. 1.

FIG. 5 is a left side elevation view of the portable computer with barcode reader of FIG. 1.

FIG. 6 is a right side elevation view of the portable computer with barcode reader of FIG. 1.

FIG. 7 is a bottom view of the portable computer with barcode reader of FIG. 1.

FIG. 8 is a top view of the portable computer with barcode reader of FIG. 1.

(Continued)

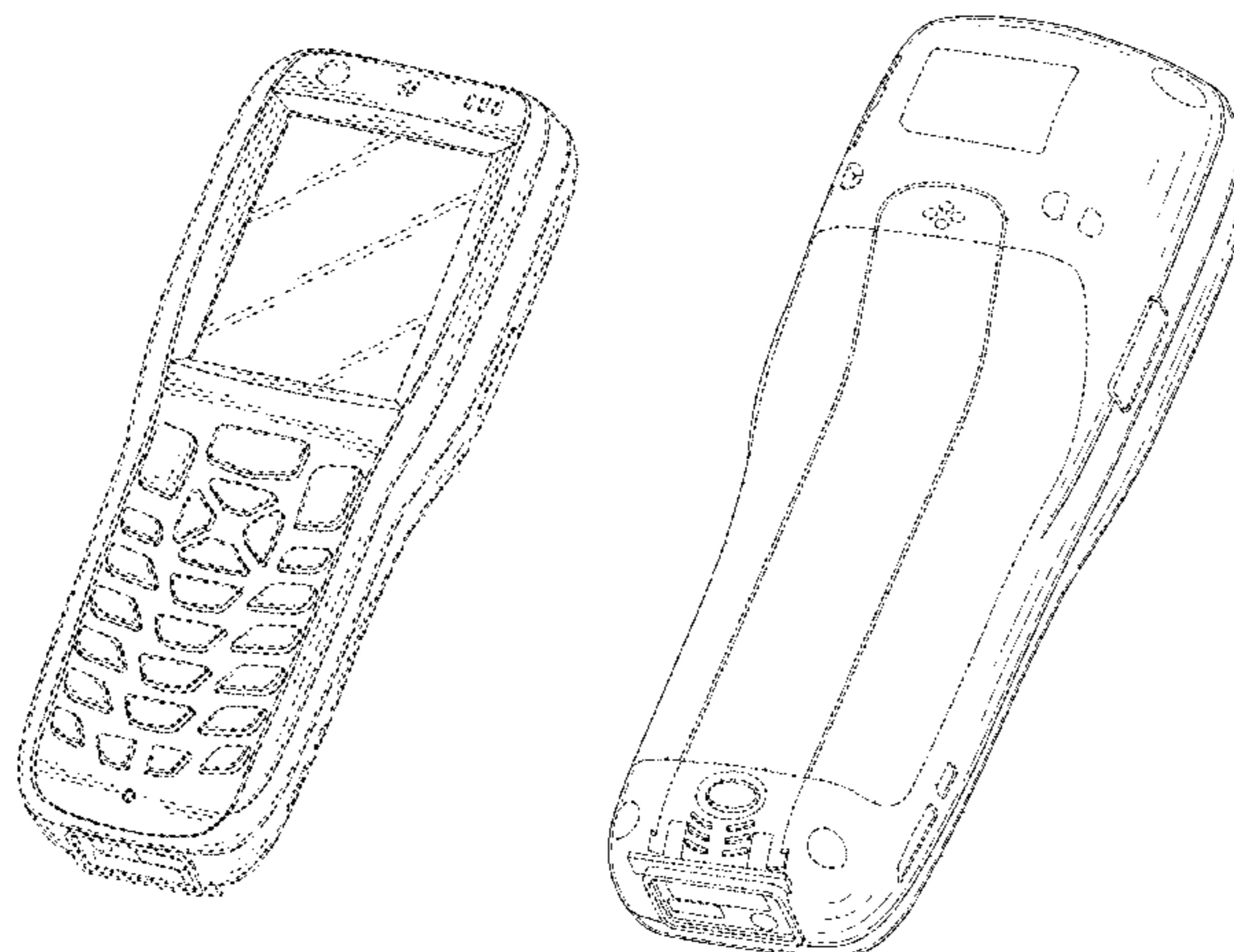


FIG. 9 is a perspective front view of a second embodiment of a portable computer with barcode reader according to the present invention.

FIG. 10 is a perspective rear view of a portable computer with barcode reader of FIG. 9.

FIG. 11 is a front elevation view of the portable computer with barcode reader of FIG. 9.

FIG. 12 is a rear elevation view of the portable computer with barcode reader of FIG. 9.

FIG. 13 is a left side elevation view of the portable computer with barcode reader of FIG. 9.

FIG. 14 is a right side elevation view of the portable computer with barcode reader of FIG. 9.

FIG. 15 is a bottom view of the portable computer with barcode reader of FIG. 9; and,

FIG. 16 is a top view of the portable computer with barcode reader of FIG. 9.

The broken lines shown are included for the purpose of illustrating portions of the portable computer with barcode reader that form no part of the claimed design.

1 Claim, 16 Drawing Sheets

(58) Field of Classification Search

CPC .. G06F 1/1626; G06F 3/0219; G06K 7/10881; G06K 7/10386; G06K 9/228

See application file for complete search history.

(56) References Cited

U.S. PATENT DOCUMENTS

D414,470 S	9/1999	Chacon et al.	
D417,445 S	12/1999	Chacon et al.	
D429,226 S	8/2000	Siddoway et al.	
6,109,528 A	8/2000	Kunert et al.	
D462,357 S	9/2002	Jenkins	
D496,366 S	9/2004	Croley et al.	
D505,422 S	5/2005	Kakizaki et al.	
D556,750 S	12/2007	Fitch et al.	
D557,696 S	12/2007	Conti et al.	
D558,775 S	1/2008	Morris et al.	
D560,223 S *	1/2008	Morris	D14/453
D574,830 S	8/2008	Tasselli et al.	
D575,287 S	8/2008	Miyashita	
D579,018 S	10/2008	Su et al.	
D599,798 S	9/2009	Fitch et al.	
7,583,178 B2	9/2009	Hougen et al.	
D611,943 S	3/2010	Boyd	
D613,290 S	4/2010	Arnold et al.	
D614,626 S	4/2010	Dai et al.	
D614,627 S	4/2010	Lerner et al.	
D615,085 S	5/2010	Ma et al.	
D618,688 S	6/2010	Ingold et al.	
D619,138 S	7/2010	Ingold et al.	
D622,726 S	8/2010	Alegiani et al.	
D628,198 S	11/2010	Fitch et al.	
D629,001 S	12/2010	Palmer et al.	
D633,502 S	3/2011	Alegiani	
D633,915 S	3/2011	Alegiani et al.	
D634,744 S	3/2011	Palmer et al.	
7,903,033 B2 *	3/2011	Bellows	H01Q 1/2225 343/702

D638,422 S	5/2011	Reed et al.	
D643,034 S	8/2011	Tasselli et al.	
8,098,237 B2	1/2012	Payne	
D658,174 S	4/2012	Tasselli et al.	
D662,099 S	6/2012	Cullen et al.	
D664,145 S	7/2012	Cullen et al.	
D673,955 S	1/2013	Mangaroo et al.	
D676,850 S	2/2013	Minafo et al.	
D677,663 S	3/2013	Minafo et al.	
D697,067 S	1/2014	Minafo et al.	
D704,711 S	5/2014	Minafo et al.	
D709,503 S	7/2014	Chen et al.	
8,781,520 B2	7/2014	Payne et al.	
D716,307 S	10/2014	Paufler et al.	
D732,534 S *	6/2015	Paufler	D14/428
D747,715 S *	1/2016	Borgini	D14/341
D753,119 S *	4/2016	Paufler	D14/426
D754,663 S *	4/2016	Graves	D14/426
2003/0089775 A1	5/2003	Yeakley et al.	
2003/0121981 A1 *	7/2003	Slutsky	G06K 7/10851 235/462.45
2006/0054704 A1	3/2006	Fitch et al.	
2009/0168337 A1	7/2009	Conti et al.	
2010/0020488 A1	1/2010	Mangaroo et al.	
2012/0088547 A1	4/2012	Lee et al.	
2012/0286043 A1 *	11/2012	Leonardi	G06K 7/0008 235/440
2013/0038274 A1 *	2/2013	Forsythe	H02J 7/0004 320/107
2013/0135207 A1 *	5/2013	Neil	H03K 17/98 345/168
2013/0341399 A1 *	12/2013	Xian	G06K 7/1098 235/449
2014/0039693 A1 *	2/2014	Havens	H01R 43/002 700/280
2014/0185234 A1	7/2014	Lee et al.	
2014/0217180 A1 *	8/2014	Liu	E05B 73/0005 235/472.01

OTHER PUBLICATIONS

Datalogic Memor X3 (Rugged PC Review), available Oct. 2009, [online], [site visited May 20, 2015]. Available from internet, <URL: http://www.ruggedpcreview.com/3_handhelds_datalogic_memor_new.html.

Datalogic Memor X3 (Rugged PC Review), available Apr. 15, 2014, [online], [site visited May 20, 2015]. Available from internet, <URL: http://www.ruggedpcreview.com/3_handhelds_datalogic_memor_x3.html.

Handheld Group Nautiz X3 (Rugged PC Review), available Oct. 2010, [online], [site visited May 20, 2015]. Available from internet, <URL: http://www.ruggedpcreview.com/3_handhelds_handheldus_nautiz_x3.html.

WDT3200 Mobile Computer (YouTube), available Sep. 10, 2012, [online], [site visited May 20, 2015]. Video available from internet, <URL: <https://www.youtube.com/watch?v=JO59Uzys6b8>.

Datalogic Falcon X3 (YouTube), available Jun. 5, 2013, [online], [site visited May 20, 2015]. Video available from internet, <URL: <https://www.youtube.com/watch?v=vVERCYzQM1Q>.

Datalogic Lynx POA (Rugged PC Review), available Dec. 2012, [online], [site visited May 20, 2015]. Available from internet, <URL: http://www.ruggedpcreview.com/3_handhelds_datalogic_lynx.html.

* cited by examiner

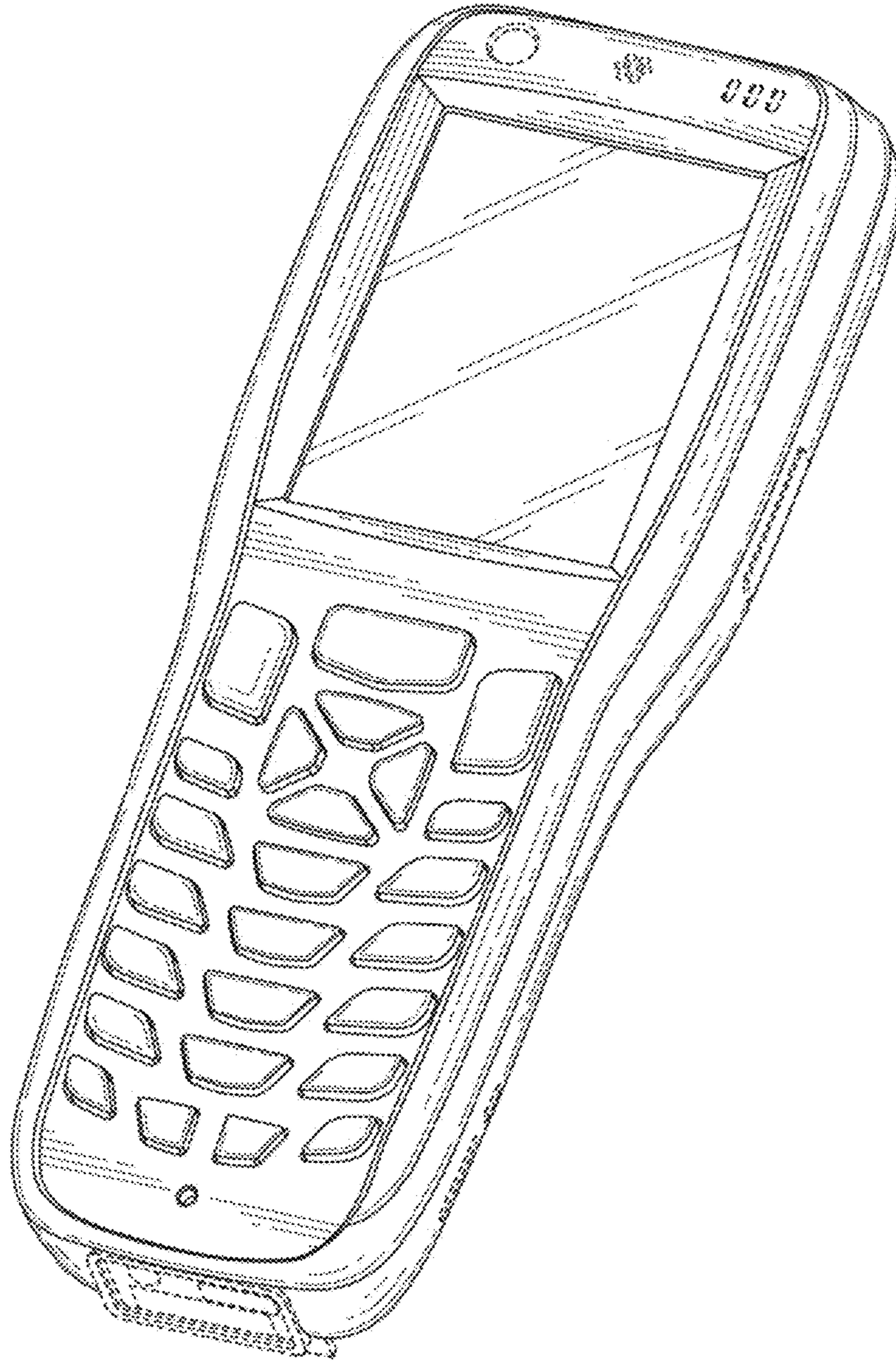


FIG. 1

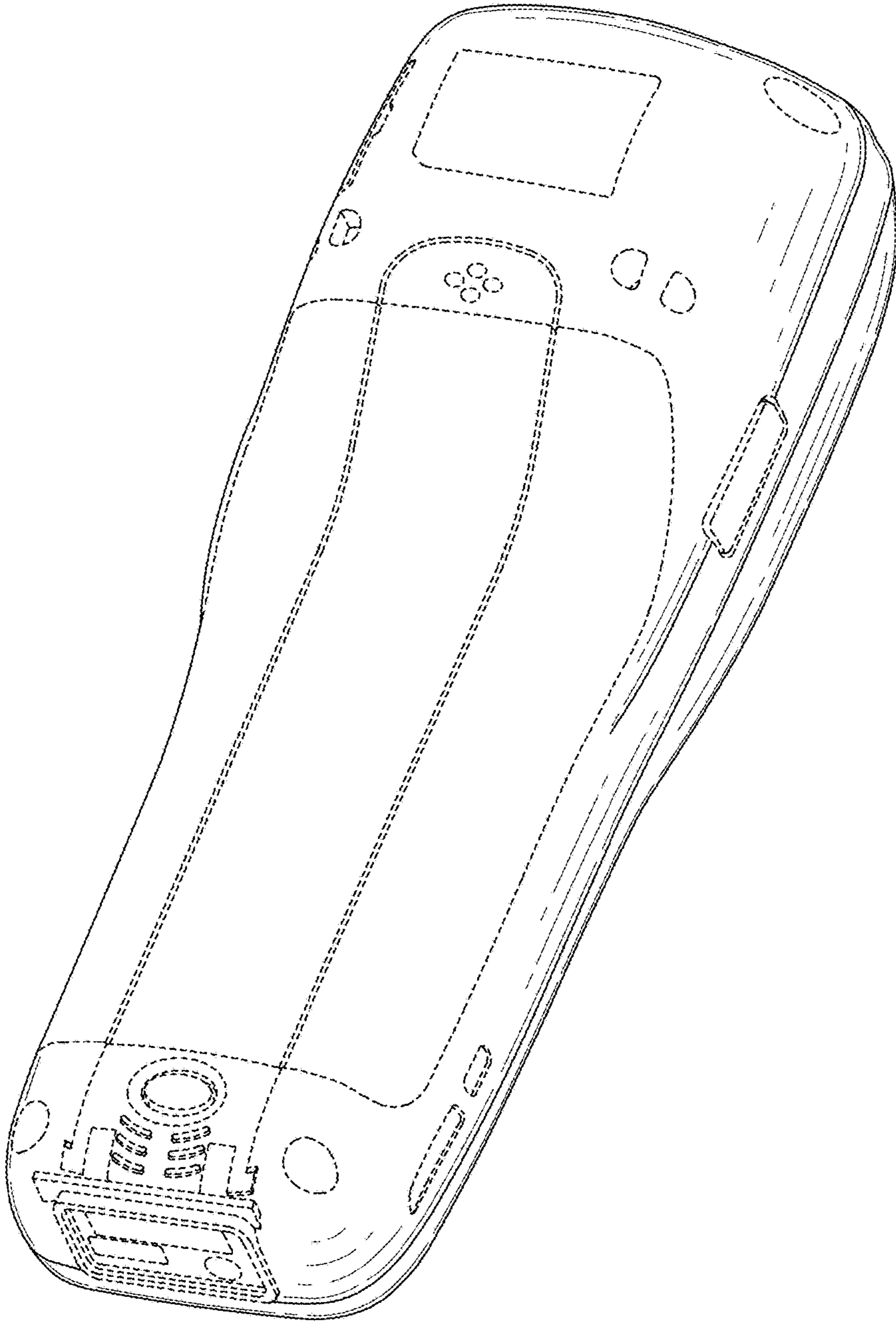


FIG. 2

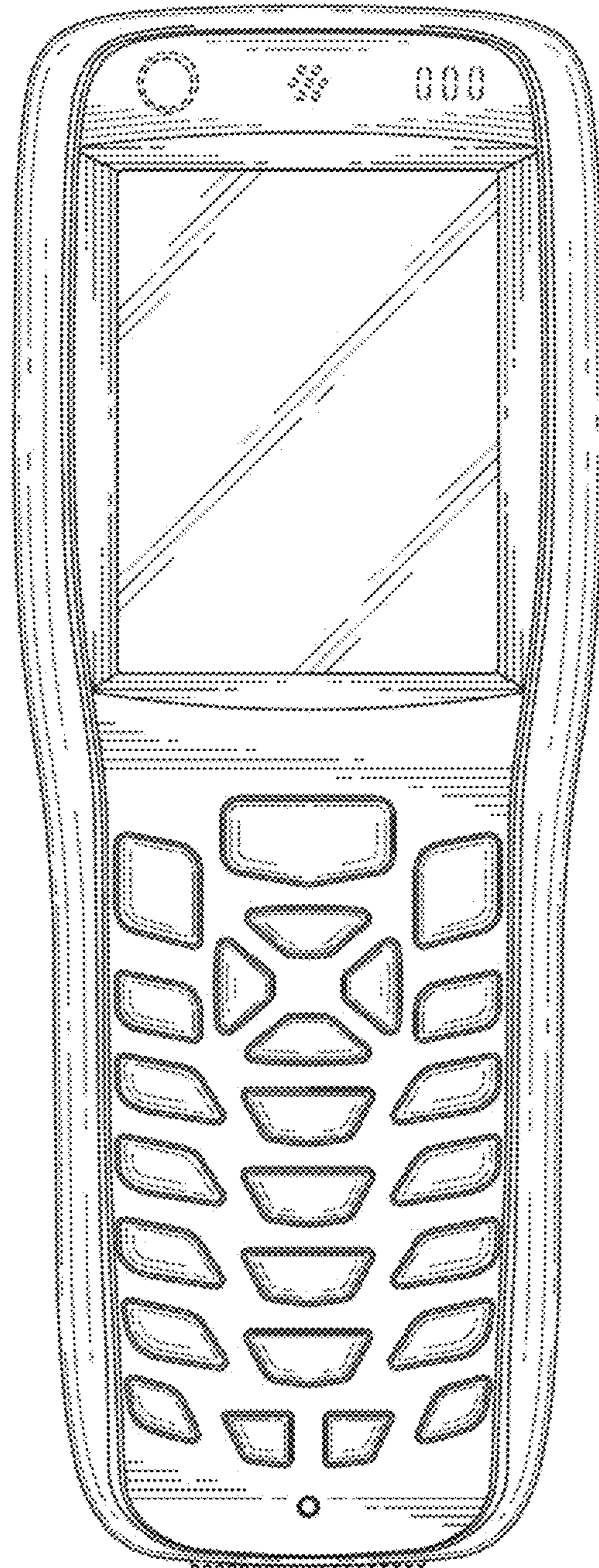


FIG. 3

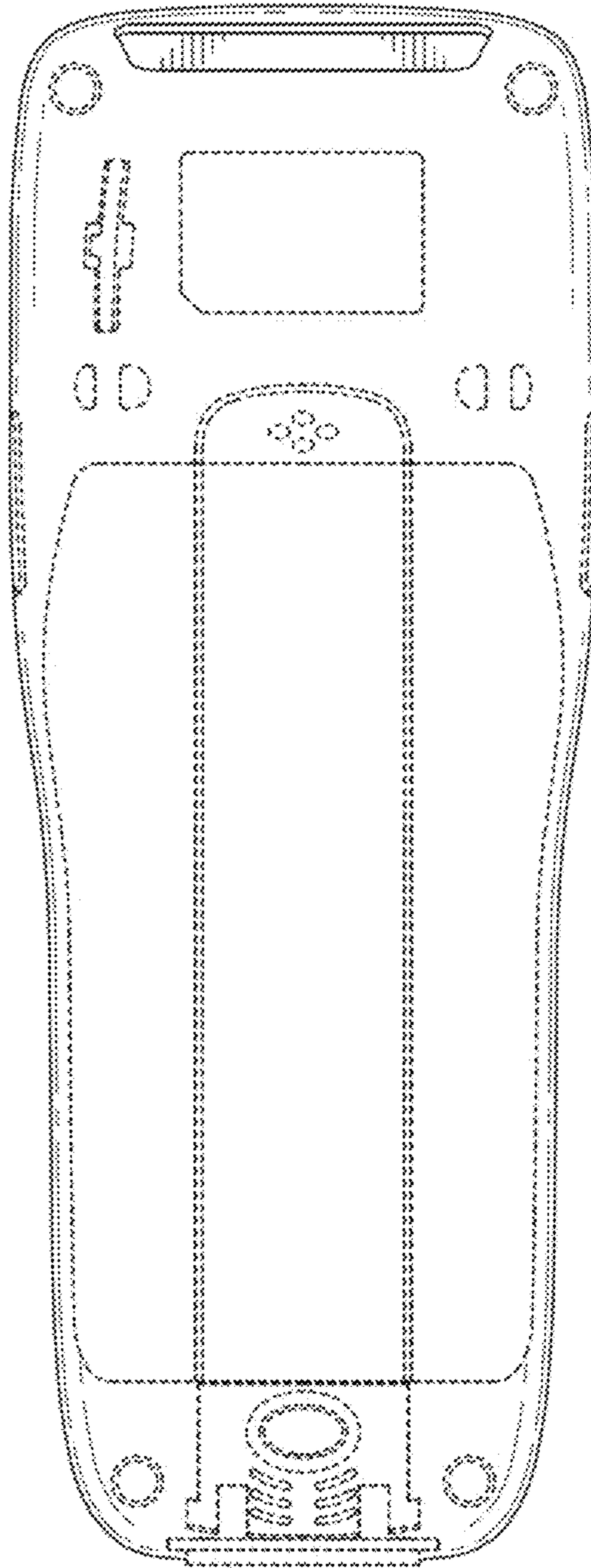


FIG. 4

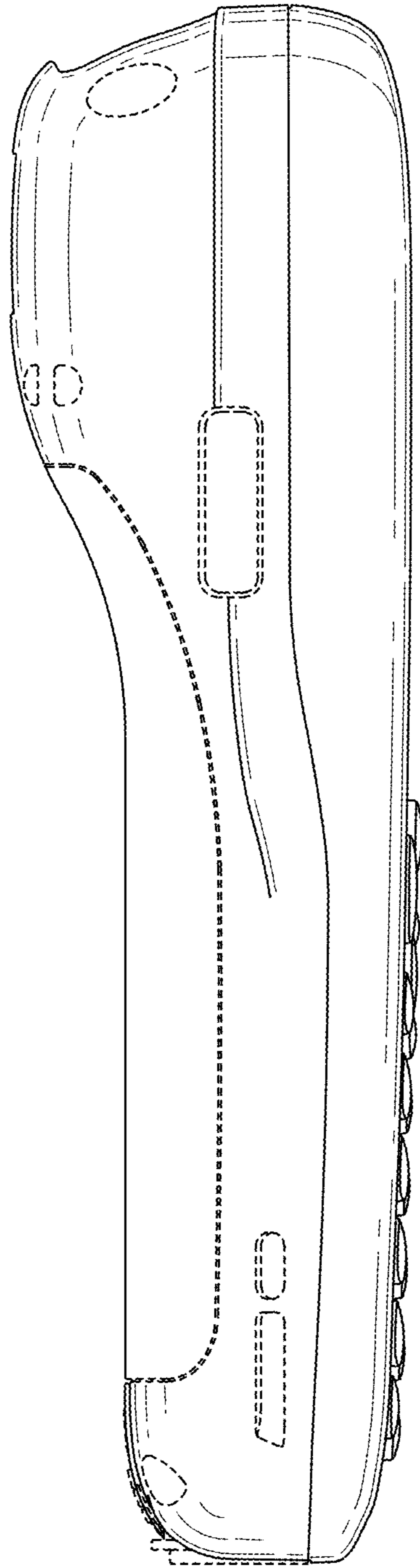


FIG. 5

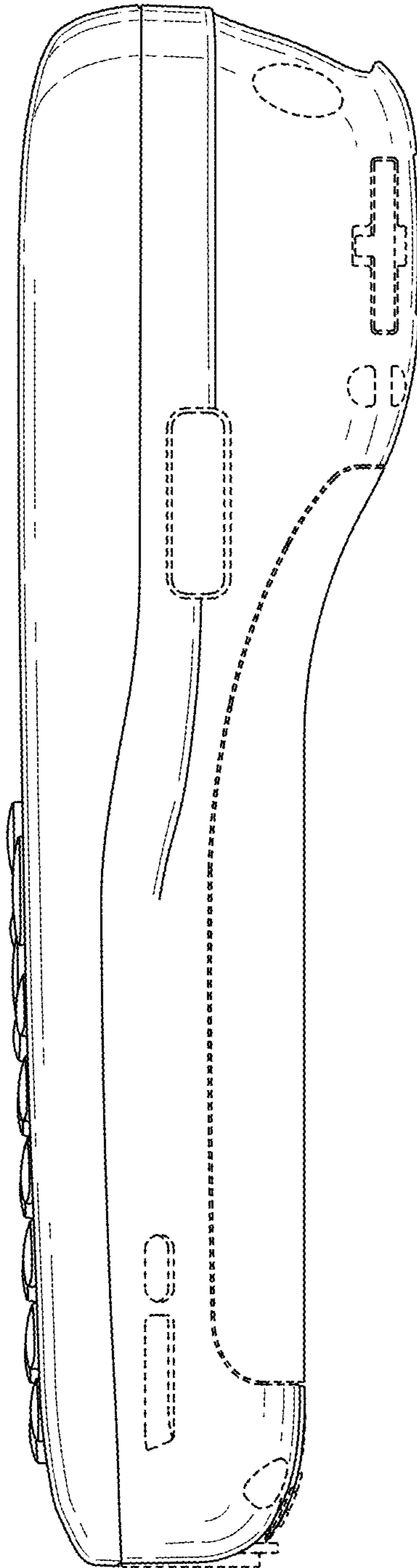


FIG. 6

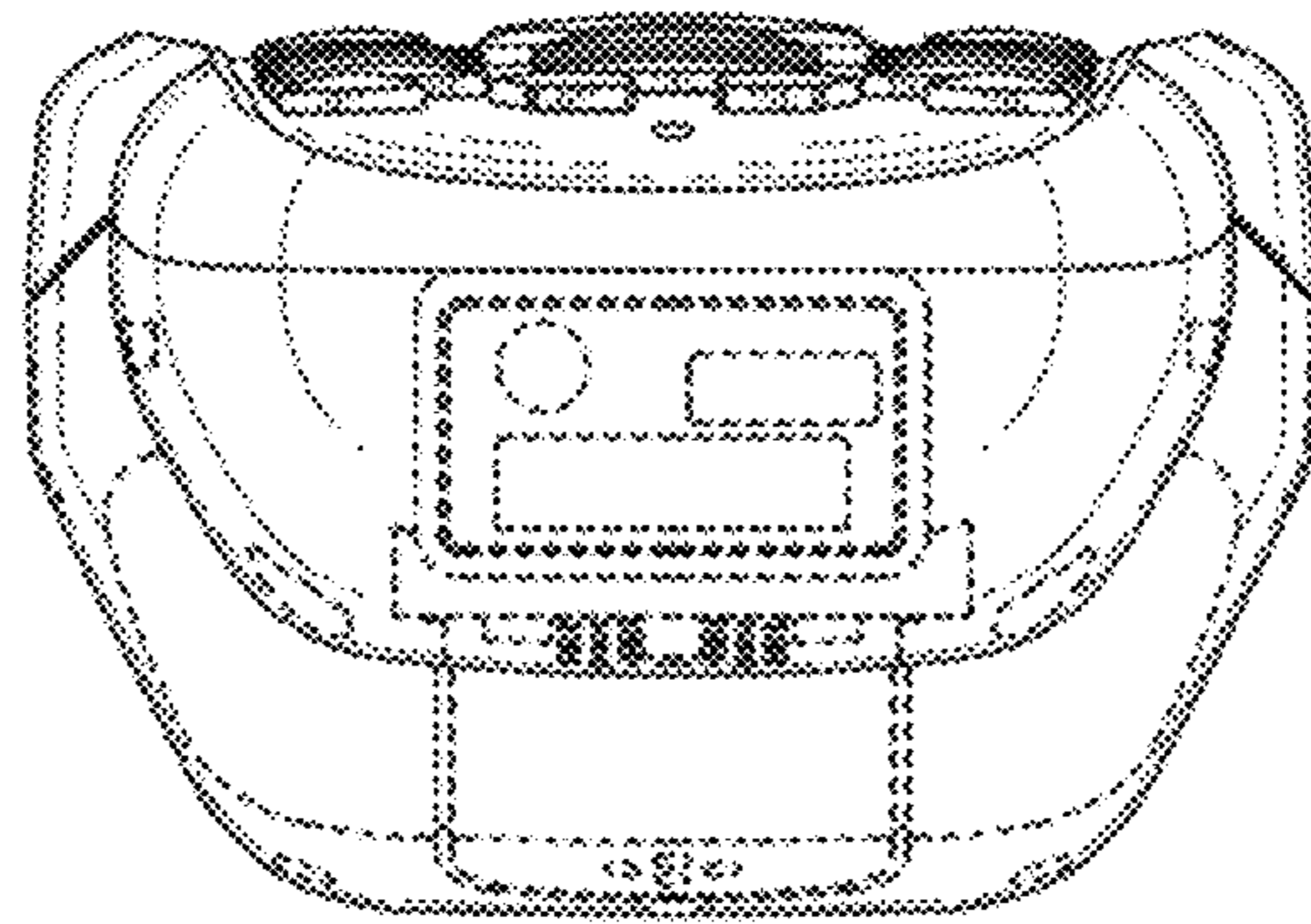


FIG. 7

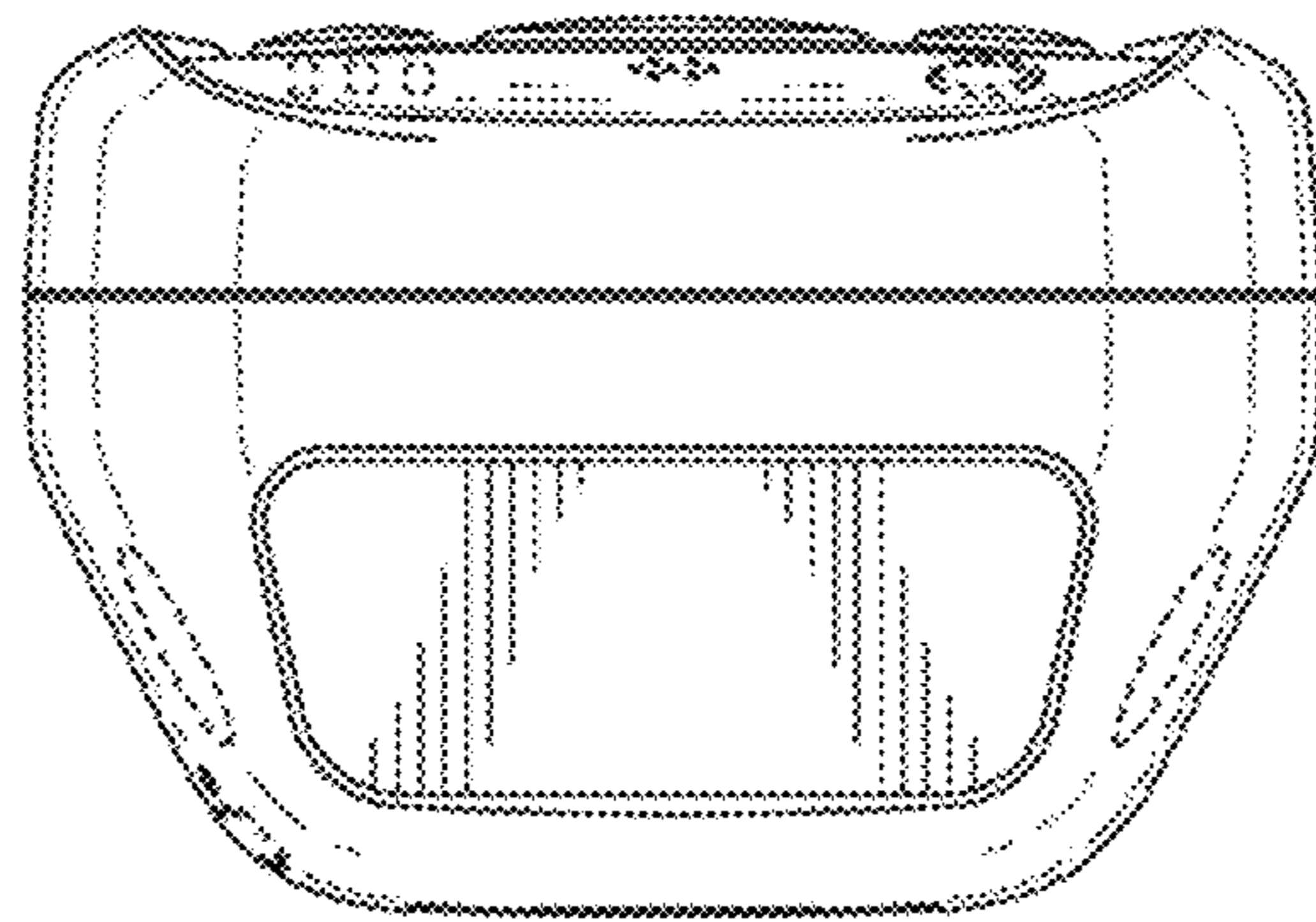


FIG. 8

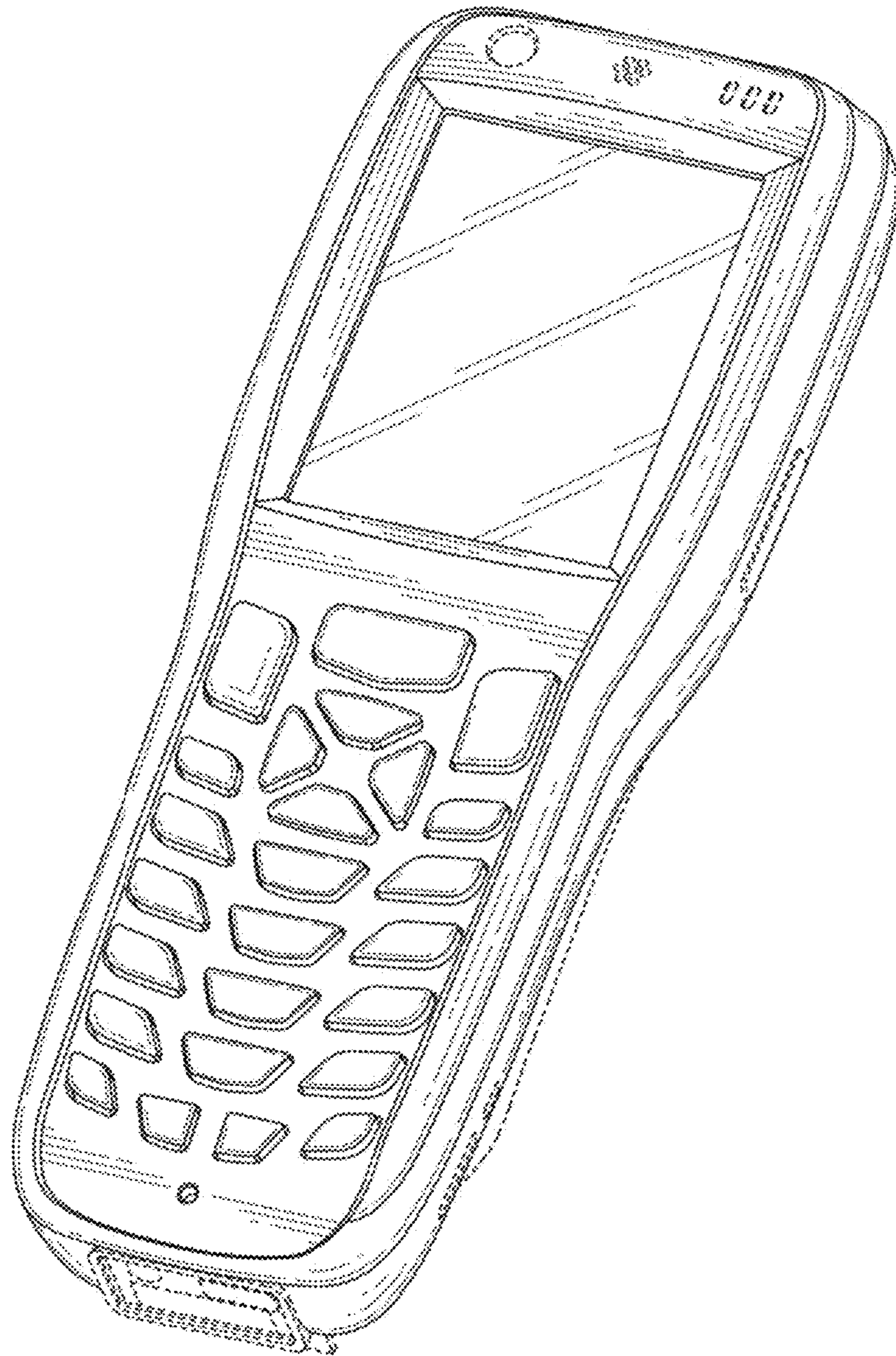


FIG. 9

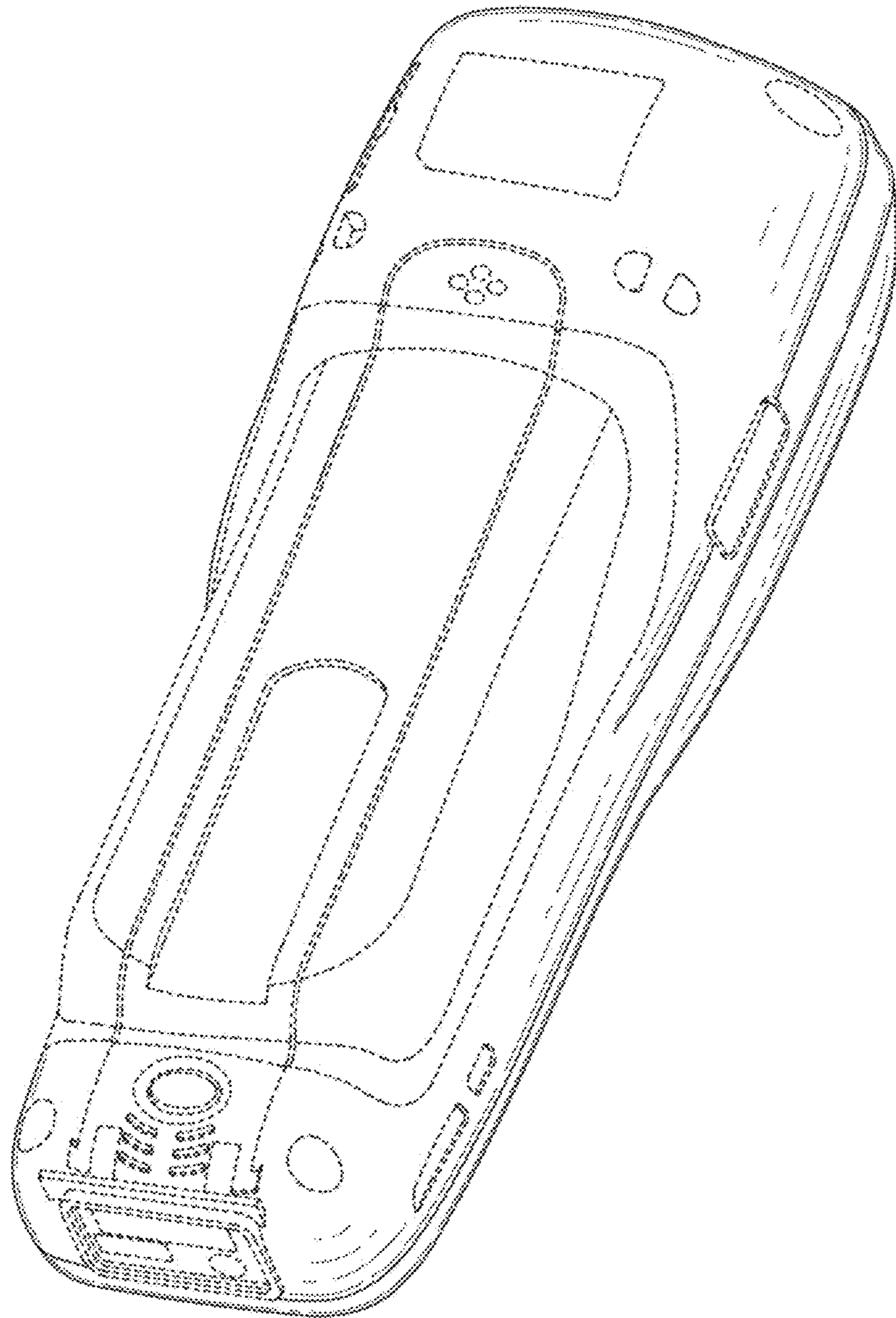


FIG. 10

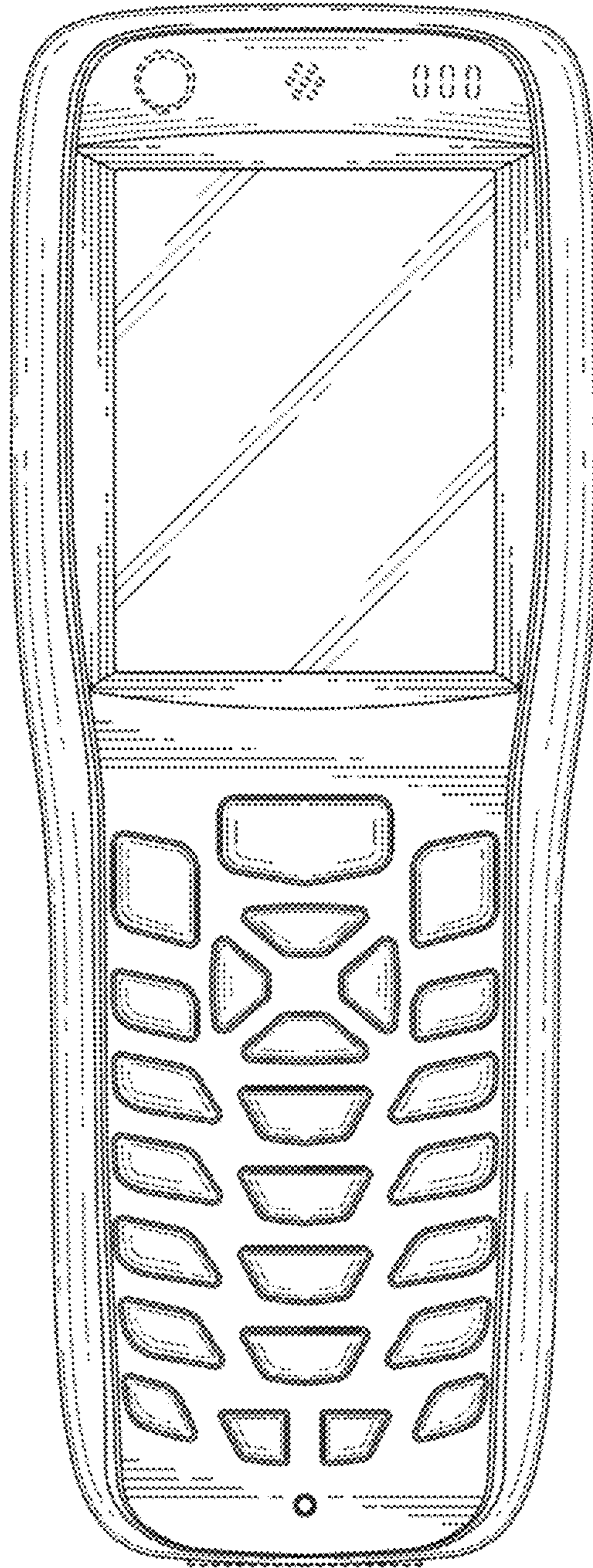


FIG. 11

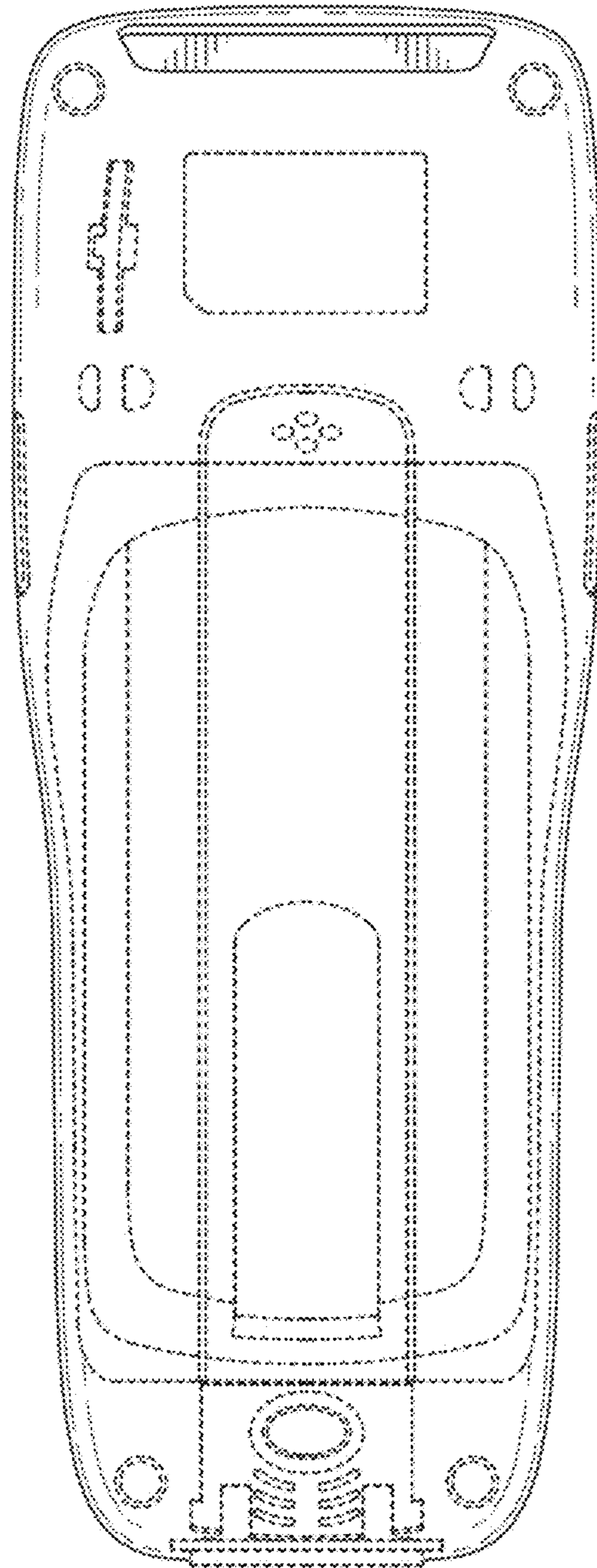


FIG. 12

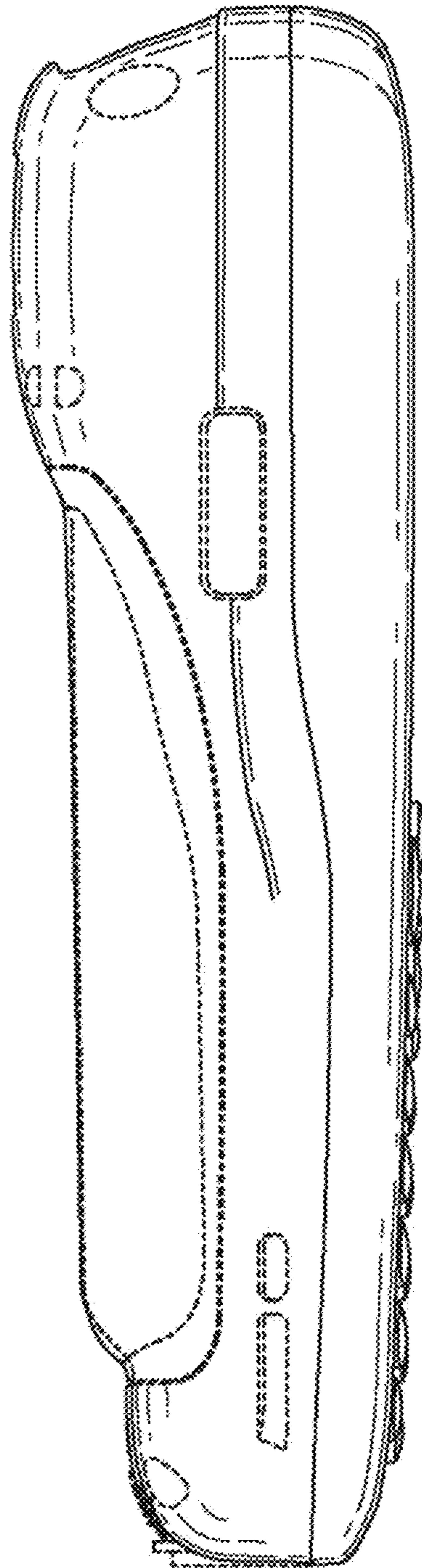


FIG. 13

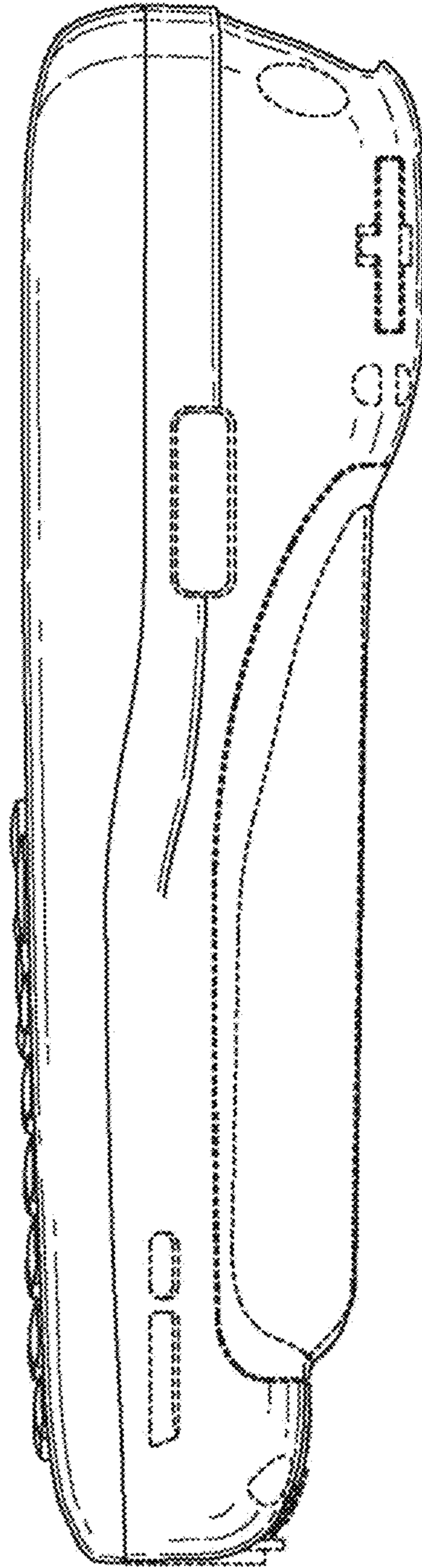


FIG. 14

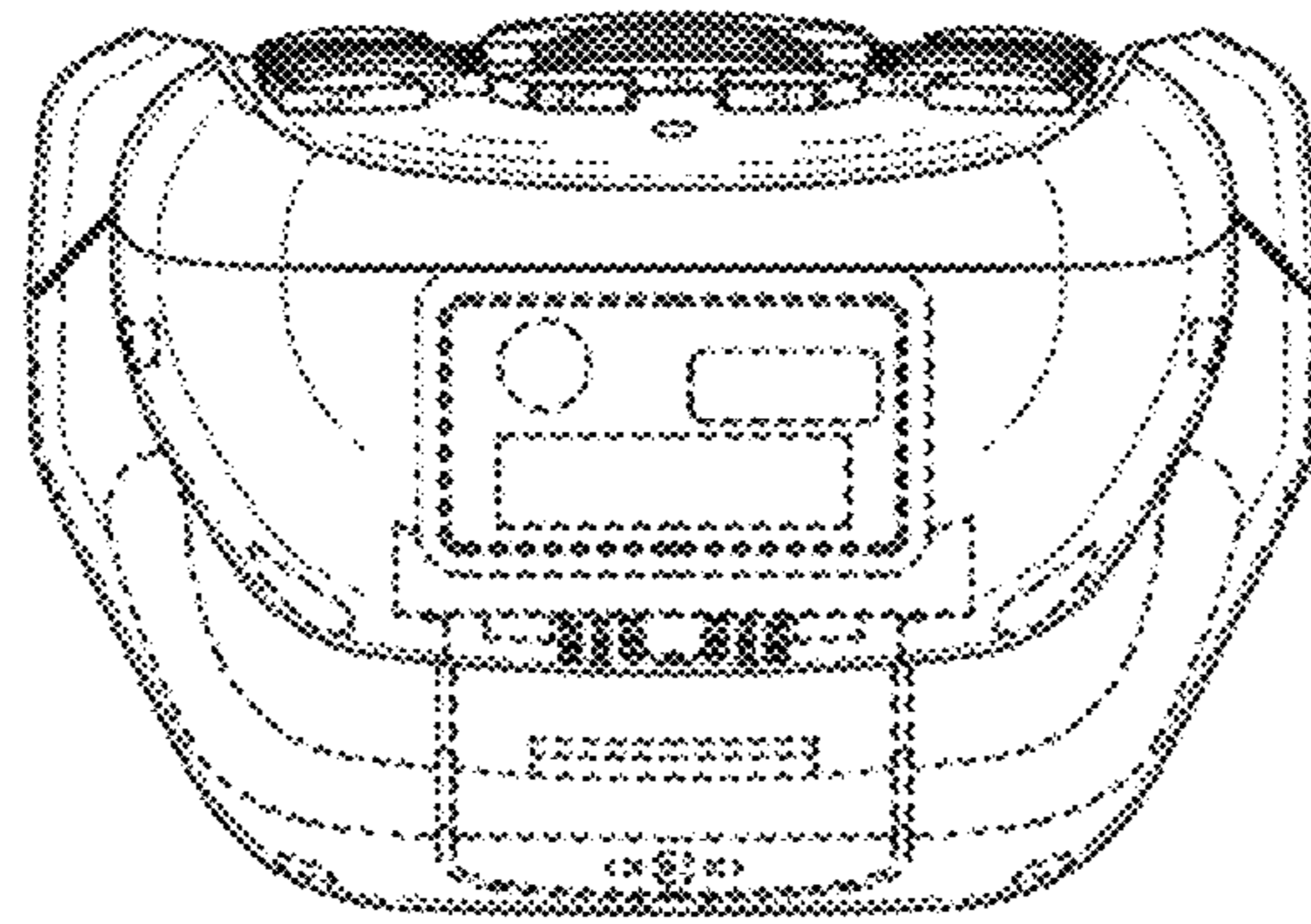


FIG. 15

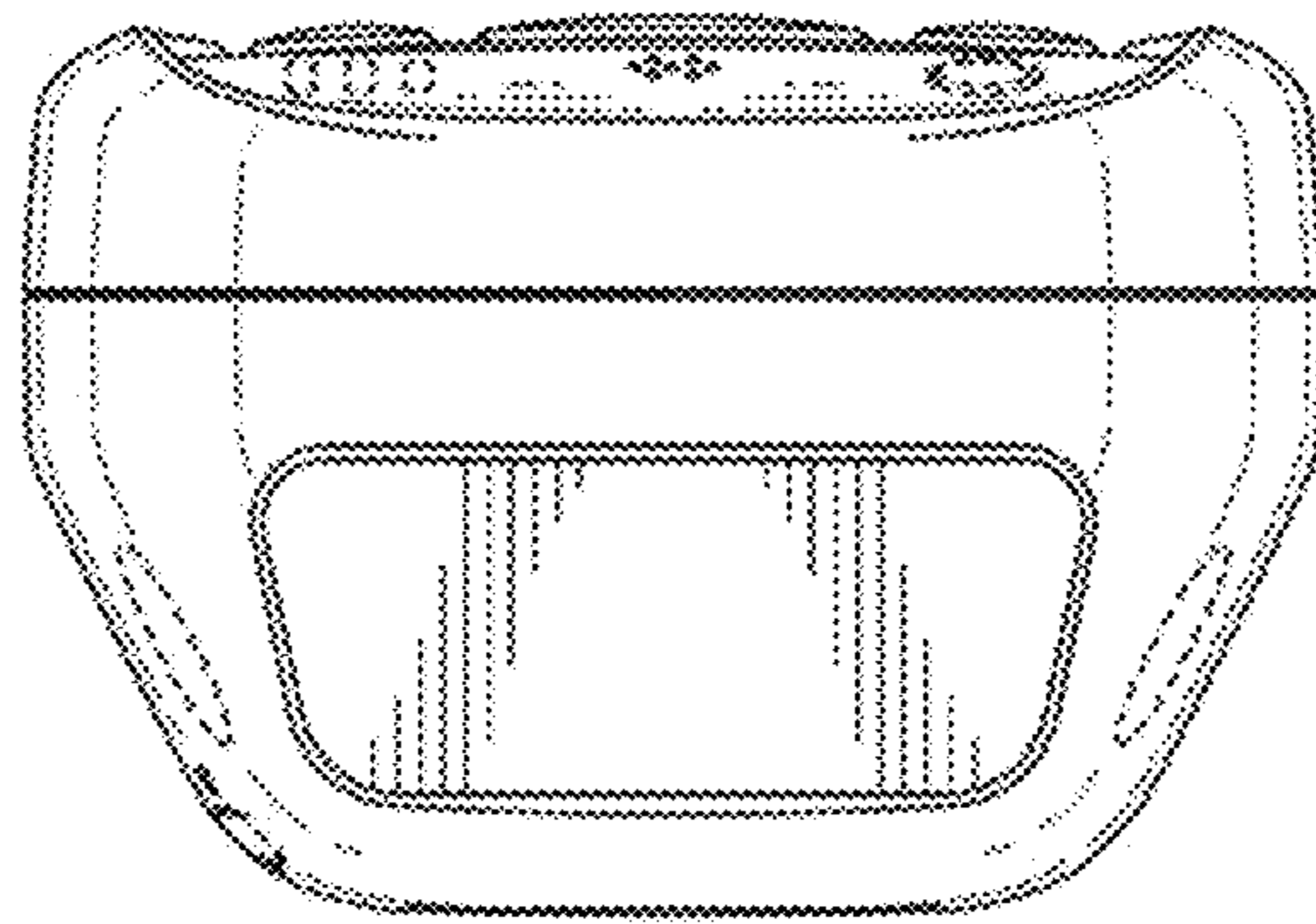


FIG. 16