



US00D774506S

(12) **United States Design Patent** (10) **Patent No.:** **US D774,506 S**
Leeb et al. (45) **Date of Patent:** **** Dec. 20, 2016**

(54) **WORD PROCESSING DEVICE**
(71) Applicant: **Astrohaus Inc.**, Orchard Lake, MI (US)
(72) Inventors: **Adam Leeb**, Orchard Lake, MI (US);
Jonathan Grossman, San Francisco,
CA (US); **Mark Hearn**, San Francisco,
CA (US)
(73) Assignee: **Astrohaus Inc.**, Orchard Lake, MI (US)
(**) Term: **15 Years**
(21) Appl. No.: **29/536,219**

(22) Filed: **Aug. 14, 2015**
(51) **LOC (10) Cl.** **14-02**
(52) **U.S. Cl.**
USPC **D14/334**
(58) **Field of Classification Search**
USPC ... D14/333-335, 391-399, 455, 456; D18/1,
D18/2, 7, 11, 4.3-4.6, 12.3; 178/17 A,
178/17 C; 200/5 A, 5 R, 6 A, 6 R;
235/145 A, 145 R; 341/20-23; 345/156,
345/160, 168, 169, 173; 361/679.08,
361/679.09, 679.11-679.19; 400/484-489,
400/492, 472; D24/185, 186
CPC G06F 1/16; G06F 1/1616; G06F 1/162;
G06F 1/1601; G06F 1/1626; G06F
3/0202; G09B 13/04; H03M 11/00; H03K
17/94; H05K 5/00; H01H 3/125; H01H
13/705; B41J 5/08
See application file for complete search history.

(56) **References Cited**
U.S. PATENT DOCUMENTS
D237,109 S * 10/1975 Genaro et al. D14/472
D278,830 S * 5/1985 Funato D18/1
D310,350 S * 9/1990 Horie D14/334
D319,046 S * 8/1991 Kapec D14/334
D330,722 S * 11/1992 Je D18/4.6
D334,178 S * 3/1993 Learney D14/334

D334,915 S * 4/1993 Rak D14/137
D433,078 S 10/2000 Pezzolato et al.
D617,369 S 6/2010 Morgan et al.

OTHER PUBLICATIONS

Set Your Thoughts Free, Introducing the Hemingwrite, (/web/
20141215141035*/http://hemingwrite.com/), Nov. 2014, 6 pages
(Accessed from Archive.org; printed on Feb. 9, 2016).
LEEEB, Adam, Set Your Thoughts Free, Hemingwrite—Insert Coin
Introduction, https://web.archive.org/web/20141011223247/http://
hemingwrite.com/, Oct. 10, 2014, 4 pages (Accessed from Archive.
org; printed on Feb. 9, 2016).

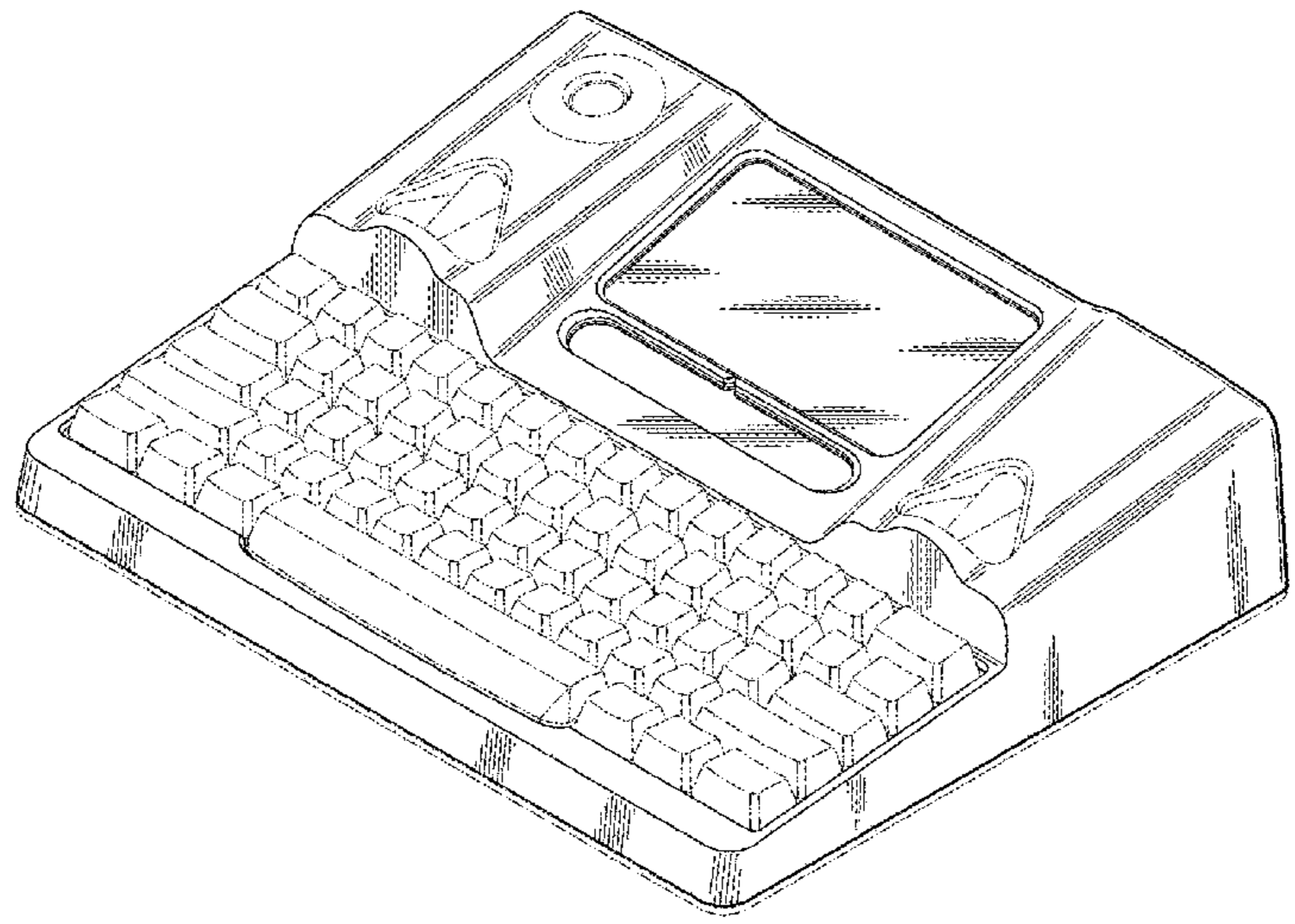
* cited by examiner
Primary Examiner — Freda S Nunn
(74) *Attorney, Agent, or Firm* — Brooks Kushman P.C.

(57) **CLAIM**
The ornamental design for a word processing device, as
shown and described.

DESCRIPTION

FIG. 1 is a perspective view of a word processing device of
an embodiment;
FIG. 2 is a front view of the word processing device of FIG.
1;
FIG. 3 is a rear view of the word processing device of FIG.
1;
FIG. 4 is a right side view of the word processing device of
FIG. 1;
FIG. 5 is a left side view of the word processing device of
FIG. 1;
FIG. 6 is a top view of the word processing device of FIG.
1; and,
FIG. 7 is a bottom view of the word processing device of
FIG. 1.
The broken lines are for illustrative purposes only and form
no part of the claimed design.

1 Claim, 5 Drawing Sheets



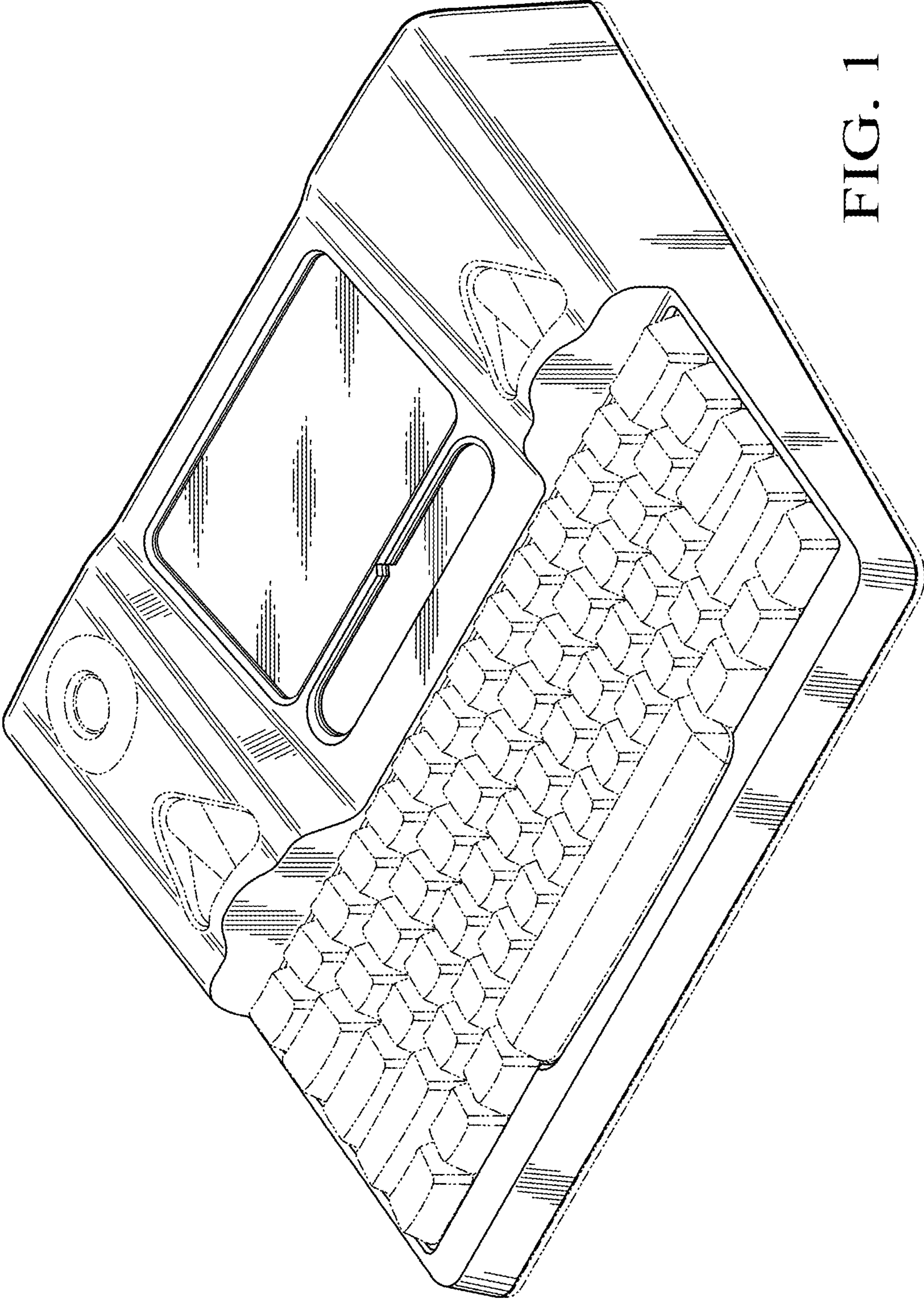


FIG. 1

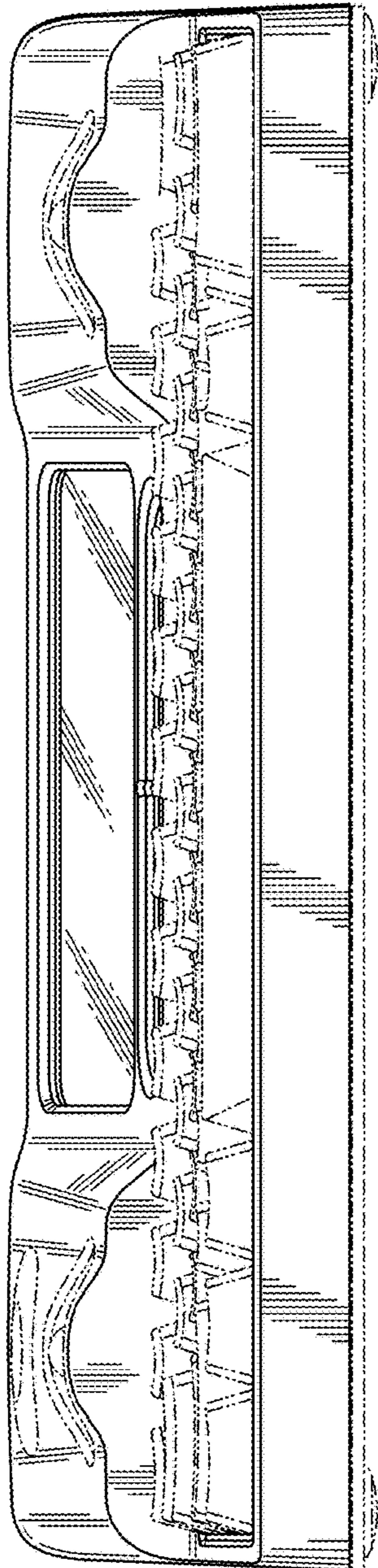


FIG. 2

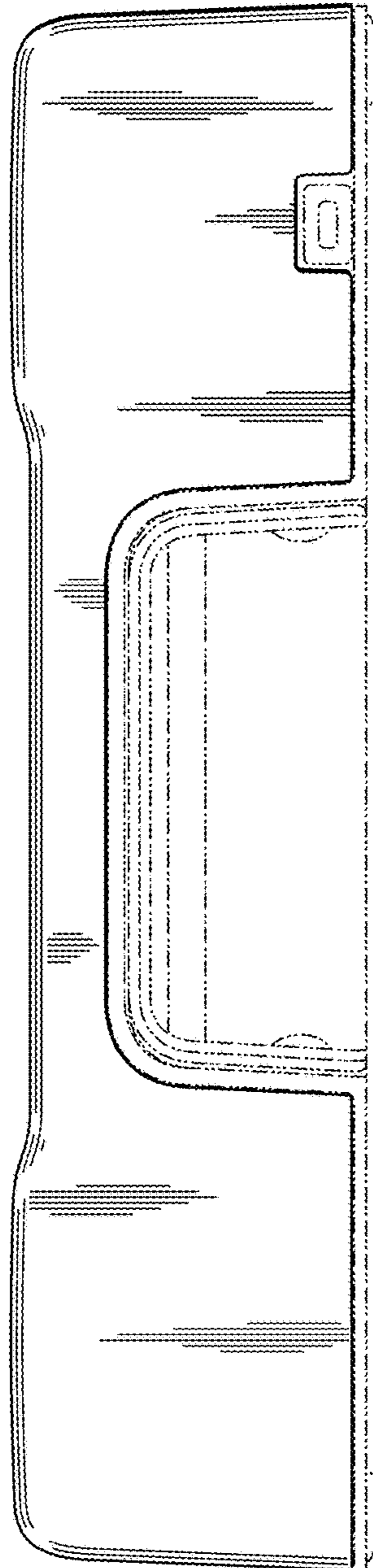


FIG. 3

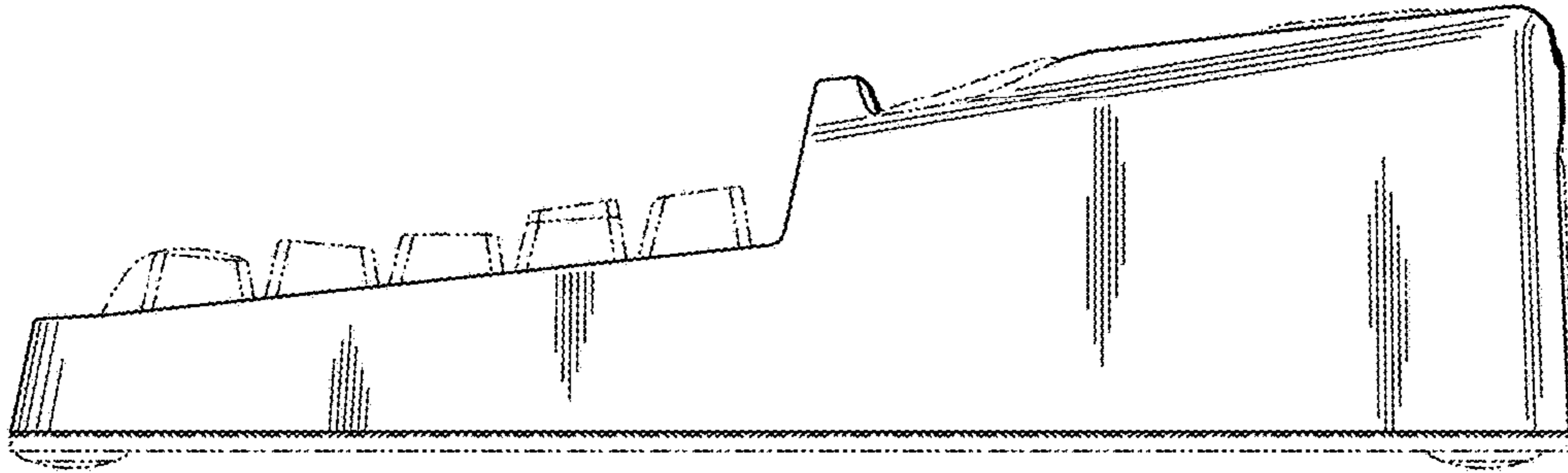


FIG. 4

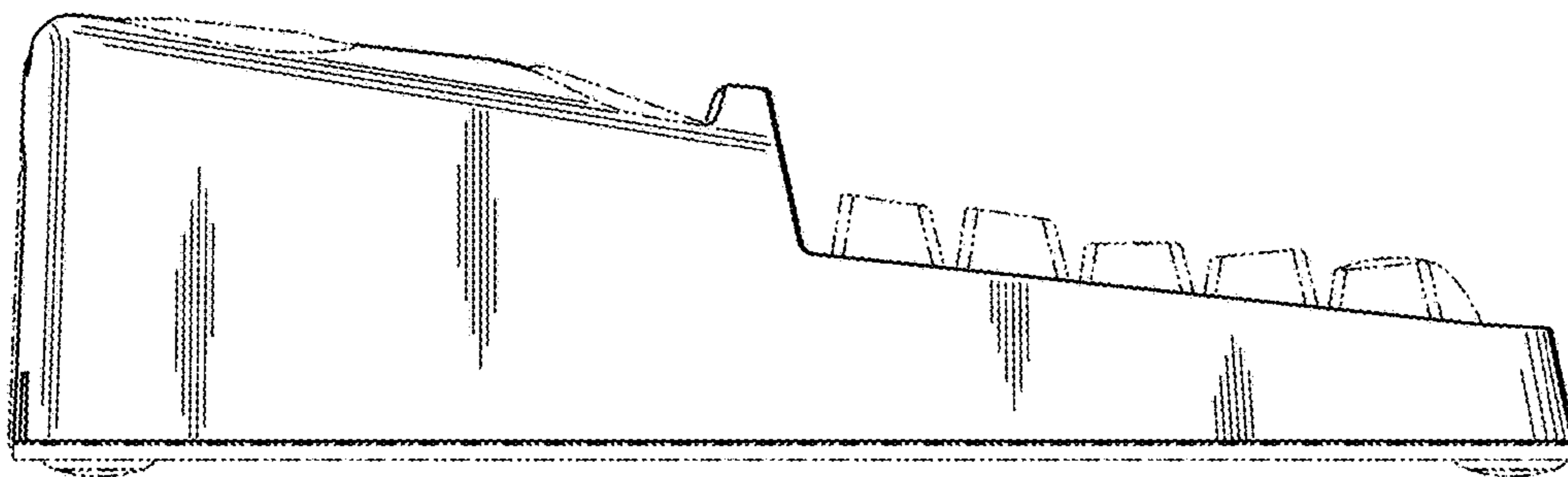


FIG. 5

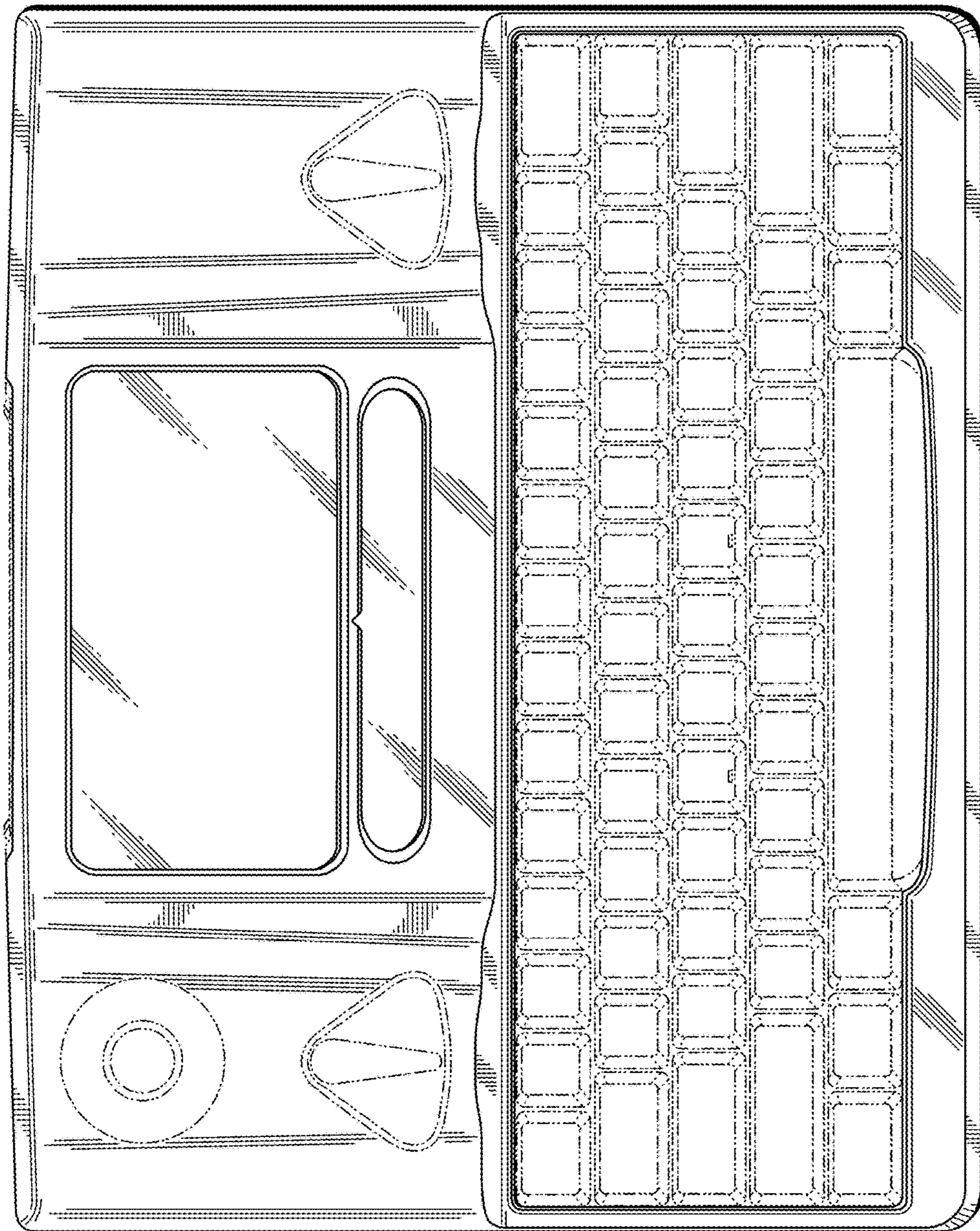


FIG. 6

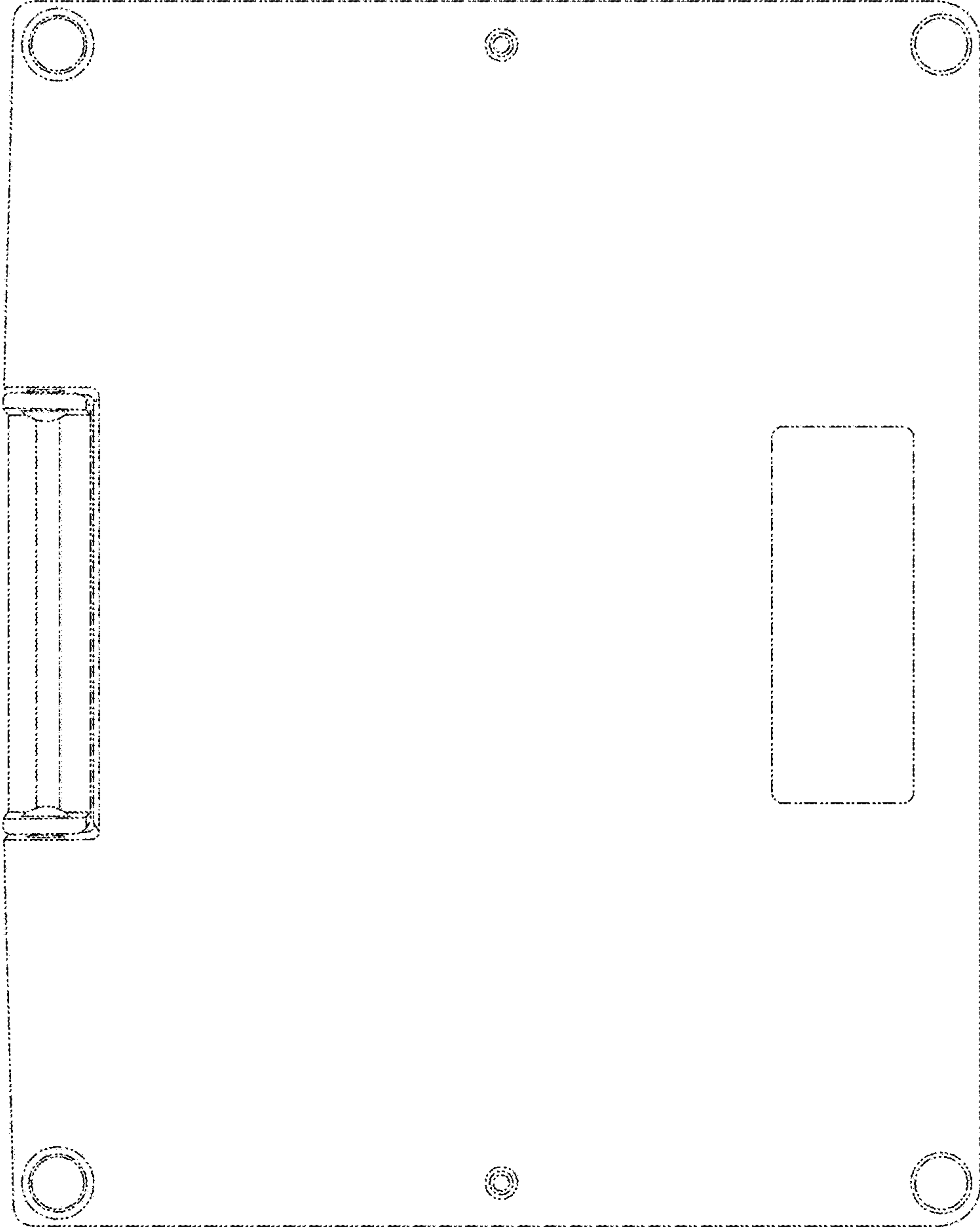


FIG. 7